



US00D676318S

(12) **United States Design Patent**
MacNeill et al.

(10) **Patent No.:** **US D676,318 S**
(45) **Date of Patent:** **** Feb. 19, 2013**

(54) **CAP**

(75) Inventors: **Ronald MacNeill**, Kingston, NH (US);
Tuna Sava, Newburyport, MA (US)

(73) Assignee: **UFP Technologies, Inc.**, Georgetown,
MA (US)

(**) Term: **14 Years**

(21) Appl. No.: **29/388,636**

(22) Filed: **Mar. 31, 2011**

(51) **LOC (9) Cl.** **09-06**

(52) **U.S. Cl.** **D9/446**

(58) **Field of Classification Search** D9/454,
D9/453, 449, 447, 446, 443, 440, 439, 417;
D7/396.2, 392.1; 222/556, 484; 220/837,
220/715, 259.2, 254.2-254.5; 215/306, 235,
215/236

See application file for complete search history.

(56) **References Cited**

U.S. PATENT DOCUMENTS

2,789,717	A *	4/1957	Demke	215/235
D188,393	S *	7/1960	Fagan	D3/264
3,078,879	A	2/1963	Mallard		
3,145,872	A *	8/1964	Hayes	220/375
3,319,328	A	5/1967	Finger et al.		
3,416,688	A *	12/1968	Fanning	215/306
3,574,312	A	4/1971	Miller		
4,269,232	A	5/1981	Witschi		
4,615,460	A	10/1986	Bucellato et al.		
5,439,031	A	8/1995	Steele et al.		
5,803,126	A	9/1998	Zaro		
5,866,218	A	2/1999	Meuth		
D435,444	S *	12/2000	Newville et al.	D9/446
D464,262	S *	10/2002	Drennow	D9/446
7,472,797	B2 *	1/2009	Ostrowski	215/306
D643,722	S *	8/2011	Gorskey et al.	D9/446
2012/0247607	A1 *	10/2012	MacNeill et al.	138/96 R

FOREIGN PATENT DOCUMENTS

EP 0 633 126 A1 1/1995

OTHER PUBLICATIONS

Plastic Caps, retrieved from MOCAP Manufacturer of Quality Plastic and Rubber Products on May 11, 2011 using Internet <URL:http://www.mocap.com/mocap-plastic-caps.html>.

Threaded or Tri-Clamp Closures from L.C. Penner Co. on May 11, 2011 using Internet <URL:http://www.lcpenner.com/LCP/closures.html>.

* cited by examiner

Primary Examiner — Susan Bennett Hattan

(74) Attorney, Agent, or Firm — Howard & Howard Attorneys PLLC

(57) **CLAIM**

We claim the ornamental design for a cap, as shown and described.

DESCRIPTION

FIG. 1 is a perspective view of the cap.

FIG. 2 is a perspective view of the cap.

FIG. 3 is a bottom view of the cap.

FIG. 4 is a side view of the cap and is an identical minor image of an opposite side view of the cap not shown in the FIGS. 1-8.

FIG. 5 is a top view of the cap.

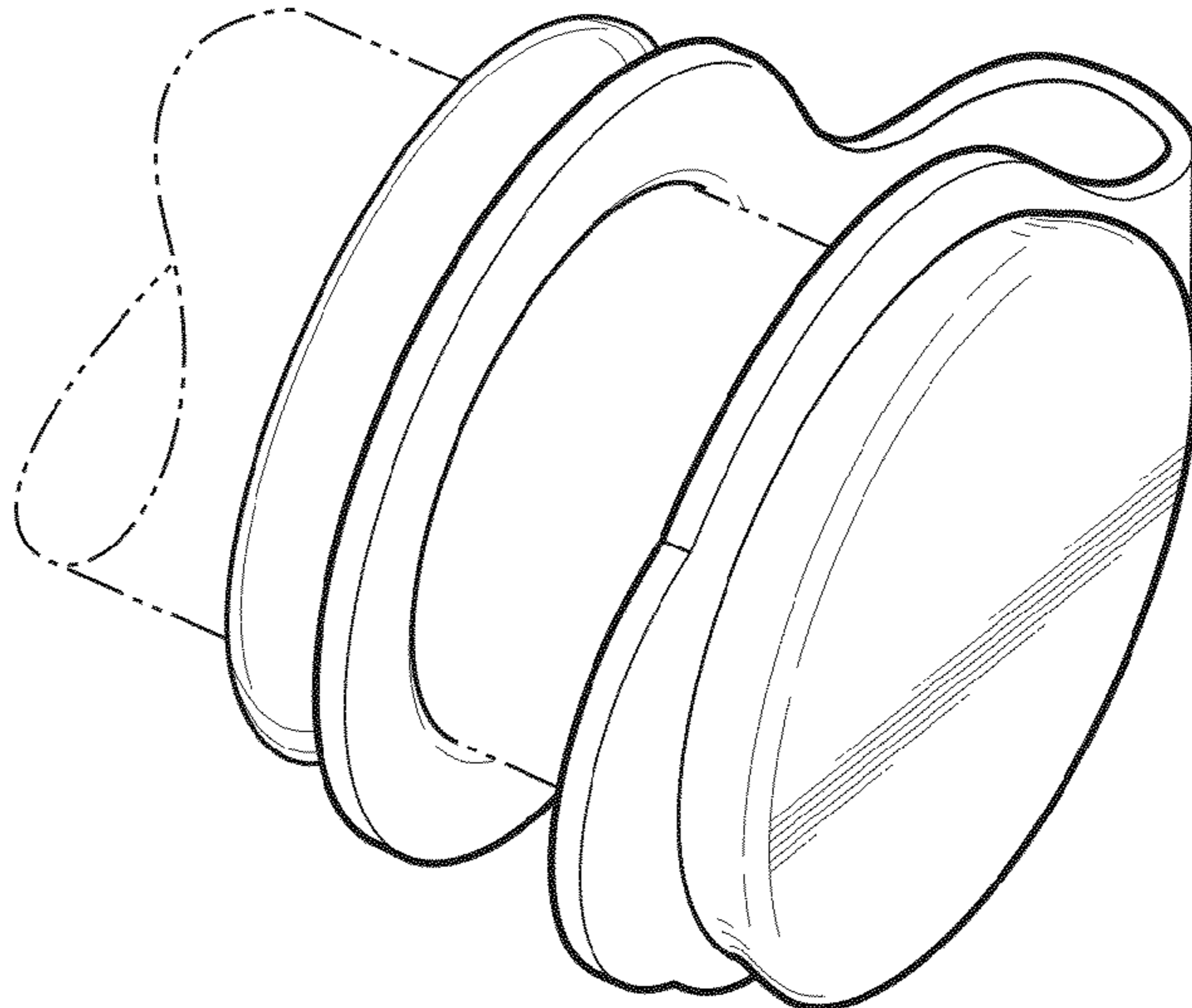
FIG. 6 is a front rear view of the cap.

FIG. 7 is a front view of the cap; and,

FIG. 8 is a cross sectional view of the cap taken along line 8-8 of FIG. 5 to illustrate the configuration of the exterior surface of the cap not apparent from the other views of the cap.

The broken lines describing a sanitary end, as shown in FIG. 1, are for illustrative purposes only and form no part of the claimed design.

1 Claim, 2 Drawing Sheets



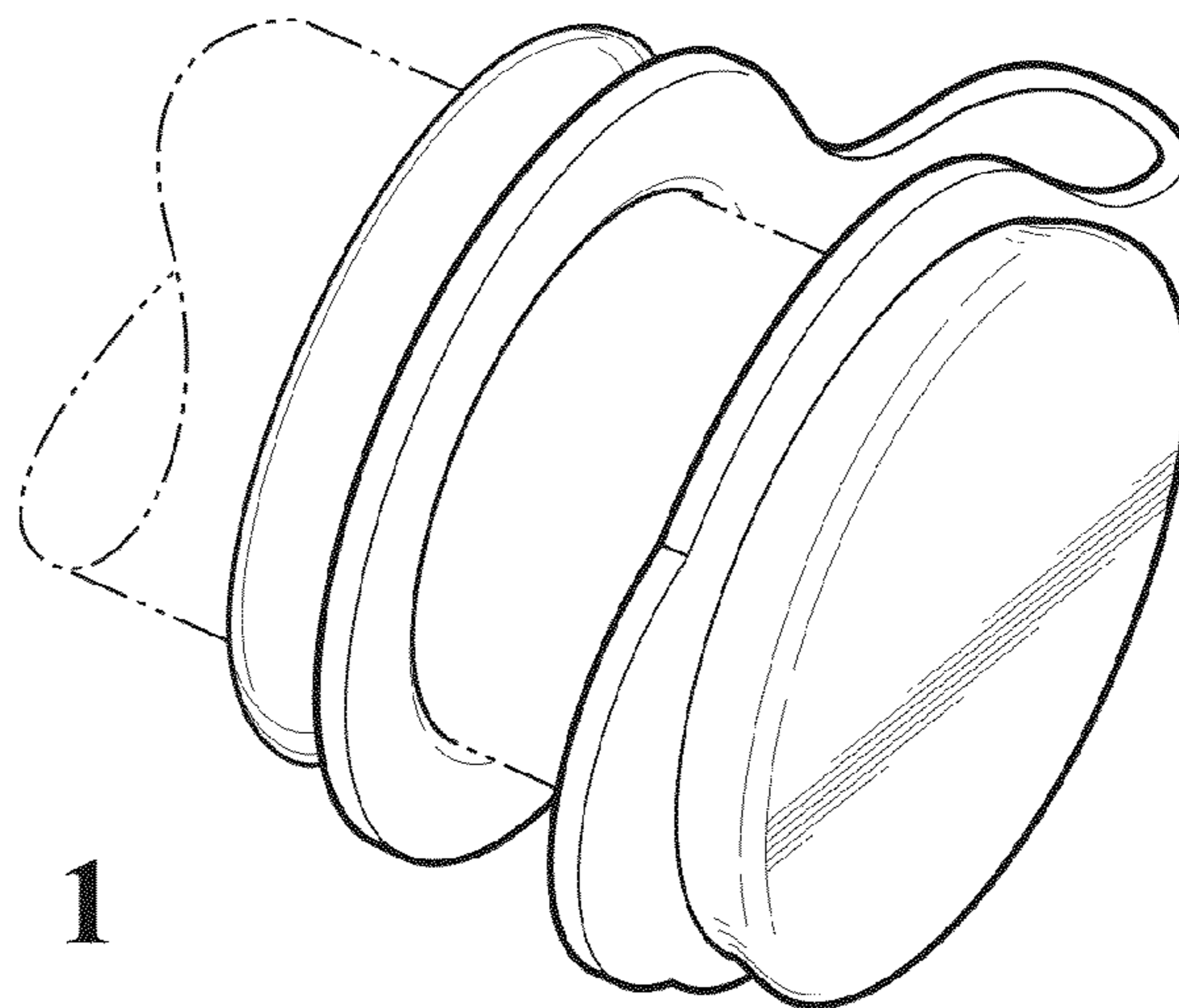


FIG. 1

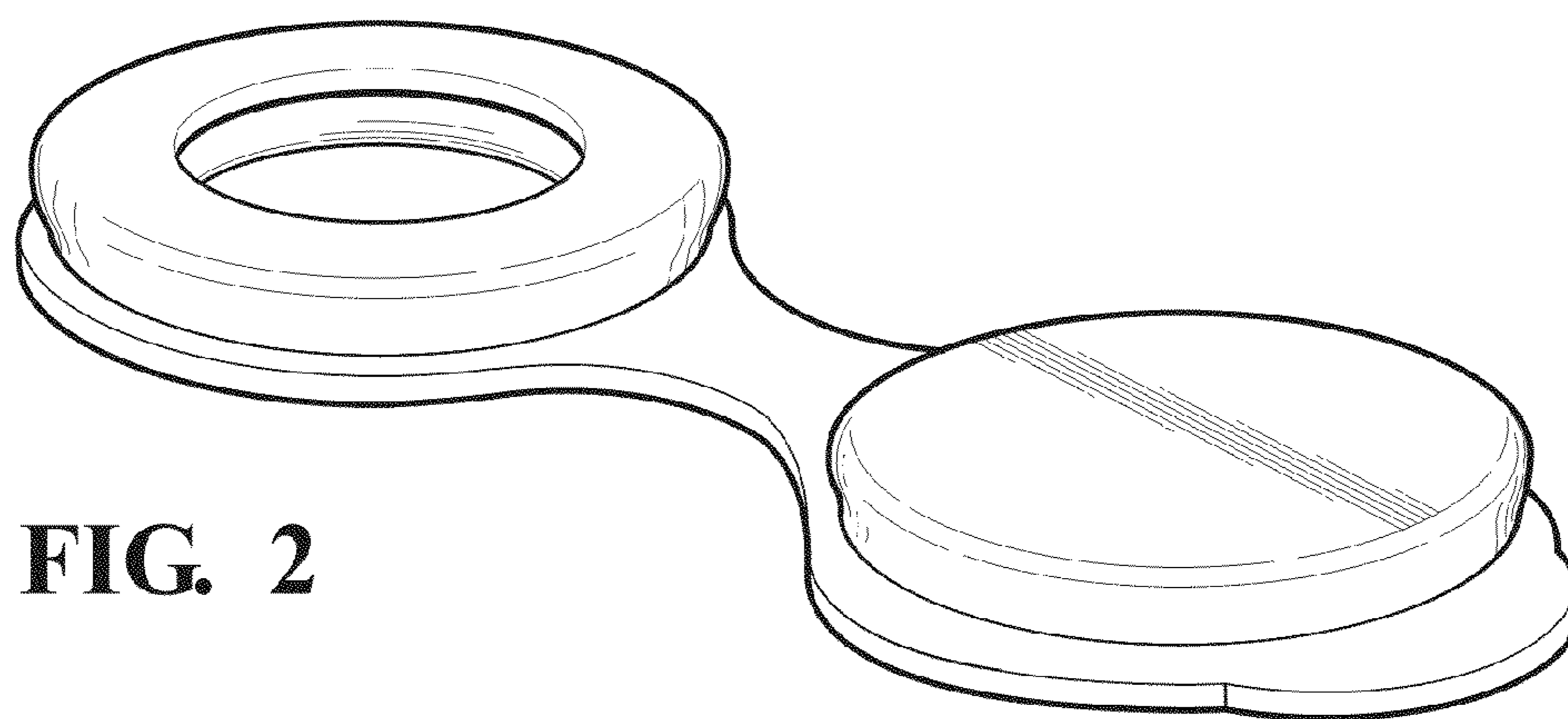
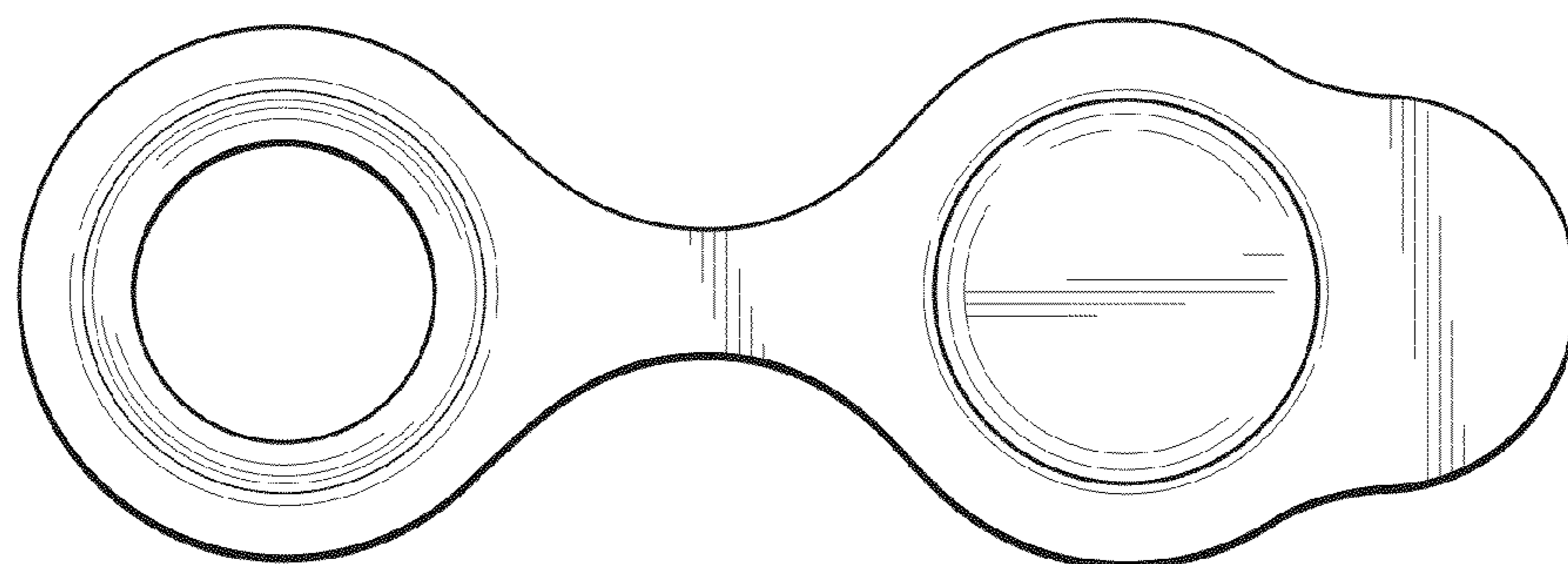


FIG. 2

FIG. 3



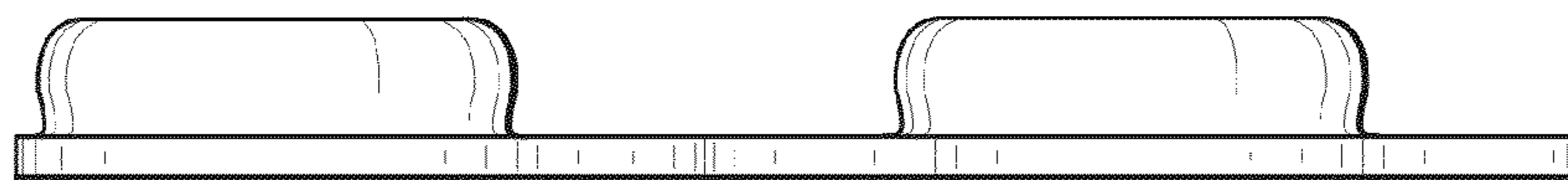


FIG. 4

FIG. 5

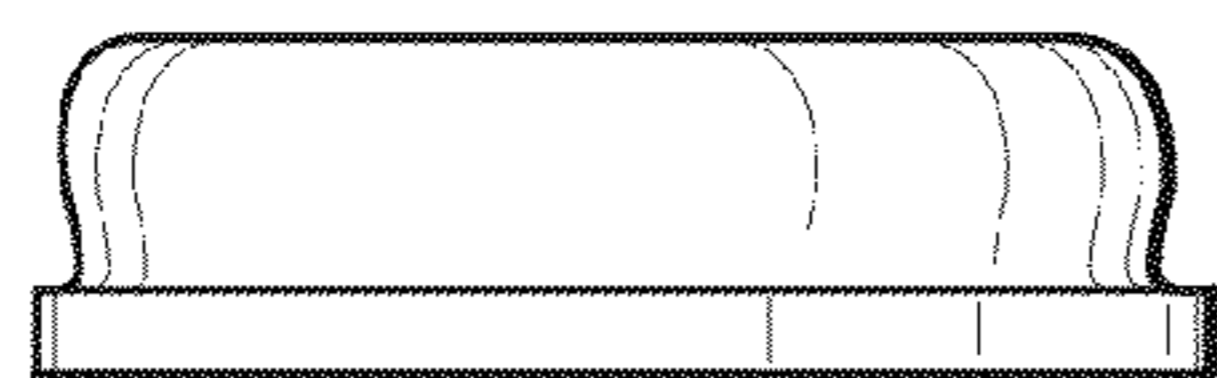
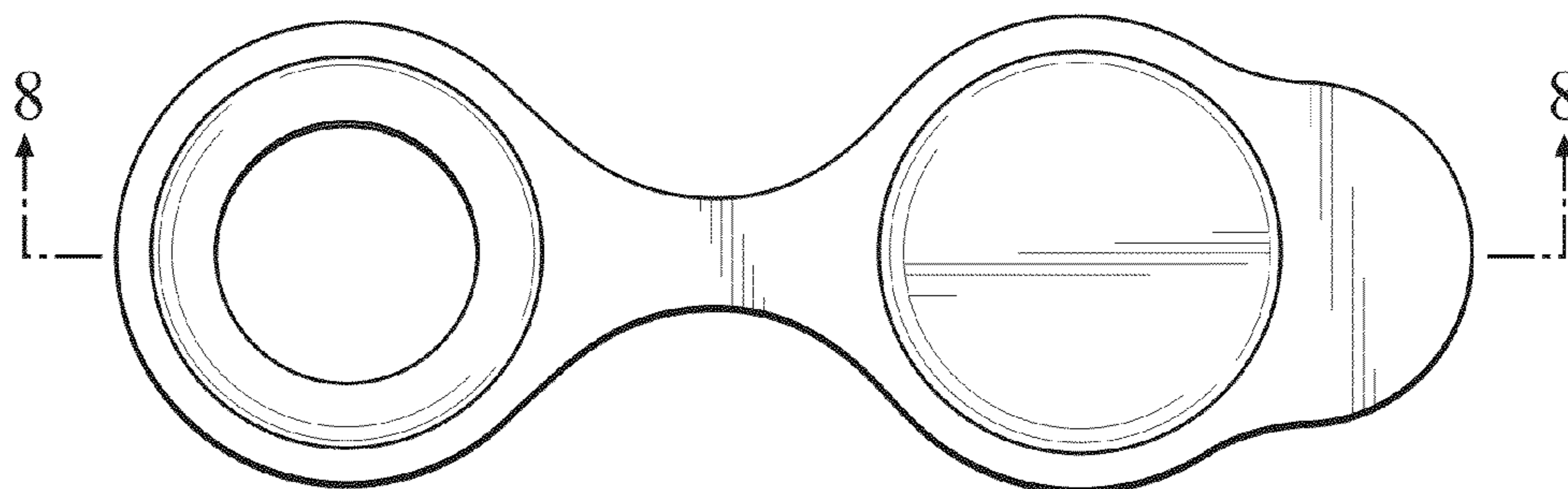


FIG. 6

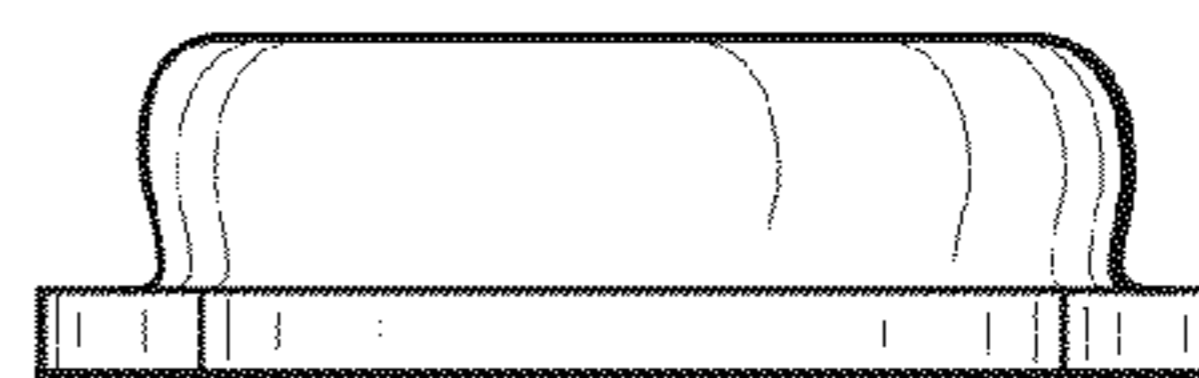


FIG. 7



FIG. 8