

US00D676313S

(12) **United States Design Patent**
Zimmerer

(10) **Patent No.:** **US D676,313 S**

(45) **Date of Patent:** **** Feb. 19, 2013**

(54) **BAND CLIP**

(75) Inventor: **Tobias Zimmerer**, Langenfeld (DE)

(73) Assignee: **ara Shoes AG**, Langenfeld (DE)

(**) Term: **14 Years**

(21) Appl. No.: **29/425,391**

(22) Filed: **Jun. 22, 2012**

(30) **Foreign Application Priority Data**

May 24, 2012 (EM) 001327738

(51) **LOC (9) Cl.** **08-08**

(52) **U.S. Cl.** **D8/394**; D8/395

(58) **Field of Classification Search** D8/354,
D8/356, 371, 394-396; D19/65, 86; D24/128;
248/74.2, 215, 227.1, 49, 300, 301, 316.7,
248/51, 489; 24/570, 3.12; D32/61; D11/78.1
See application file for complete search history.

(56) **References Cited**

U.S. PATENT DOCUMENTS

1,462,193 A * 7/1923 Cook 40/634
D142,357 S * 9/1945 Younghusband D11/78.1
D145,697 S * 10/1946 Mills D11/78.1
4,821,934 A * 4/1989 Alessi et al. 224/667
D350,314 S * 9/1994 Schweitzer D11/200
D390,493 S * 2/1998 Fletcher D11/78.1
D506,783 S * 6/2005 Siegel D19/65
D620,785 S * 8/2010 St. Germaine D8/395
D650,951 S * 12/2011 Connelly et al. D30/136
D651,363 S * 12/2011 Connelly et al. D30/136

FOREIGN PATENT DOCUMENTS

WO 000872142-0001 10/2008
WO 000912795-0005 11/2008
WO 001139299-0001 5/2009

WO 001194518-0001 3/2010
WO 001222392-0001 8/2010
WO 001773219-0001 11/2010
WO 001874116-0001 9/2011
WO 001311146-0001 2/2012

OTHER PUBLICATIONS

Exhibit 1 (Anlage 1)—“Bracks Schnürsenkel-Clip”.
Exhibit 2 (Anlage 2)—“Schnürsenkel-Clip”.
Exhibit 3 (Anlage 3)—“20X Schuch Clip f. Schnürsenkel
Schuhbänder Kordelsenkel”.
Exhibit 4 (Anlage 4)—“New Rock Boots Schnürsenkel Clip”.
Exhibit 5 (Anlage 5)—“SneaXx Schuh-Clip für die Schnürsenkel
Crown”.
Exhibit 6 (Anlage 6)—“Divio—der individuelle Fashionclip”.

* cited by examiner

Primary Examiner — John Windmuller

(74) *Attorney, Agent, or Firm* — Horst M. Kasper

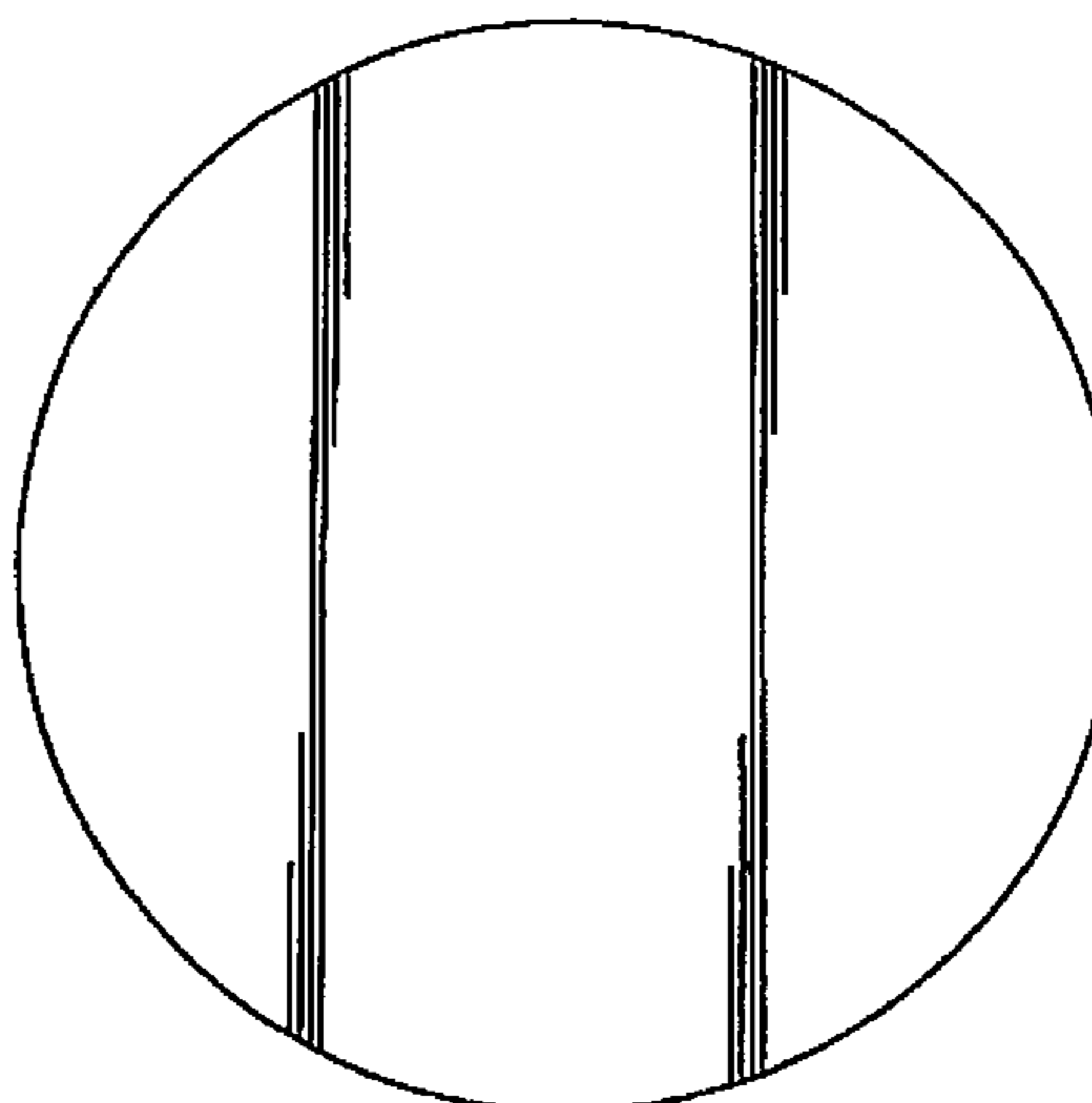
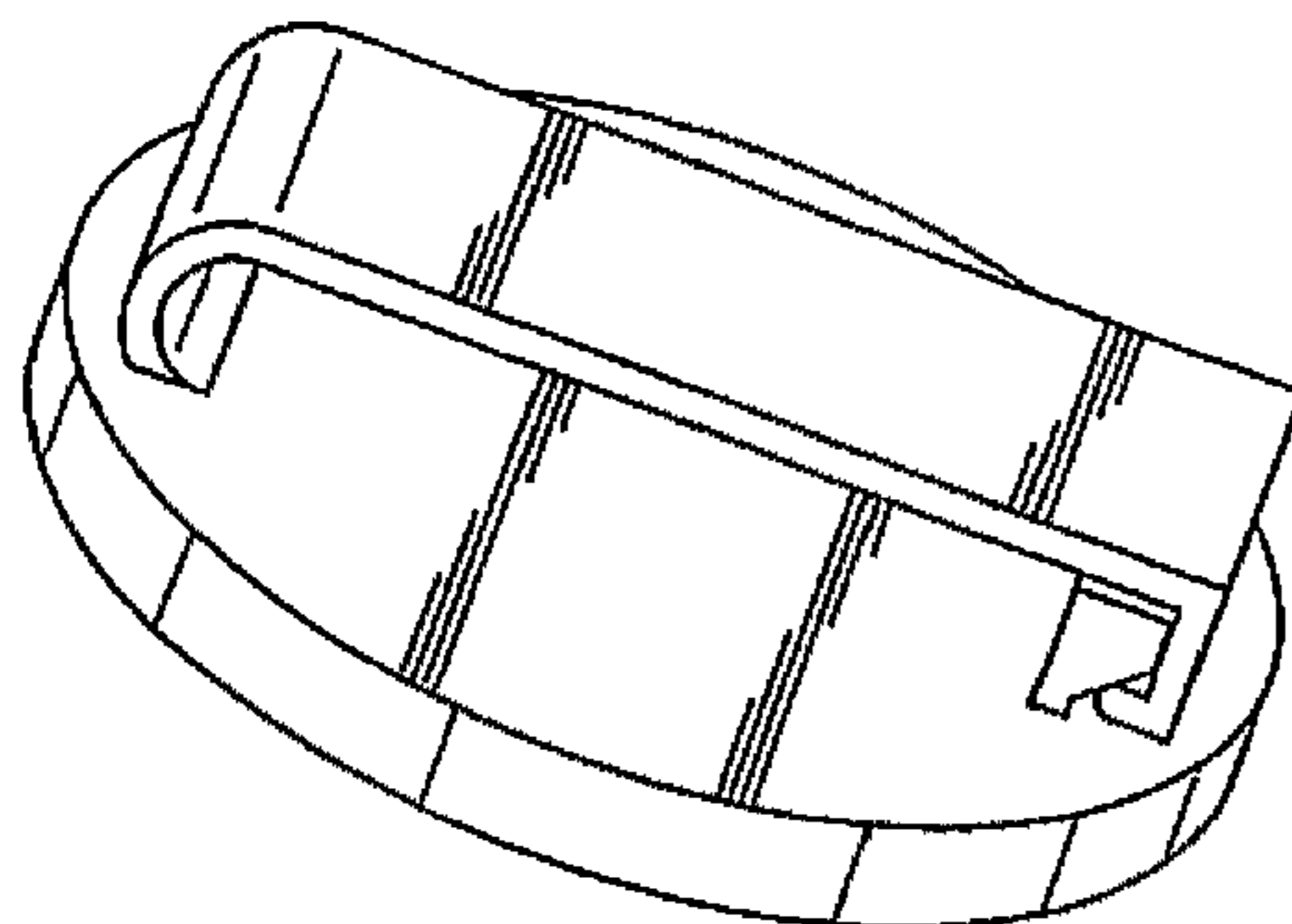
(57) **CLAIM**

The ornamental design for a band clip, as shown and described.

DESCRIPTION

FIG. 1 is a top perspective view of a band clip showing my new design;
FIG. 2 is a front elevational view thereof;
FIG. 3 is a rear elevational view thereof;
FIG. 4 is a left side elevational view thereof;
FIG. 5 is a right side elevational view thereof;
FIG. 6 is a bottom plan view thereof; and,
FIG. 7 is a top plan view thereof.

1 Claim, 7 Drawing Sheets



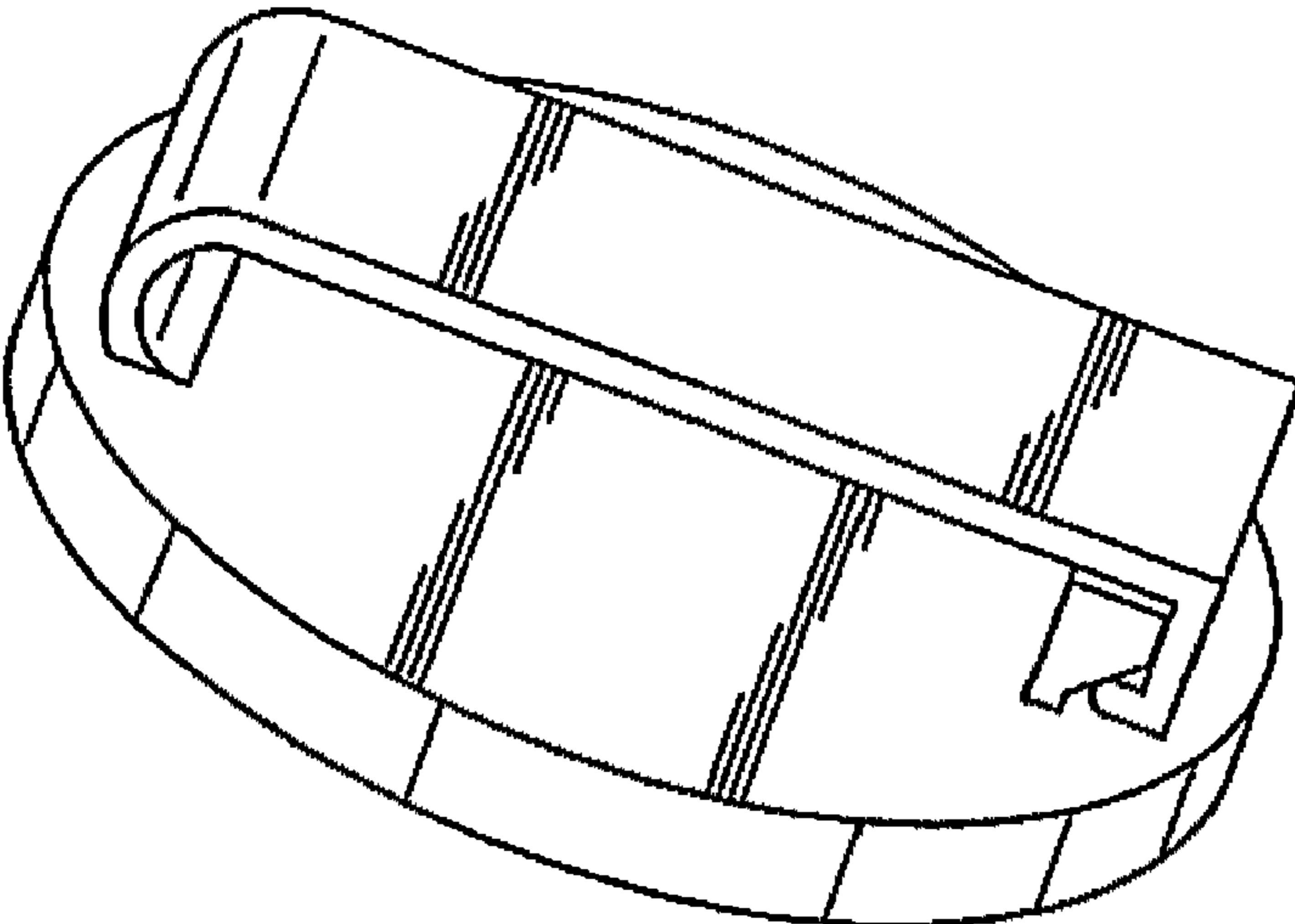


Fig. 1

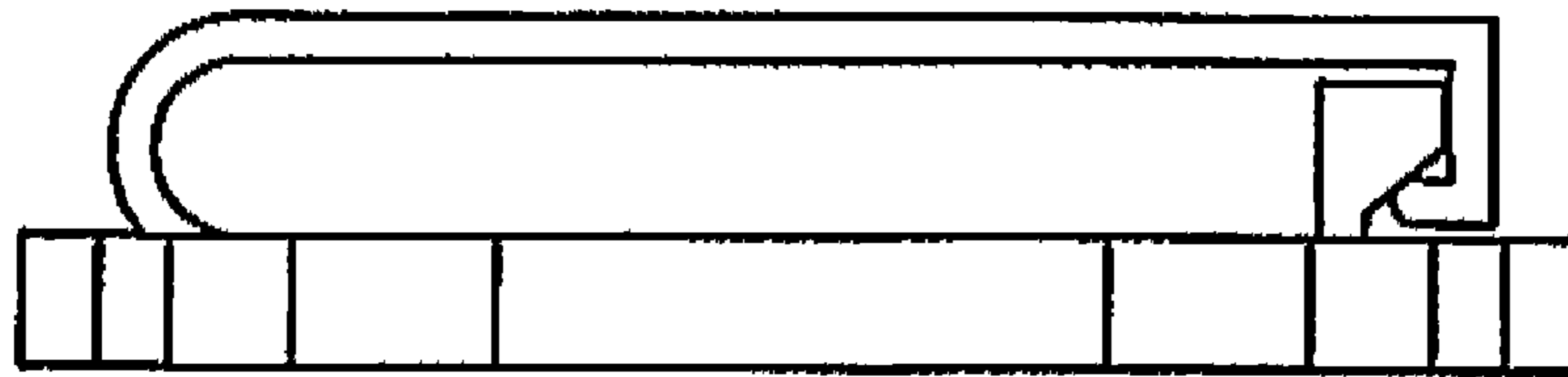


Fig. 2

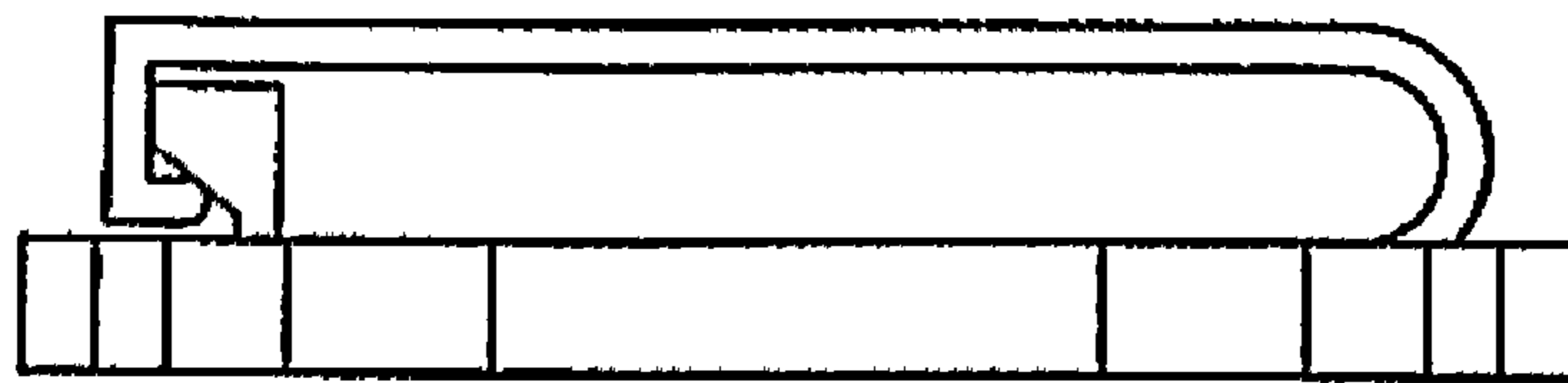


Fig. 3

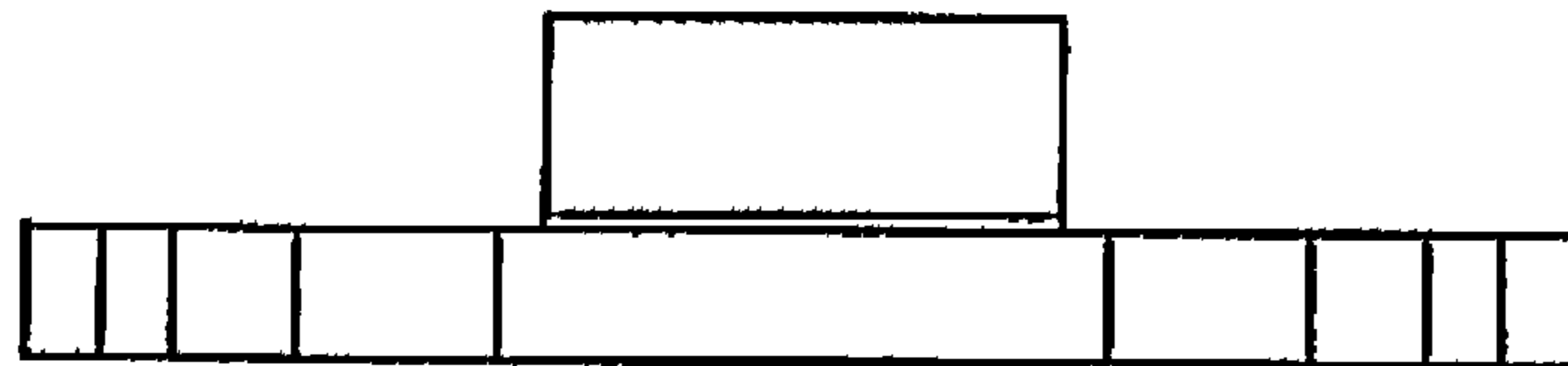


Fig. 4

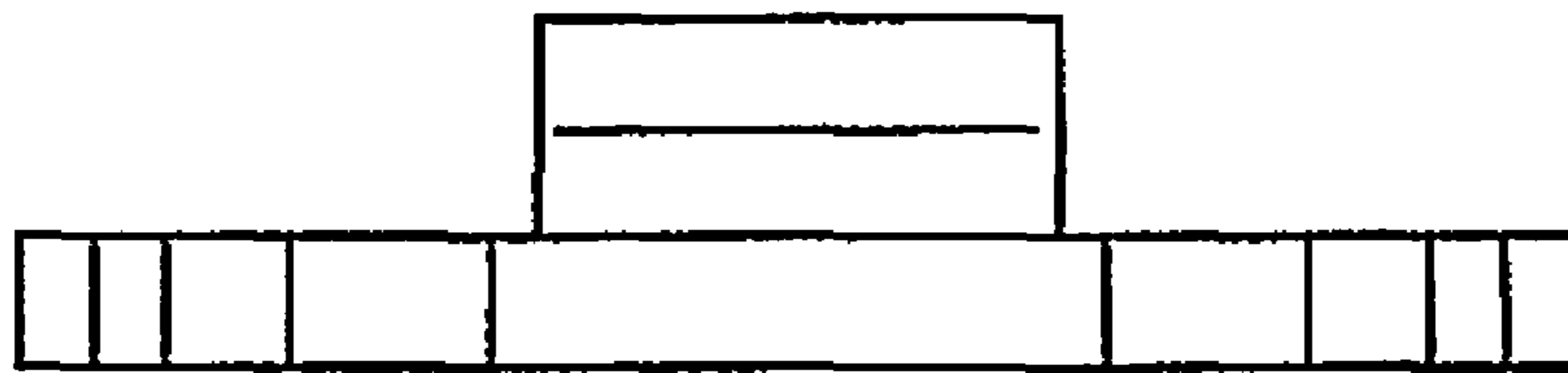


Fig. 5

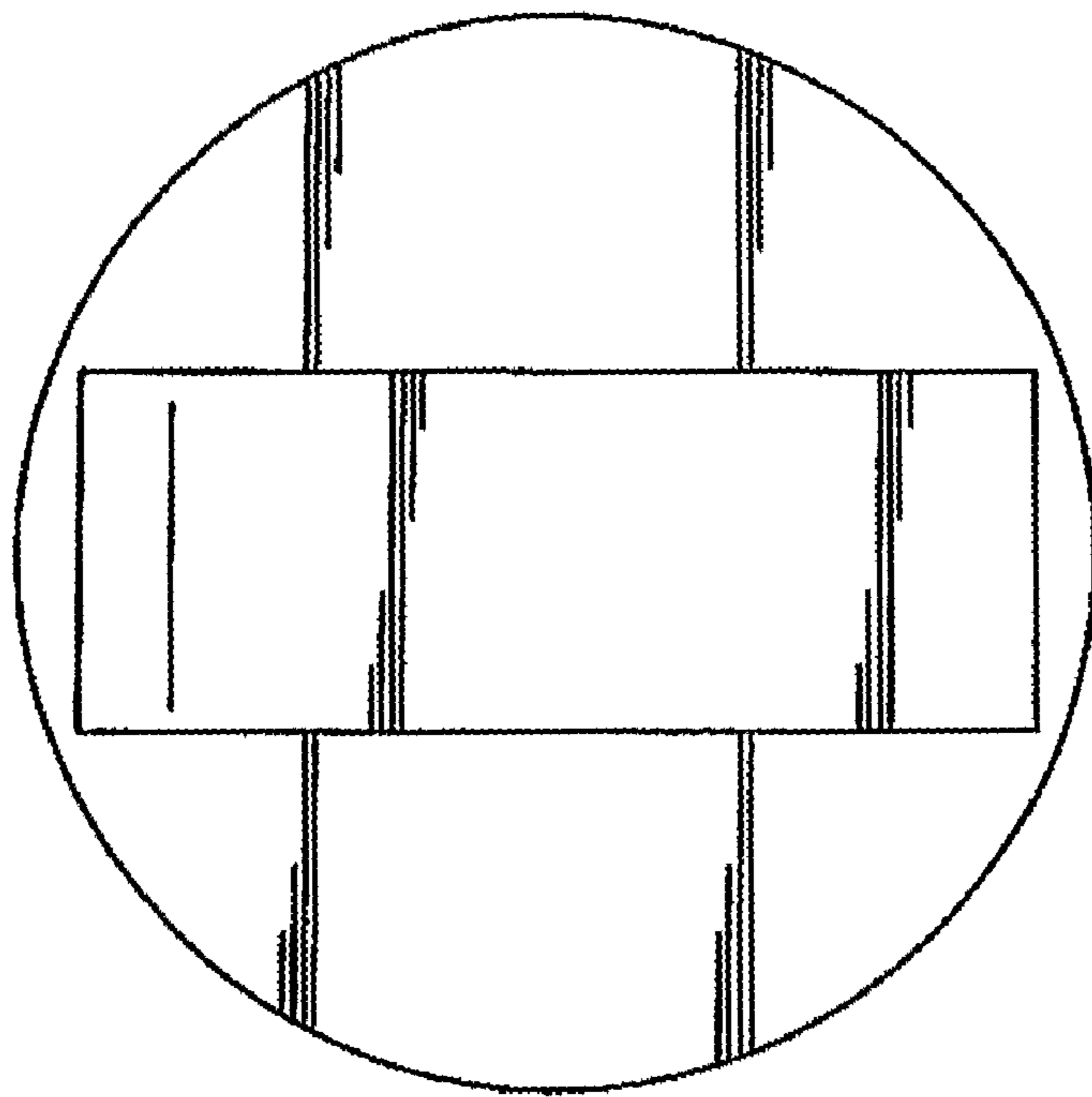


Fig. 6

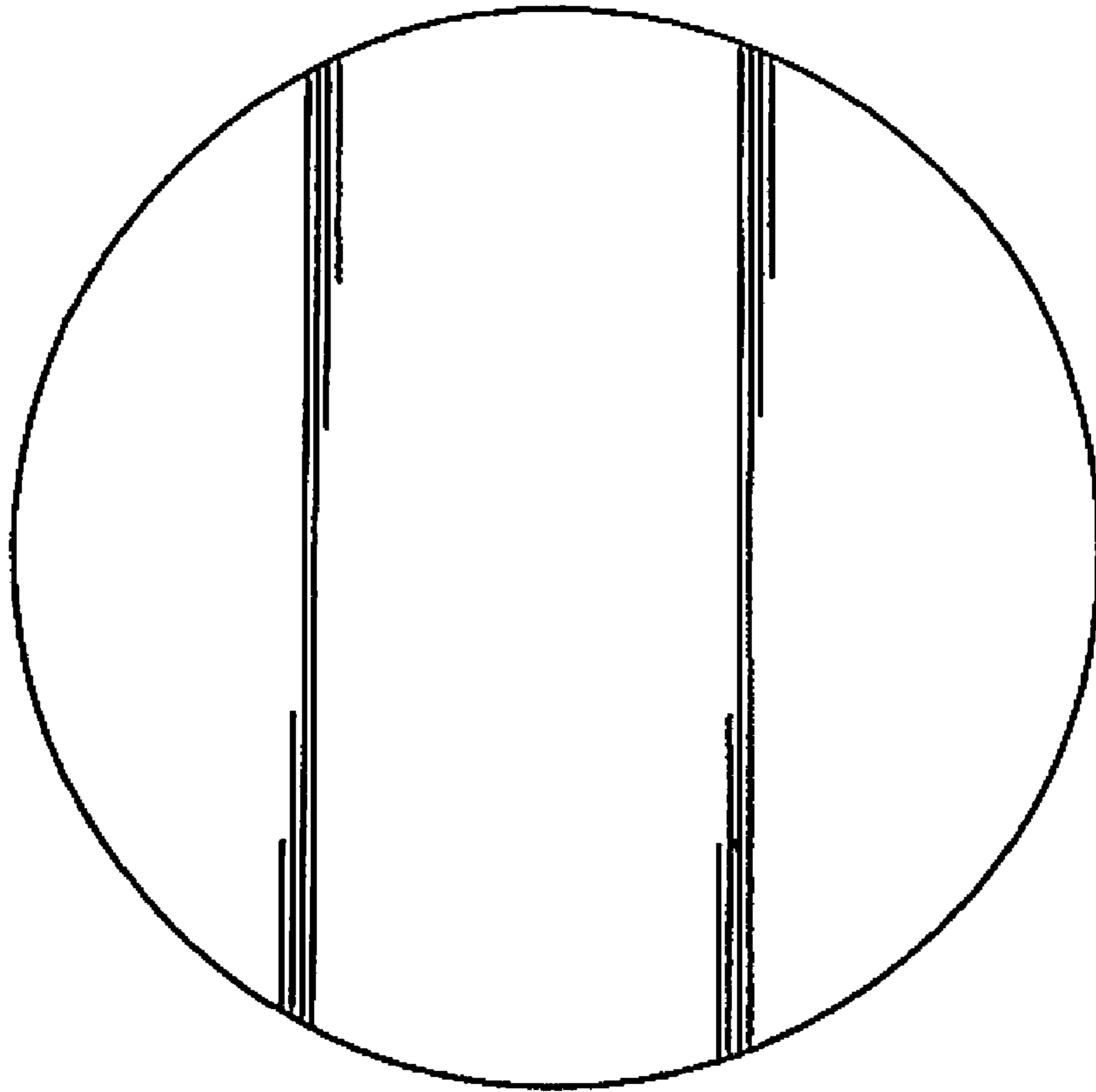


Fig. 7