



US00D676312S

(12) **United States Design Patent**
Lin

(10) **Patent No.:** **US D676,312 S**

(45) **Date of Patent:** **** Feb. 19, 2013**

(54) **THREADS OF A SCREW**

(75) Inventor: **Chao Wei Lin**, Tainan (TW)

(73) Assignee: **Kwantex Research Inc.**, Tainan (TW)

(**) Term: **14 Years**

(21) Appl. No.: **29/404,139**

(22) Filed: **Oct. 17, 2011**

(51) **LOC (9) Cl.** **08-08**

(52) **U.S. Cl.** **D8/387**

(58) **Field of Classification Search** D8/387,
D8/385, 388; 411/403, 337, 378, 411, 402,
411/410, 393, 405, 388, 404, 419, 387.1
See application file for complete search history.

(56) **References Cited**

U.S. PATENT DOCUMENTS

2,377,397	A *	6/1945	Booth	411/403
D264,807	S *	6/1982	Baumgartner	D8/387
5,540,531	A *	7/1996	Choiniere	411/387.1
D531,491	S *	11/2006	Liu	D8/387
D557,130	S *	12/2007	Kashikura et al.	D8/387

D557,131	S *	12/2007	Liu	D8/387
D567,644	S *	4/2008	Liu	D8/387
D581,776	S *	12/2008	Yin-Feng	D8/387
D637,896	S *	5/2011	Dotsey	D8/387
D651,507	S *	1/2012	Dotsey	D8/387

* cited by examiner

Primary Examiner — Sheryl Lane

(57) **CLAIM**

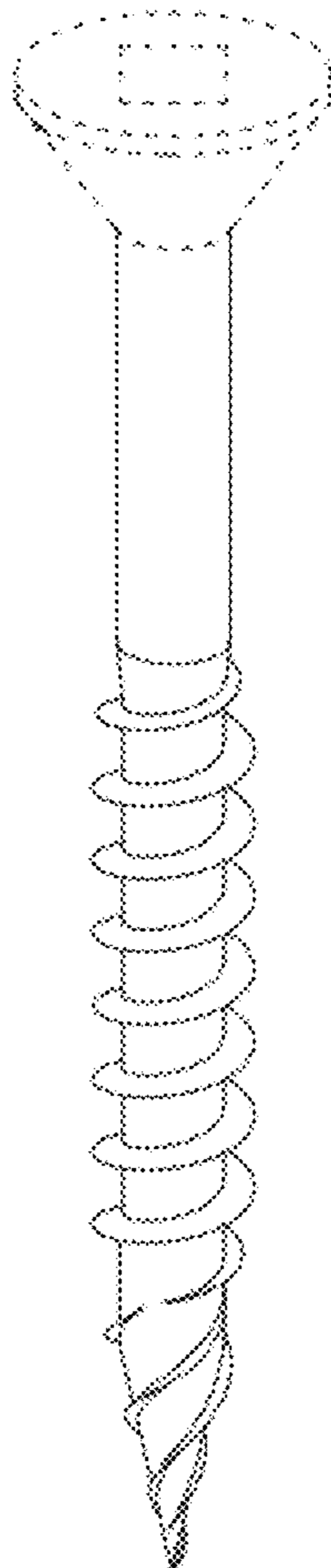
The ornamental design for threads of a screw, as shown and described.

DESCRIPTION

FIG. 1 is a perspective view of threads of a screw bearing the new design;
FIG. 2 is a front view thereof;
FIG. 3 is a rear view thereof;
FIG. 4 is a left side view thereof;
FIG. 5 is a right side view thereof;
FIG. 6 is a bottom plan view thereof; and,
FIG. 7 is a top plan view thereof.

The broken lines are included for the purpose of showing portions of the article and form no part of the claimed design.

1 Claim, 4 Drawing Sheets



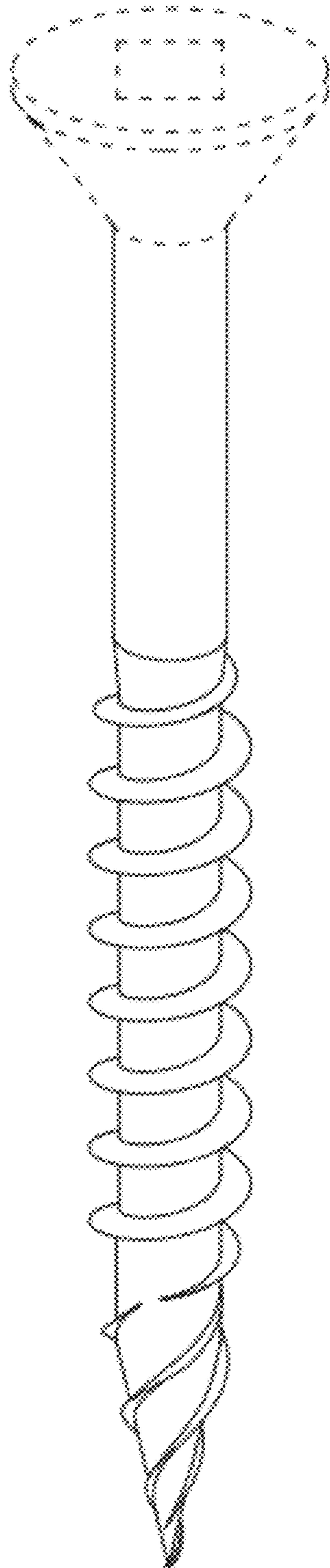


FIG. 1

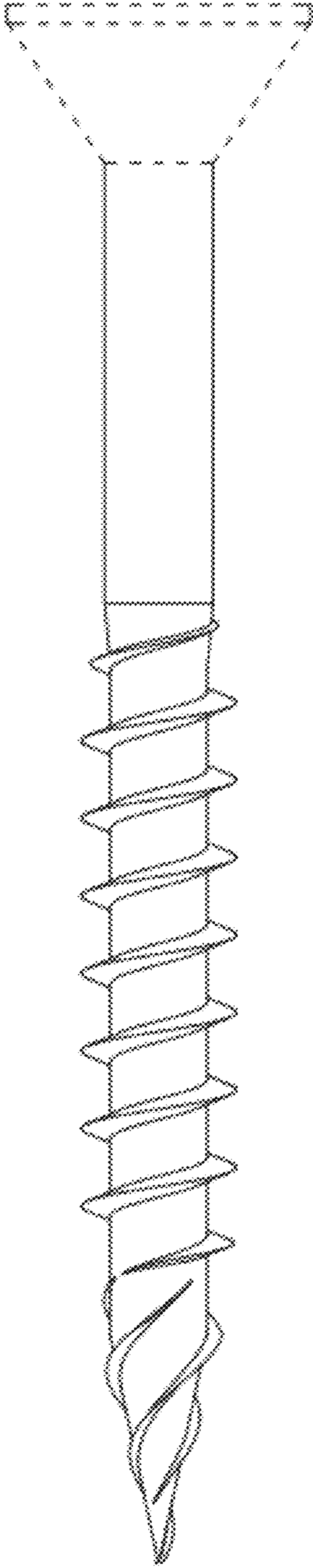


FIG. 2

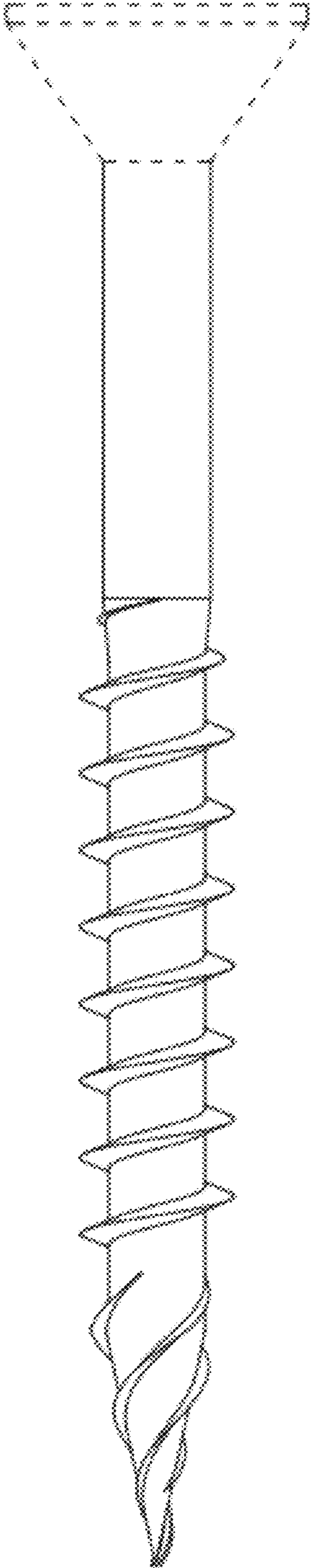


FIG. 3

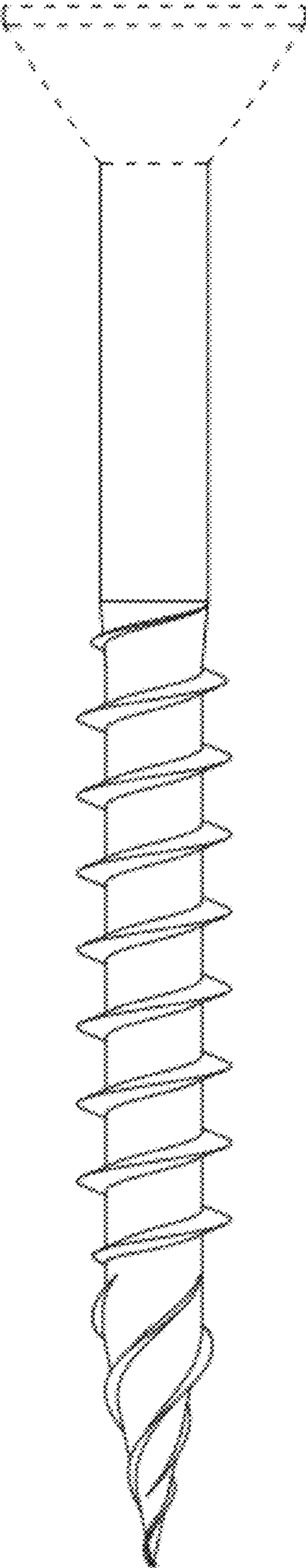


FIG. 4

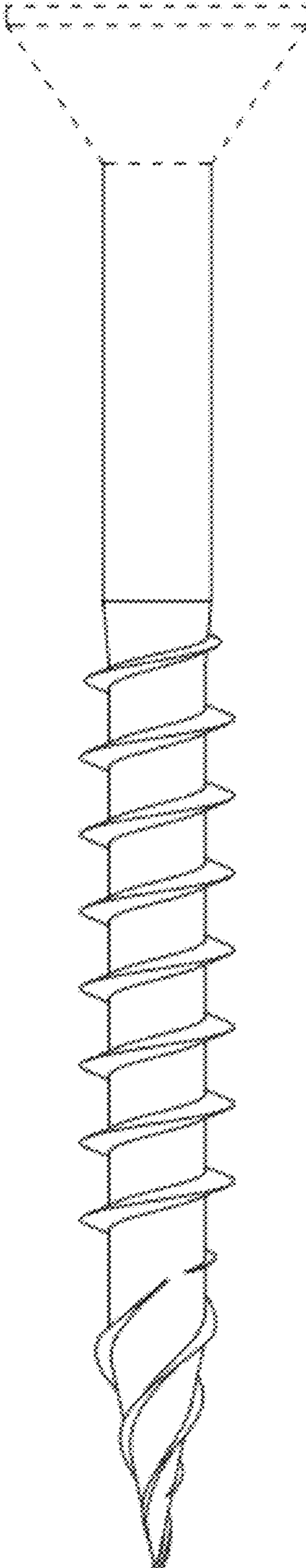


FIG. 5

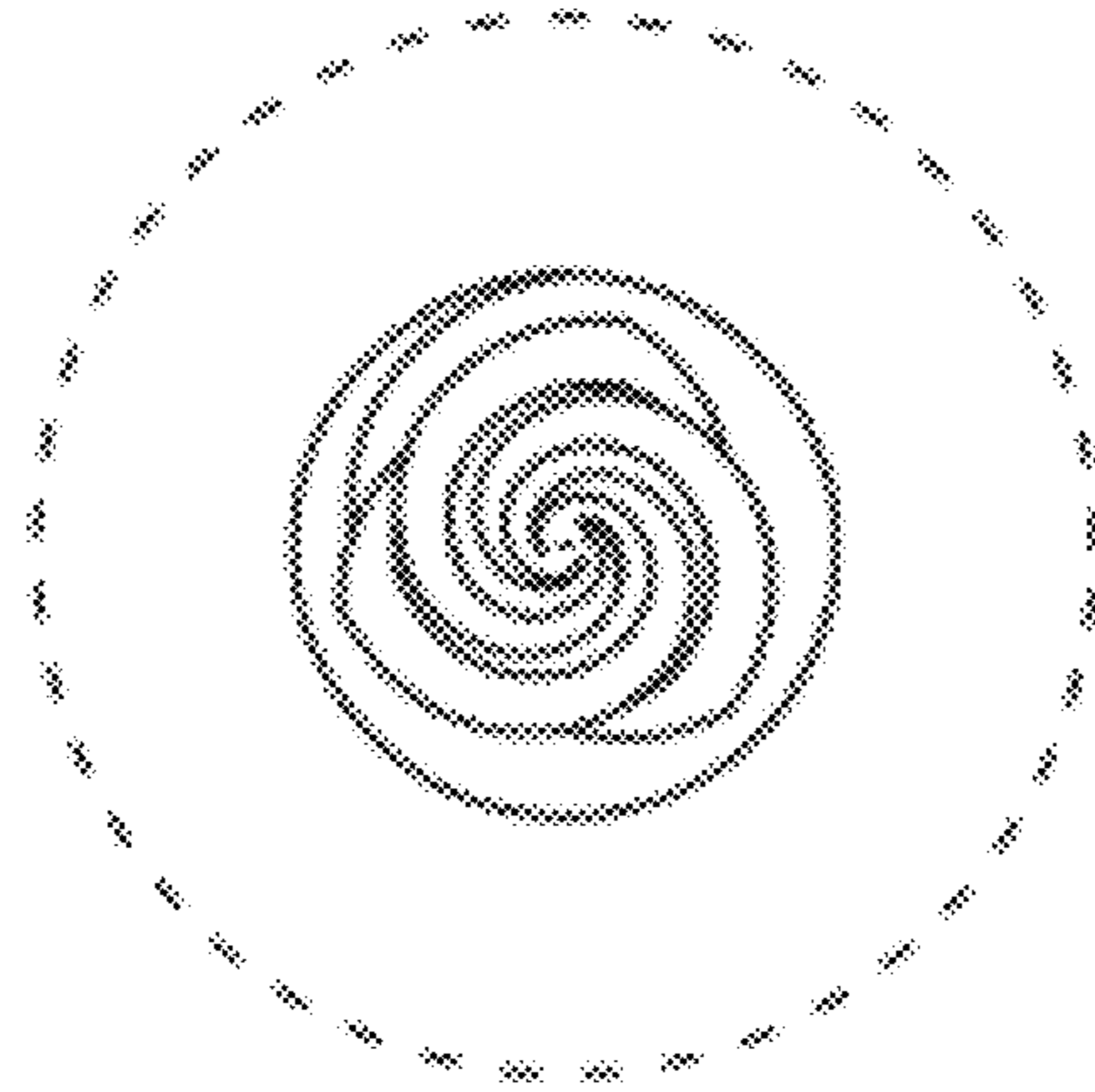


FIG. 6

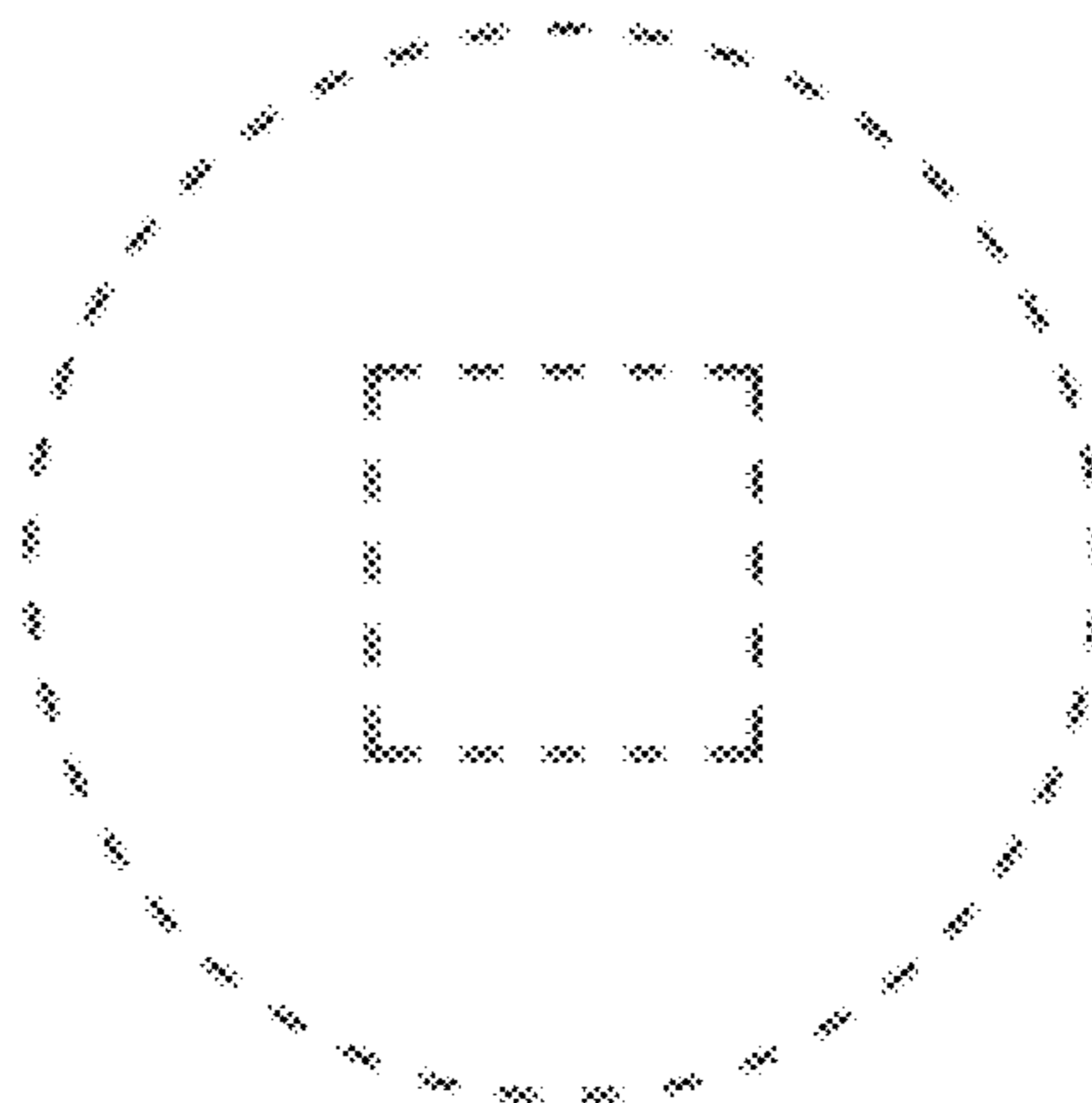


FIG. 7