



US00D676311S

(12) **United States Design Patent**
Moreau et al.

(10) **Patent No.:** **US D676,311 S**

(45) **Date of Patent:** **** Feb. 19, 2013**

(54) **LANYARD ATTACHMENT ASSEMBLY**

(76) Inventors: **Darrell A. Moreau**, Manchester, NH (US); **Andre W. Moreau**, Spring Hill, FL (US)

(**) Term: **14 Years**

(21) Appl. No.: **29/429,641**

(22) Filed: **Aug. 15, 2012**

(51) **LOC (9) Cl.** **08-05**

(52) **U.S. Cl.** **D8/356**

(58) **Field of Classification Search** D8/356,
D8/354, 349, 383; D11/3; D3/215; 24/115 R
See application file for complete search history.

(56) **References Cited**

U.S. PATENT DOCUMENTS

2,830,478	A *	4/1958	Prince	81/180.1
3,919,740	A *	11/1975	Scherb	452/187
D394,801	S *	6/1998	Blocher	D8/395
D395,596	S *	6/1998	Butera	D8/396
D442,068	S *	5/2001	Buettell	D8/367
6,691,382	B1 *	2/2004	Su	24/545
7,032,590	B2 *	4/2006	Loeffler et al.	128/200.24
D597,399	S *	8/2009	Draeger-Larkin	D8/356
D631,728	S *	2/2011	Rainey	D8/349
D642,896	S *	8/2011	Buras et al.	D8/356
D662,435	S *	6/2012	Kalbach	D11/3
D667,749	S *	9/2012	Case et al.	D11/3
8,266,768	B2 *	9/2012	Sarra	24/3.1
2003/0041417	A1 *	3/2003	Smith	24/16 R

* cited by examiner

Primary Examiner — Cynthia Underwood

(74) *Attorney, Agent, or Firm* — Mesmer & Deleault, PLLC

(57) **CLAIM**

We claim the ornamental design for a lanyard attachment assembly, as shown and described.

DESCRIPTION

FIG. 1 is a front, perspective view of a lanyard attachment assembly showing our new design in a first position.

FIG. 2 is a front plan view thereof.

FIG. 3 is a rear perspective view thereof.

FIG. 4 is a rear plan view thereof.

FIG. 5 is a right side plan view thereof.

FIG. 6 is a left side plan view thereof.

FIG. 7 is top plan view thereof.

FIG. 8 is a bottom plan view thereof.

FIG. 9 is a front, perspective view of a lanyard attachment assembly shown at a reduced scale in a first position installed on a tool (not claimed).

FIG. 10 is a front, perspective view of a lanyard attachment assembly showing our new design in a second position.

FIG. 11 is a front plan view thereof.

FIG. 12 is a rear, perspective view thereof.

FIG. 13 is a top plan view thereof.

FIG. 14 is a bottom plan view thereof.

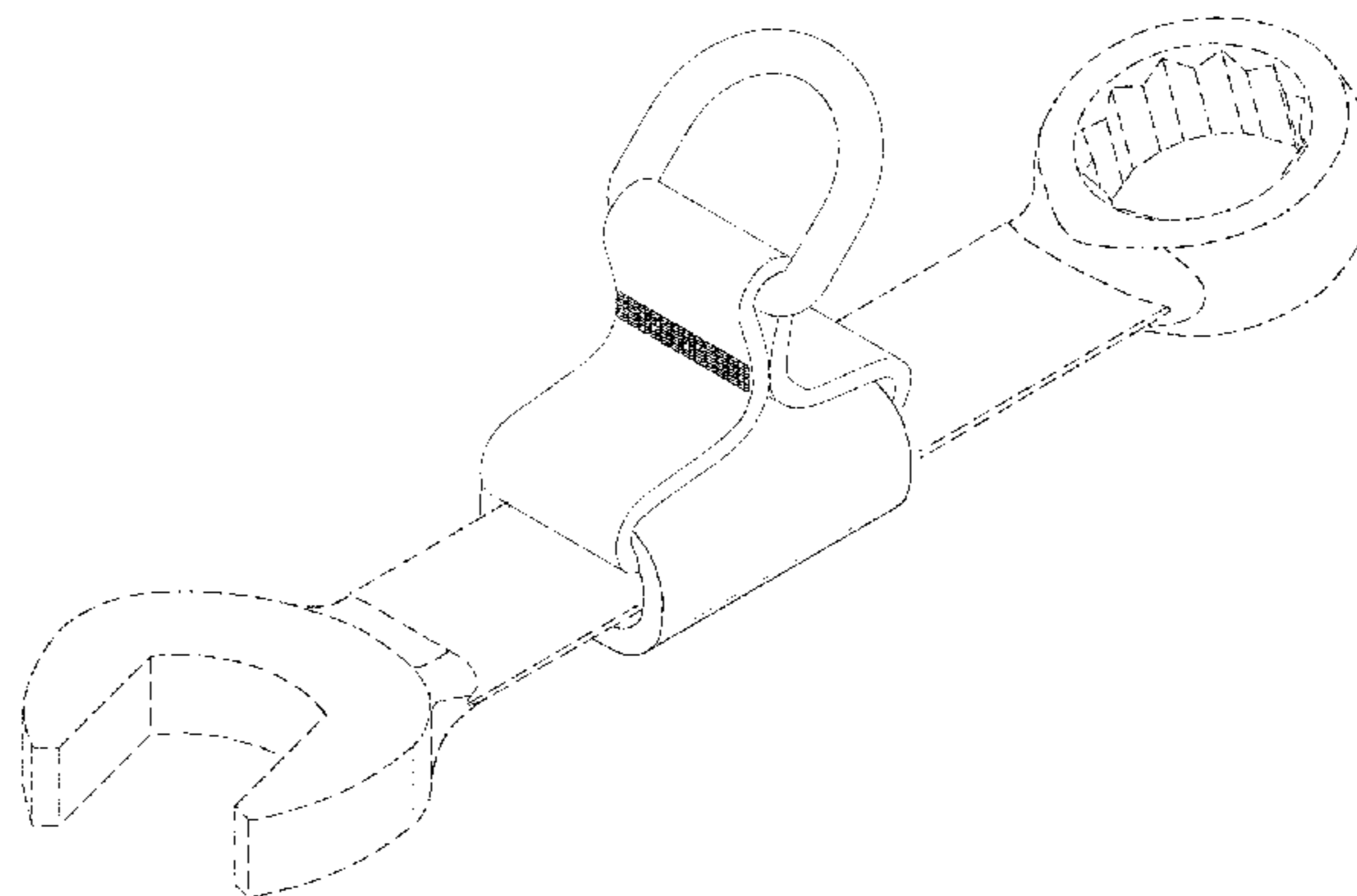
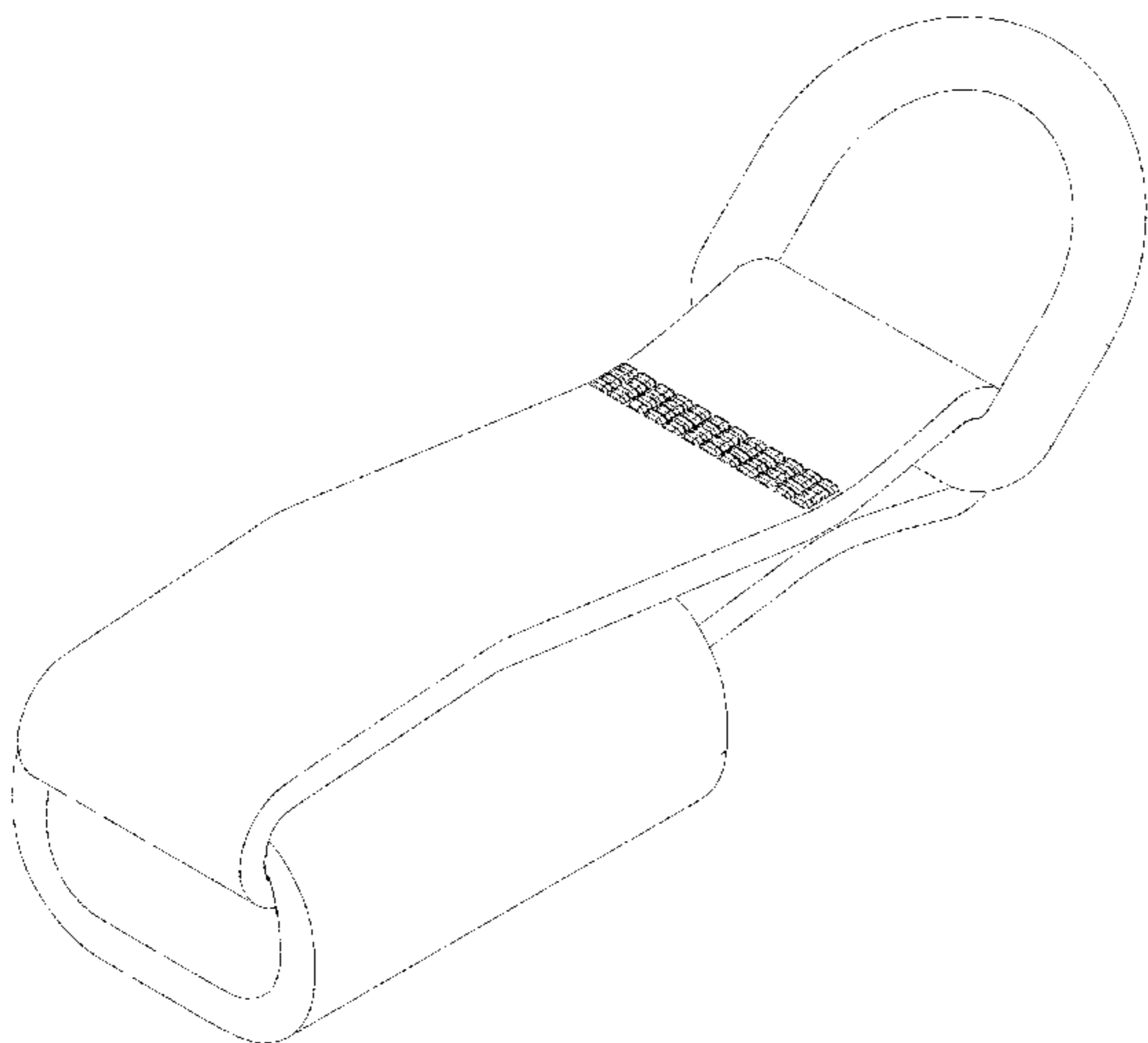
FIG. 15 is a right plan view thereof.

FIG. 16 is a left plan view thereof; and,

FIG. 17 is a front, perspective view of a lanyard attachment assembly shown at a reduced scale in a second position installed on a tool (not claimed).

The broken line showing of a wrench in FIGS. 9 and 17 is included for the purpose of illustrating example uses of the wrench with the claimed lanyard attachment assembly and forms no part of the claimed design.

1 Claim, 17 Drawing Sheets



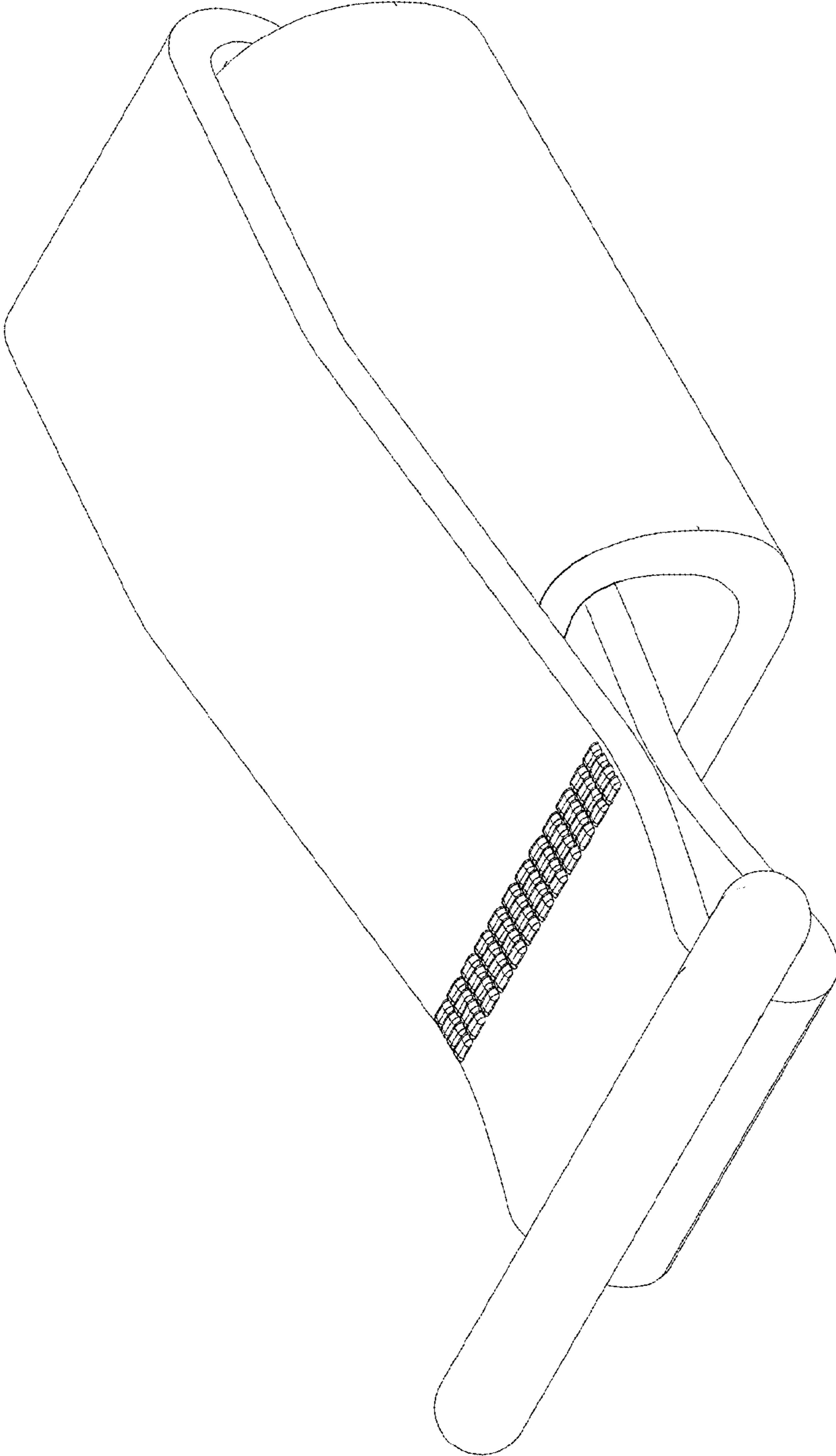


Fig. 1

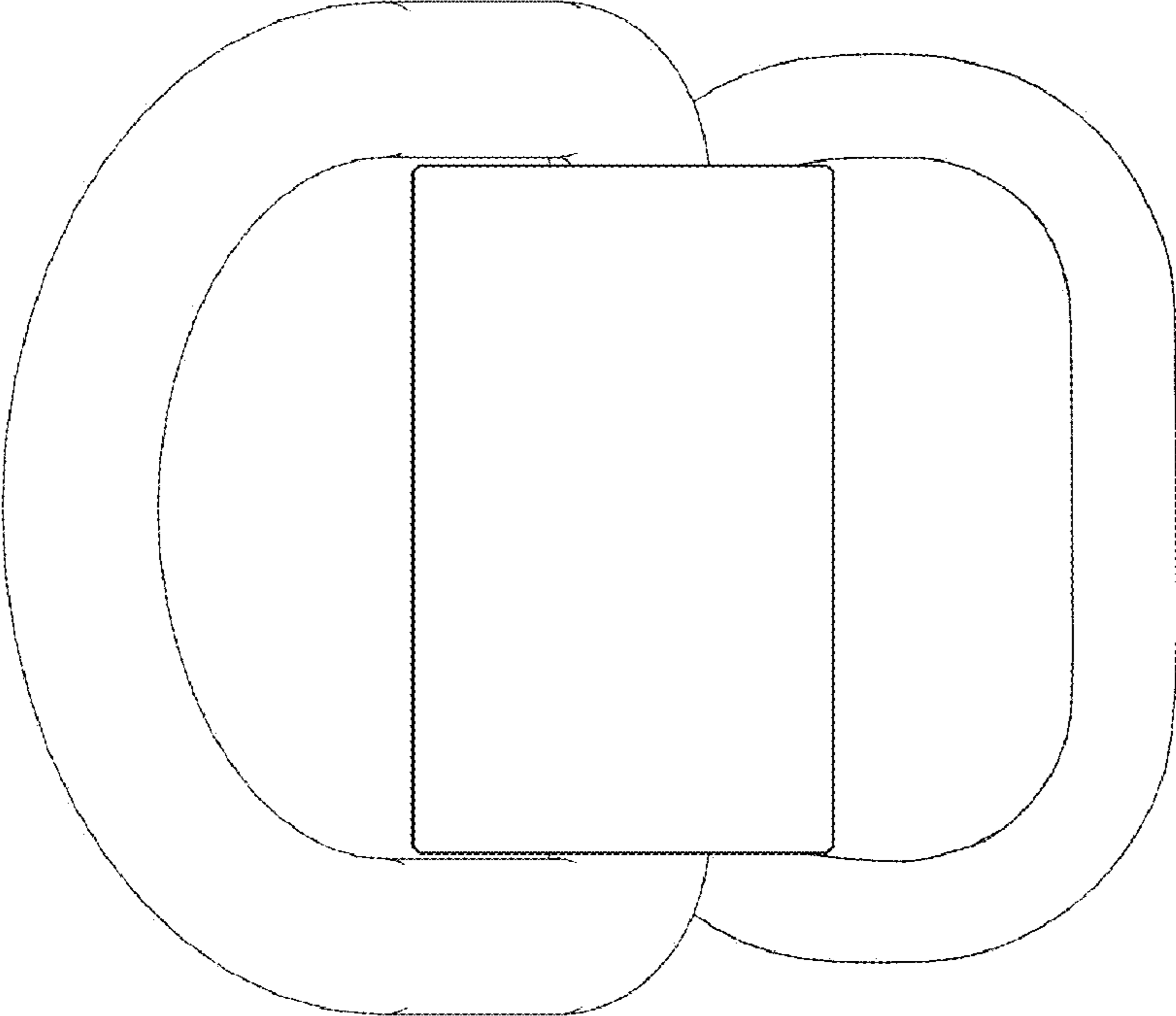


Fig. 2

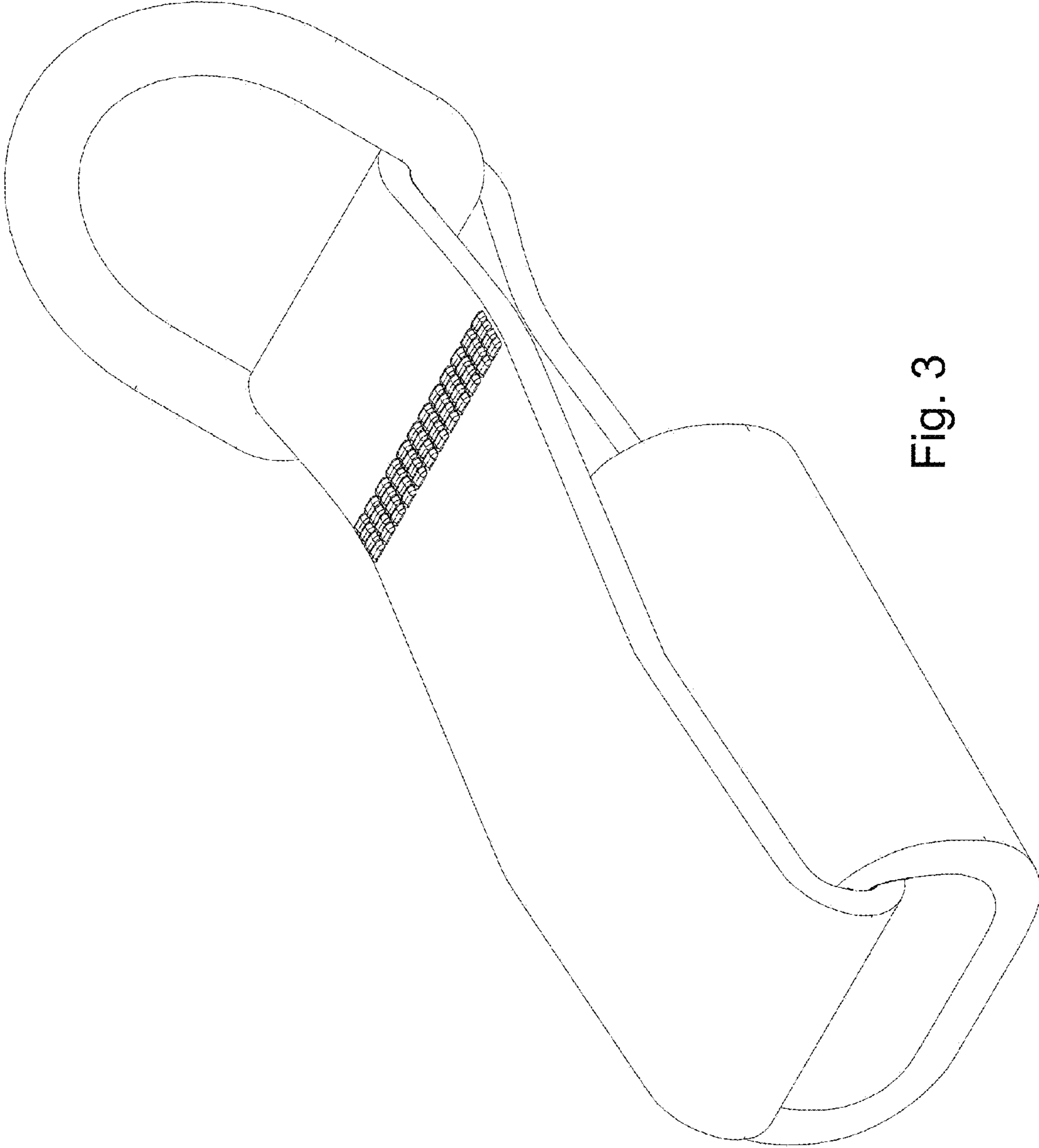


Fig. 3

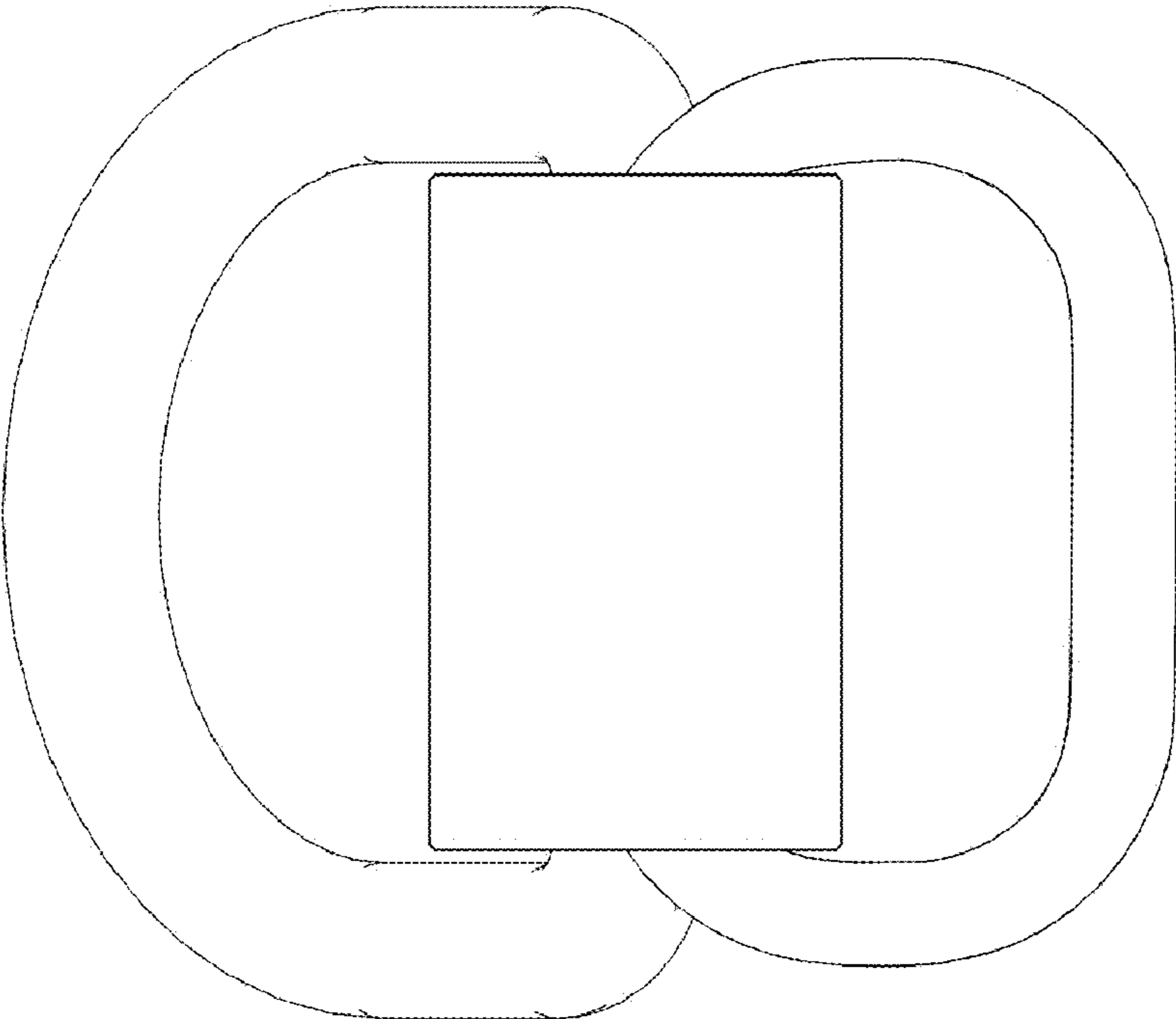


Fig. 4

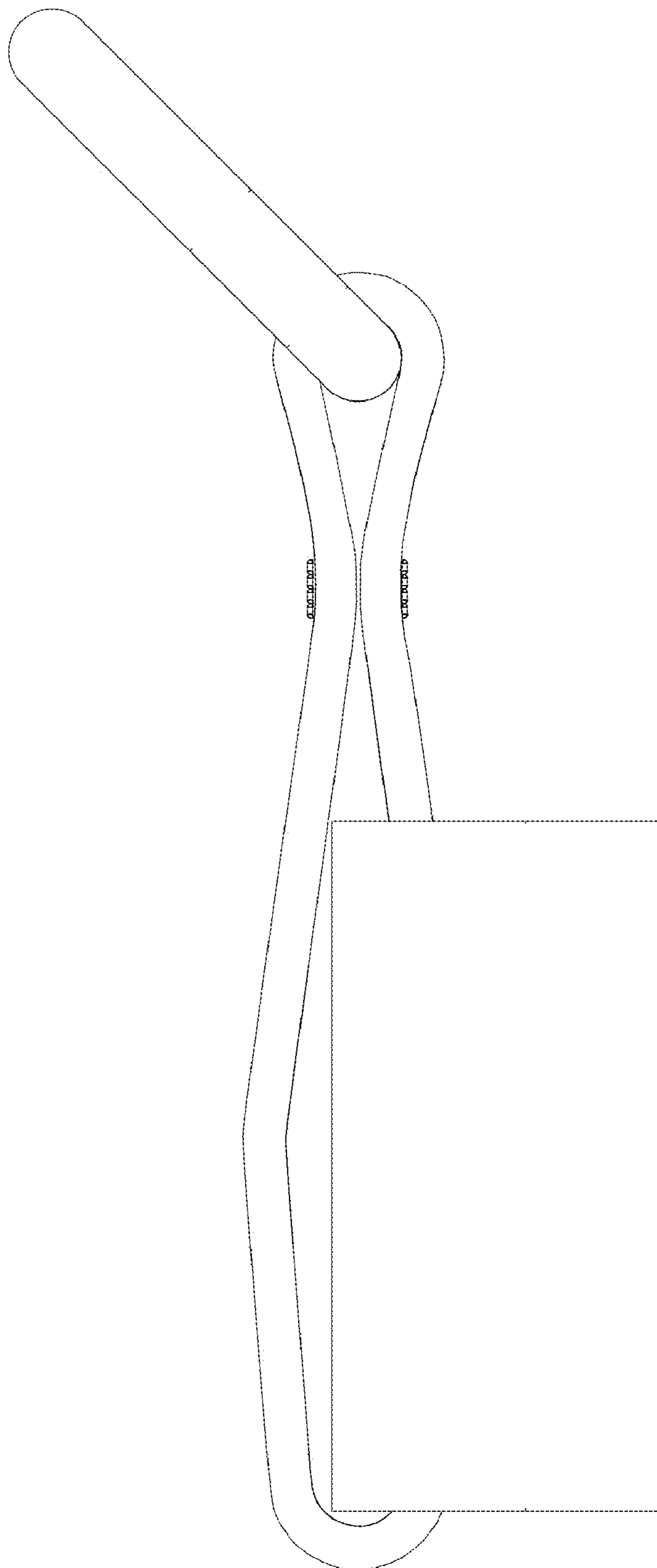


Fig. 5

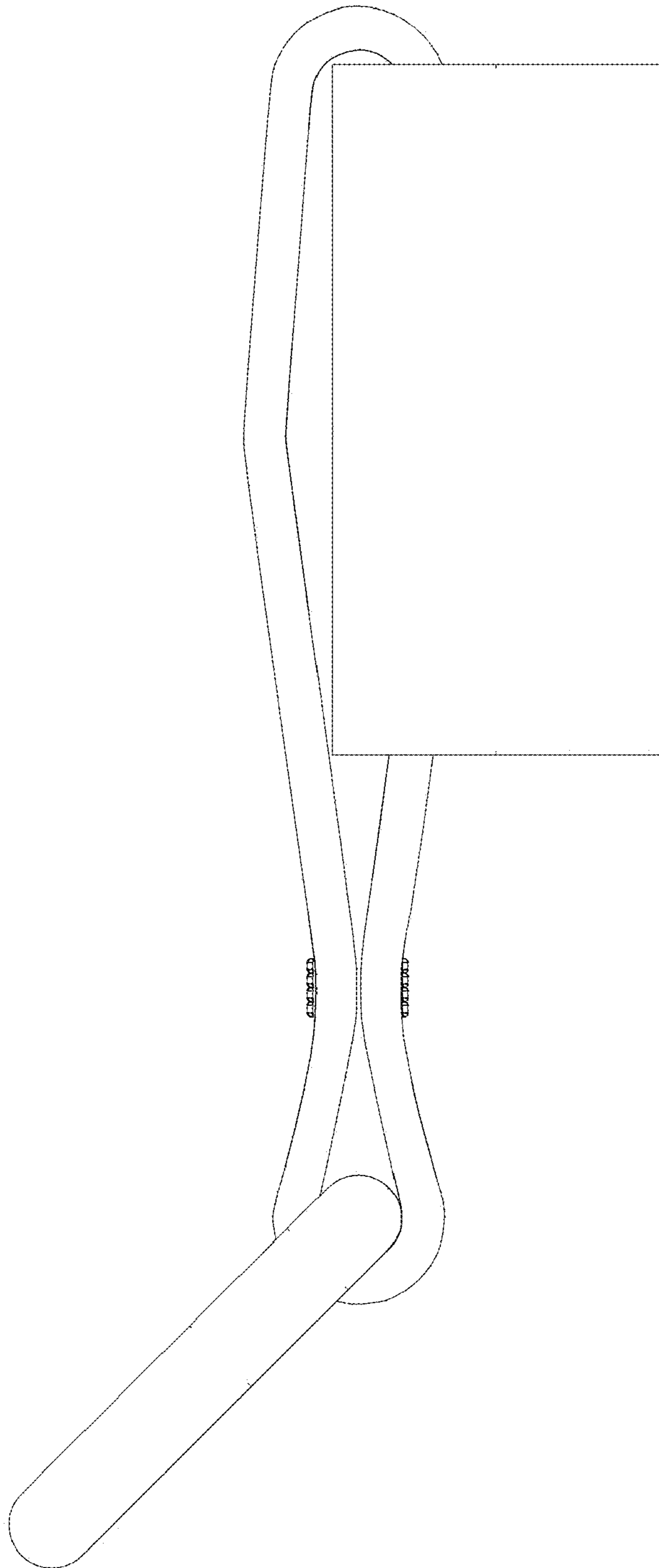


Fig. 6

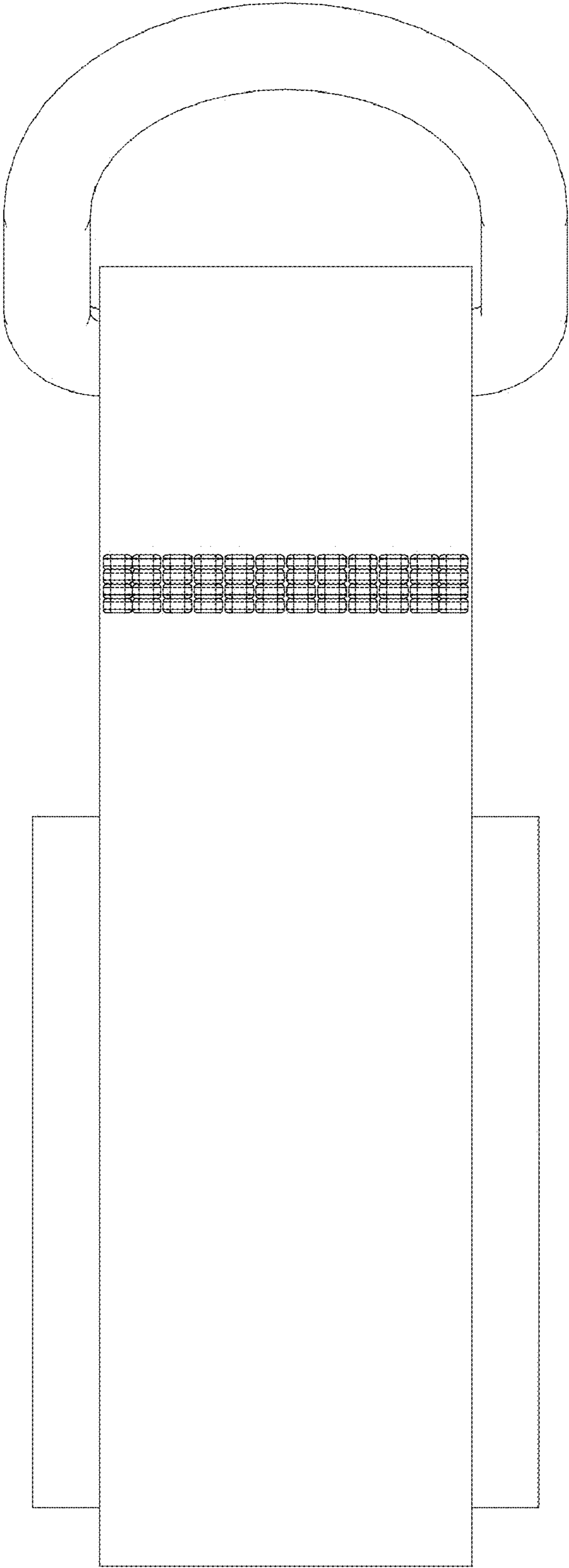


Fig. 7

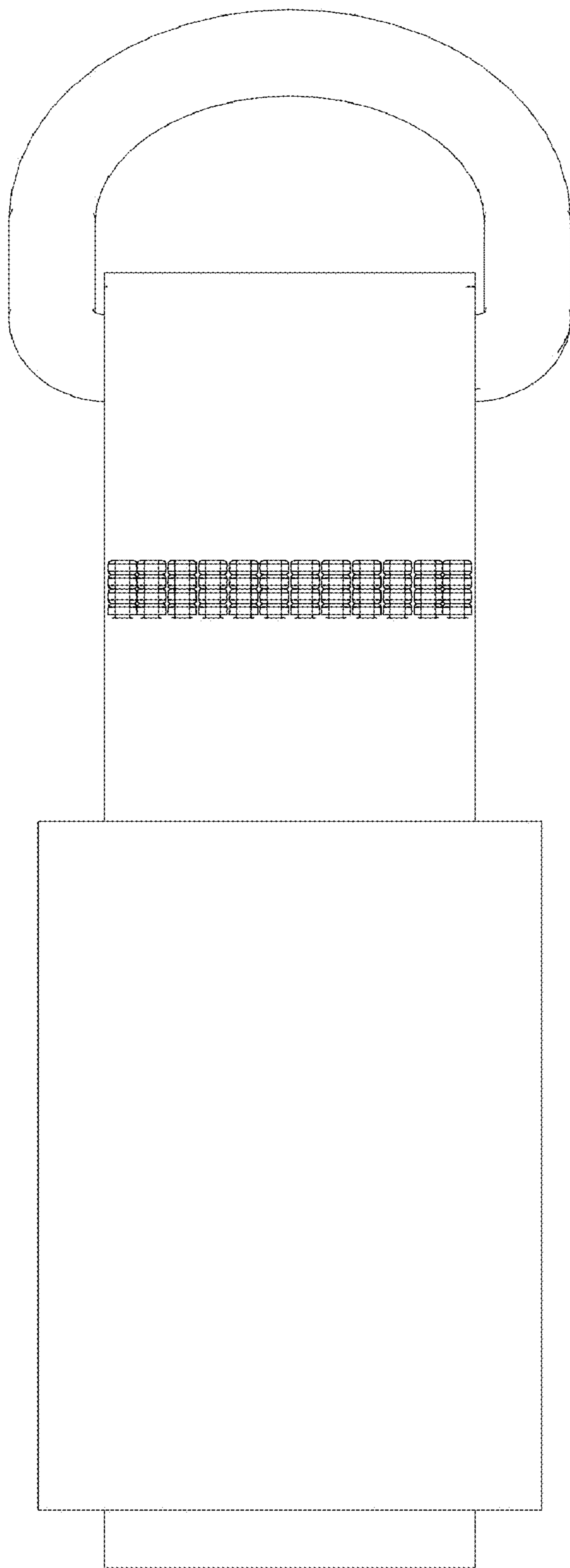


Fig. 8

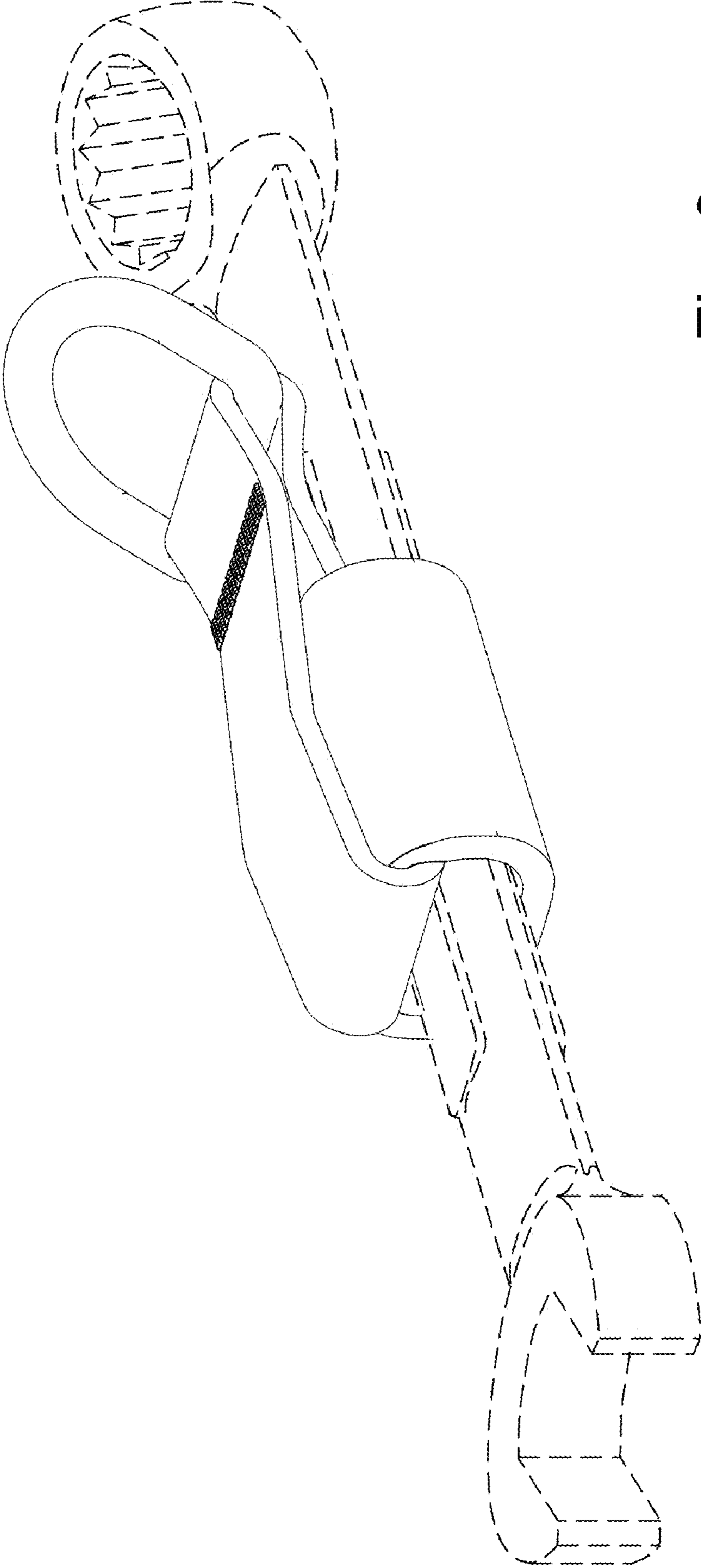


Fig. 9

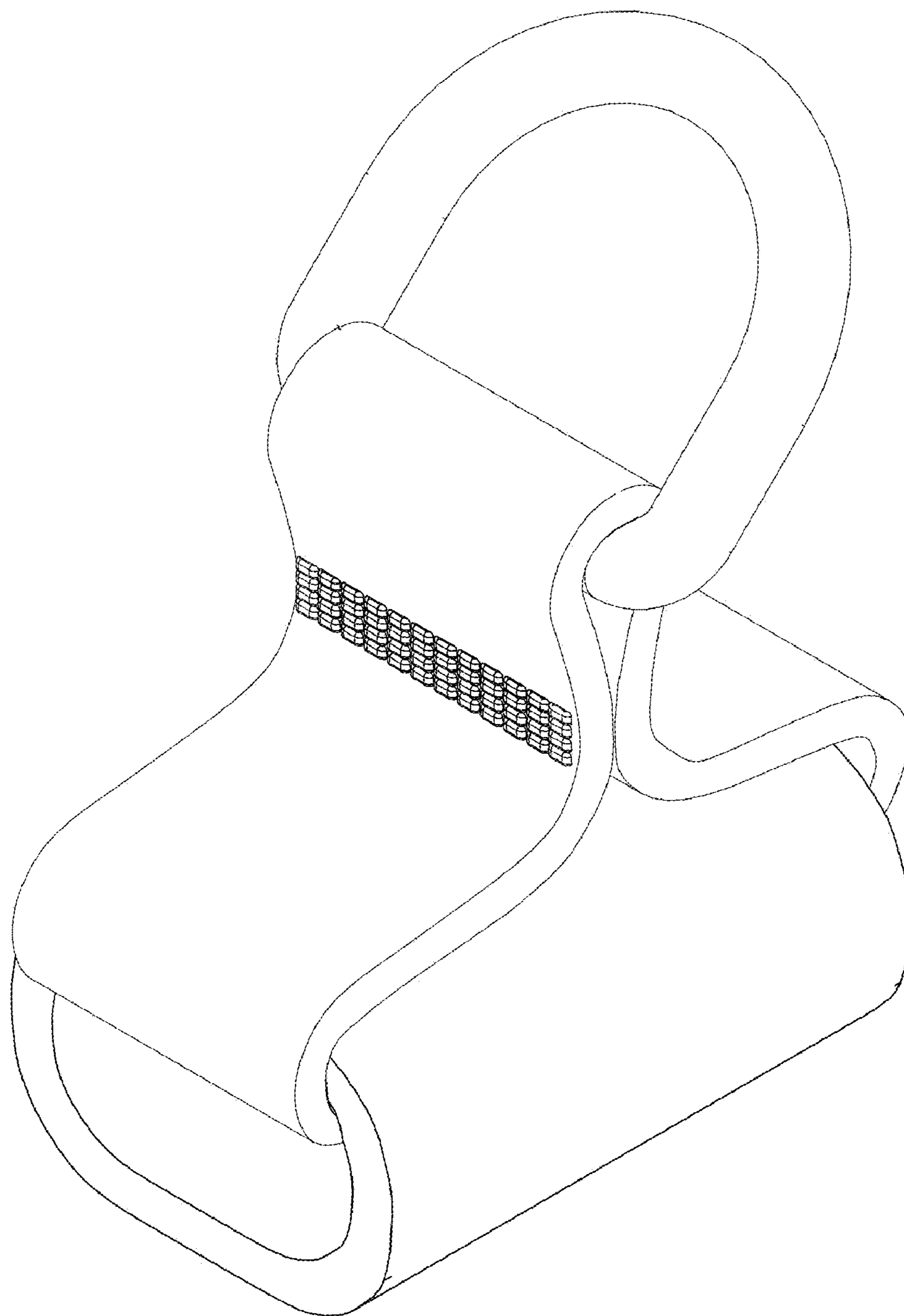


Fig. 10

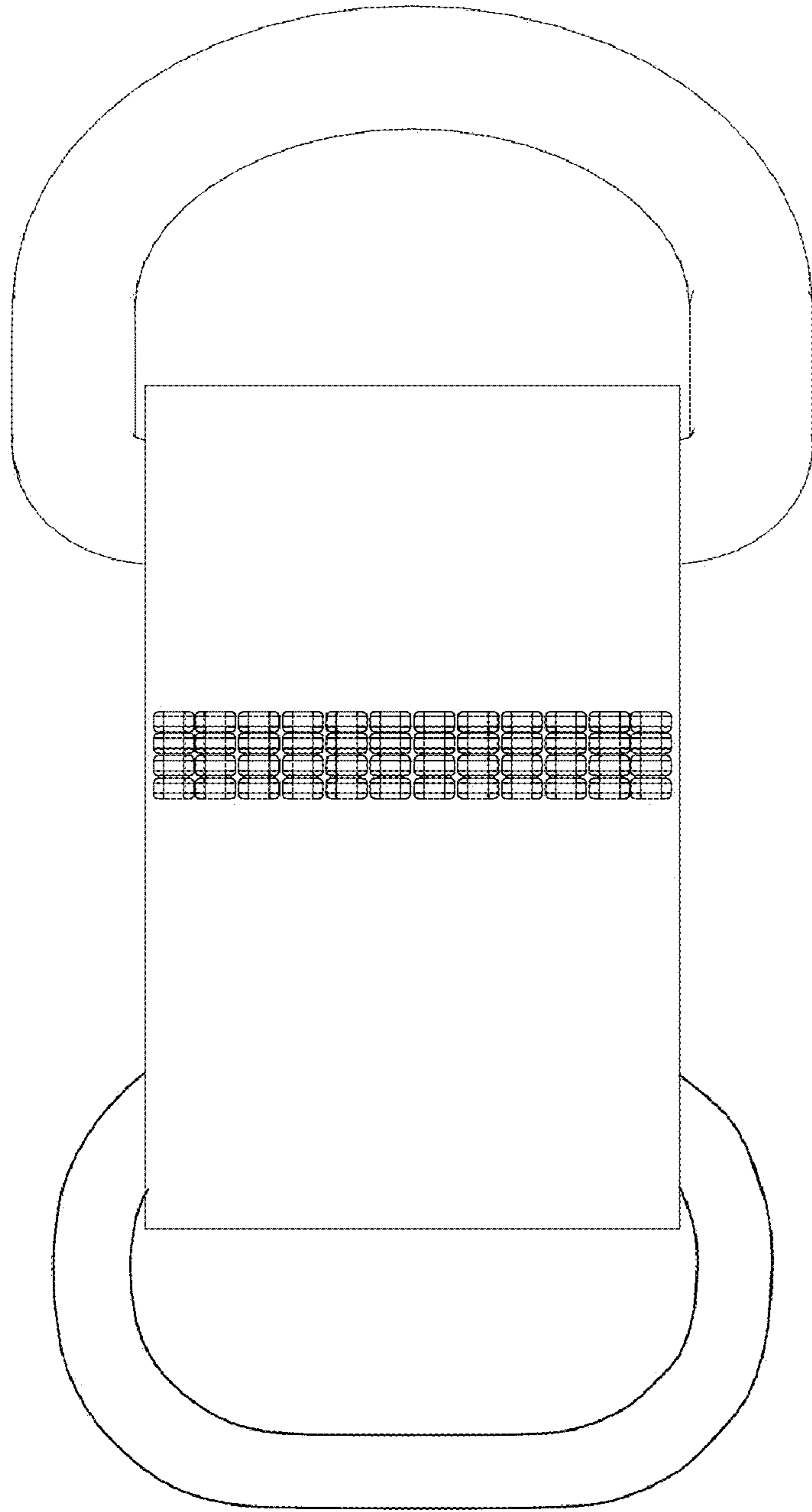


Fig. 11

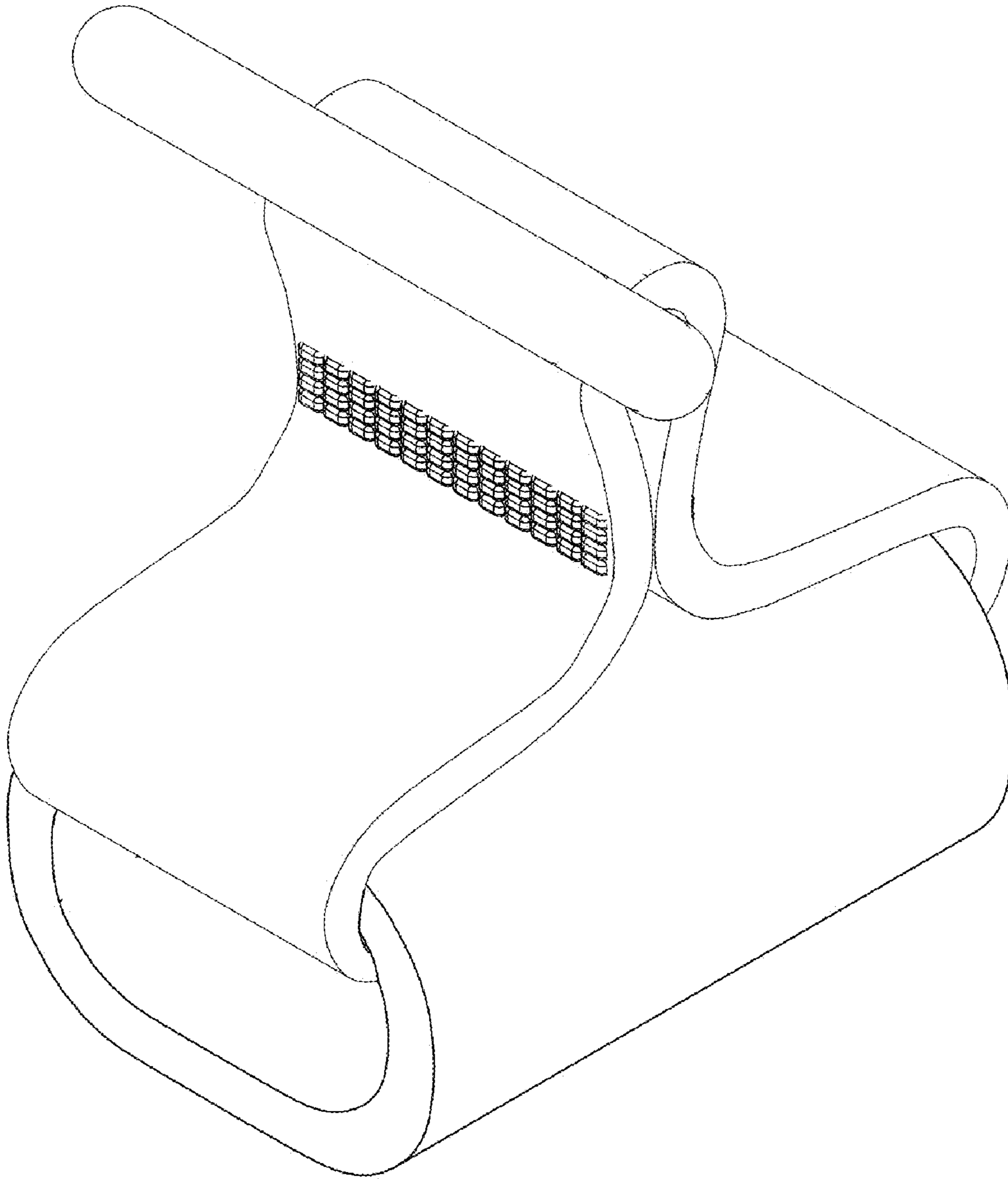


Fig. 12

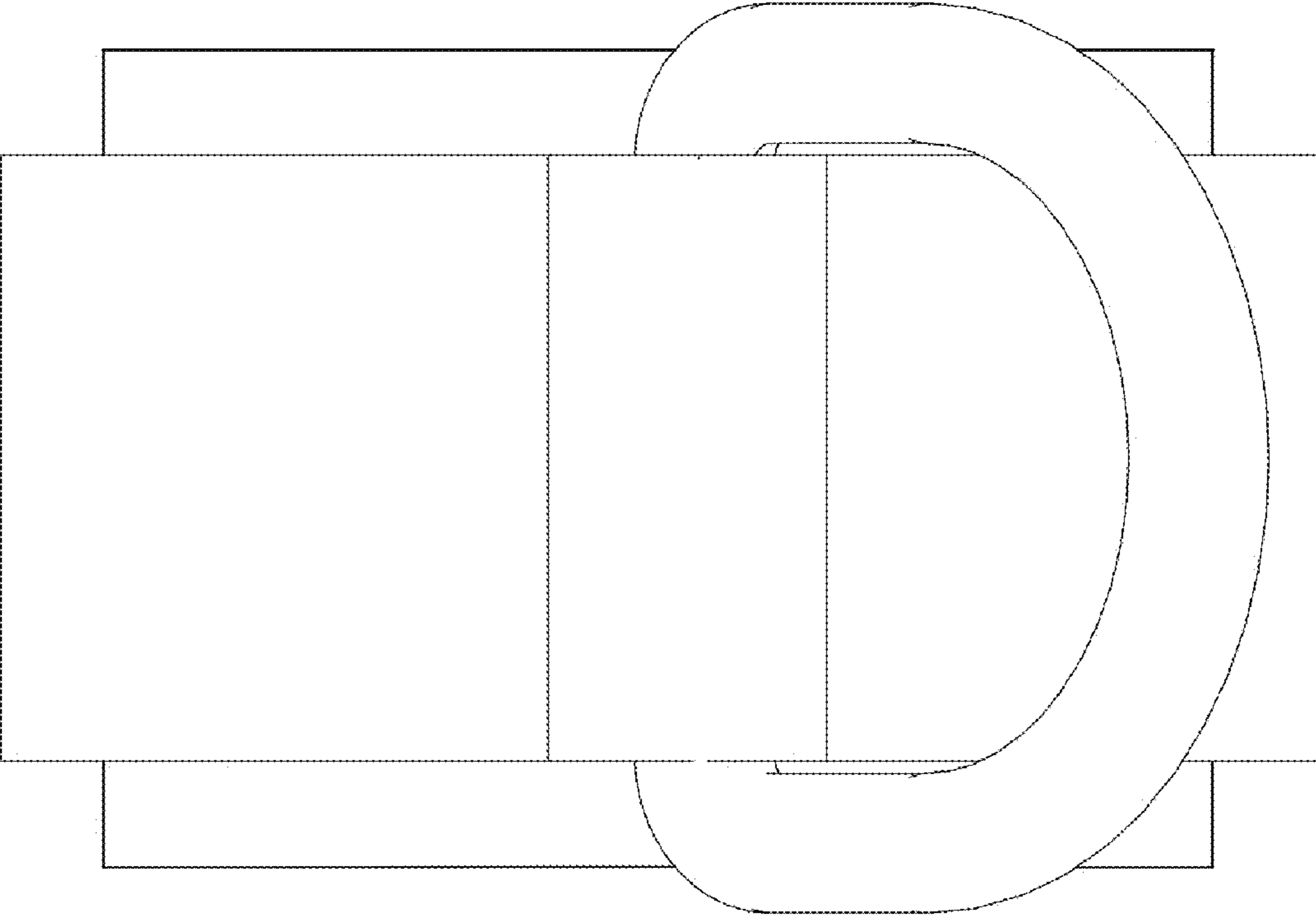


Fig. 13

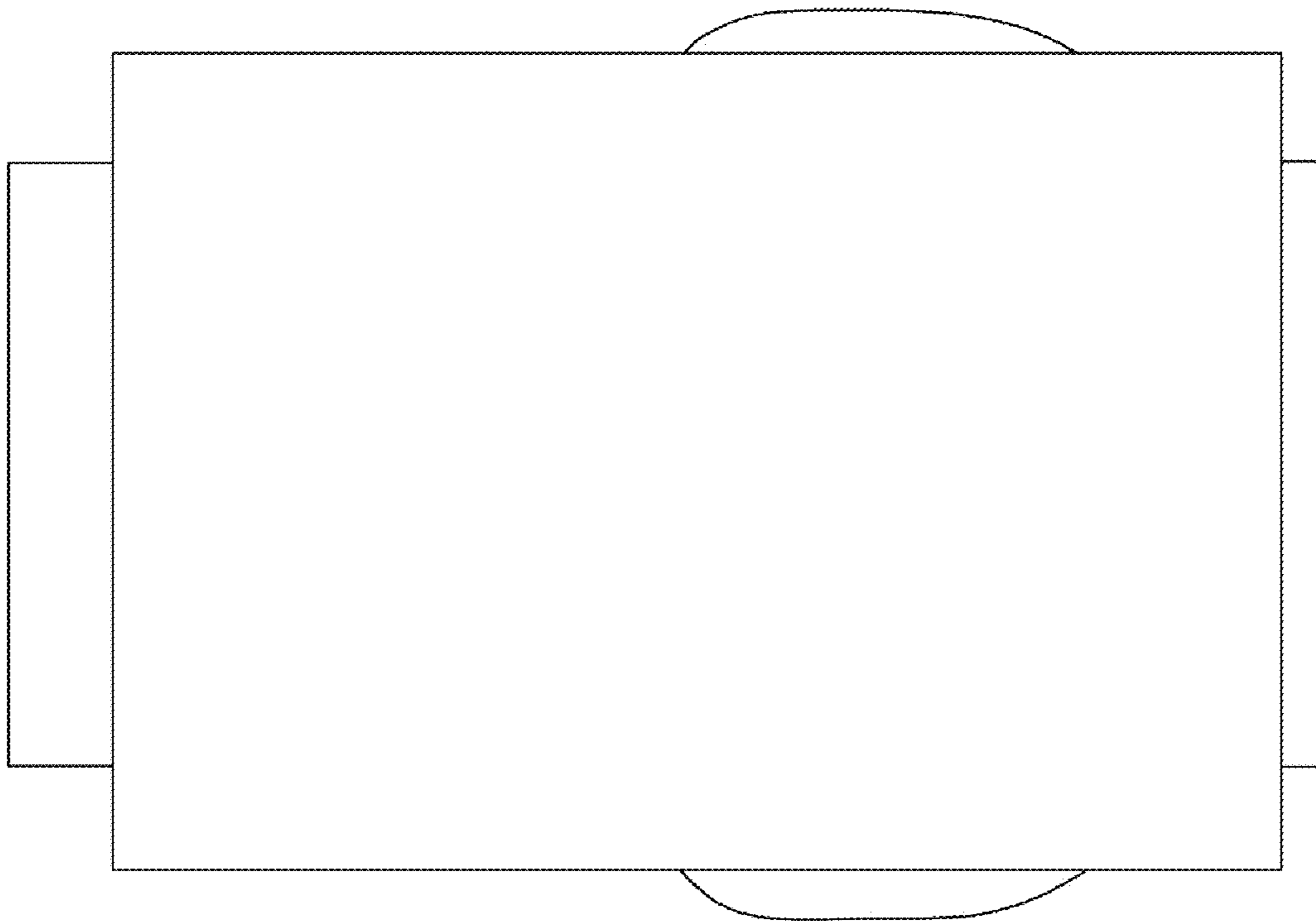


Fig. 14

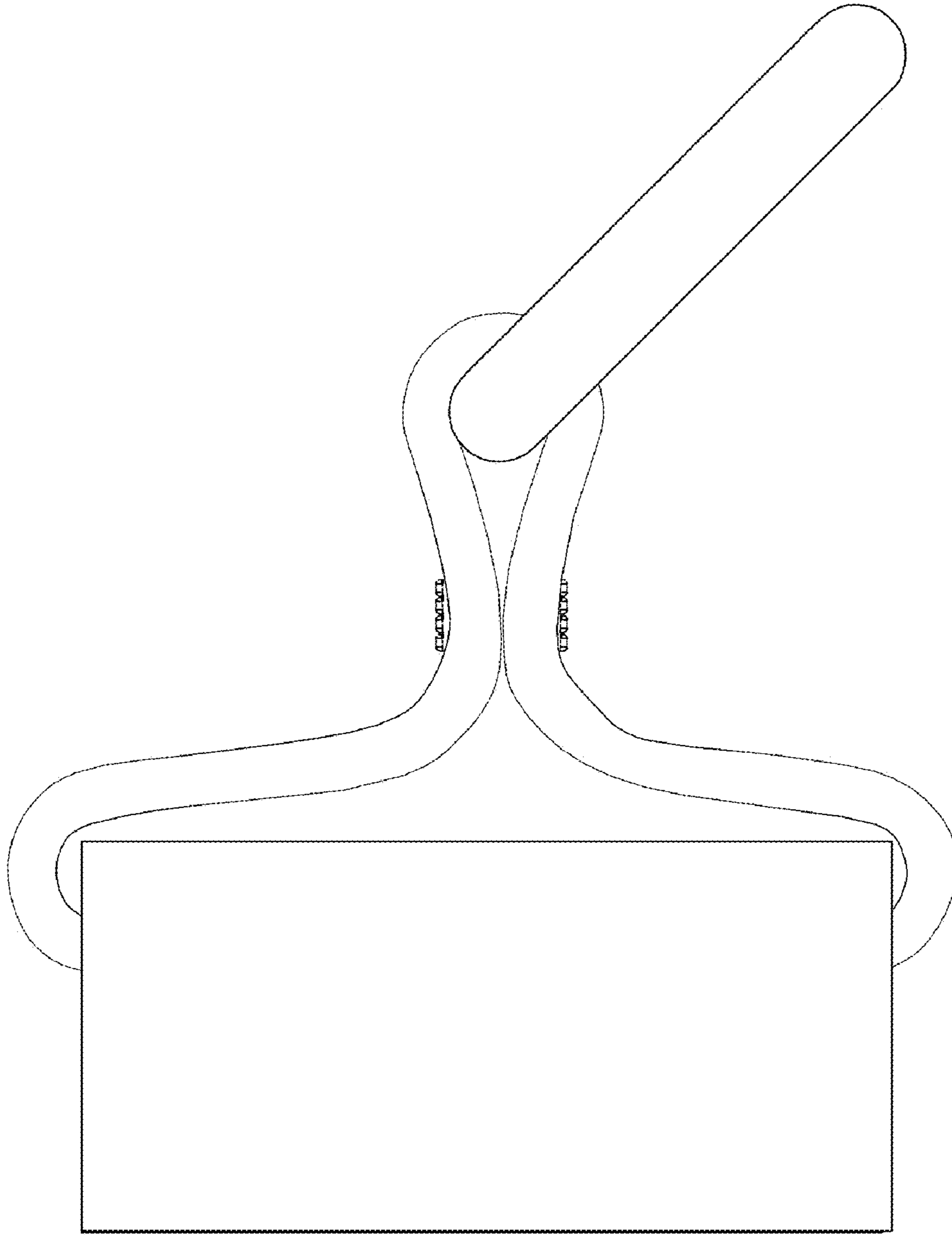


Fig. 15

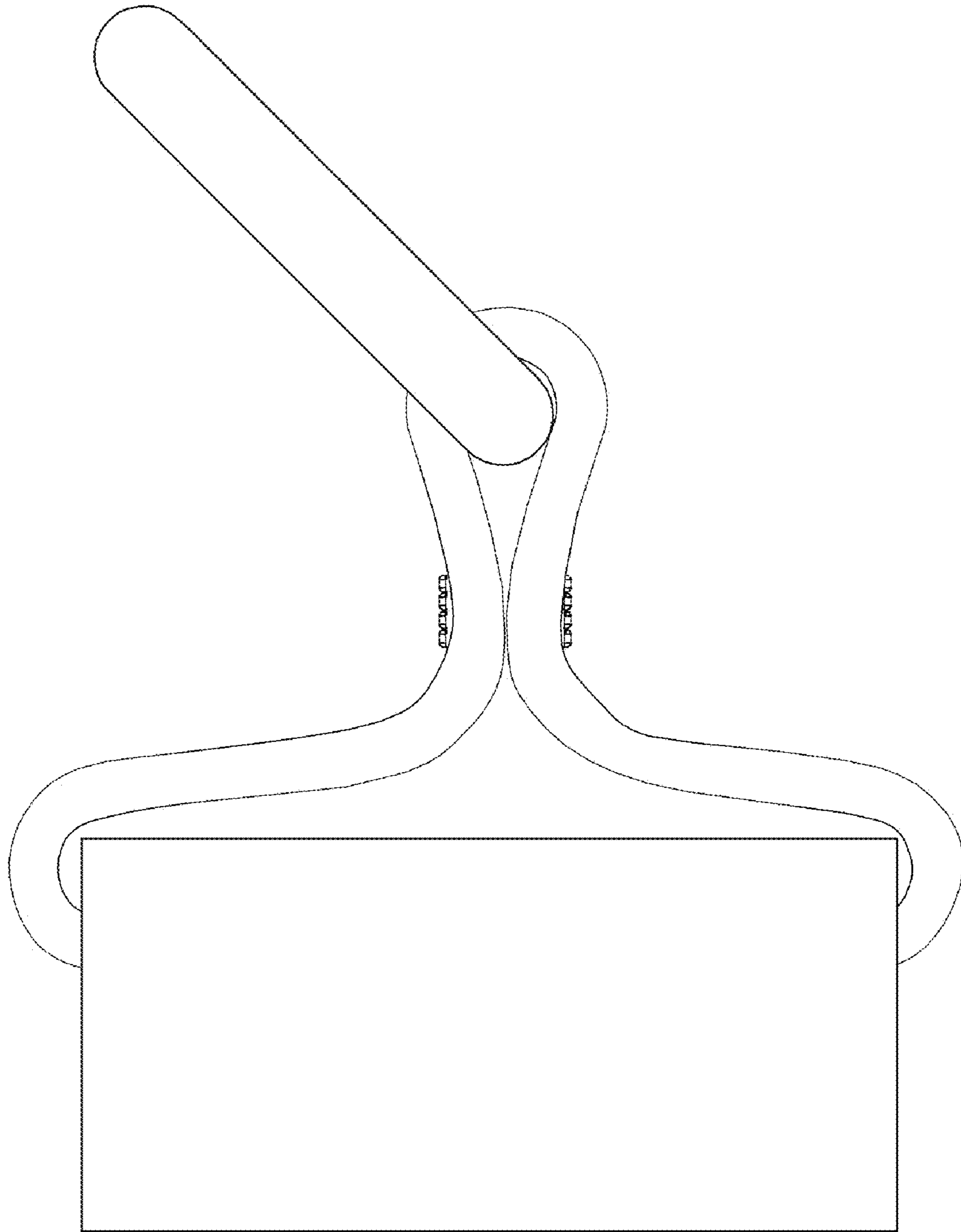


Fig. 16

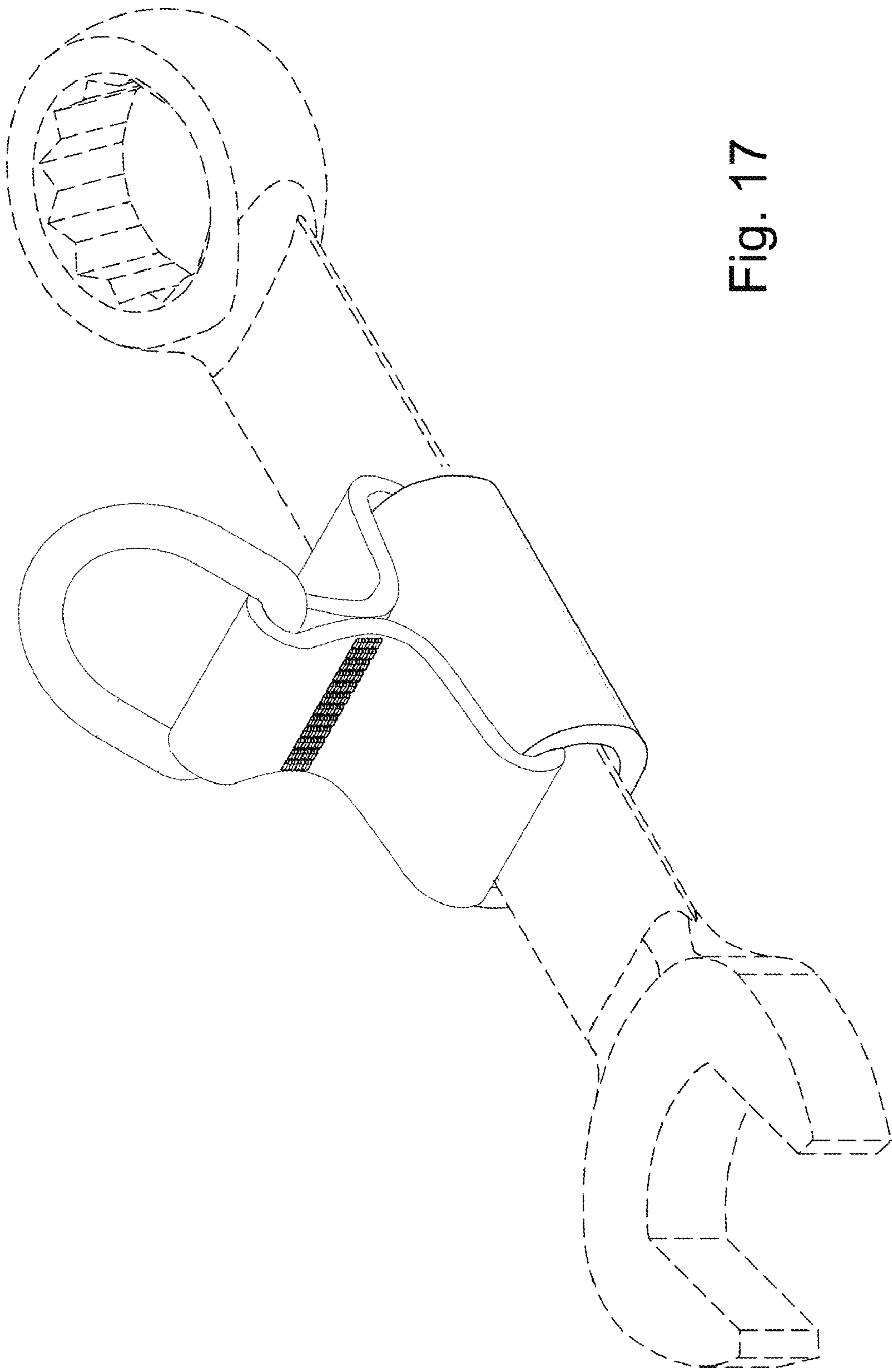


Fig. 17