



US00D676310S

(12) **United States Design Patent**  
**Lowrance**

(10) **Patent No.:** **US D676,310 S**

(45) **Date of Patent:** **\*\* Feb. 19, 2013**

(54) **STRAP EXTENSION DEVICE**

(75) Inventor: **Steve L. Lowrance**, Naturita, CO (US)

(73) Assignees: **Steve J. Lowrance**, Naturita, CO (US);  
**Tami J. Lowrance**, Naturita, CO (US)

(\*\*) Term: **14 Years**

(21) Appl. No.: **29/425,851**

(22) Filed: **Jun. 27, 2012**

(51) **LOC (9) Cl.** ..... **08-05**

(52) **U.S. Cl.** ..... **D8/356**

(58) **Field of Classification Search** ..... D8/367,  
D8/353, 354, 349, 356, 352, 351, 381; D6/323;  
248/301, 304, 214, 215; 482/44

See application file for complete search history.

(56) **References Cited**

**U.S. PATENT DOCUMENTS**

738,650	A	9/1903	Zeller	
1,861,029	A	5/1932	Sand	
1,996,517	A	4/1935	Lederer	
2,110,772	A	3/1938	Myrberg et al.	
3,398,714	A *	8/1968	Kock et al.	114/218
3,606,316	A *	9/1971	Krewer	482/47
3,805,338	A	4/1974	Krueger	
5,423,644	A	6/1995	First, Sr.	
5,582,334	A *	12/1996	Blazer et al.	223/86
7,000,263	B2	2/2006	McNeal	
7,143,708	B1 *	12/2006	Cimino	114/219
D564,869	S *	3/2008	Peterson	D8/382
7,381,156	B2 *	6/2008	Silagy	482/47
D613,585	S *	4/2010	Haddock	D8/367
D640,530	S *	6/2011	Perez	D8/356
D642,448	S *	8/2011	Lee et al.	D8/356

D646,151	S *	10/2011	Potts et al.	D8/367
D663,274	S *	7/2012	Gretz	D13/155
2004/0046077	A1	3/2004	Kramer	
2007/0193006	A1	8/2007	Kitano et al.	
2007/0209165	A1 *	9/2007	Sorensen et al.	24/130

\* cited by examiner

*Primary Examiner* — Cynthia Underwood

(74) *Attorney, Agent, or Firm* — Aileen Law; A Law Firm, PC

(57) **CLAIM**

The ornamental design for a strap extension device, as shown and described.

**DESCRIPTION**

FIG. 1 is a front elevation view of my new design for a strap extension device;

FIG. 2 is a top plan view of FIG. 1;

FIG. 3 is a bottom plan view of FIG. 1;

FIG. 4 is a right side elevation view of FIG. 1, a left side elevation view being identical;

FIG. 5 is a front and right side perspective view of the design shown in use.

FIG. 6 is a front elevation view of another embodiment of my new design for a strap extension device;

FIG. 7 is a top plan view of FIG. 6;

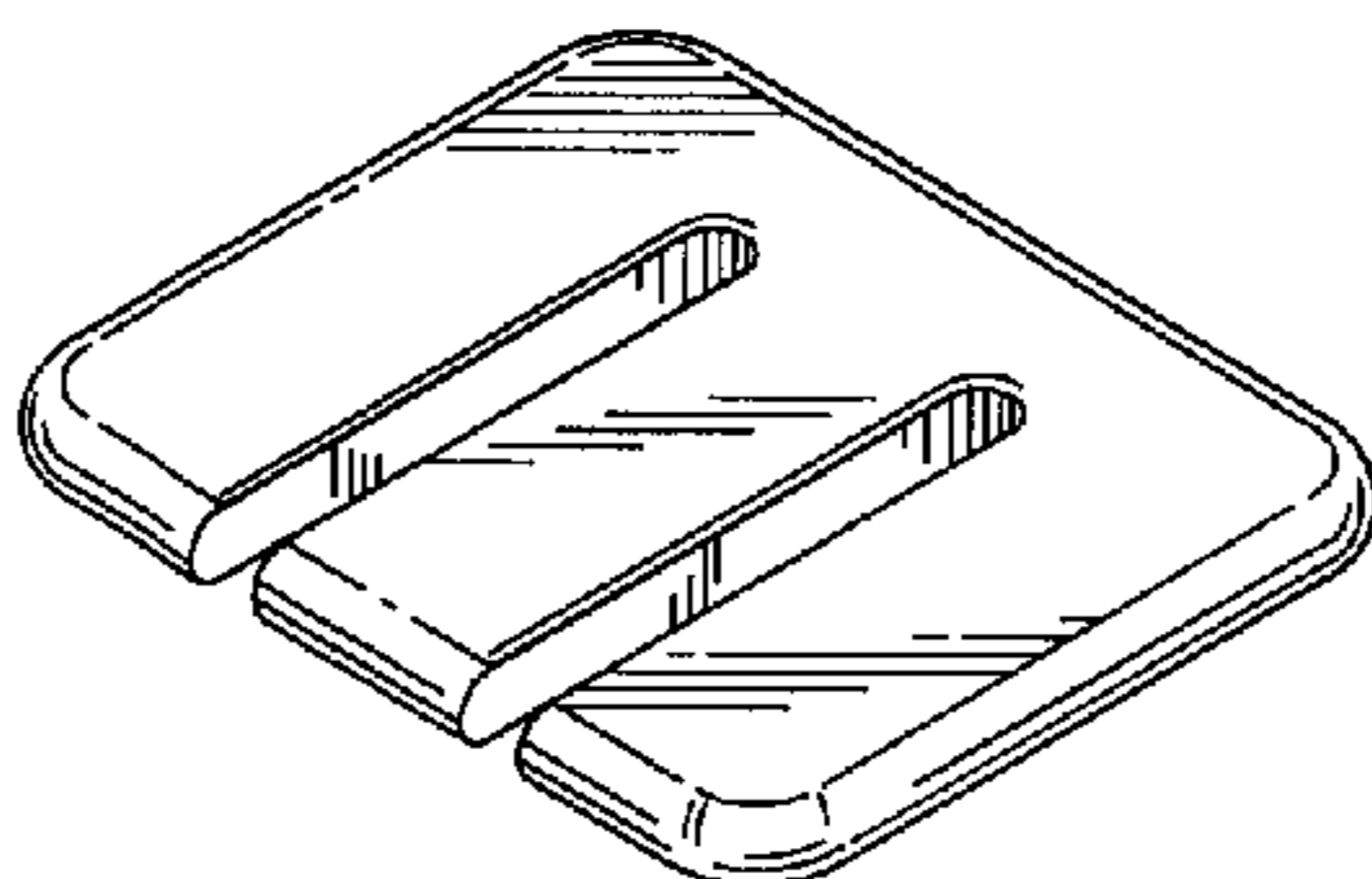
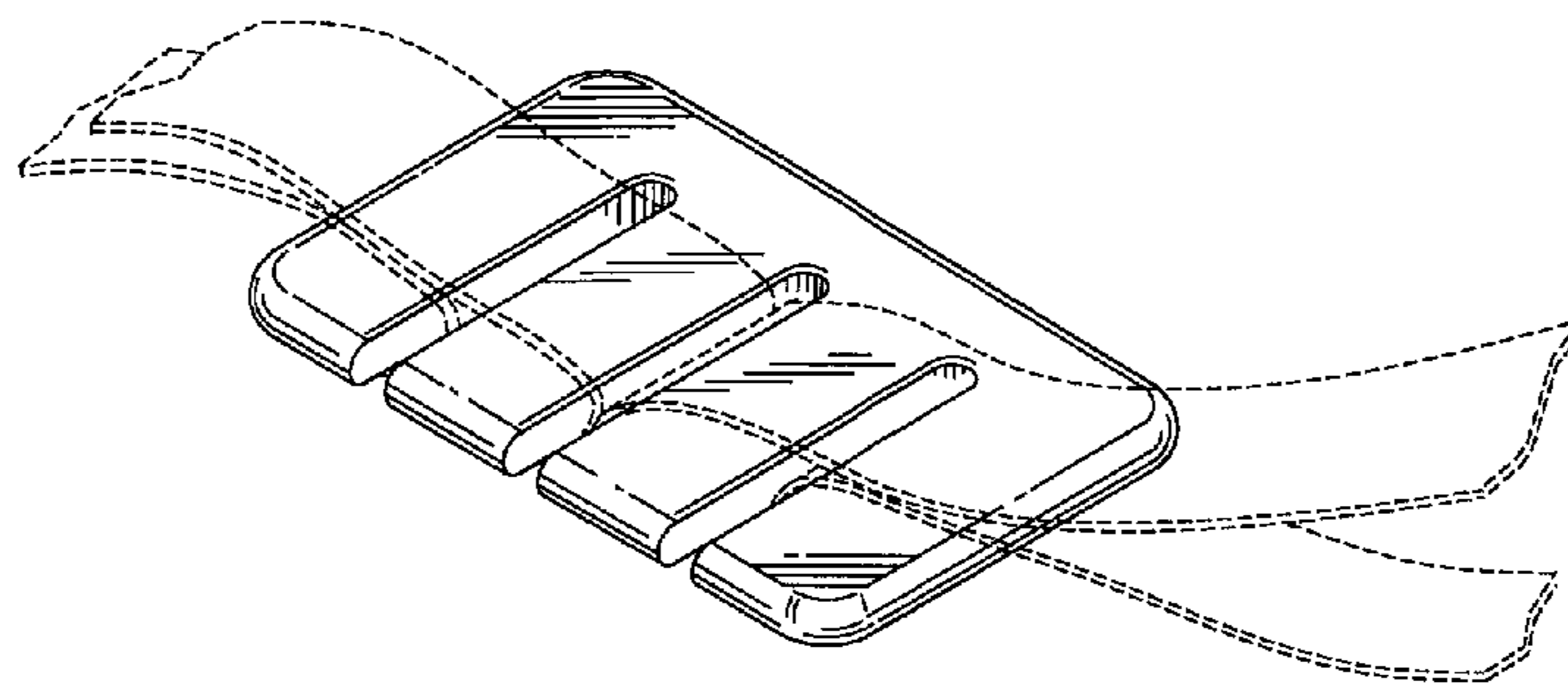
FIG. 8 is a bottom plan view of FIG. 6;

FIG. 9 is a right side elevation view of FIG. 6, a left side elevation view being identical; and,

FIG. 10 is a front and right side perspective view thereof.

The broken lines shown in the drawings illustrate environment and form no part of the claimed design.

**1 Claim, 1 Drawing Sheet**



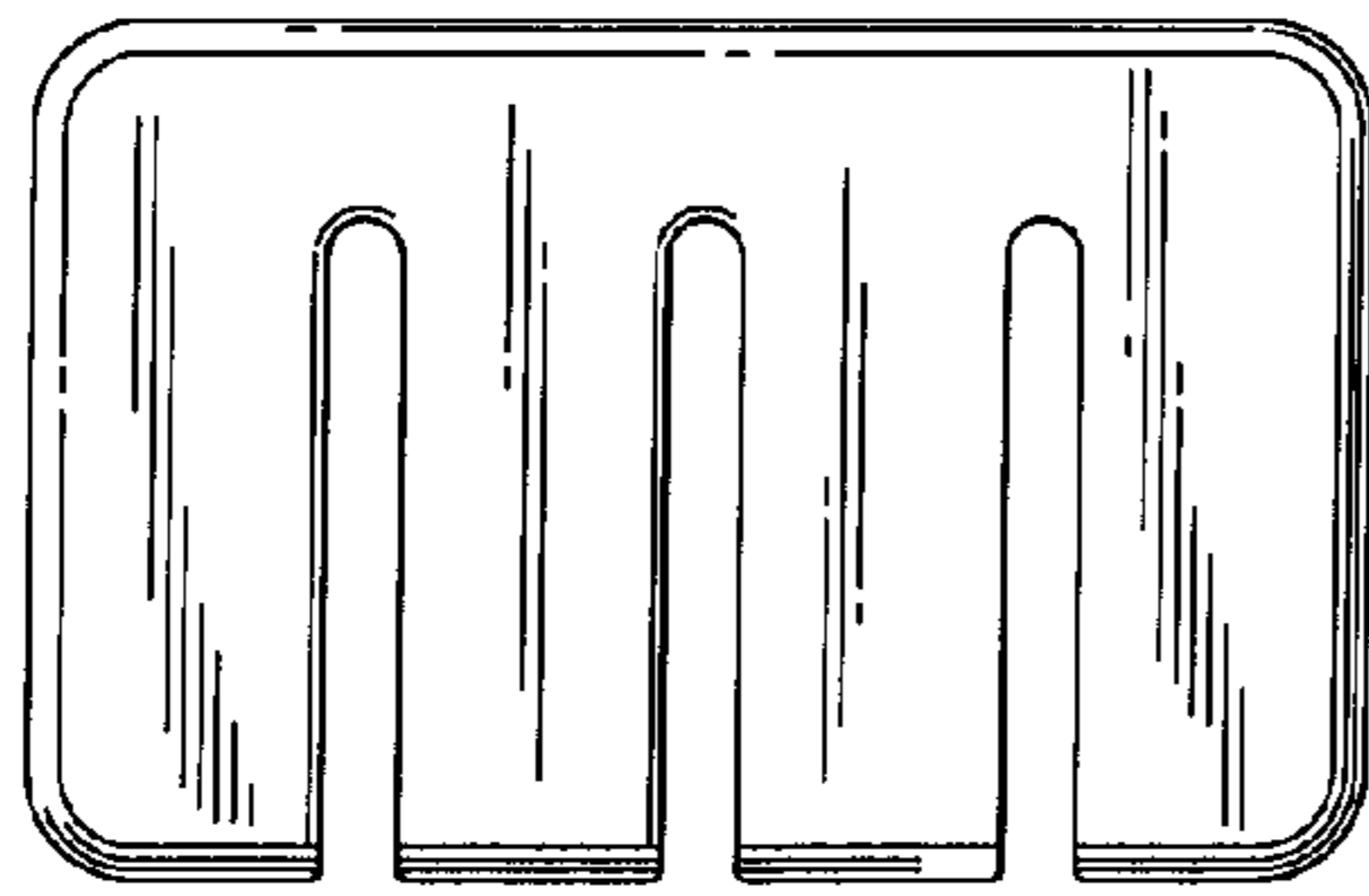


FIG. 1

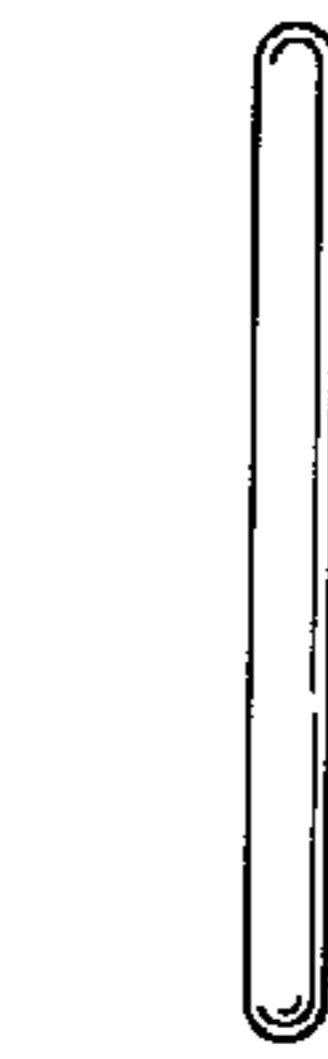


FIG. 4

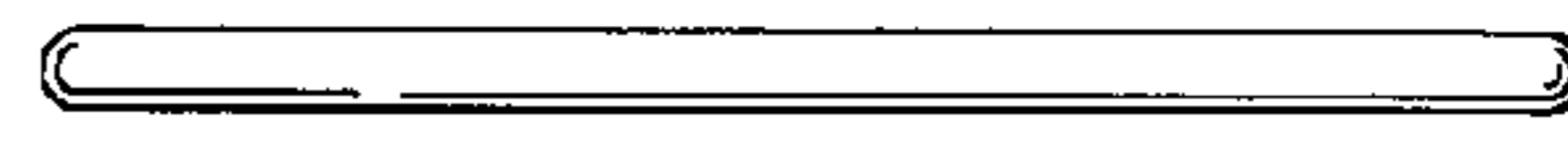


FIG. 2



FIG. 3

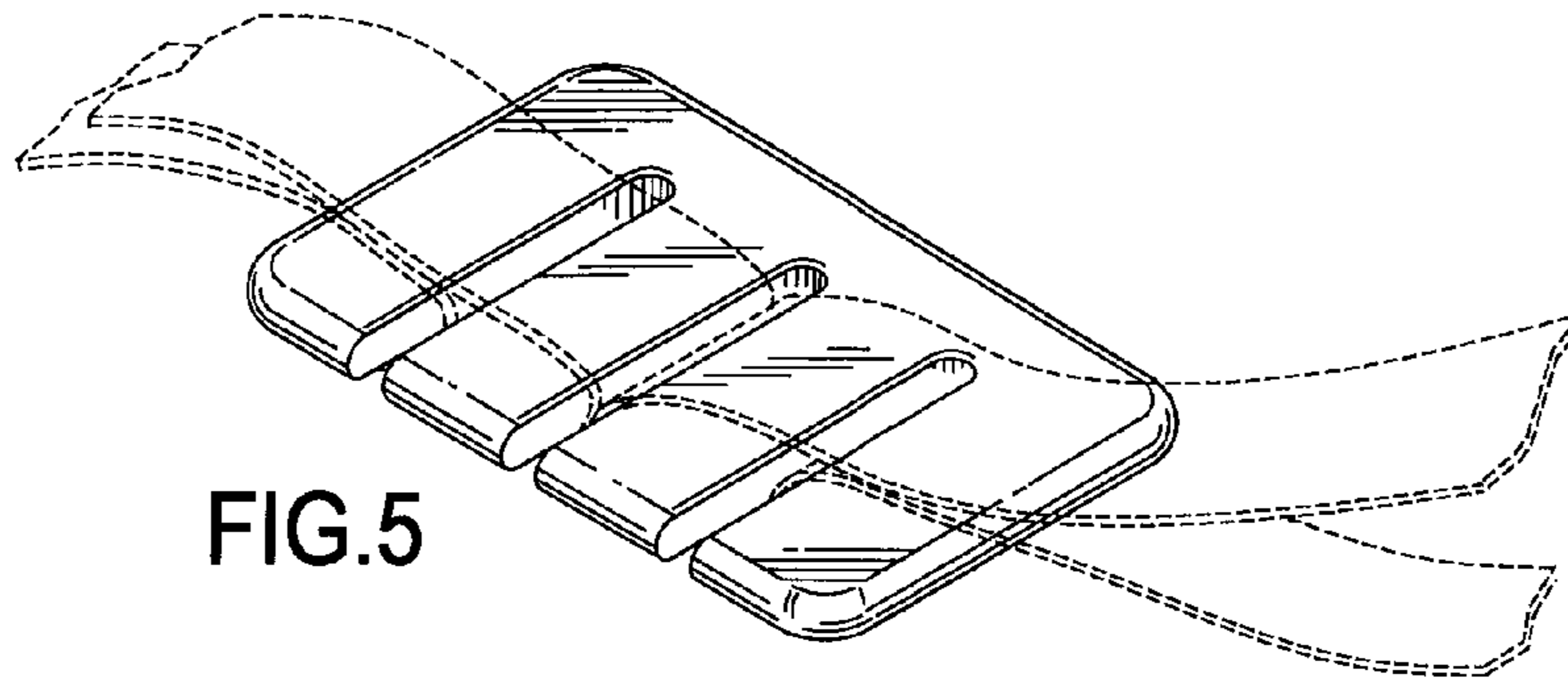


FIG. 5

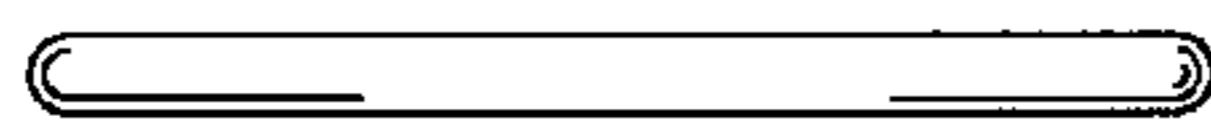


FIG. 7

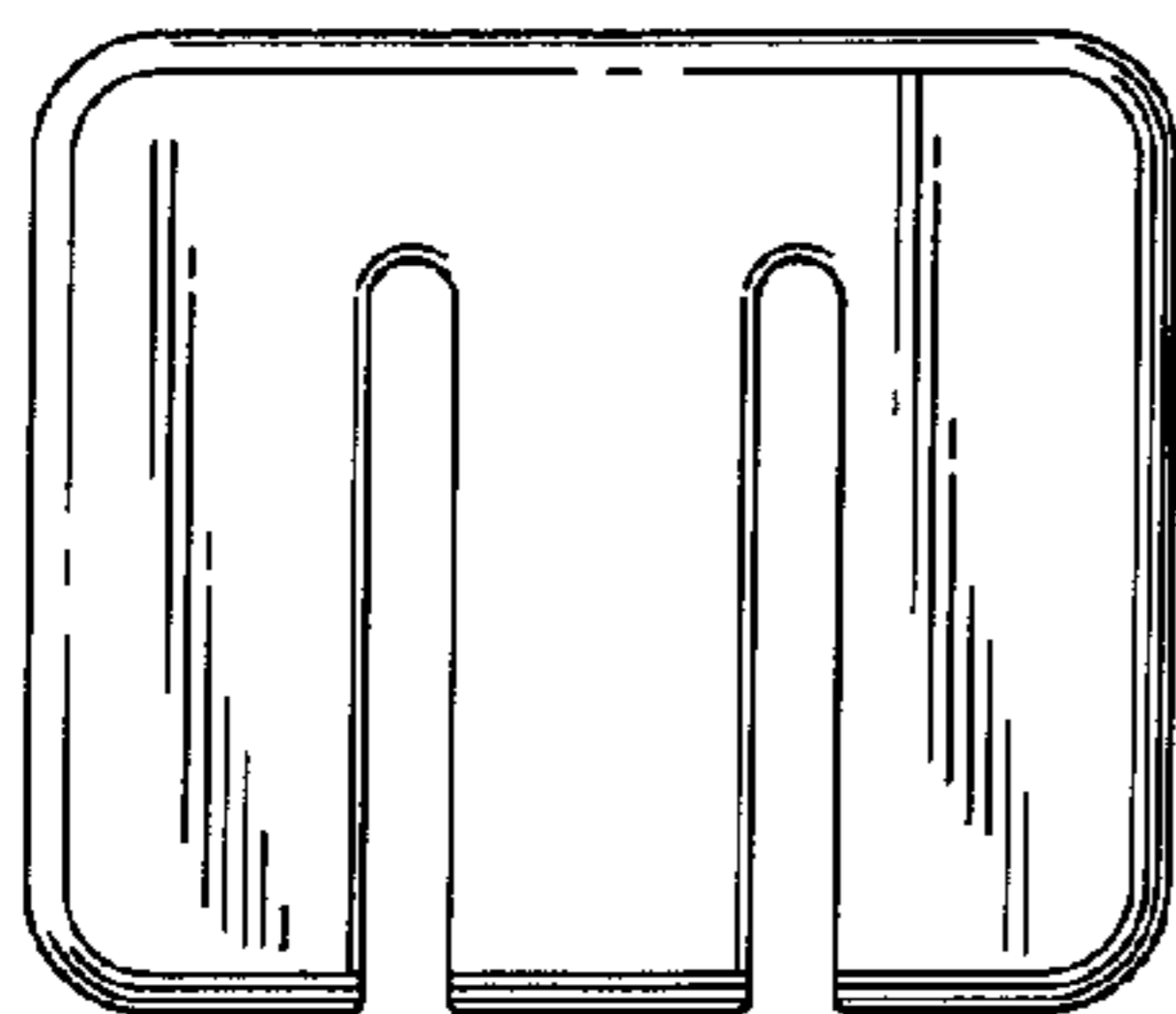


FIG. 6



FIG. 9

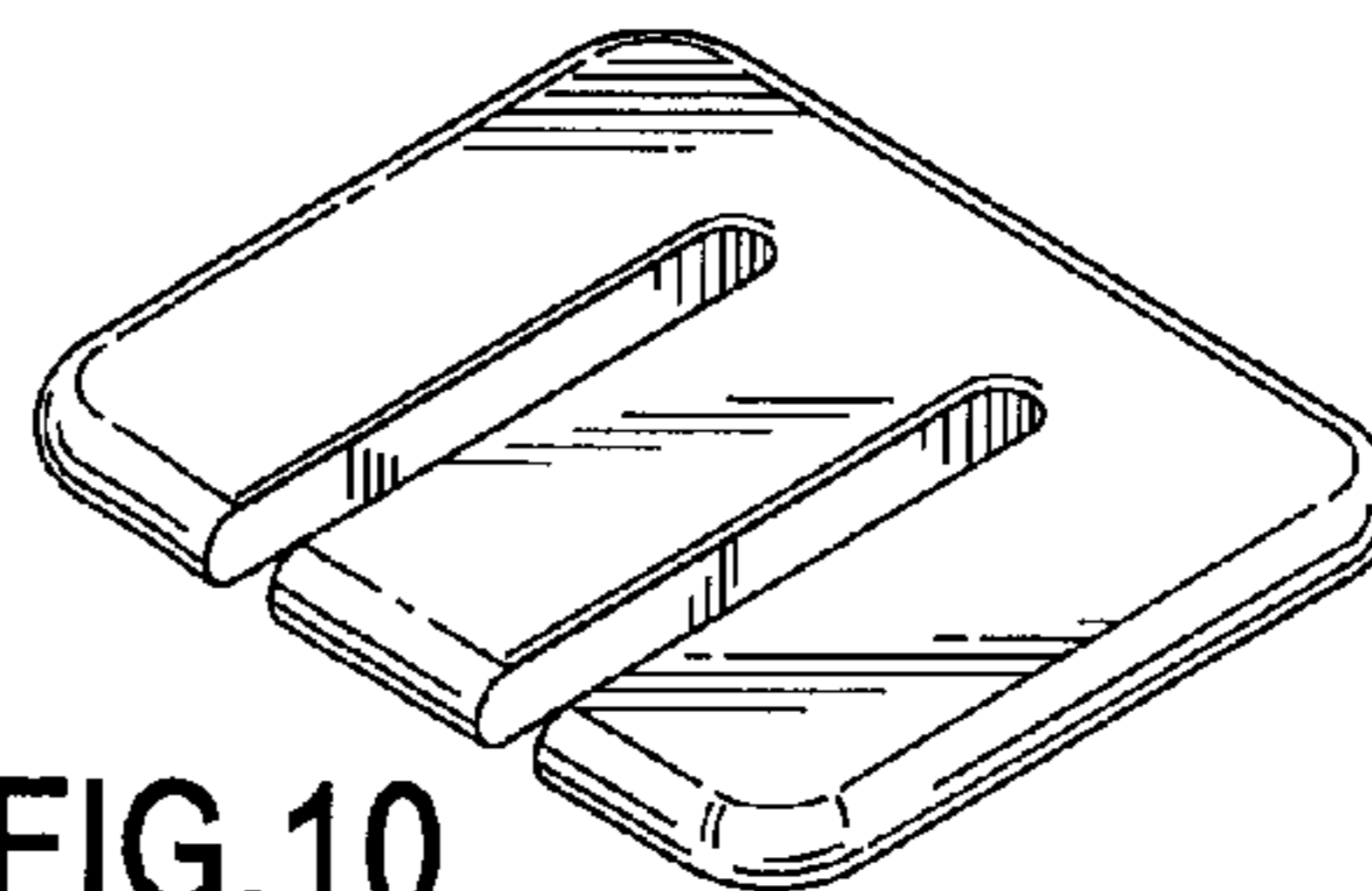


FIG. 10

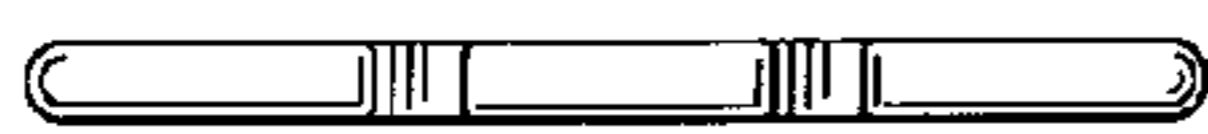


FIG. 8