



US00D676309S

(12) **United States Design Patent**
Bailey et al.

(10) **Patent No.:** **US D676,309 S**
(45) **Date of Patent:** **** Feb. 19, 2013**

(54) **BASE FOR A DEVICE**

(75) Inventors: **Brent Bailey**, Winter Springs, FL (US);
David M. Danielson, Sorrento, FL (US)

(73) Assignee: **Faro Technologies, Inc.**, Lake Mary, FL (US)

(**) Term: **14 Years**

(21) Appl. No.: **29/379,172**

(22) Filed: **Nov. 16, 2010**

(51) **LOC (9) Cl.** **08-05**

(52) **U.S. Cl.** **D8/354**

(58) **Field of Classification Search** D8/349,
D8/354; D10/63; 33/503, 1 M; 248/309.1,
248/274.1, 284.1

See application file for complete search history.

(56) **References Cited**

U.S. PATENT DOCUMENTS

1,538,758	A *	5/1925	Taylor	277/460
5,768,792	A	6/1998	Raab	
5,926,782	A	7/1999	Raab	
5,956,857	A *	9/1999	Raab	33/503
5,978,748	A	11/1999	Raab	
D423,534	S	4/2000	Raab et al.	
6,131,299	A	10/2000	Raab et al.	
6,151,789	A	11/2000	Raab et al.	
D441,632	S	5/2001	Raab et al.	
6,253,458	B1	7/2001	Raab et al.	
6,497,394	B1 *	12/2002	Dunchock	248/205.8
D472,824	S	4/2003	Raab et al.	
D491,210	S	6/2004	Raab et al.	
6,931,745	B2 *	8/2005	Granger	33/503
7,024,032	B2	4/2006	Kidd et al.	
7,174,651	B2 *	2/2007	Raab et al.	33/503
7,246,030	B2 *	7/2007	Raab et al.	702/152
7,269,910	B2 *	9/2007	Raab et al.	33/503
D551,943	S *	10/2007	Hodjat et al.	D8/349
7,296,364	B2 *	11/2007	Seitz et al.	33/559
7,296,955	B2 *	11/2007	Dreier	409/218
7,296,979	B2 *	11/2007	Raab et al.	417/151
D559,657	S *	1/2008	Wohlford et al.	D8/354
7,525,276	B2	4/2009	Eaton	
7,568,293	B2 *	8/2009	Ferrari	33/503

D599,226	S	9/2009	Gerent et al.	
7,624,510	B2	12/2009	Ferrari	
D607,350	S	1/2010	Cooduvalli et al.	
D610,926	S *	3/2010	Gerent et al.	D10/63
7,693,325	B2	4/2010	Pulla et al.	
7,743,524	B2	6/2010	Eaton et al.	
7,779,548	B2	8/2010	Ferrari	
7,779,553	B2	8/2010	Jordil et al.	
2006/0186301	A1 *	8/2006	Dozier et al.	248/371
2006/0291970	A1	12/2006	Granger	
2008/0052936	A1	3/2008	Briggs et al.	
2008/0148585	A1	6/2008	Raab et al.	
2009/0083985	A1	4/2009	Ferrari	
2009/0249634	A1	10/2009	Pettersson	
2010/0095542	A1	4/2010	Ferrari	
2010/0208062	A1	8/2010	Pettersson	
2010/0325907	A1	12/2010	Tait	

FOREIGN PATENT DOCUMENTS

EP	2068067	6/2009
EP	2068114	6/2009
WO	2009130169	10/2009

* cited by examiner

Primary Examiner — Mark Goodwin

(74) *Attorney, Agent, or Firm* — Cantor Colburn LLP

(57) **CLAIM**

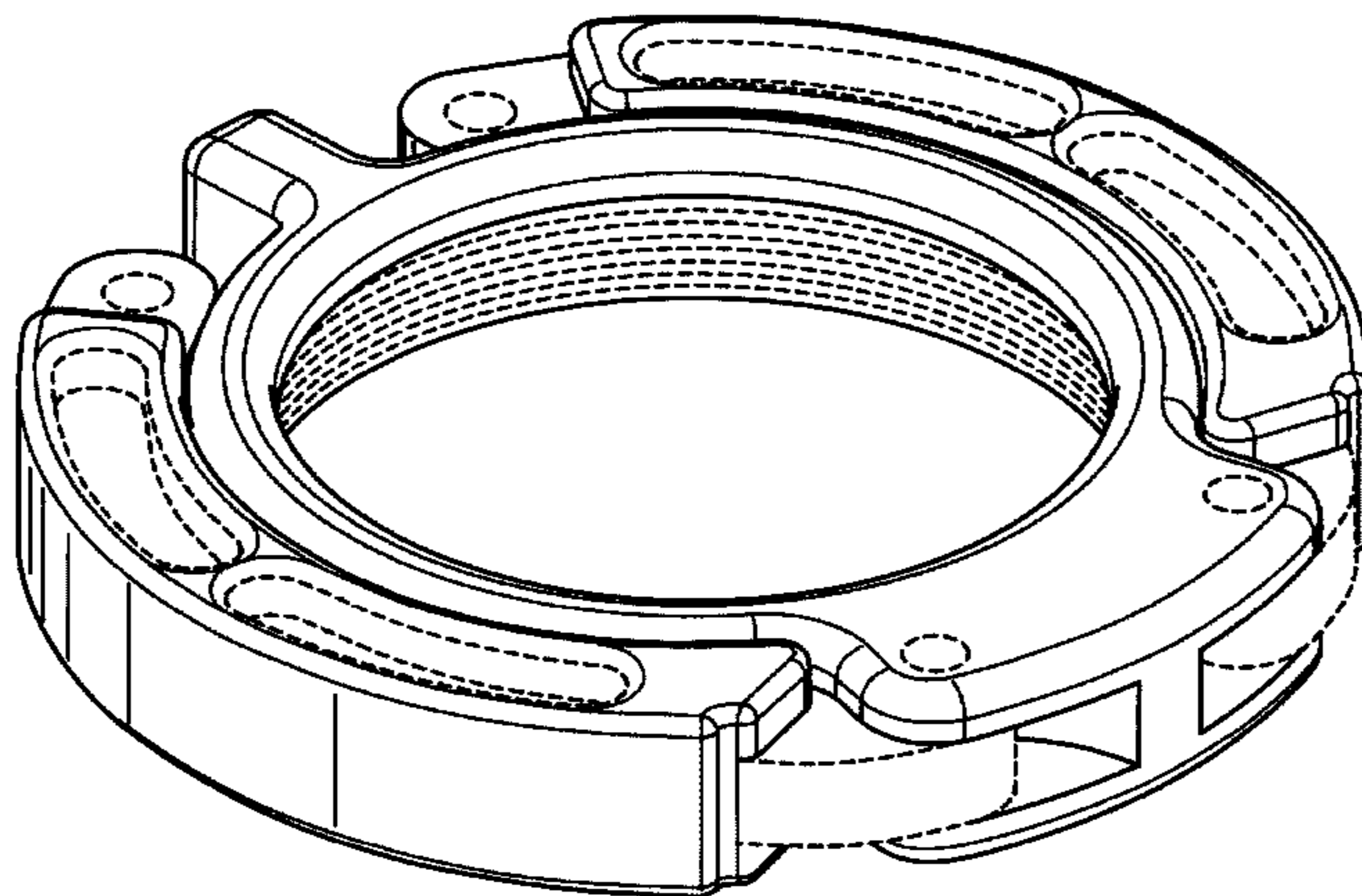
We claim, the ornamental design for a base for a device, as shown and described.

DESCRIPTION

FIG. 1 is a top perspective view of a base for a device showing our new design;
FIG. 2 is a front view thereof;
FIG. 3 is a first side view thereof;
FIG. 4 is a second side view thereof;
FIG. 5 is a top plan view thereof;
FIG. 6 is a bottom plan view thereof;
FIG. 7 is a top perspective view of FIG. 1 shown in an open position thereof; and,
FIG. 8 is a bottom perspective view thereof shown in use condition.

The broken line showing of various surface features is included for the purpose of illustrating portions of a base for a device and the broken line showing of a device in FIG. 8 is for illustrative purposes only and forms no part of the claimed design.

1 Claim, 6 Drawing Sheets



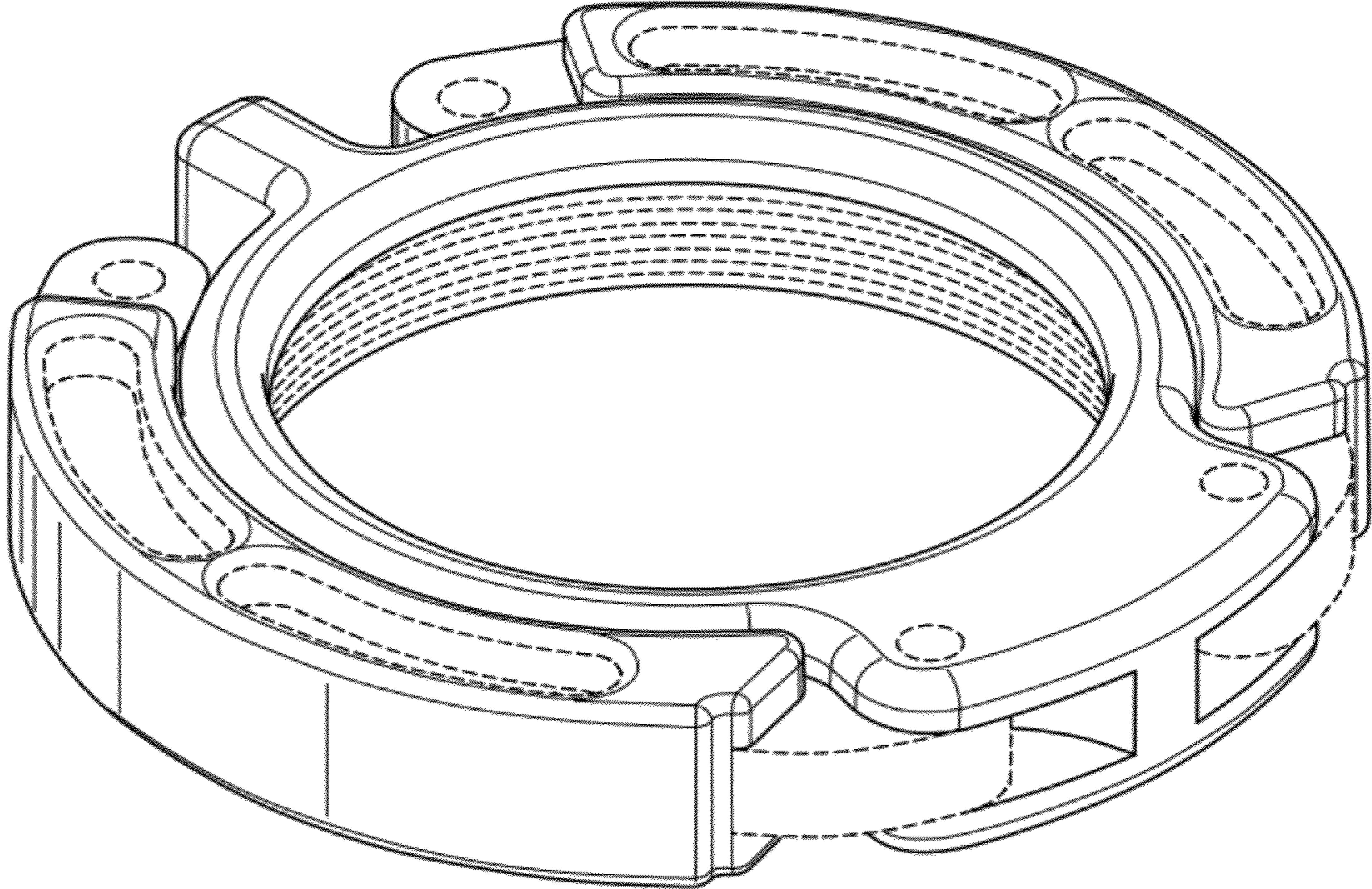


FIG. 1

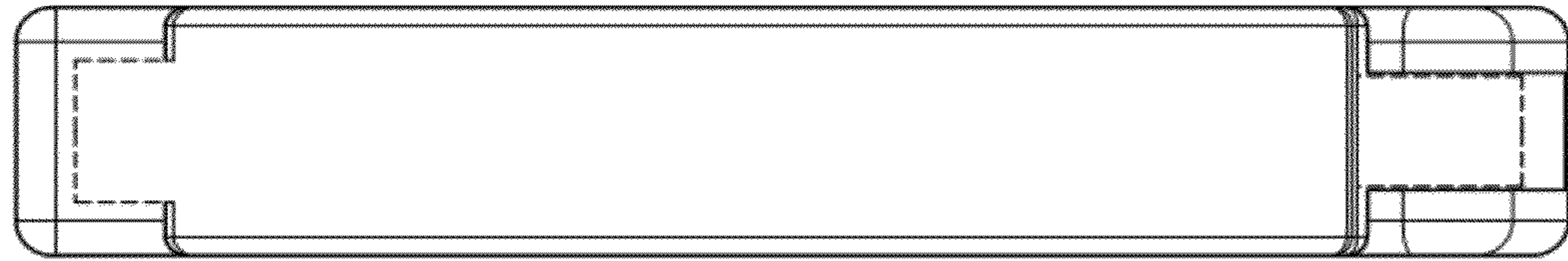


FIG. 2

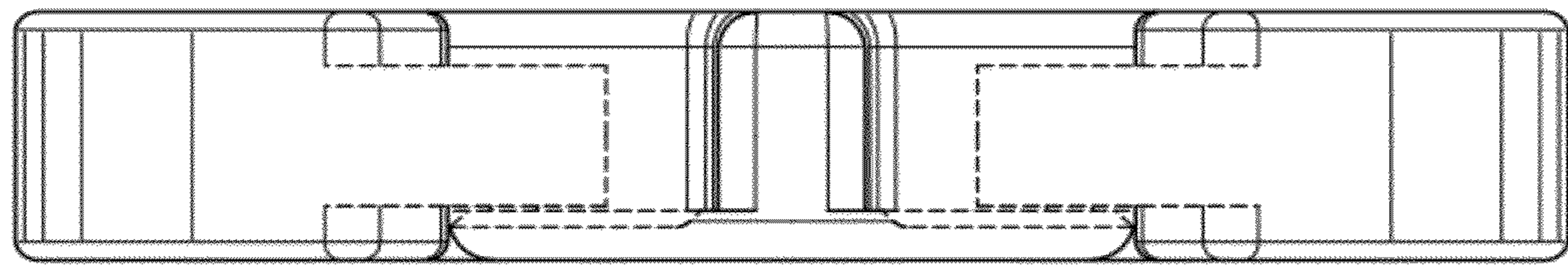


FIG. 3

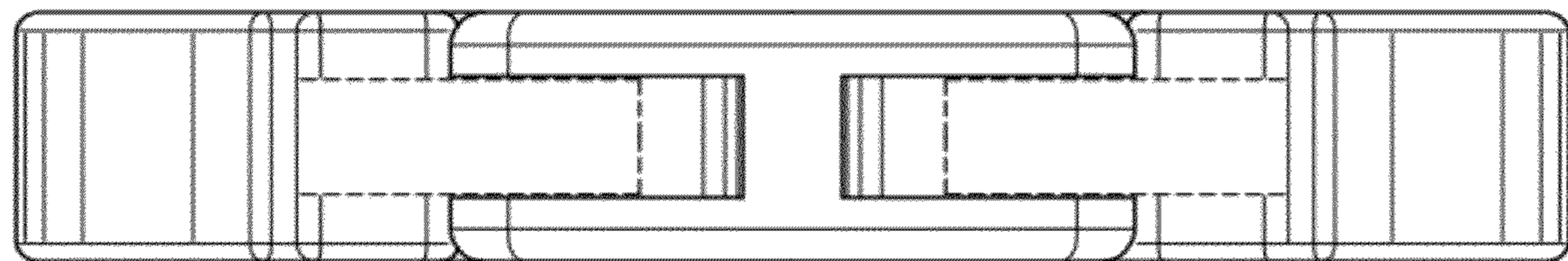


FIG. 4

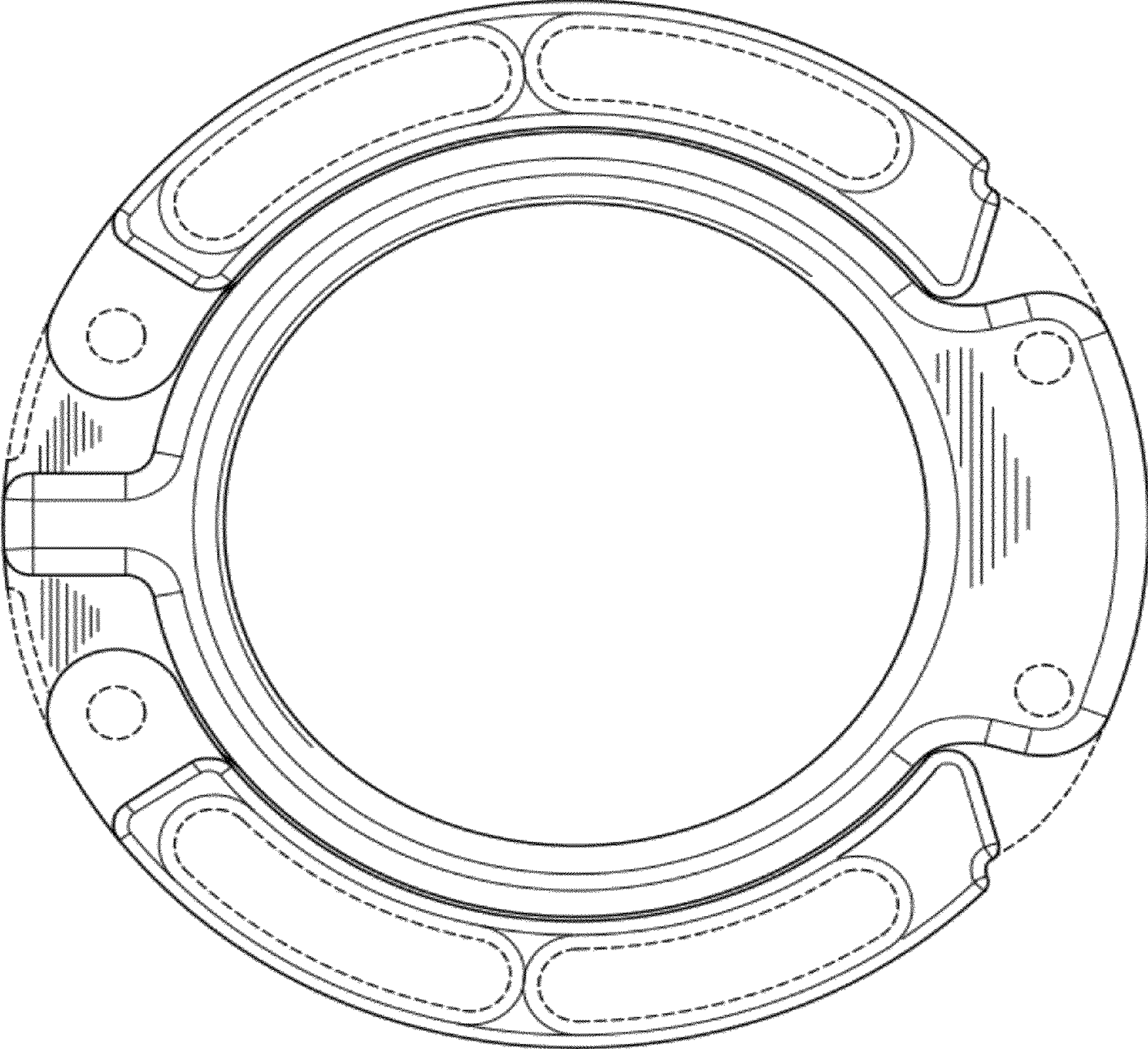


FIG. 5

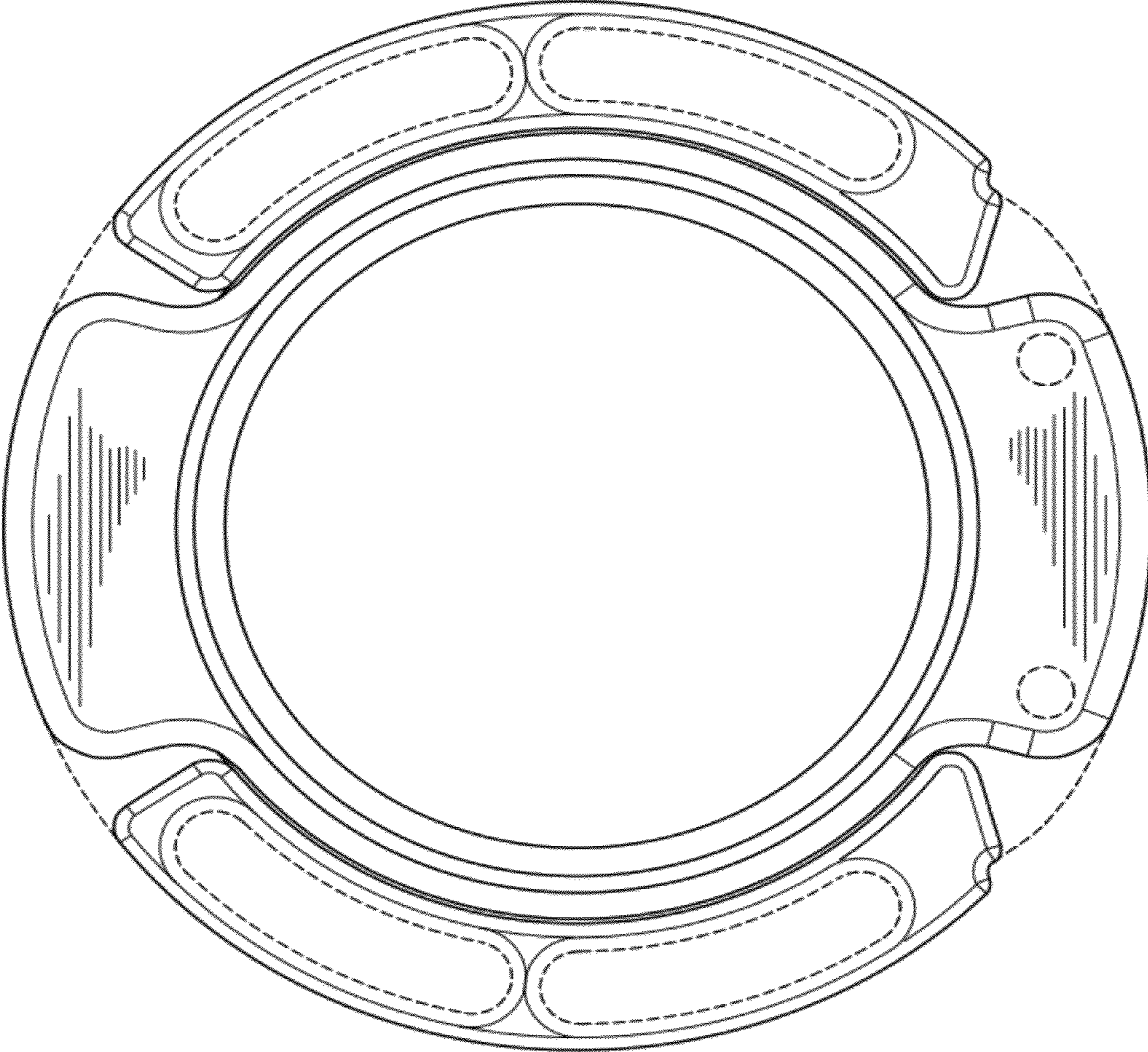


FIG. 6

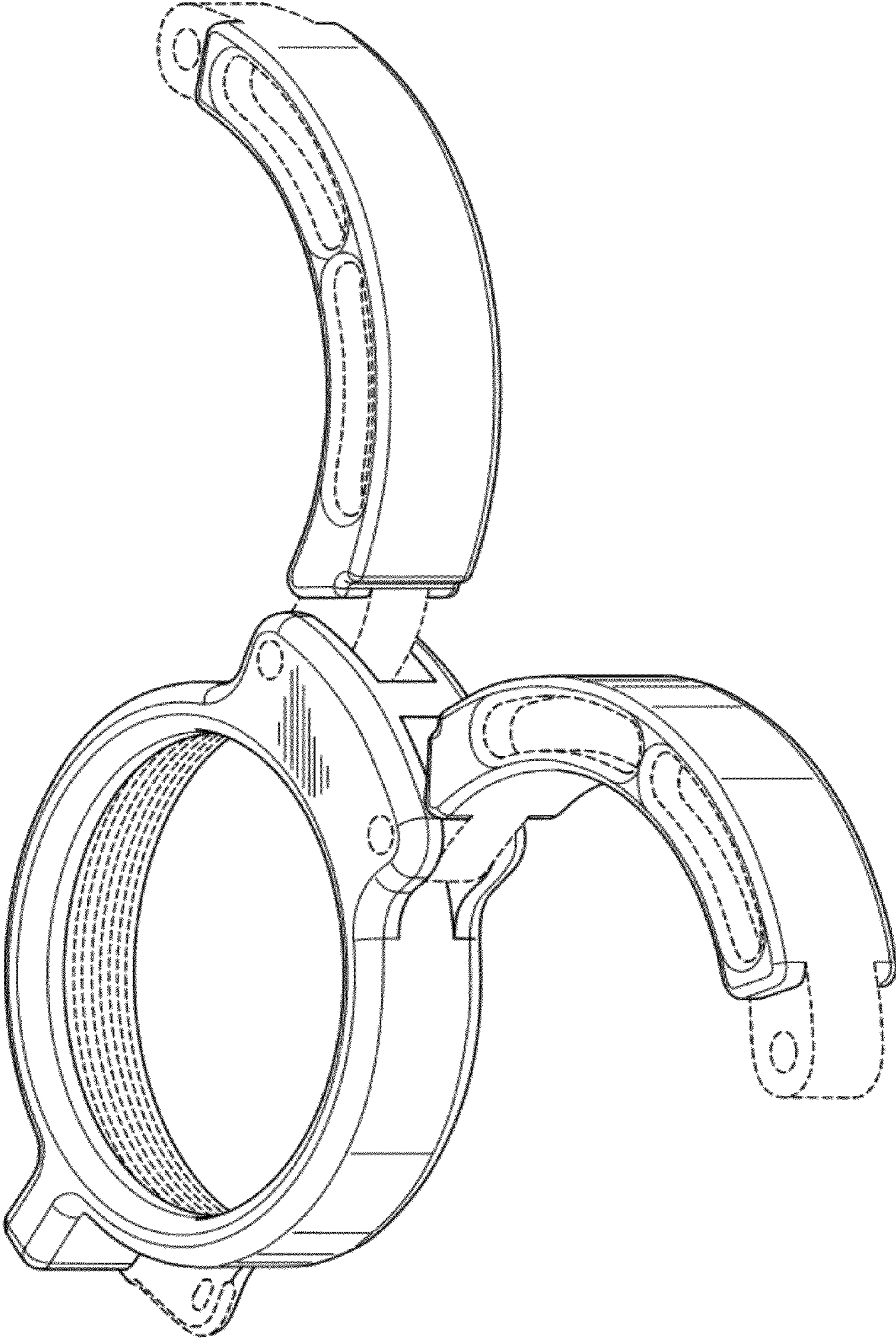


FIG. 7

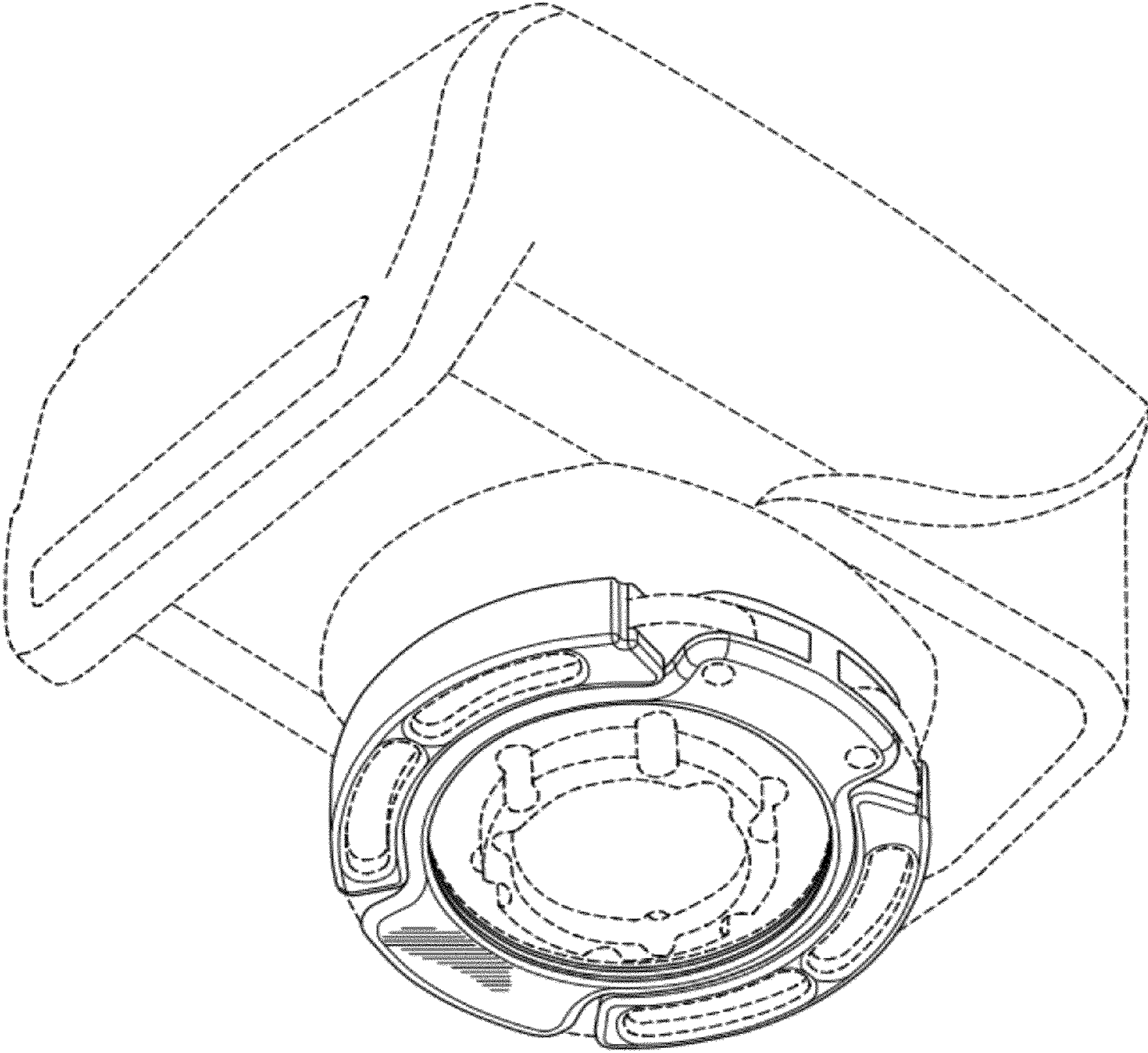


FIG. 8