



US00D676305S

(12) **United States Design Patent**  
**Yu et al.**

(10) **Patent No.:** **US D676,305 S**

(45) **Date of Patent:** **\*\* Feb. 19, 2013**

(54) **VEHICLE INTERIOR HANDLE**

(75) Inventors: **Simon H Yu**, Los Angeles, CA (US);  
**Kazuhito Mine**, Torrance, CA (US)

(73) Assignee: **Honda Motor Co., Ltd.**, Tokyo (JP)

(\*\*) Term: **14 Years**

(21) Appl. No.: **29/375,364**

(22) Filed: **Sep. 21, 2010**

(51) **LOC (9) Cl.** ..... **08-06**

(52) **U.S. Cl.** ..... **D8/303**

(58) **Field of Classification Search** ..... D8/308,  
D8/300, 301, 302, 303, 313, 315, 331, 338,  
D8/341; D12/190, 196; 16/110.1, 402, 412,  
16/444; 70/135, 210; 280/1; 292/165, 336.3,  
292/347, 348, 353, DIG. 3

See application file for complete search history.

(56) **References Cited**

**U.S. PATENT DOCUMENTS**

6,363,577 B1 \* 4/2002 Spitzley ..... 292/336.3  
6,719,336 B2 \* 4/2004 Sato ..... 292/336.3

D529,850 S \* 10/2006 Yu et al. .... D12/195  
D531,101 S \* 10/2006 Yu et al. .... D12/195  
D549,072 S \* 8/2007 Davidson ..... D8/302  
D577,566 S \* 9/2008 Grohmann ..... D8/308  
D586,279 S \* 2/2009 Yamazaki et al. .... D12/195  
D593,396 S \* 6/2009 Habib ..... D8/308  
D621,679 S \* 8/2010 Ectors et al. .... D8/302

\* cited by examiner

*Primary Examiner* — Derrick Holland

(74) *Attorney, Agent, or Firm* — Plumsea Law Group, LLC;  
Mark E. Duell

(57) **CLAIM**

The ornamental design for a vehicle interior handle, as shown and described.

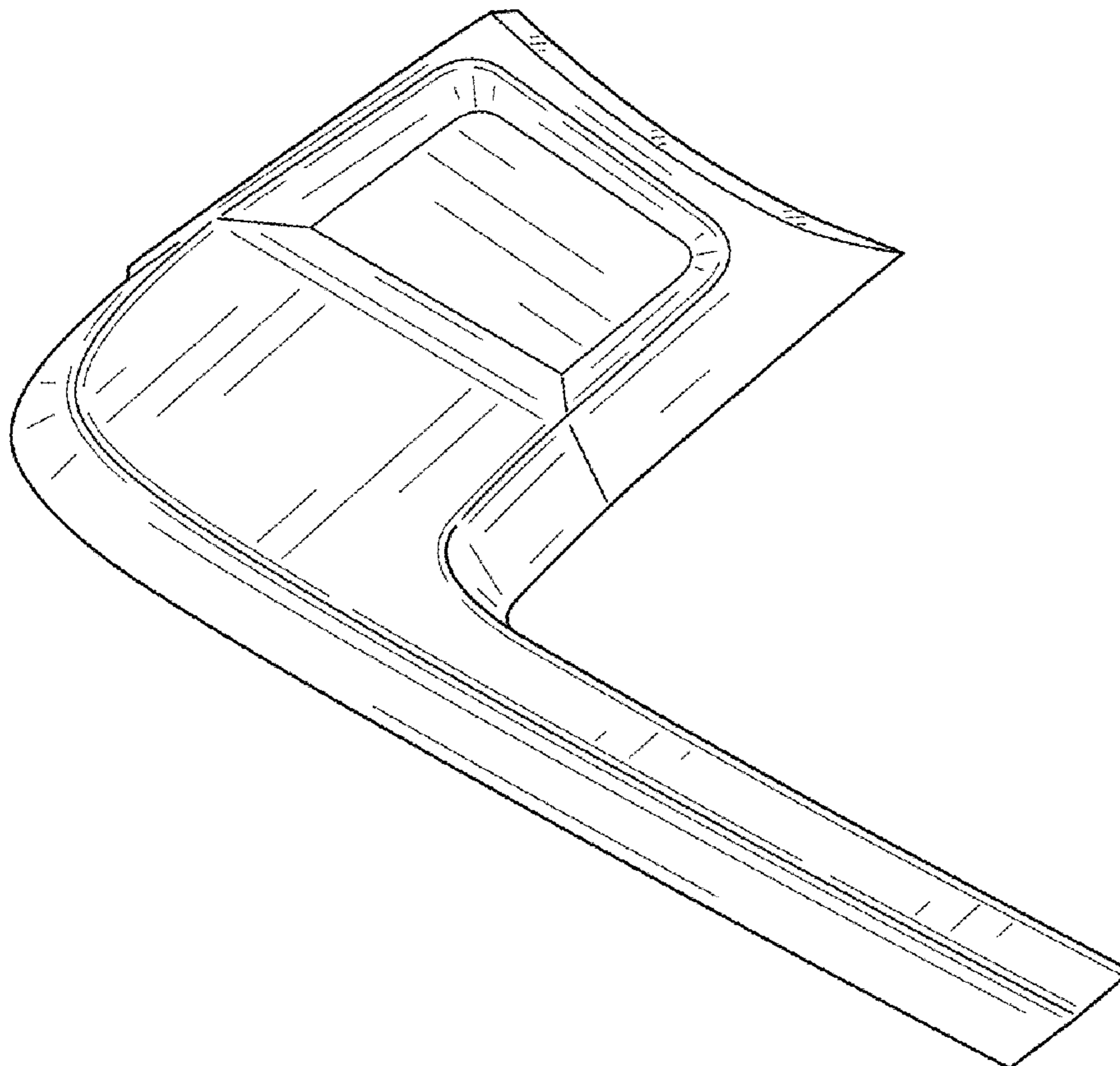
**DESCRIPTION**

FIG. 1 is a perspective view of a vehicle interior handle showing our new design;

FIG. 2 is an alternate perspective view thereof; and,

FIG. 3 is a front view thereof.

**1 Claim, 2 Drawing Sheets**



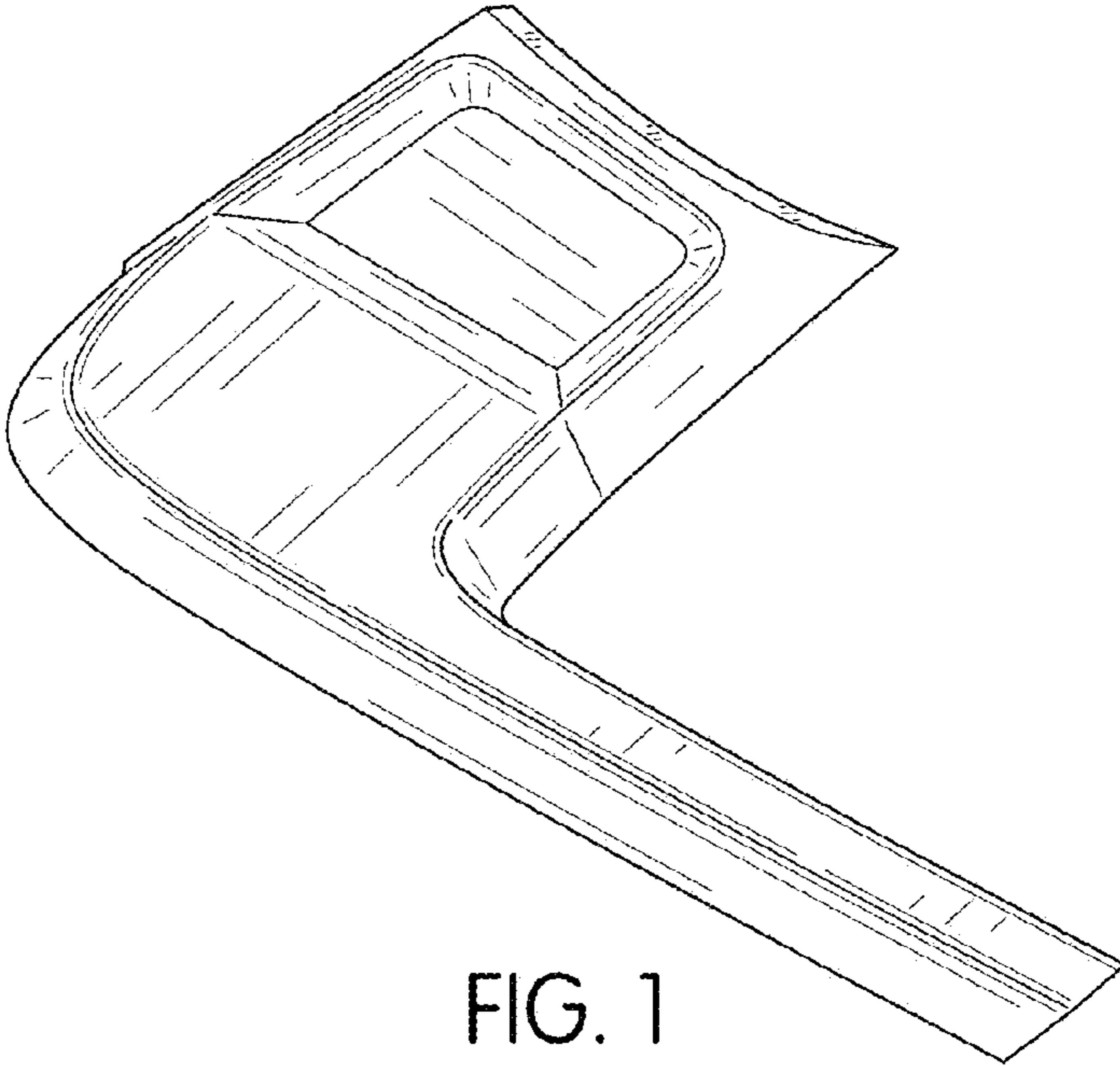


FIG. 1

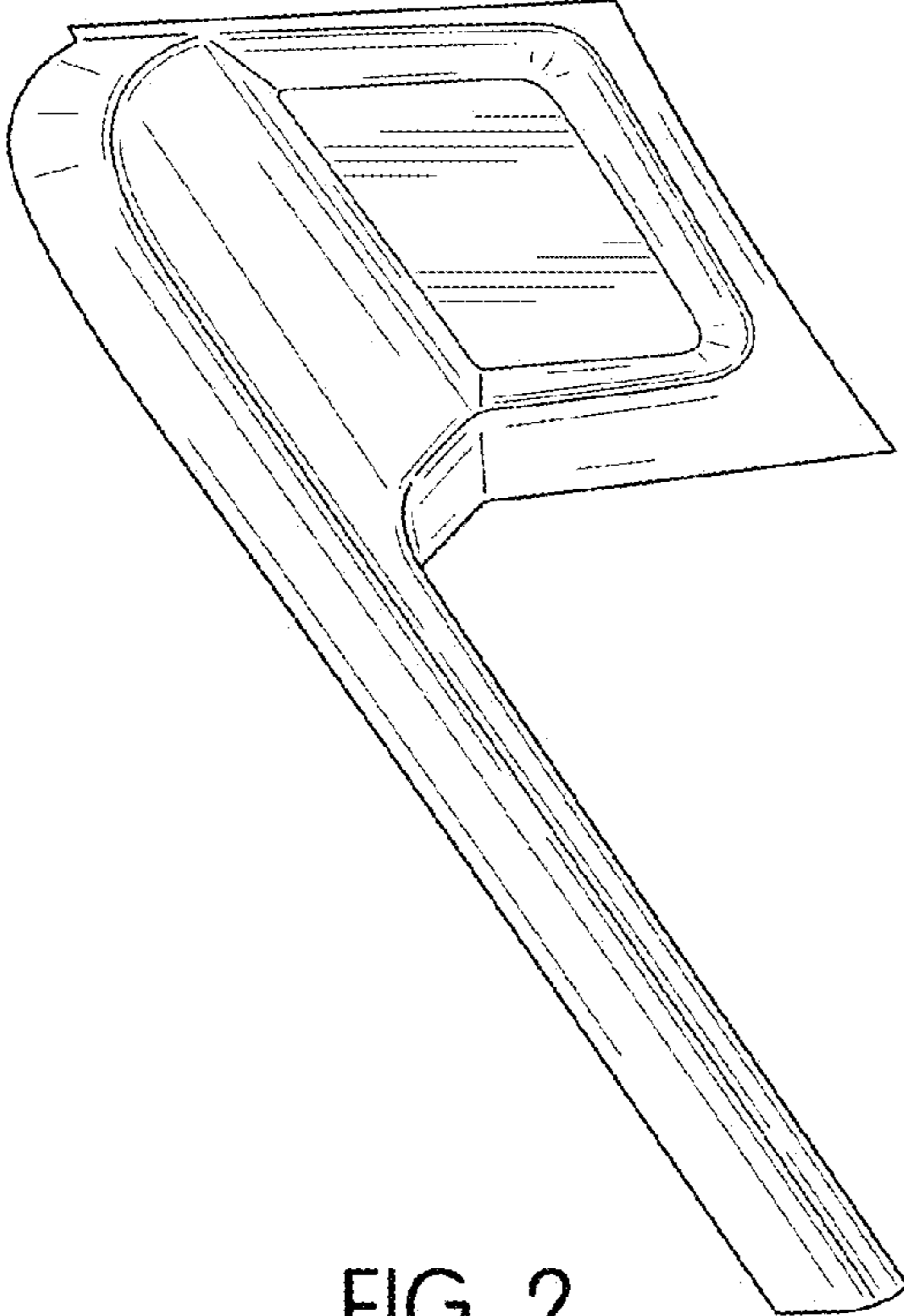


FIG. 2

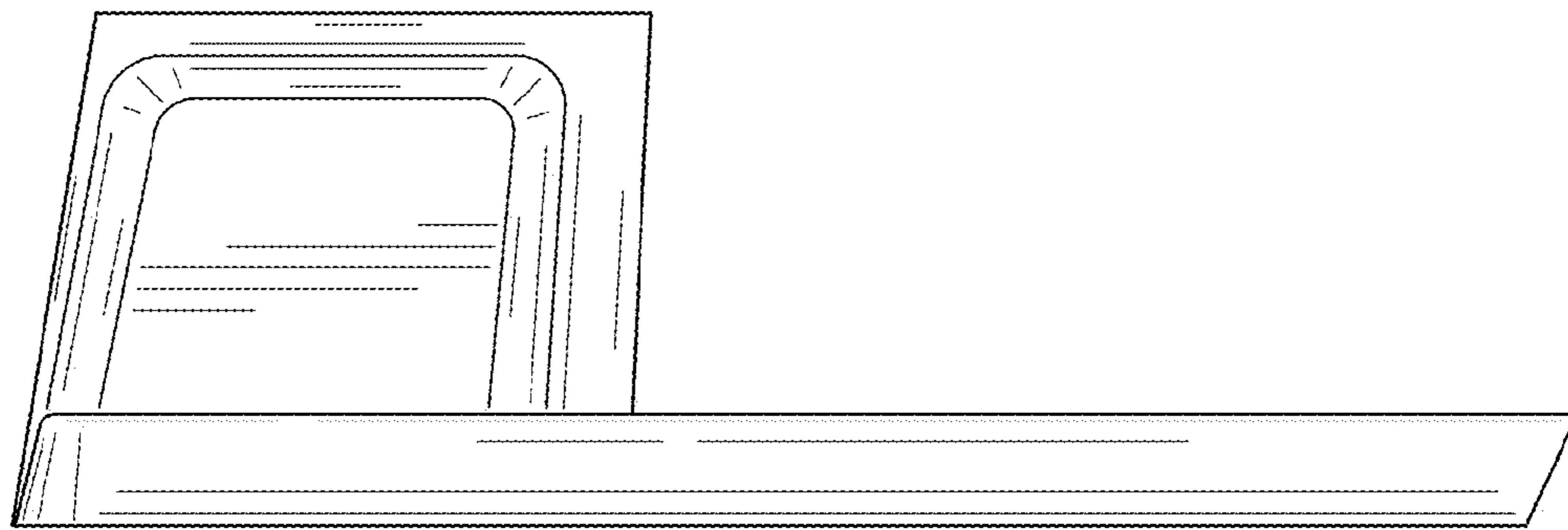


FIG. 3