



US00D676304S

(12) **United States Design Patent**
Pickar et al.

(10) **Patent No.:** **US D676,304 S**
(45) **Date of Patent:** **** Feb. 19, 2013**

(54) **VEHICLE INSIDE DOOR HANDLE**

(75) Inventors: **Barbara J. Pickar**, New Hampton, IA (US); **Kevin P. Eschweiler**, New Hampton, IA (US); **Bruce E. Boerschel**, Charles City, IA (US); **Jeff S. Macon**, New Hampton, IA (US)

(73) Assignee: **Trimark Corporation**, New Hampton, IA (US)

(**) Term: **14 Years**

(21) Appl. No.: **29/407,620**

(22) Filed: **Nov. 30, 2011**

(51) **LOC (9) Cl.** **08-06**

(52) **U.S. Cl.** **D8/302**

(58) **Field of Classification Search** D8/300,
D8/301, 302, 321, 331, 352, 353, 336, 338;
70/208, 209, 218; 292/336.3, 337, 216
See application file for complete search history.

4,838,590	A *	6/1989	Isomura	292/336.3
D312,201	S *	11/1990	Gates	D8/336
D313,337	S *	1/1991	Haskell	D8/336
5,042,853	A *	8/1991	Gleason et al.	292/126
5,058,937	A *	10/1991	Miehe et al.	292/34
5,069,491	A *	12/1991	Weinerman et al.	292/48
5,127,686	A *	7/1992	Gleason et al.	292/216
5,820,174	A *	10/1998	Parikh et al.	292/126
5,845,947	A *	12/1998	Arabia et al.	292/1
5,941,104	A *	8/1999	Sadler	70/208
6,454,321	B1 *	9/2002	Parikh	292/216
6,578,446	B2 *	6/2003	Staser et al.	74/519
D485,155	S *	1/2004	Bacon	D8/338
6,753,503	B2 *	6/2004	Bankstahl et al.	219/133
7,232,162	B2 *	6/2007	Pickar	292/175
7,543,863	B2 *	6/2009	Herbert et al.	292/336.3

* cited by examiner

Primary Examiner — Paula Greene

(74) *Attorney, Agent, or Firm* — McKee, Voorhees & Sease, P.L.C.

(57) **CLAIM**

We claim the ornamental design for a vehicle inside door handle, substantially as shown and described.

DESCRIPTION

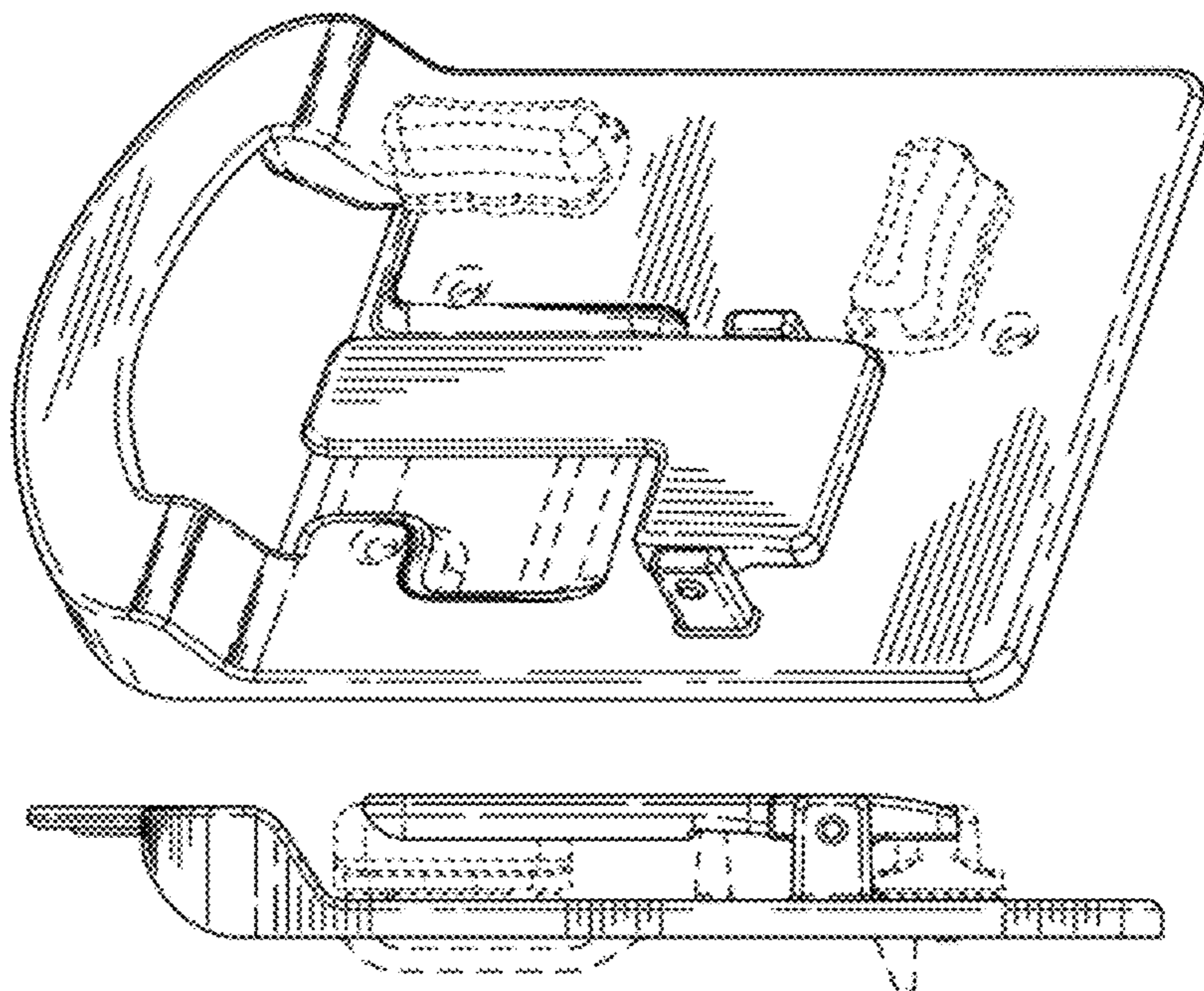
FIG. 1 is a perspective view for a vehicle inside door handle showing our new design;
FIG. 2 is an end elevational view thereof;
FIG. 3 is an opposite end elevational view thereof;
FIG. 4 is a side elevational view thereof;
FIG. 5 is an opposite side elevational view thereof; and,
FIG. 6 is a top plan view thereof.
The broken lines form no part of the claimed design.

1 Claim, 4 Drawing Sheets

(56) **References Cited**

U.S. PATENT DOCUMENTS

2,668,076	A *	2/1954	Troche et al.	292/336.3
2,729,089	A *	1/1956	Pelcin	70/151 R
2,987,908	A *	6/1961	Pelcin	70/483
3,206,240	A *	9/1965	Roethel	292/216
3,432,198	A *	3/1969	Connor	292/216
D230,132	S *	1/1974	Pastva, Jr.	D8/341
3,971,239	A *	7/1976	Lavis	70/134
4,438,964	A *	3/1984	Peters	292/216
4,707,006	A *	11/1987	Garg et al.	292/336.3
4,735,447	A *	4/1988	Kleefeldt	292/216
4,736,972	A *	4/1988	Mosch	292/204



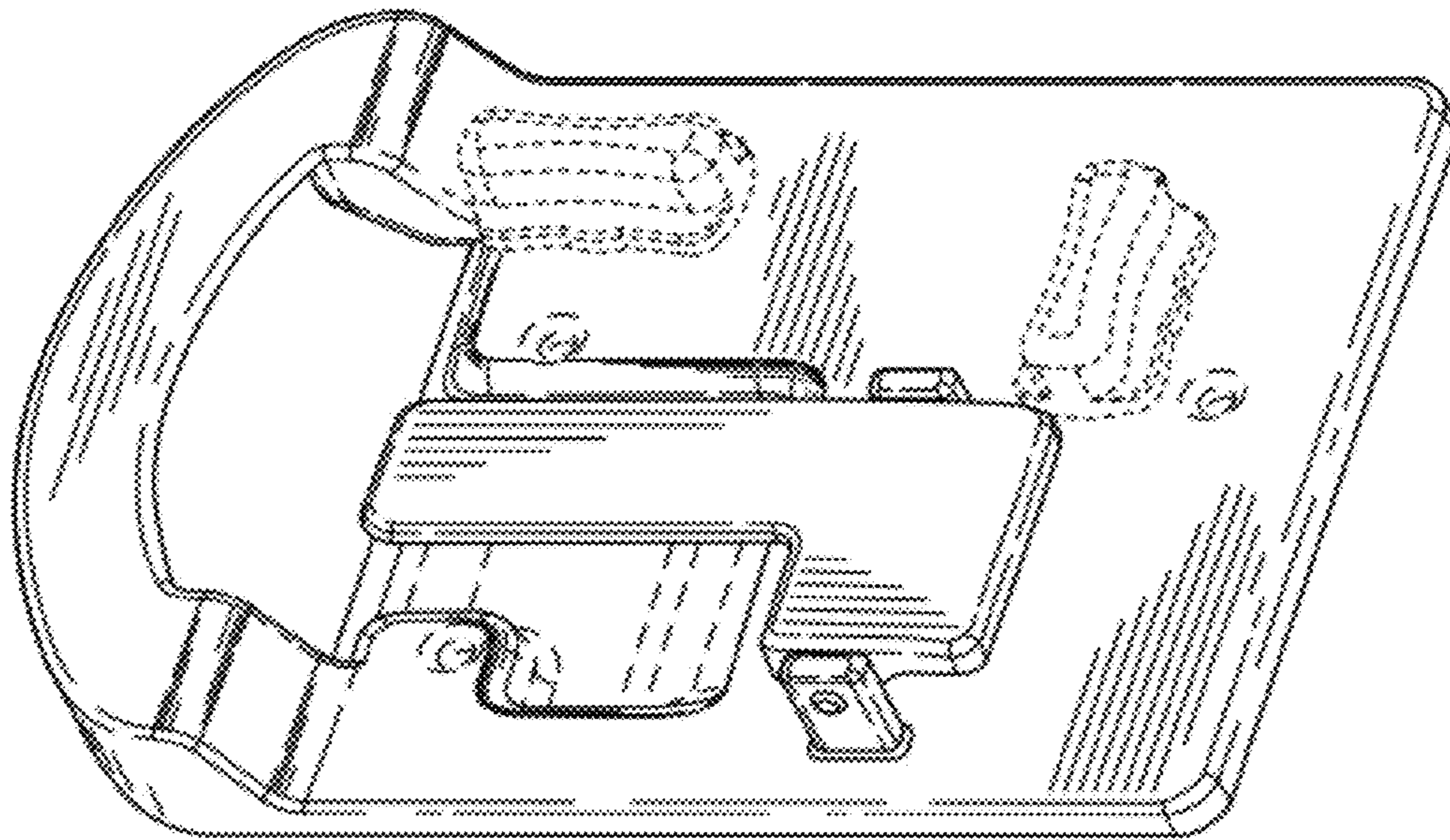


FIG. 1

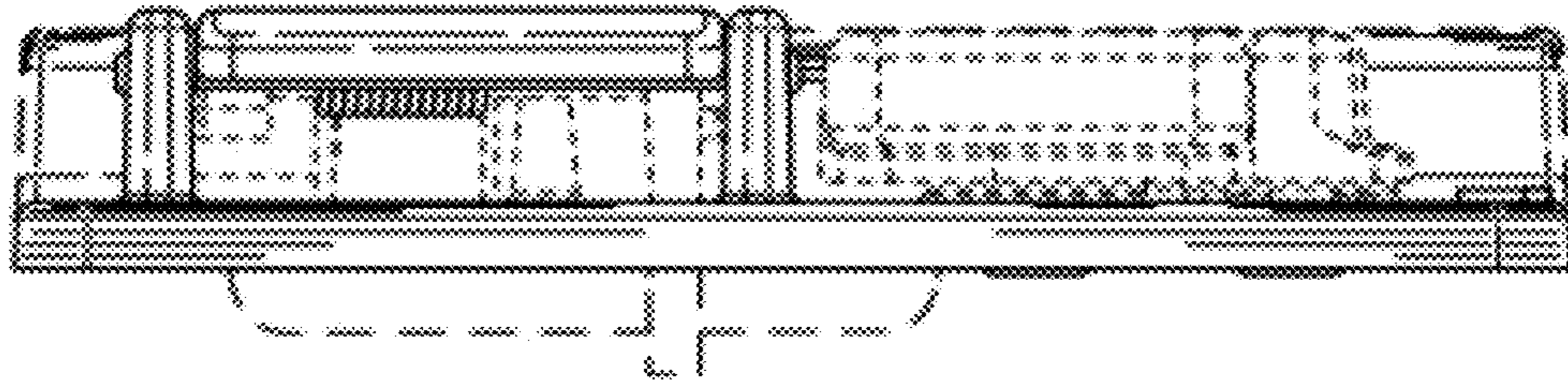


FIG. 2

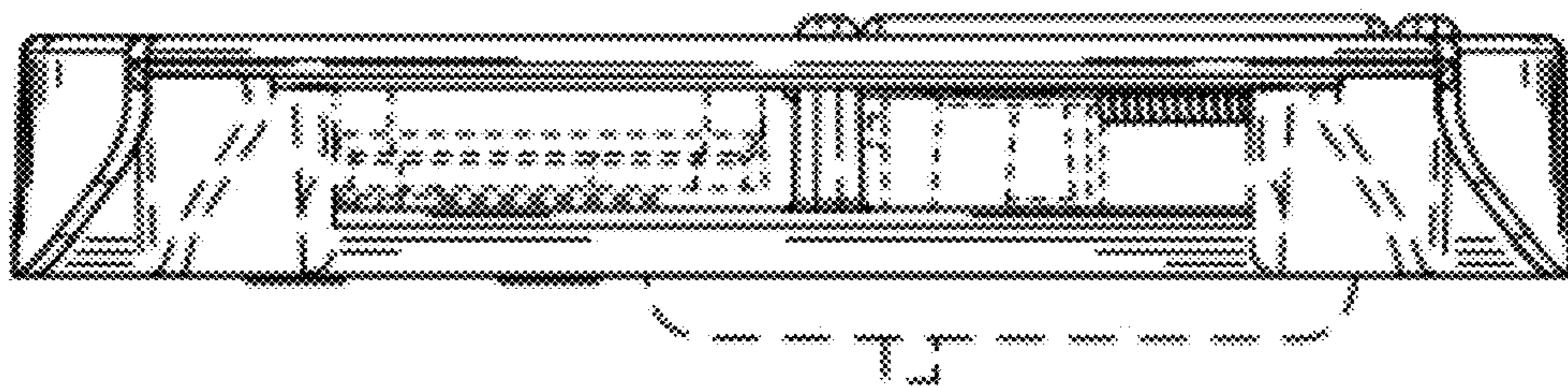


FIG. 3

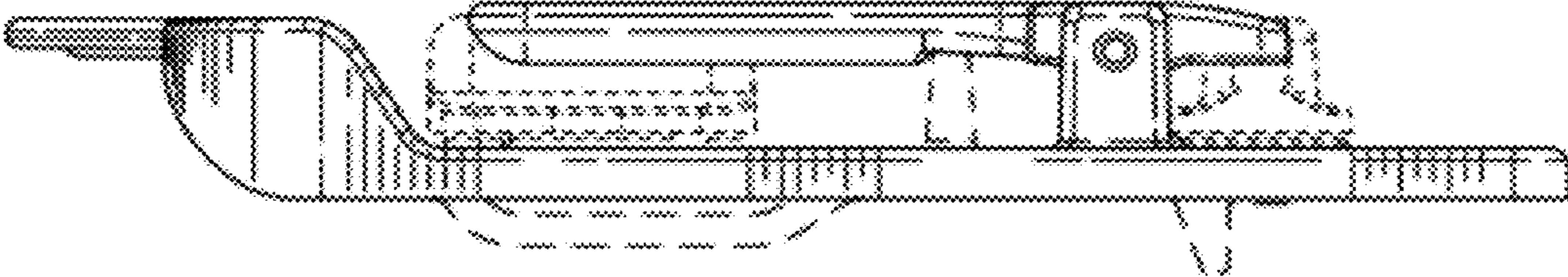


FIG. 4

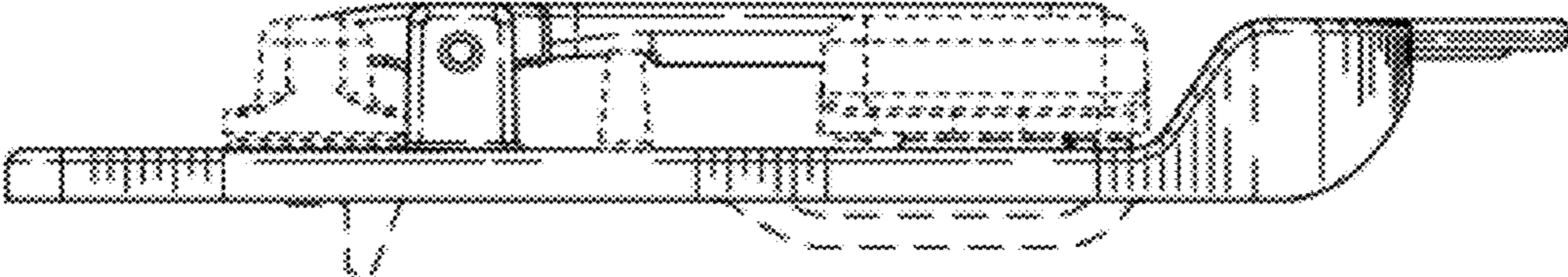


FIG. 5

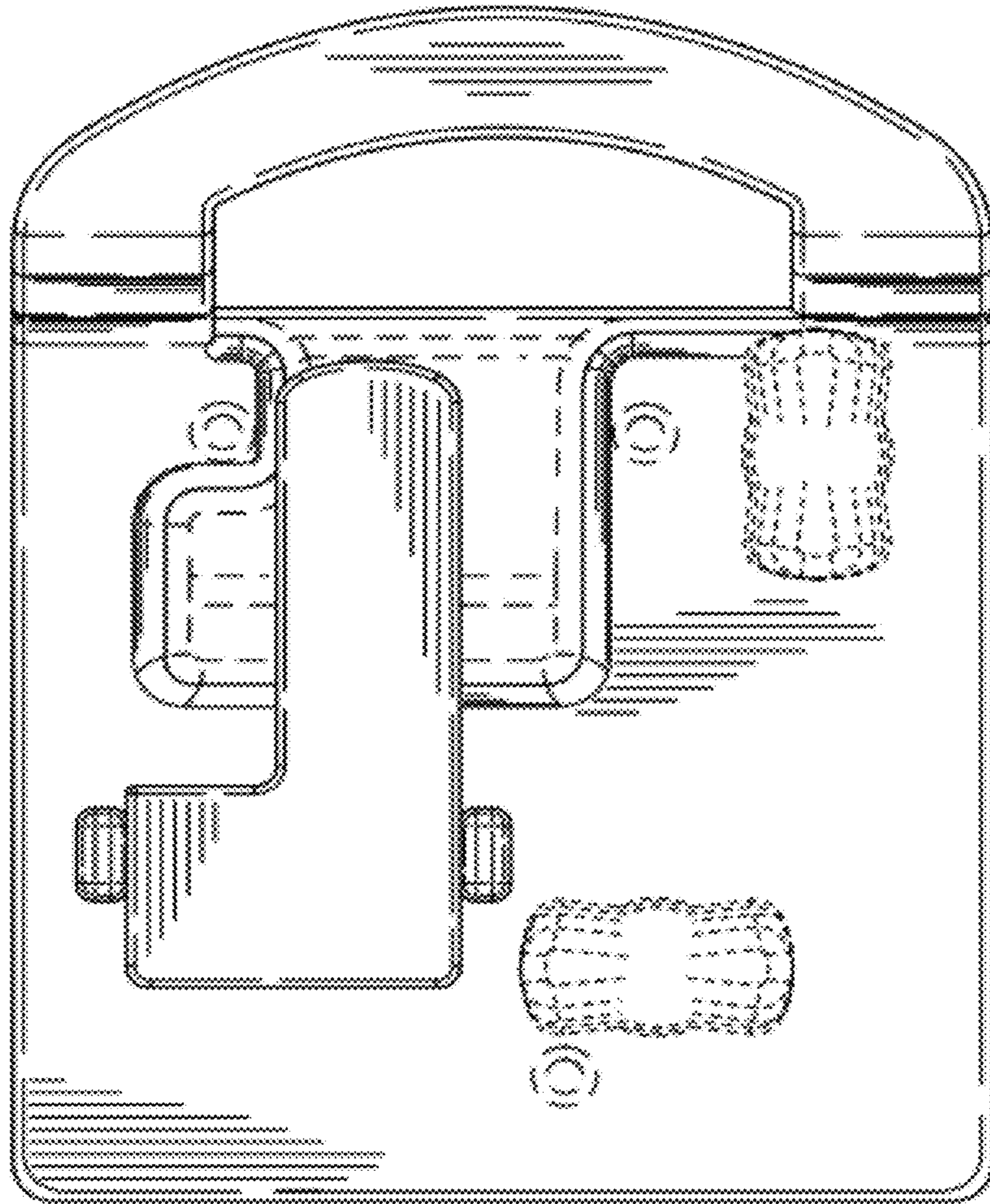


FIG. 6