



US00D676301S

(12) **United States Design Patent**  
**Vanderbeek**

(10) **Patent No.:** **US D676,301 S**

(45) **Date of Patent:** **\*\* Feb. 19, 2013**

(54) **WELDED HAMMER**

(75) **Inventor:** **Karl Vanderbeek**, West Hartford, CT (US)

(73) **Assignee:** **Stanley Black & Decker, Inc.**, New Britain, CT (US)

(\*\*) **Term:** **14 Years**

(21) **Appl. No.:** **29/406,744**

(22) **Filed:** **Nov. 18, 2011**

(51) **LOC (9) Cl.** ..... **08-02**

(52) **U.S. Cl.** ..... **D8/75**

(58) **Field of Classification Search** ..... D8/75-81;  
81/19-24; 76/103; 125/40

See application file for complete search history.

(56) **References Cited**

**U.S. PATENT DOCUMENTS**

D455,626	S	*	4/2002	Chen	.....	D8/78
D478,266	S	*	8/2003	Chen	.....	D8/78
D503,605	S	*	4/2005	Hung	.....	D8/78
D530,583	S	*	10/2006	Chen	.....	D8/78
D556,532	S	*	12/2007	Chen	.....	D8/78
D603,676	S	*	11/2009	Higgs	.....	D8/81
D607,296	S	*	1/2010	Vanderbeek	.....	D8/78
D628,871	S	*	12/2010	Jerabek et al.	.....	D8/80
D653,925	S	*	2/2012	Hung	.....	D8/78

**OTHER PUBLICATIONS**

Stanley FatMax Xtreme Hi Velocity Rip Claw Framing Hammer.  
<http://www.trssupplies.co.uk/hand-tools/hammers-ampmallets/claw-hammers/stanley-fat> . . . Downloaded Sep. 29, 2012.\*

\* cited by examiner

*Primary Examiner* — Philip S Hyder

*Assistant Examiner* — Roselynn Cody

(74) *Attorney, Agent, or Firm* — Pillsbury Winthrop Shaw Pittman LLP

(57) **CLAIM**

The ornamental design for a welded hammer, as shown and described.

**DESCRIPTION**

FIG. 1 is a perspective view of an embodiment of the welded hammer according to my design;

FIG. 2 is a front view thereof;

FIG. 3 is a rear view thereof;

FIG. 4 is a left side view thereof;

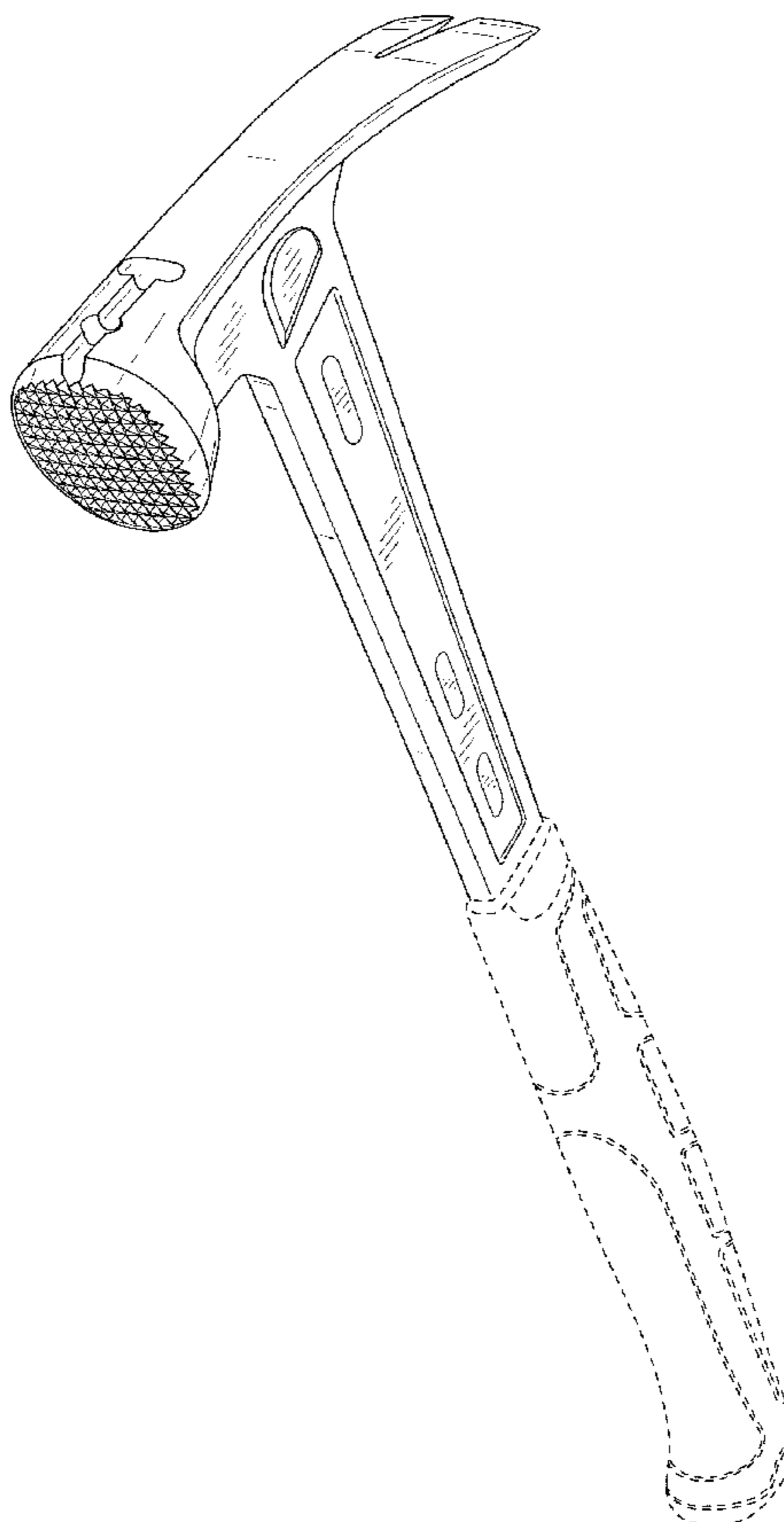
FIG. 5 is a right side view thereof;

FIG. 6 is a top plan view thereof; and,

FIG. 7 is a bottom plan view thereof.

The broken lines in the drawings are directed to environment and form no part of the claim.

**1 Claim, 5 Drawing Sheets**



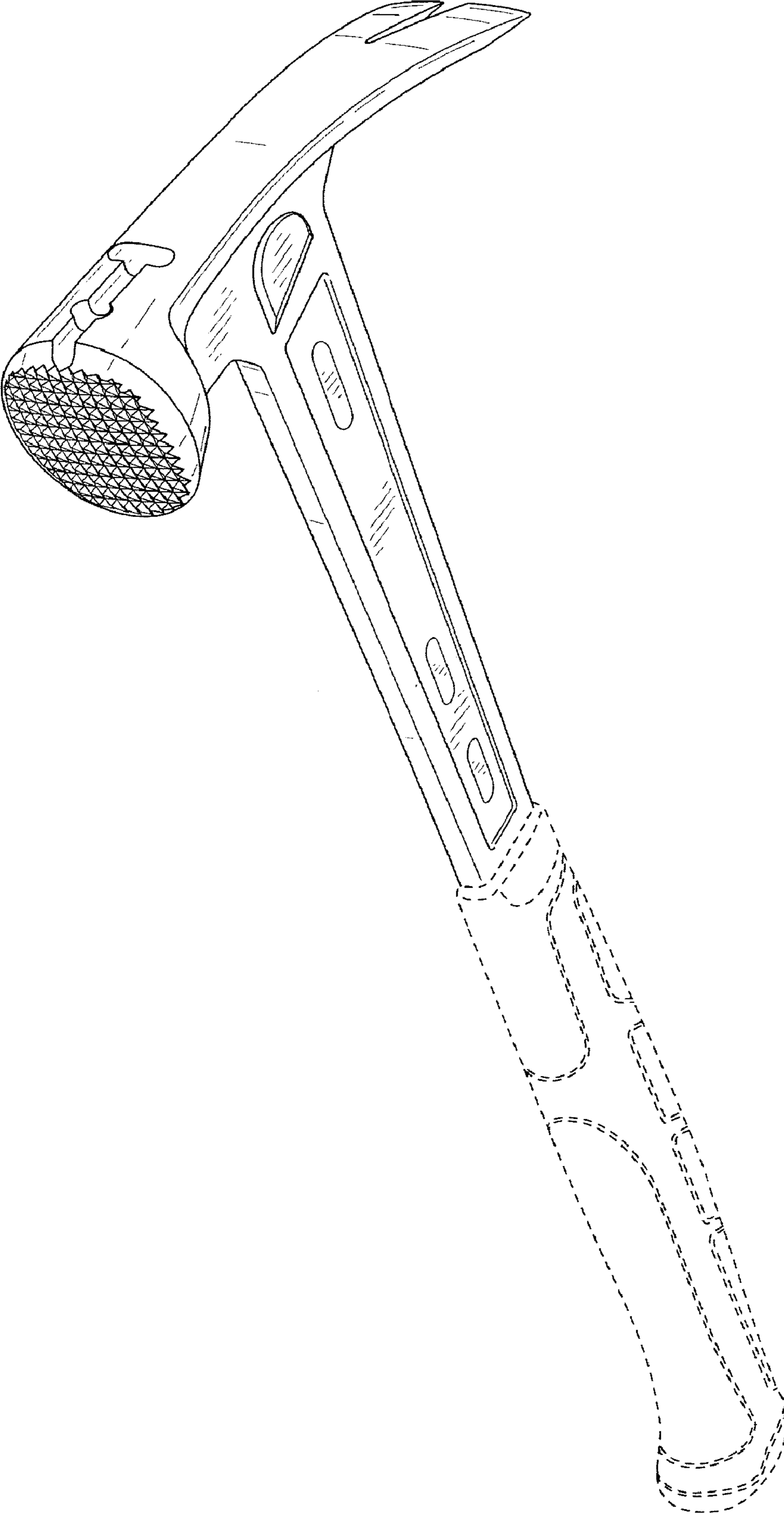


FIG. 1

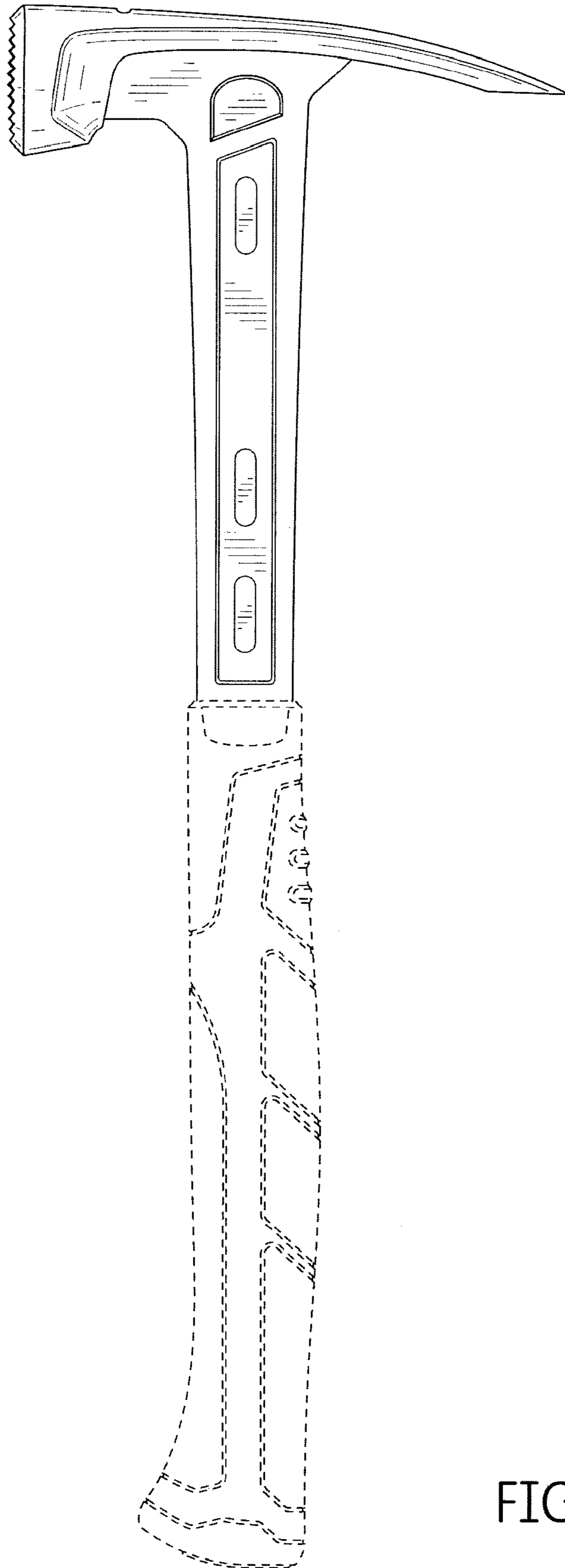


FIG. 2

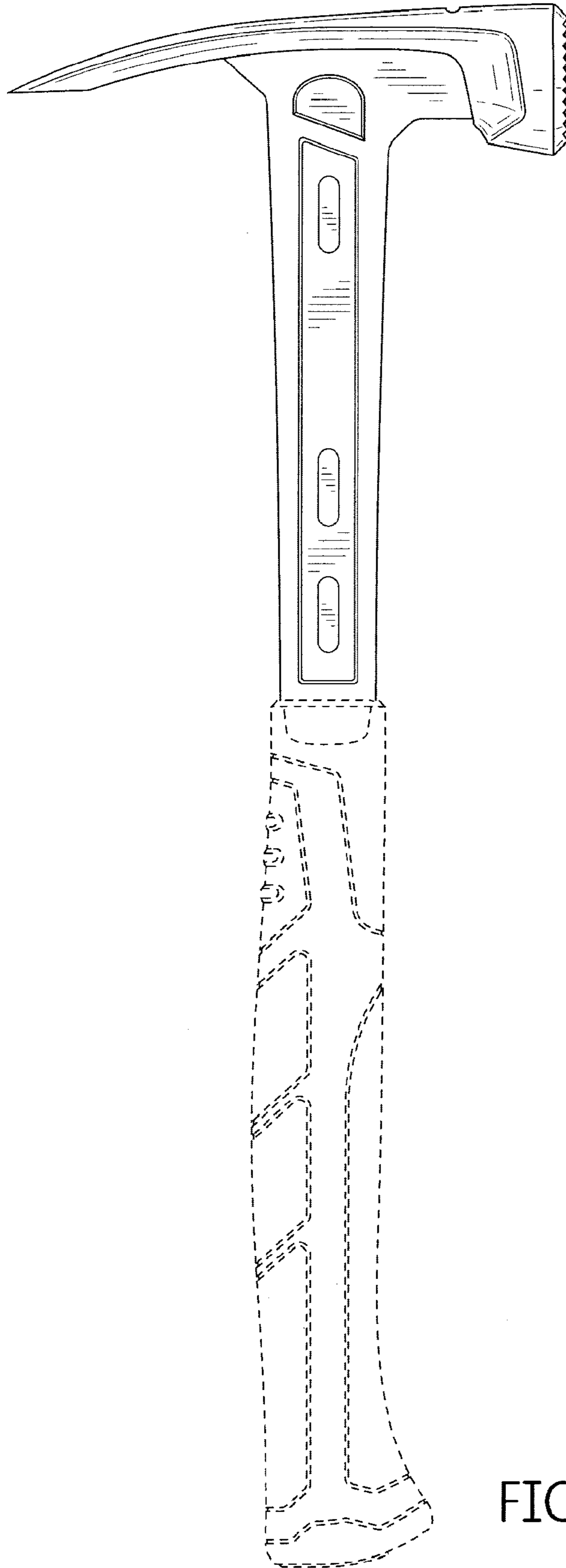


FIG. 3

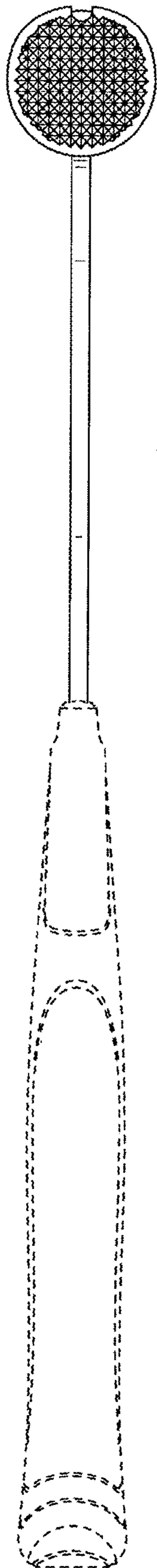


FIG. 4

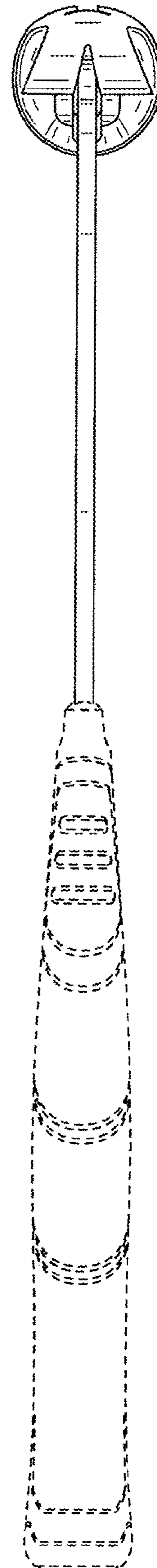


FIG. 5

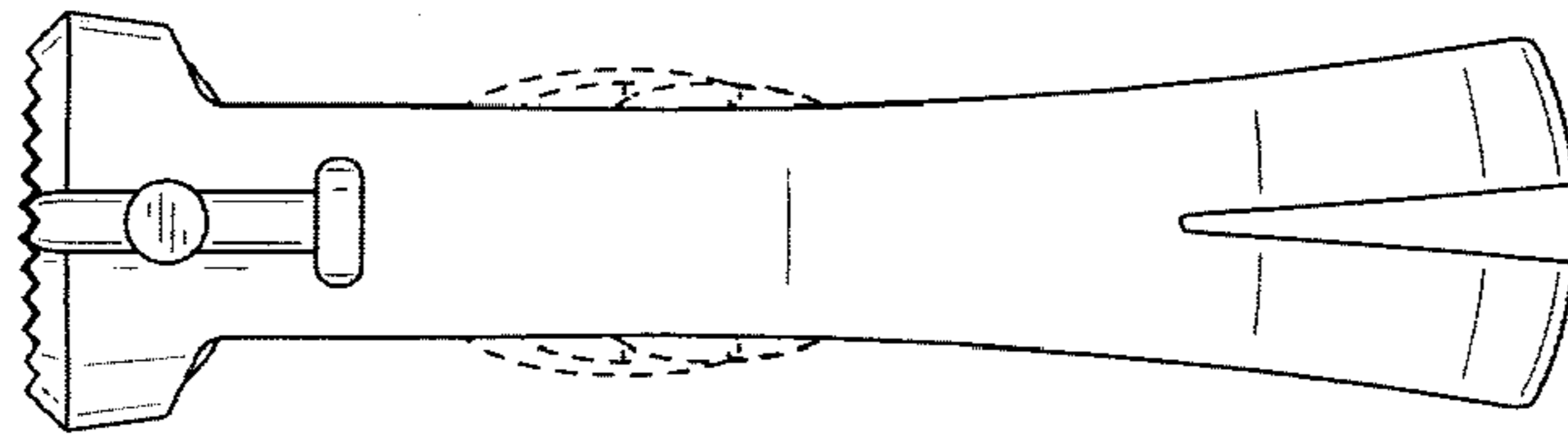


FIG. 6

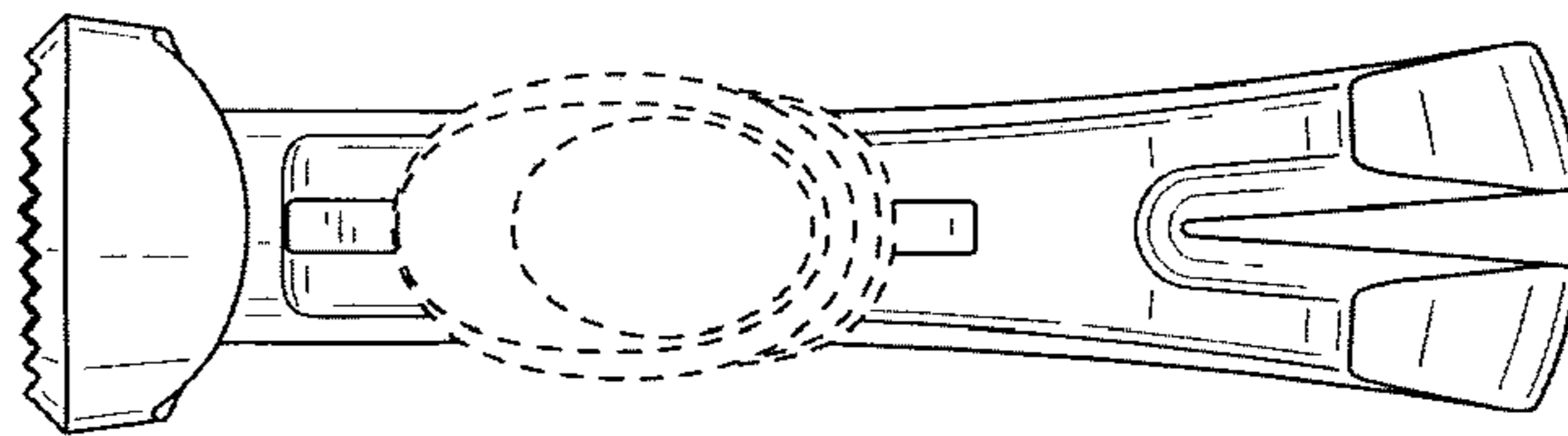


FIG. 7