



US00D676299S

(12) **United States Design Patent**
Baron et al.

(10) **Patent No.:** **US D676,299 S**
(45) **Date of Patent:** **** Feb. 19, 2013**

(54) **FASTENING TOOL WITH IN-LINE BATTERY AND MAGAZINE**

(75) Inventors: **Michael P. Baron**, Phoenix, MD (US);
John E. Buck, Cockeysville, MD (US);
Lee M. Brendel, Bel Air, MD (US);
Larry E. Gregory, Baltimore, MD (US)

(73) Assignee: **Black & Decker Inc.**, Newark, DE (US)

(**) Term: **14 Years**

(21) Appl. No.: **29/413,767**

(22) Filed: **Feb. 21, 2012**

(51) **LOC (9) Cl.** **08-03**

(52) **U.S. Cl.** **D8/69**

(58) **Field of Classification Search** D8/49,
D8/61-70; 81/54, 57.42, 57.11; 173/170;
227/8, 66, 130

See application file for complete search history.

(56) **References Cited**

U.S. PATENT DOCUMENTS

| | | | | |
|-----------|-----|---------|----------------|-------|
| 4,835,410 | A | 5/1989 | Bhagwat et al. | |
| D313,391 | S | 1/1991 | Pudwill | |
| D338,606 | S * | 8/1993 | Oda | D8/69 |
| D406,999 | S * | 3/1999 | Sover et al. | D8/69 |
| D416,182 | S | 11/1999 | Kaiser et al. | |
| 6,139,359 | A | 10/2000 | Fuhreck et al. | |
| D447,031 | S * | 8/2001 | Oh | D8/63 |
| 6,357,534 | B1 | 3/2002 | Buetow et al. | |
| D461,694 | S * | 8/2002 | Buck | D8/68 |
| D475,597 | S * | 6/2003 | Arai | D8/68 |
| D477,975 | S * | 8/2003 | Lai | D8/68 |
| 6,607,111 | B2 | 8/2003 | Garvis et al. | |
| D483,240 | S | 12/2003 | Garvis et al. | |
| 6,669,072 | B2 | 12/2003 | Burke et al. | |
| 6,755,336 | B2 | 6/2004 | Harper et al. | |

| | | | | |
|--------------|-----|---------|------------------|-------|
| D499,623 | S * | 12/2004 | Buck | D8/68 |
| D500,655 | S | 1/2005 | Leasure | |
| D512,291 | S * | 12/2005 | Thomas et al. | D8/69 |
| D520,839 | S * | 5/2006 | Miwa | D8/69 |
| D540,136 | S * | 4/2007 | Aguirre et al. | D8/69 |
| 7,225,959 | B2 | 6/2007 | Patton et al. | |
| D551,931 | S * | 10/2007 | Leasure | D8/69 |
| D575,607 | S * | 8/2008 | Buck | D8/69 |
| 7,494,035 | B2 | 2/2009 | Weaver et al. | |
| D618,976 | S * | 7/2010 | Taniguchi et al. | D8/69 |
| 2006/0222931 | A1 | 10/2006 | Lin | |

FOREIGN PATENT DOCUMENTS

| | | | |
|----|---------------|------|--------|
| EP | 1645371 | A1 * | 4/2006 |
| JP | 2008036756 | A * | 2/2008 |
| JP | 2009090384 | A | 4/2009 |
| JP | 2010023165 | A * | 2/2010 |
| WO | WO 2007072785 | A1 * | 6/2007 |

* cited by examiner

Primary Examiner — Philip S Hyder

Assistant Examiner — Darlington Ly

(74) *Attorney, Agent, or Firm* — Rhonda L. Barton; Adan Avala

(57) **CLAIM**

The ornamental design for a fastening tool with in-line battery and magazine, as shown and described.

DESCRIPTION

FIG. 1 is a perspective view of a fastening tool with in-line battery and magazine showing our new design;

FIG. 2 is a front view thereof;

FIG. 3 is a back view thereof;

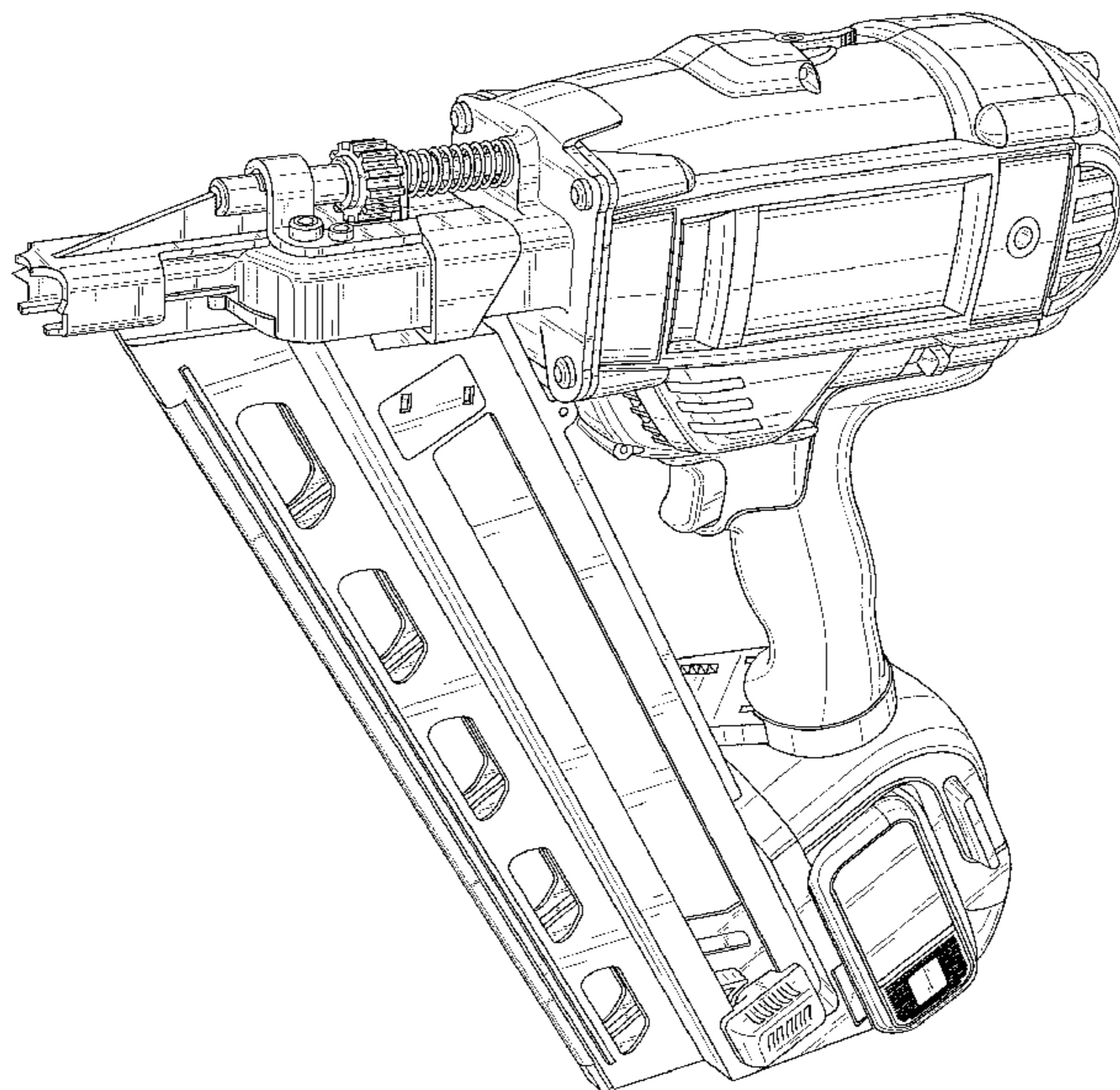
FIG. 4 is a right side view thereof;

FIG. 5 is a left side view thereof;

FIG. 6 is a top view thereof; and,

FIG. 7 is a bottom view thereof.

1 Claim, 5 Drawing Sheets



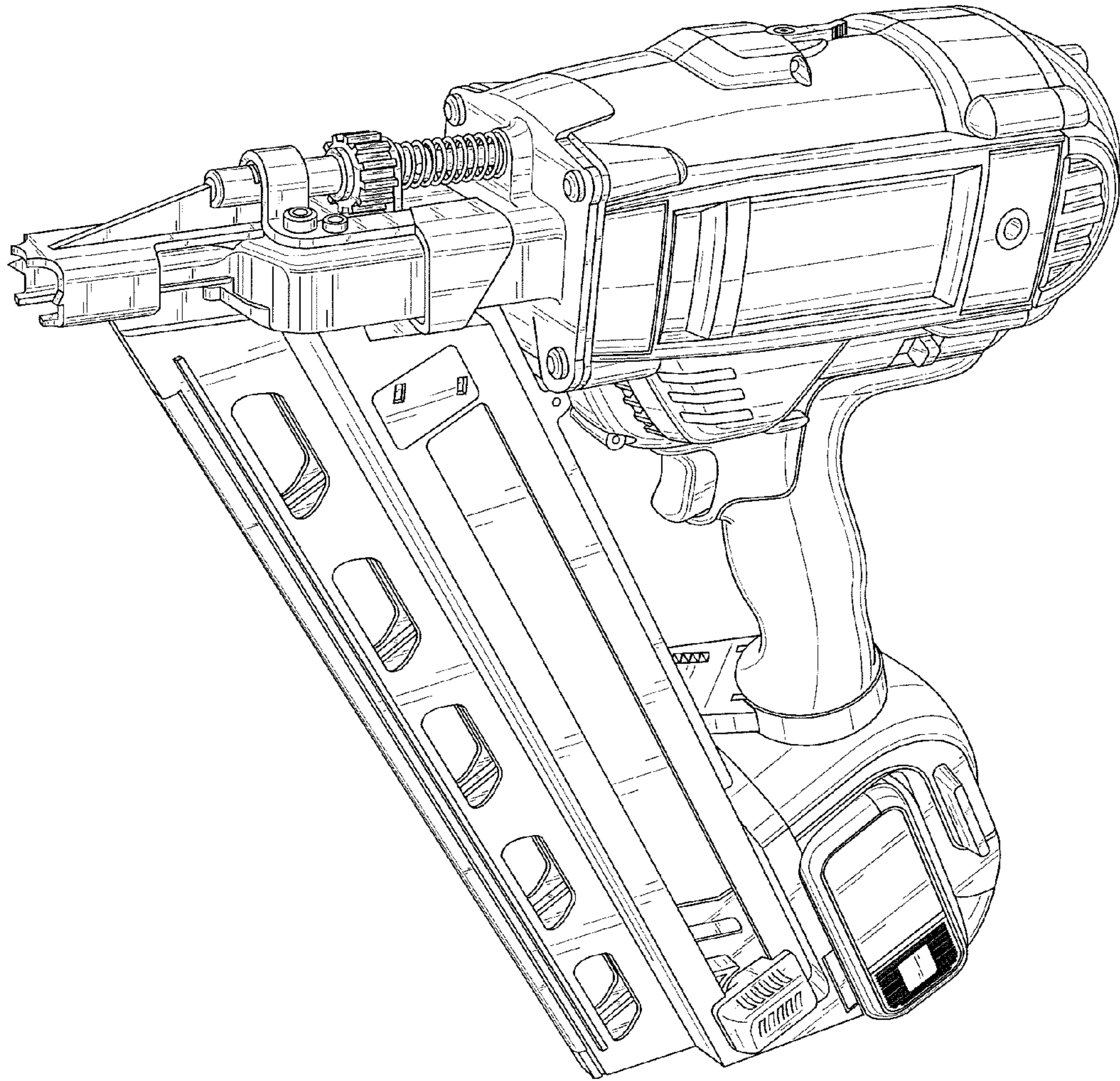


FIG. 1

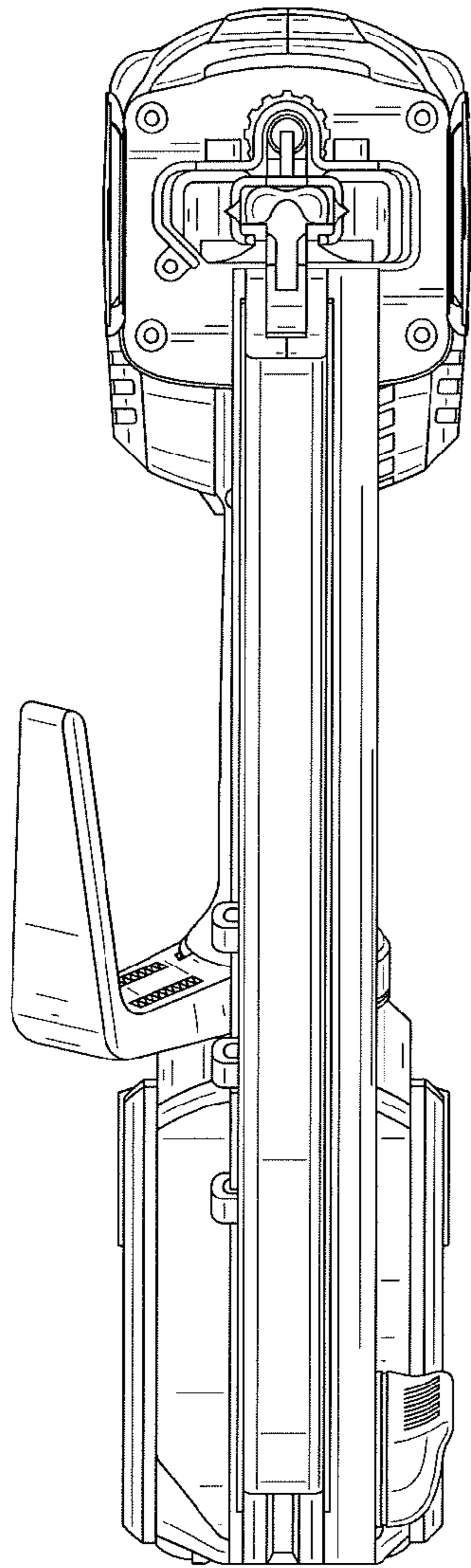


FIG. 2

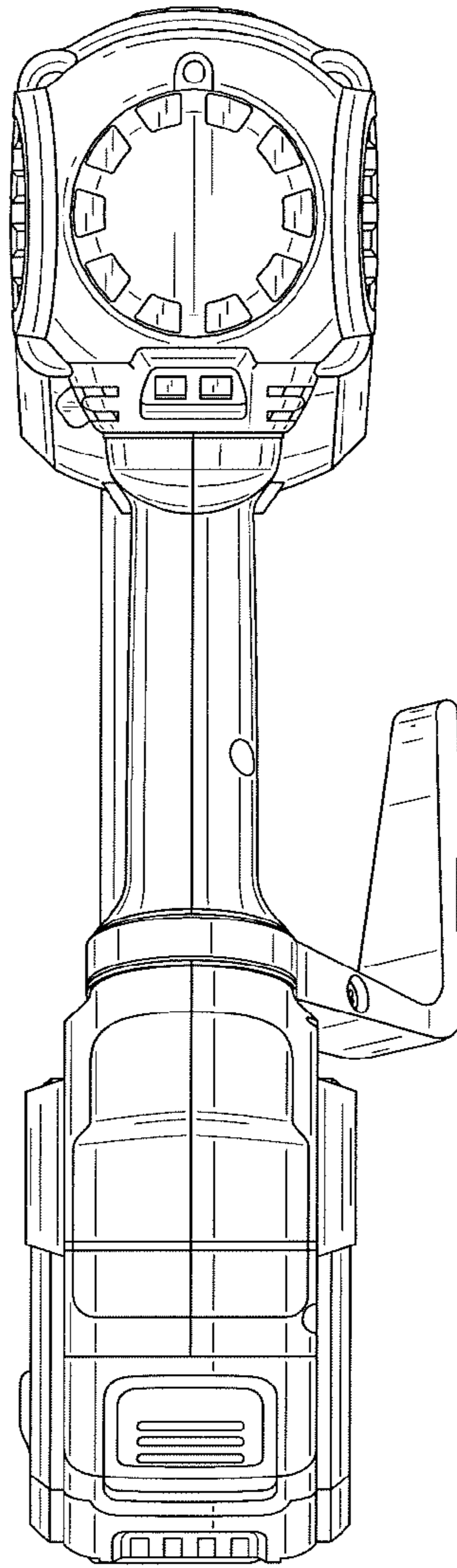


FIG. 3

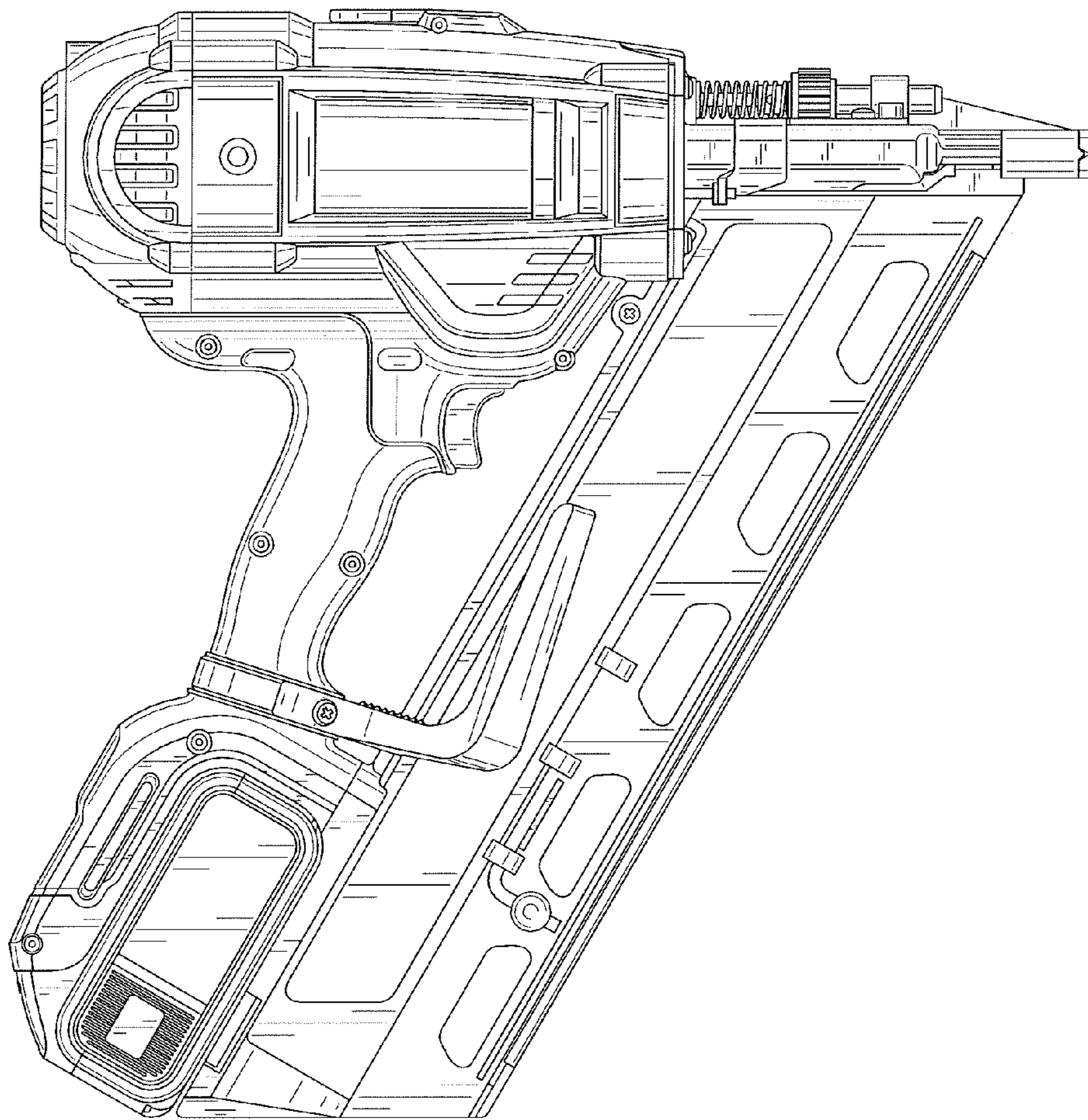


FIG. 4

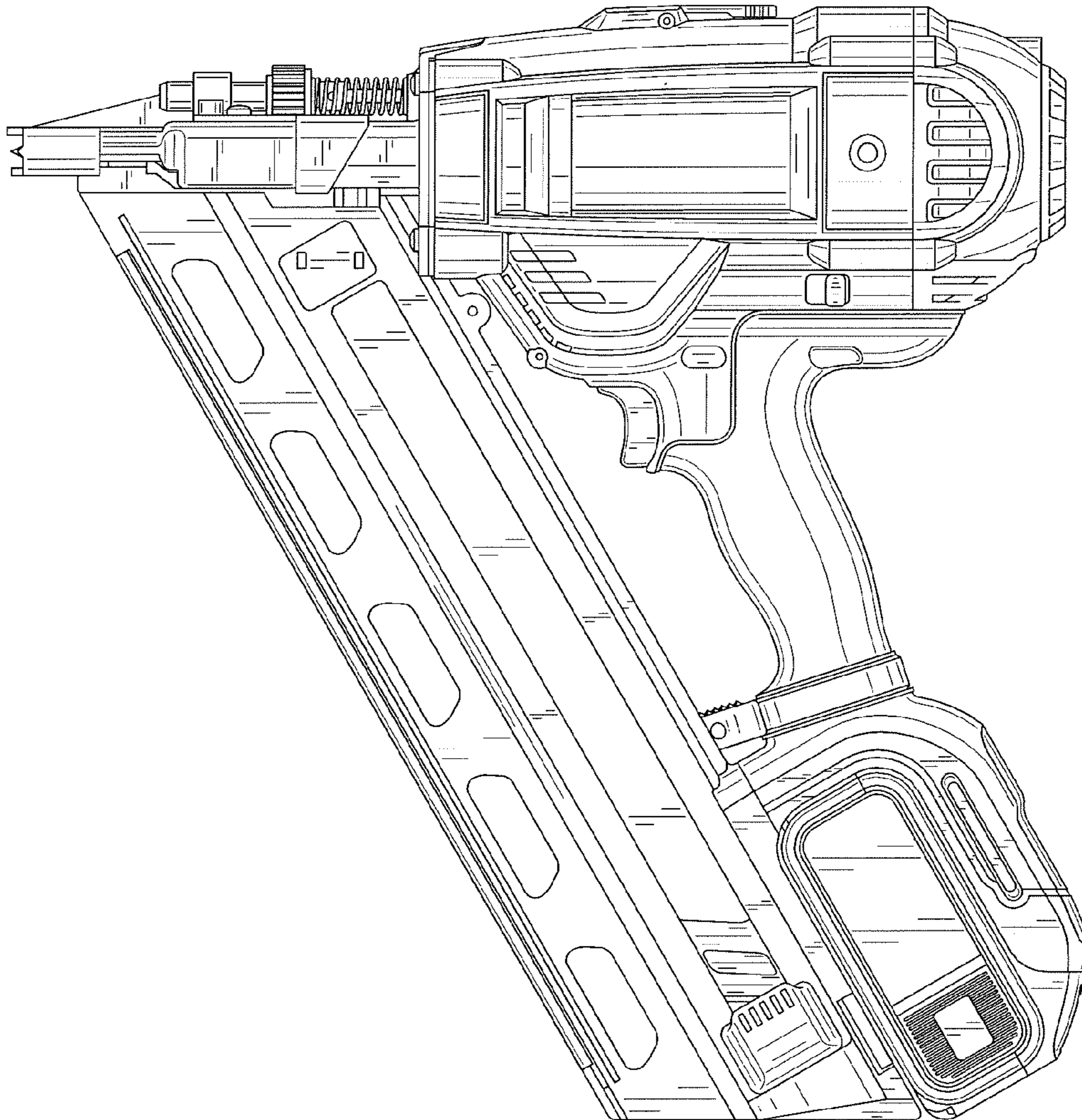


FIG. 5

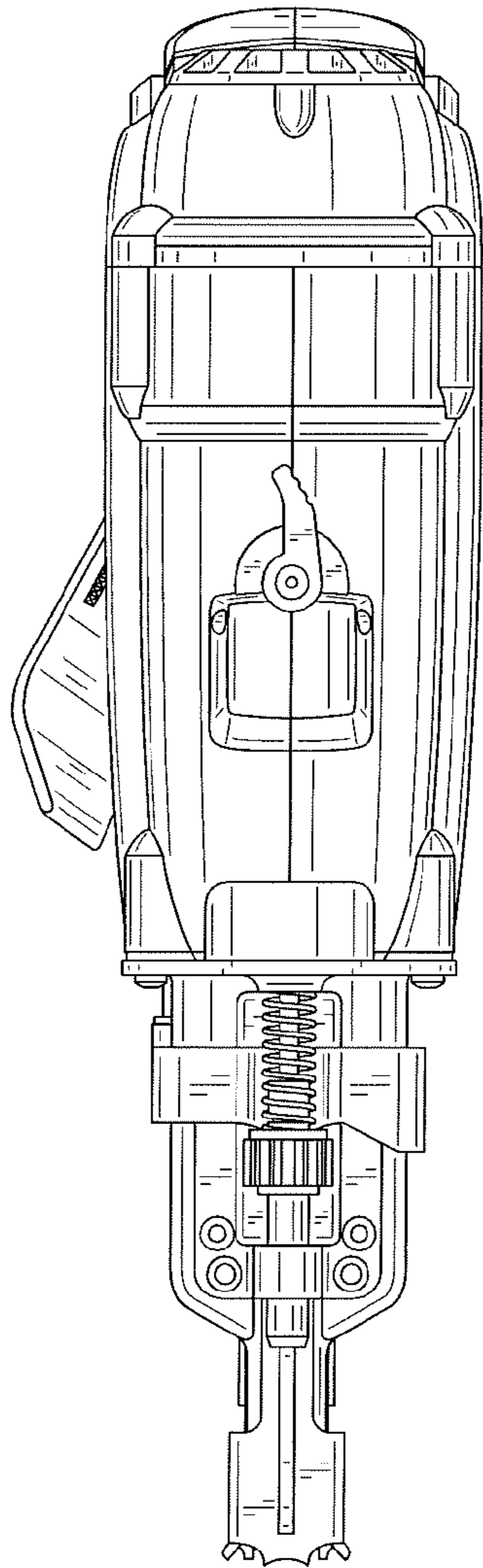


FIG. 6

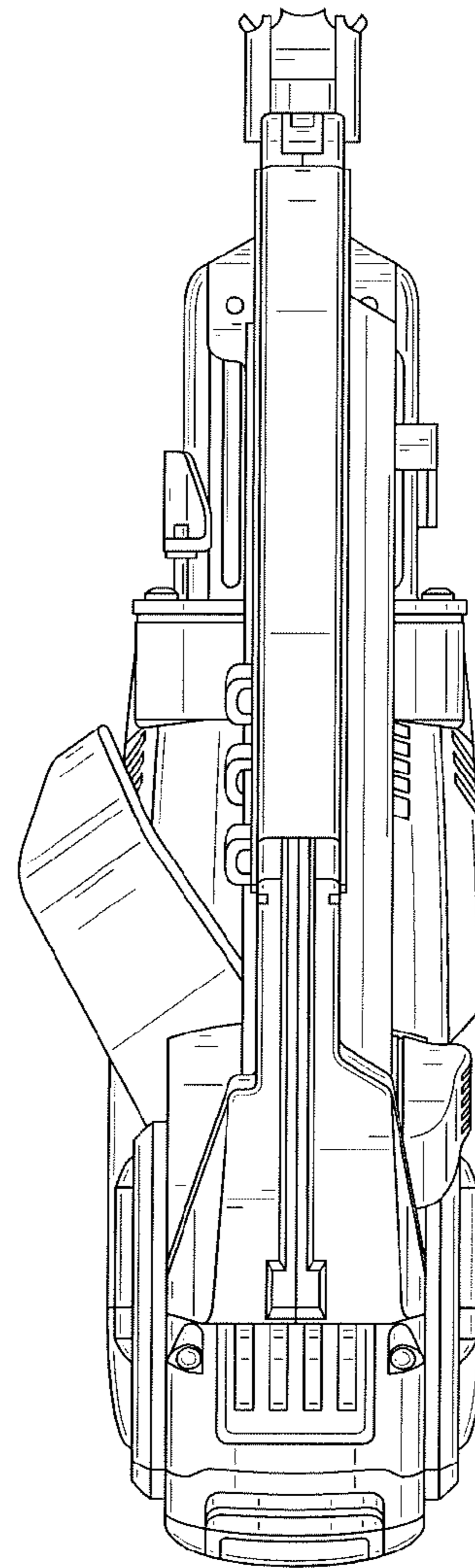


FIG. 7