



US00D676298S

(12) **United States Design Patent**
Tully et al.

(10) **Patent No.:** **US D676,298 S**

(45) **Date of Patent:** **** Feb. 19, 2013**

(54) **HYDRAULIC DRIVEN ROTARY TOOL**

D572,991 S * 7/2008 Chen D8/68
D605,490 S * 12/2009 Aglassinger D8/68
D650,652 S * 12/2011 Aglassinger D8/68

(75) Inventors: **Gerald Jonathan Tully**, Elgin, IL (US);
Douglas J. Birkholz, Madison, WI (US)

OTHER PUBLICATIONS

(73) Assignee: **Greenlee Textron Inc.**, Rockford, IL
(US)

Greenlee Utility: A Textron Company. Impact Wrenches. PDF Brochure [online], [retrieved on Sep. 10, 2009]. Retrieved from the Internet <URL: [http://www.greenlee.com/products/IMPACT-WRENCH%2540c-7%2540F16-F%2540.C%2540.-\(PKG\).html?product_id=18303](http://www.greenlee.com/products/IMPACT-WRENCH%2540c-7%2540F16-F%2540.C%2540.-(PKG).html?product_id=18303)>.*

(**) Term: **14 Years**

* cited by examiner

(21) Appl. No.: **29/403,043**

(22) Filed: **Sep. 30, 2011**

Primary Examiner — Philip S Hyder

(51) **LOC (9) Cl.** **08-03**

Assistant Examiner — Darlington Ly

(52) **U.S. Cl.** **D8/67**

(74) *Attorney, Agent, or Firm* — Clark Hill PLC

(58) **Field of Classification Search** D8/61,
D8/67, 68; 81/463, 464, 466, 467, 470; 173/93,
173/93.5, 93.6, 94, 169, 180, 181, 183
See application file for complete search history.

(57) **CLAIM**

The ornamental design for a hydraulic driven rotary tool, as shown and described.

DESCRIPTION

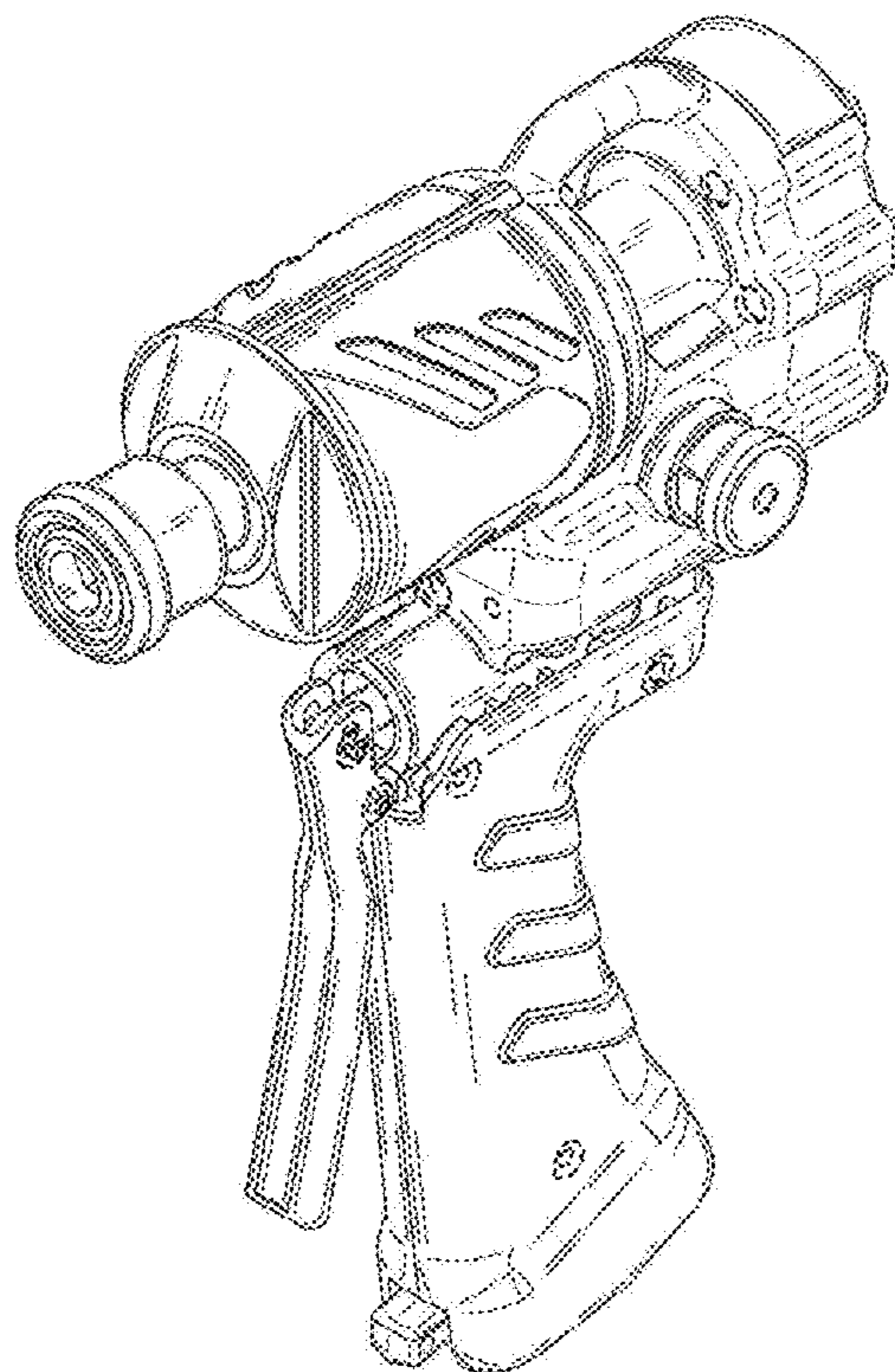
(56) **References Cited**

U.S. PATENT DOCUMENTS

D384,562 S * 10/1997 Sung D8/68
6,338,389 B1 * 1/2002 Chang 173/169
D489,240 S * 5/2004 Bartfeld et al. D8/68
D496,243 S * 9/2004 Huang D8/68
D497,787 S * 11/2004 Liao D8/68
D507,951 S * 8/2005 McMenemy et al. D8/68
D513,690 S * 1/2006 Etter et al. D8/68
D534,047 S * 12/2006 Chi D8/68
7,191,849 B2 * 3/2007 Chen 173/169
D567,615 S * 4/2008 Taniguchi et al. D8/68

FIG. 1 is a perspective view of the tool;
FIG. 2 is a left side elevational view of the tool;
FIG. 3 is a right side elevational view of the tool;
FIG. 4 is a front elevational view of the tool;
FIG. 5 is a rear elevational view of the tool;
FIG. 6 is a top plan view of the tool; and,
FIG. 7 is a bottom plan view of the tool.
The broken lines illustrate portions of the hydraulic driven rotary tool that form no part of the claimed design.

1 Claim, 4 Drawing Sheets



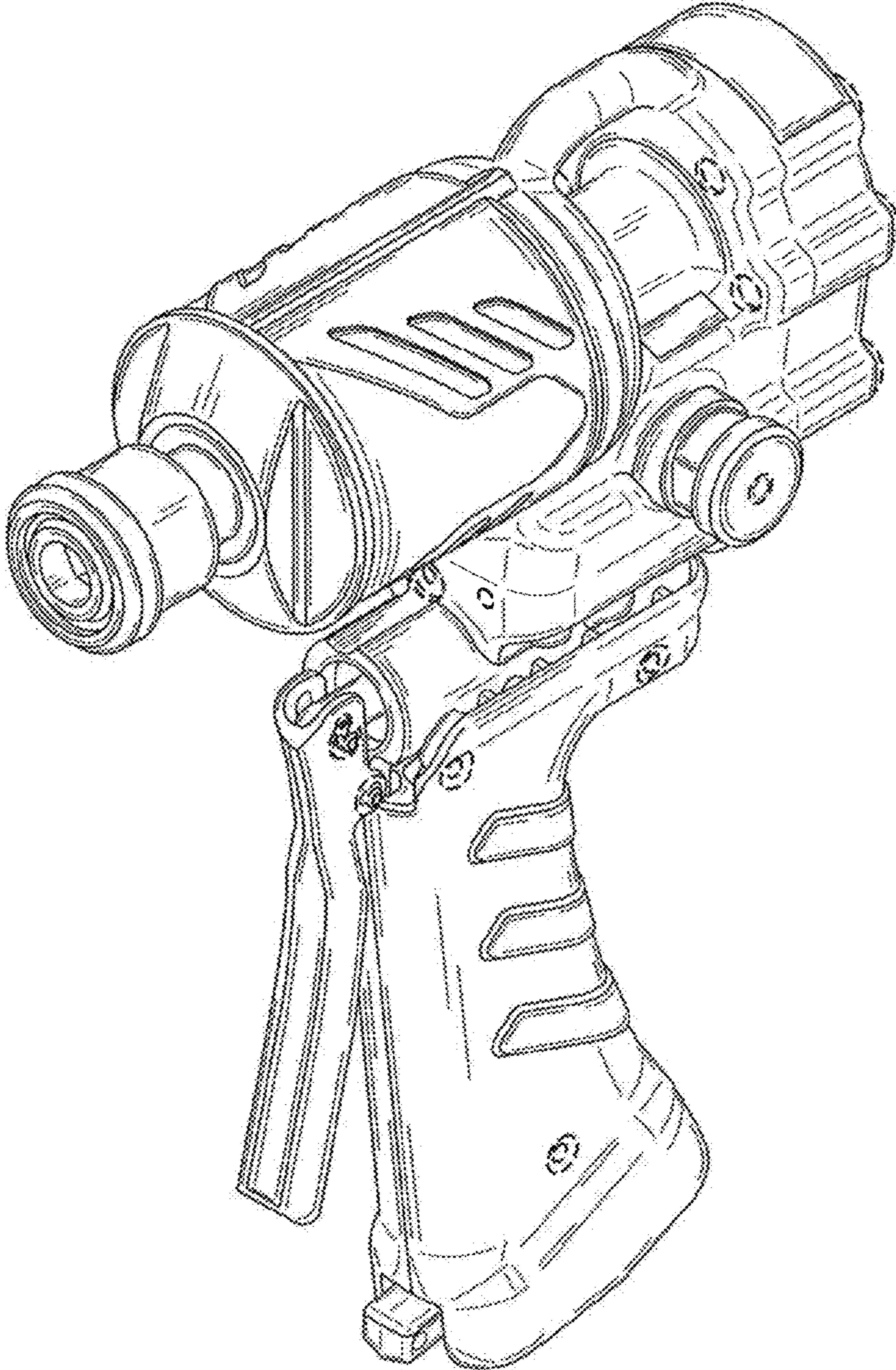


FIG. 1

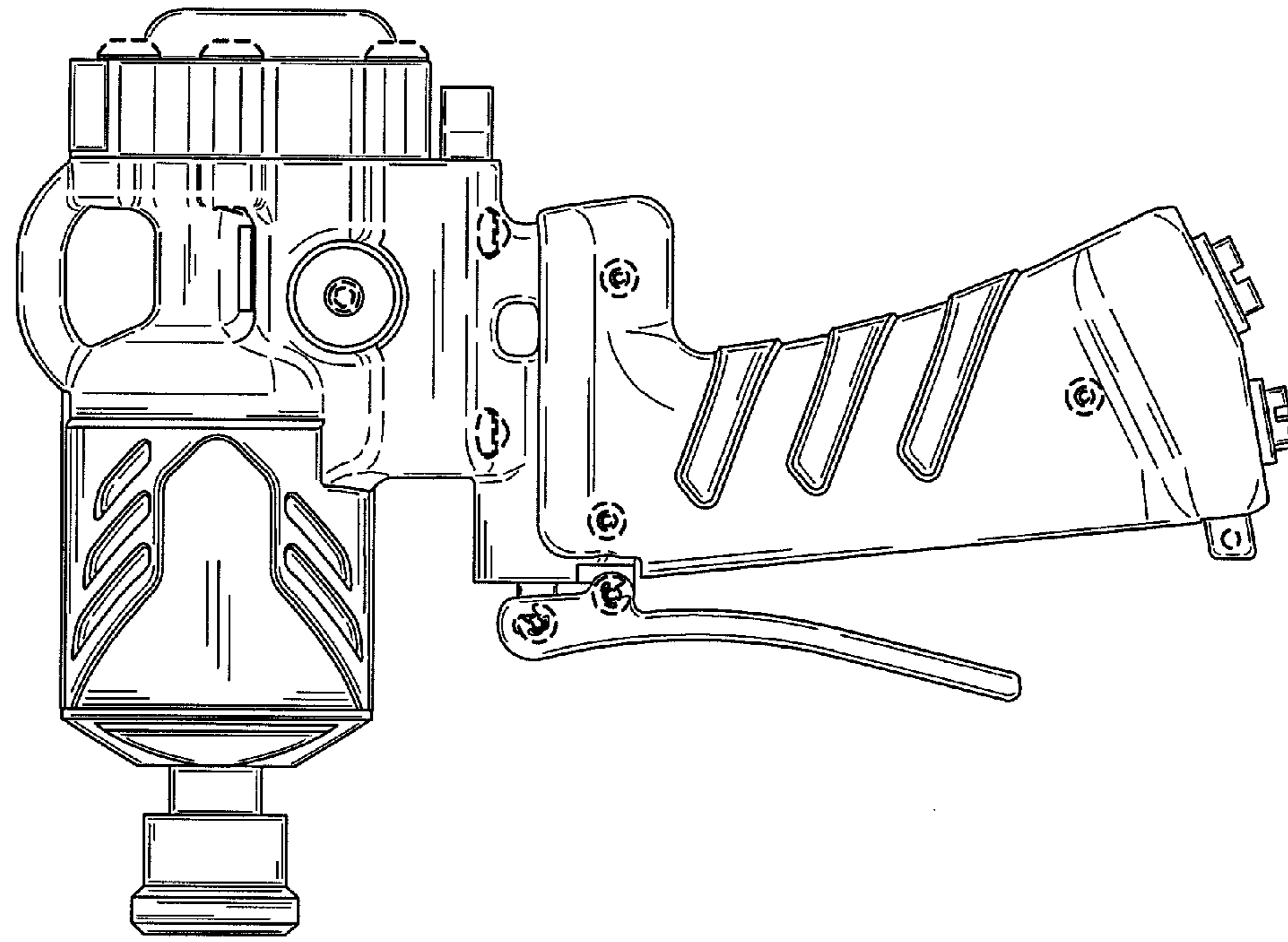


FIG. 3

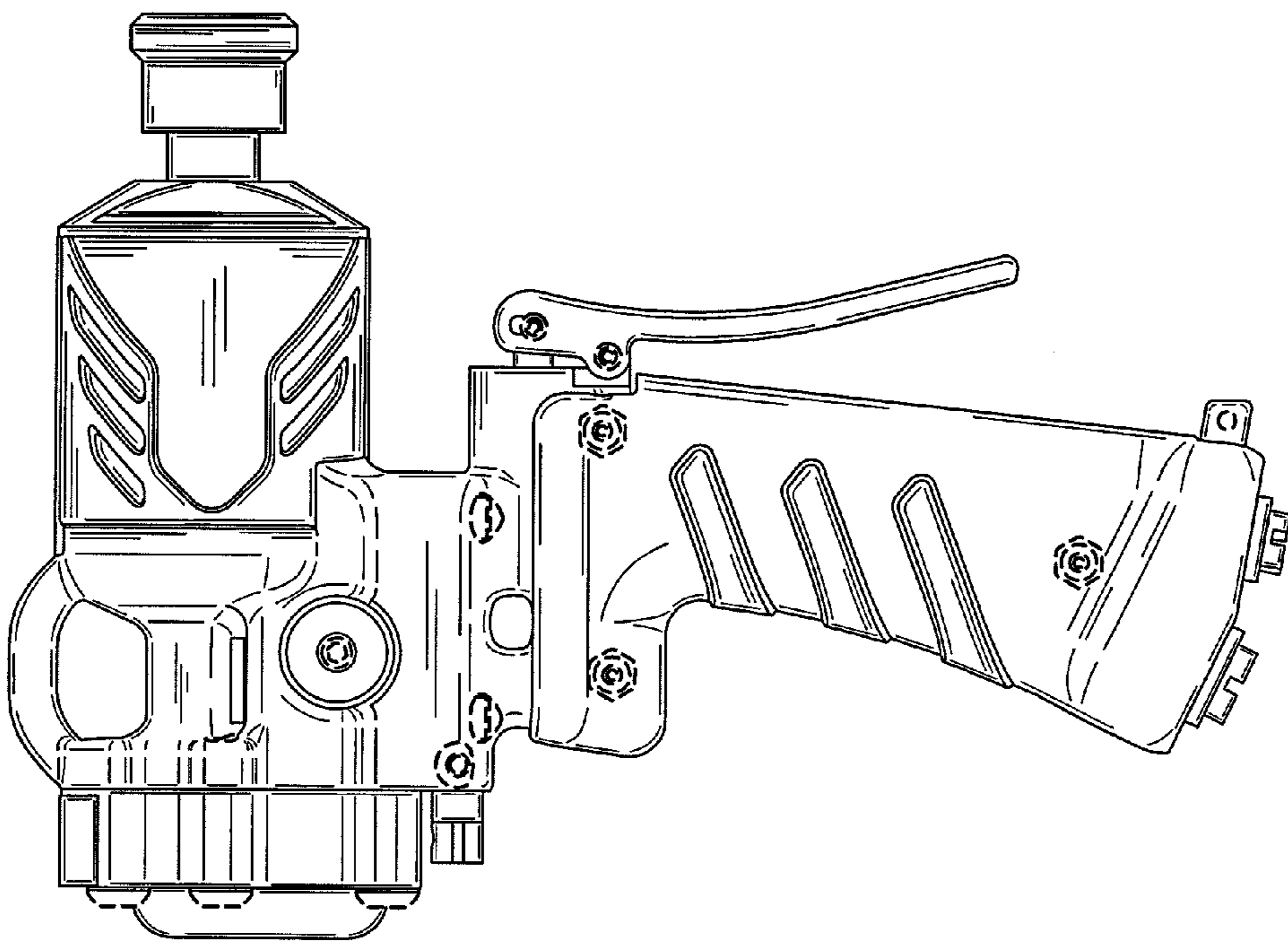


FIG. 2

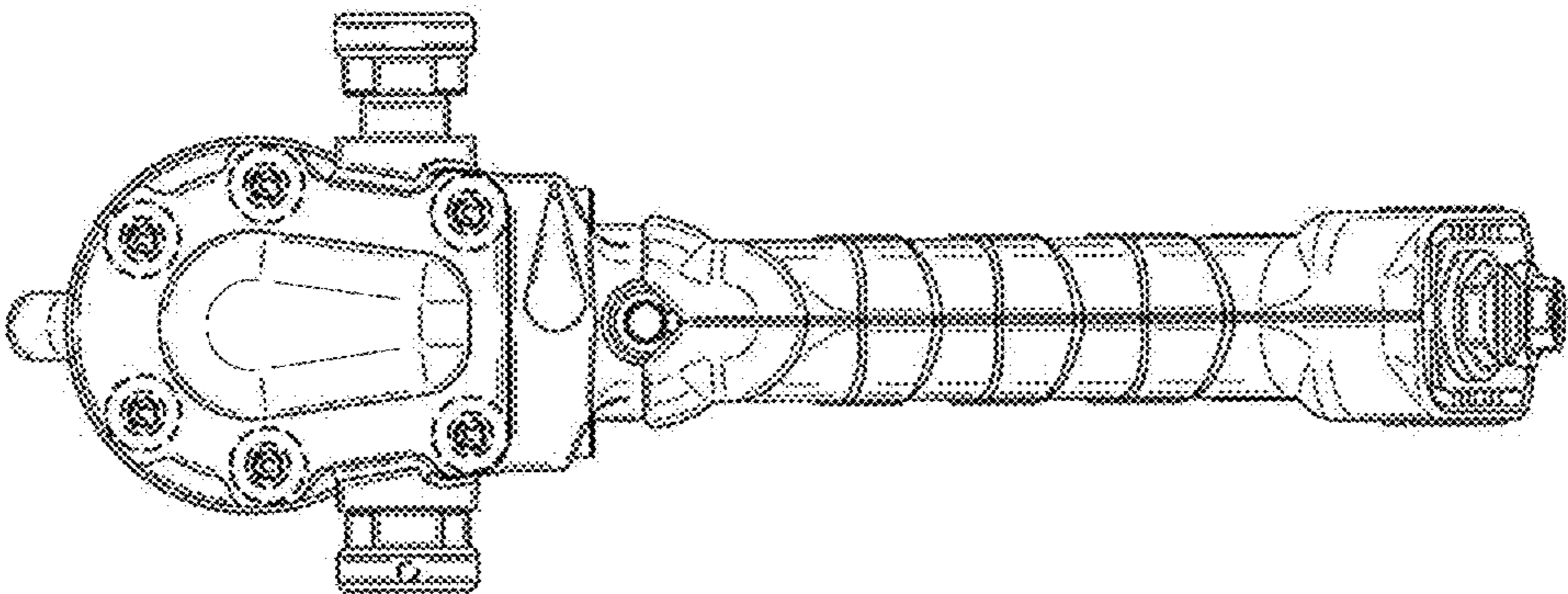


FIG. 5

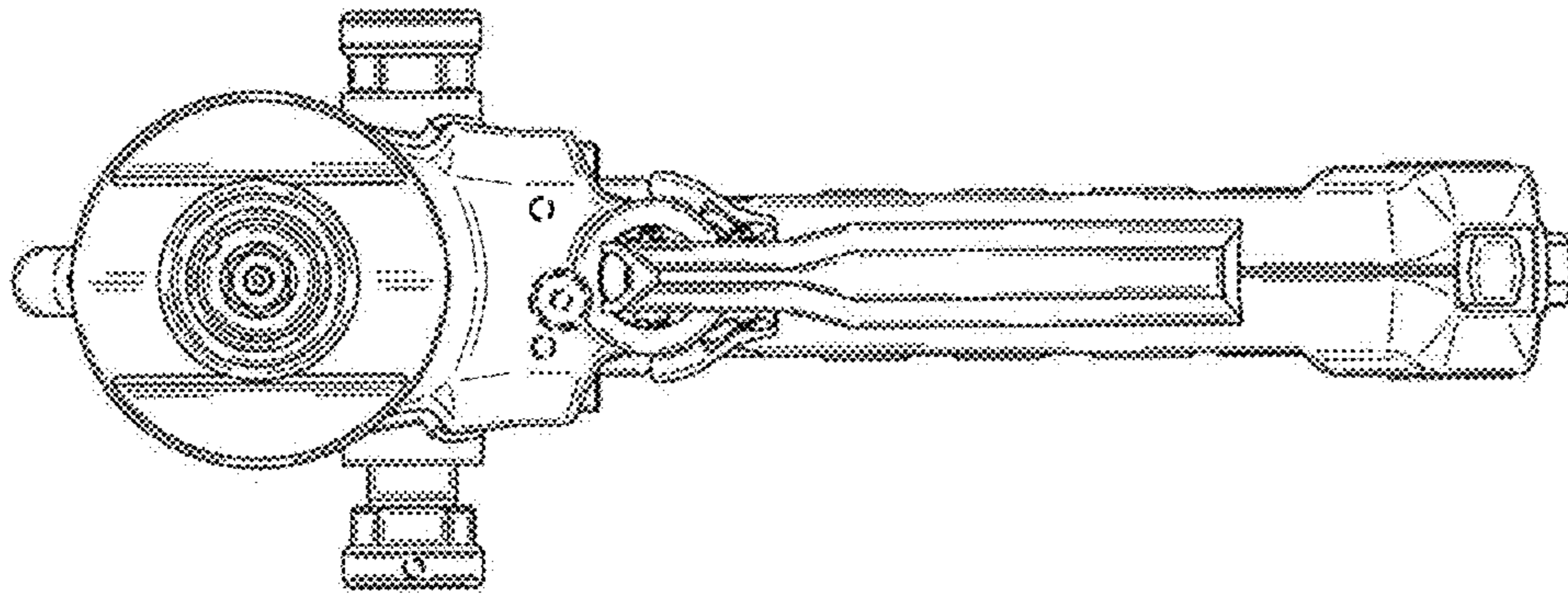


FIG. 4

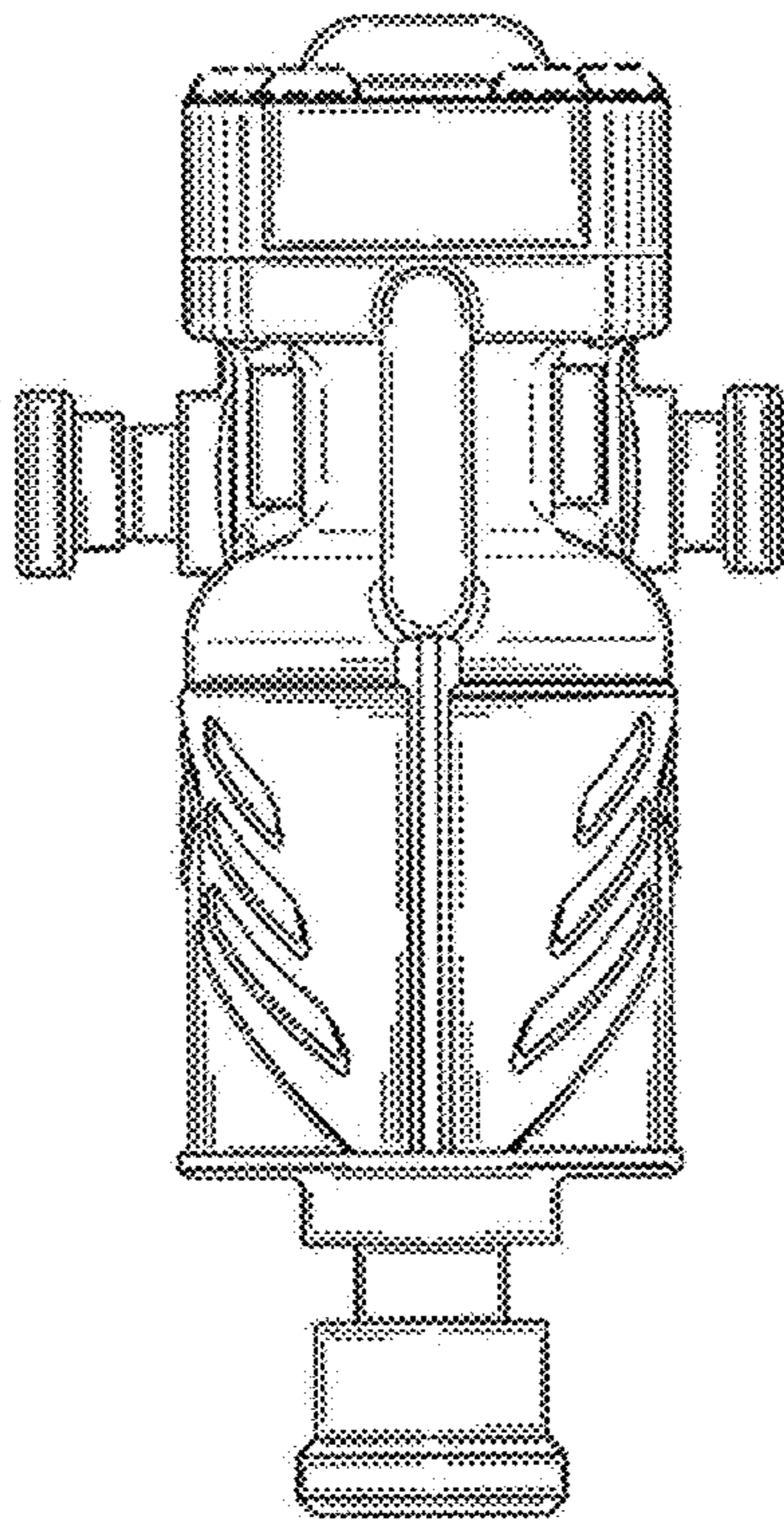


FIG. 6

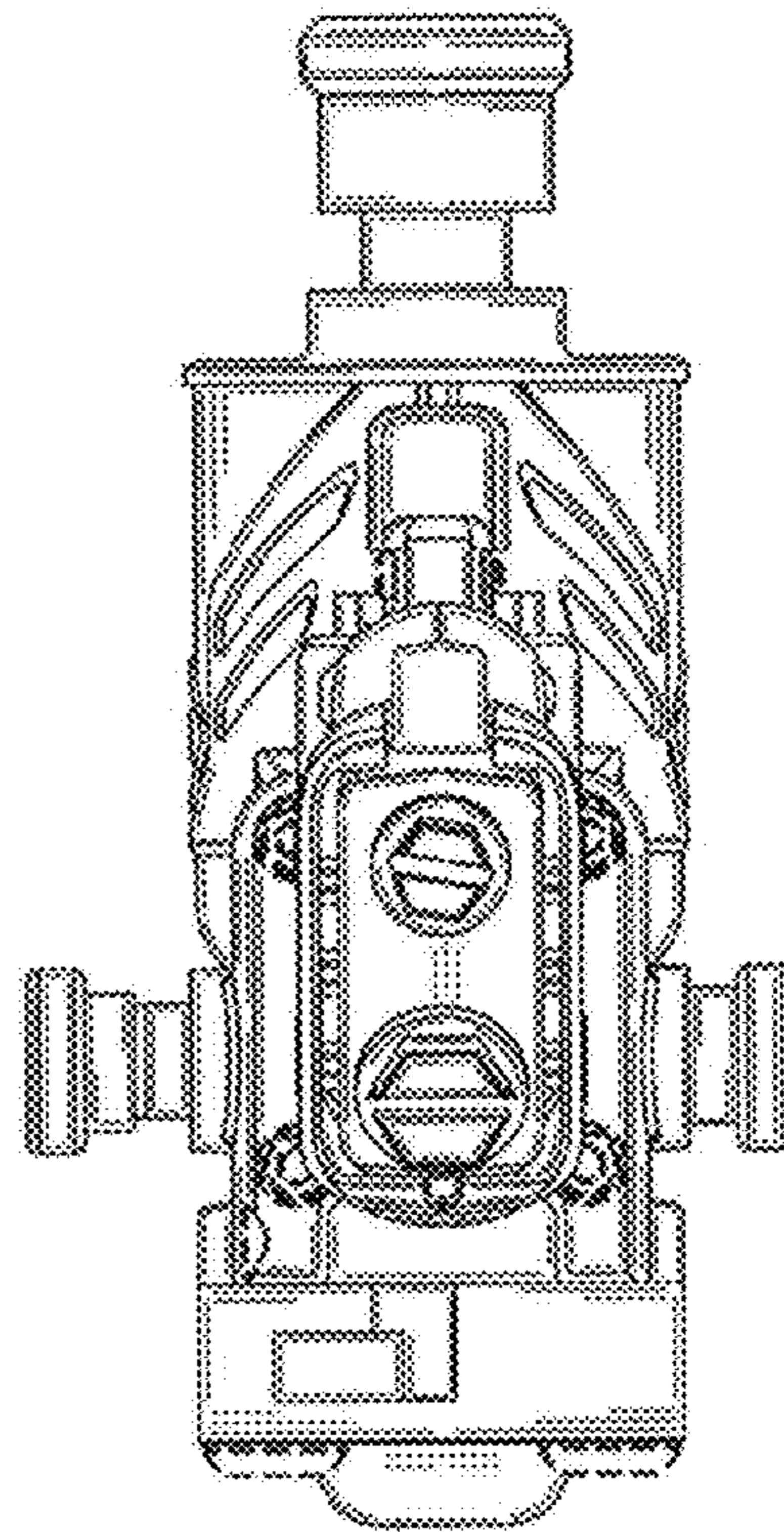


FIG. 7