



US00D676297S

(12) **United States Design Patent**
Bigelow

(10) **Patent No.:** **US D676,297 S**

(45) **Date of Patent:** **** Feb. 19, 2013**

(54) **BEVERAGE CAP OPENER**

(76) Inventor: **James Richard Bigelow**, Lakewood,
WA (US)

(**) Term: **14 Years**

(21) Appl. No.: **29/418,988**

(22) Filed: **Apr. 24, 2012**

Related U.S. Application Data

(62) Division of application No. 29/391,063, filed on May 3, 2011, now Pat. No. Des. 660,113.

(51) **LOC (9) Cl.** **07-99**

(52) **U.S. Cl.** **D8/38**

(58) **Field of Classification Search** D8/14,
D8/16-19, 333-43, 88, 89, 105; 7/113, 151-156;
30/400-410, 416-430, 433, 434, 443, 450;
81/3.07, 3.09, 3.2, 3.27, 3.29, 3.31, 3.35,
81/3.37, 3.4, 3.45, 3.48, 3.49, 3.55
See application file for complete search history.

(56) **References Cited**

U.S. PATENT DOCUMENTS

D141,816 S * 7/1945 Johnson D8/38
D141,817 S * 7/1945 Johnson D8/38

D282,343 S * 1/1986 Pinder D8/40
D353,086 S * 12/1994 Koehler D8/14
D368,006 S * 3/1996 Aldrich D8/14
D374,740 S * 10/1996 Seaman et al. D8/34
D403,562 S * 1/1999 Molaro D8/38
D660,113 S * 5/2012 Bigelow D8/38

* cited by examiner

Primary Examiner — Garth Rademaker

(74) *Attorney, Agent, or Firm* — Dean A. Craine

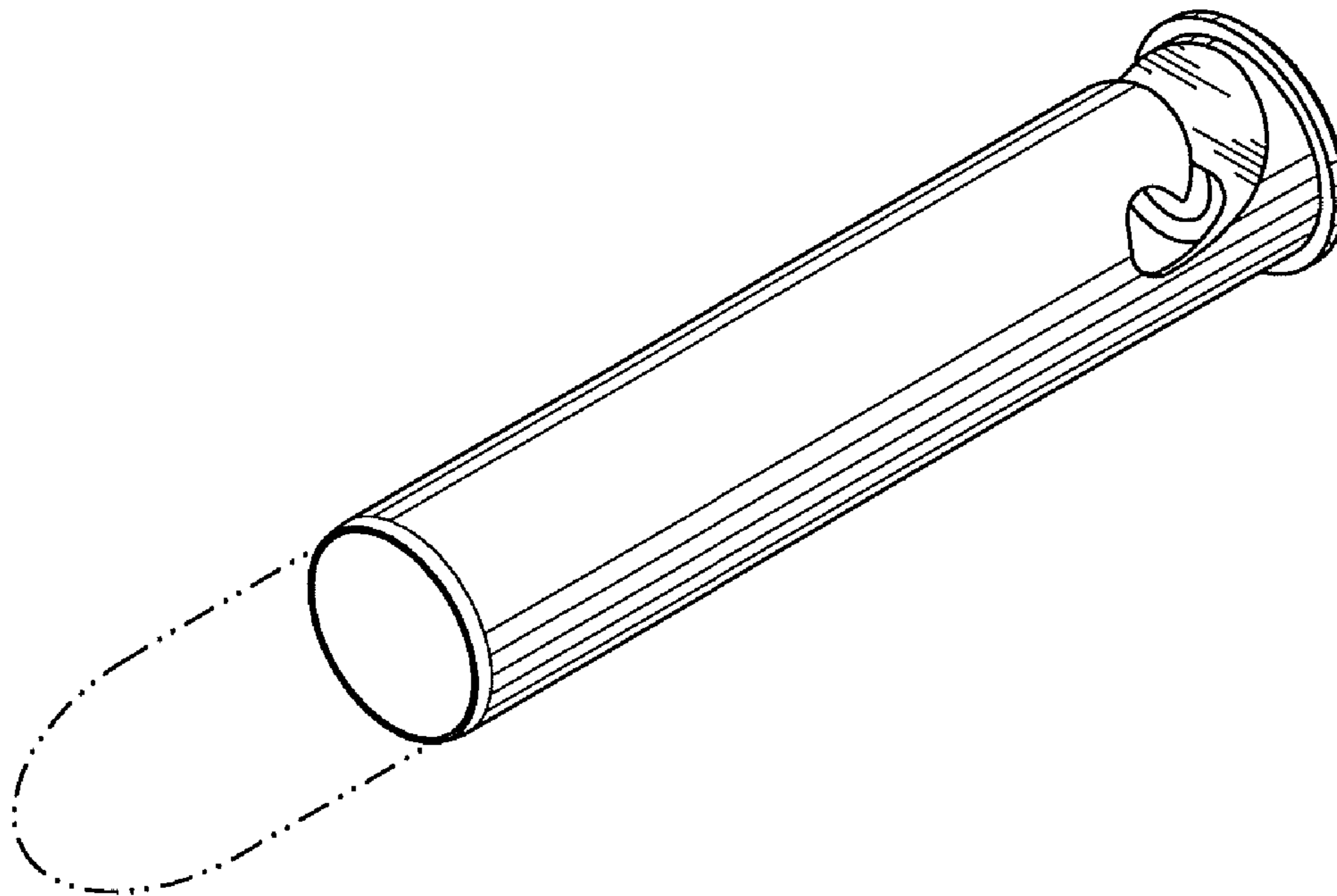
(57) **CLAIM**

The ornamental design for a beverage cap opener, as shown and described.

DESCRIPTION

FIG. 1 is a perspective view of a beverage cap opener.
FIG. 2 is a front view of the beverage cap opener.
FIG. 3 is a right side elevational view of the beverage cap opener.
FIG. 4 is a top plan view of the beverage cap opener; and,
FIG. 5 is a bottom plan view of the beverage cap opener.
The broken lines depict environmental subject matter only and form no part of the claimed invention.

1 Claim, 1 Drawing Sheet



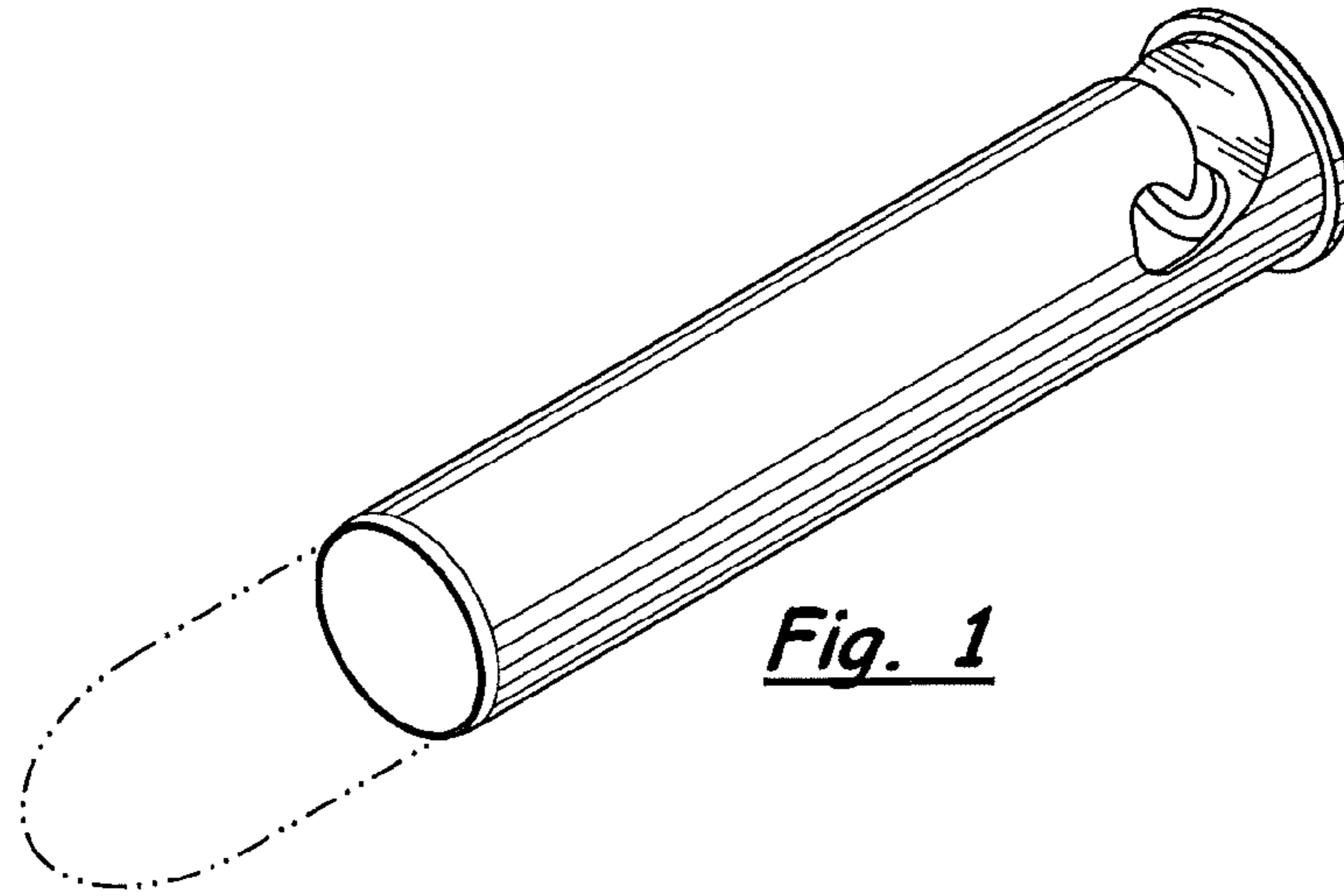


Fig. 1

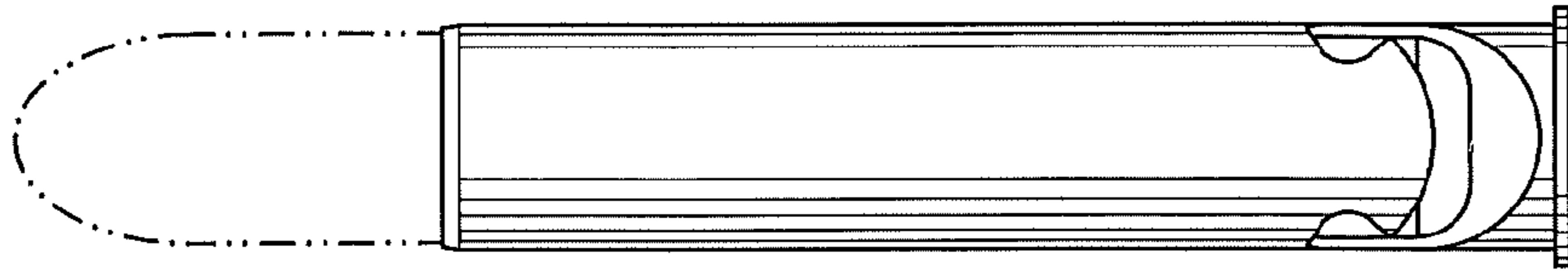


Fig. 2

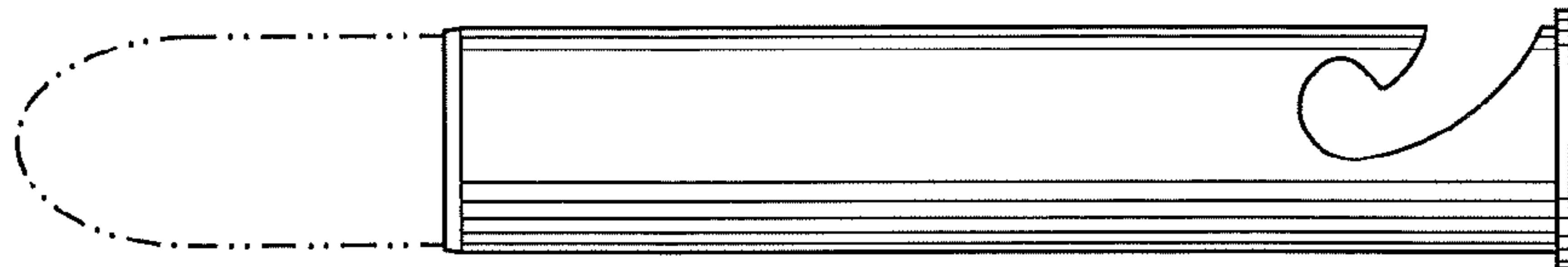


Fig. 3

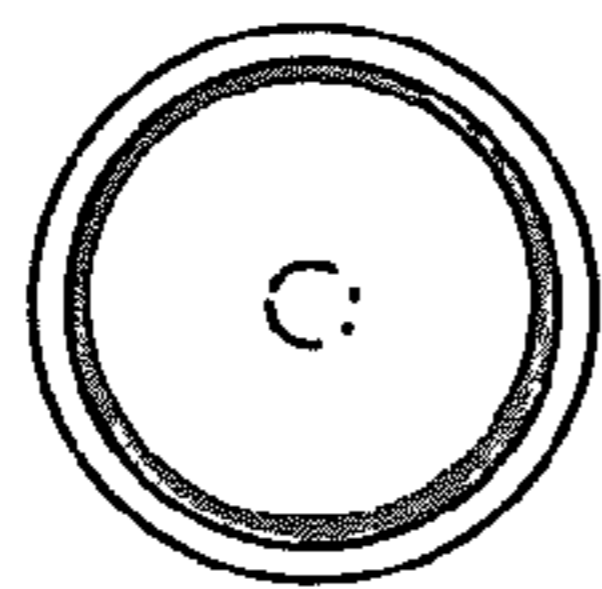


Fig. 4

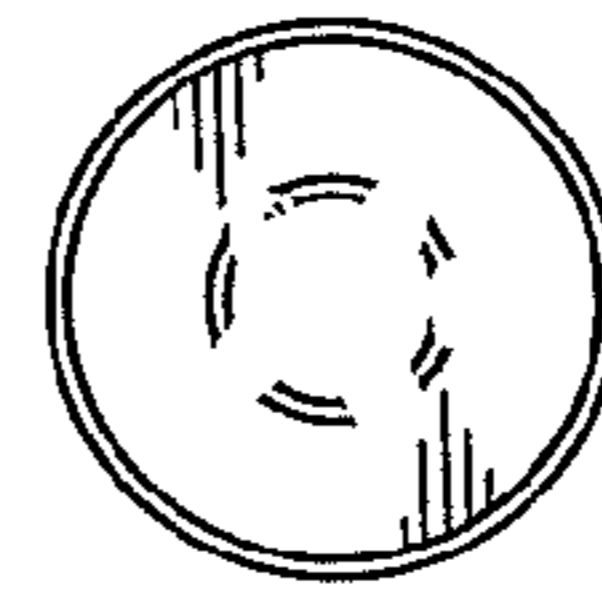


Fig. 5