



US00D676296S

(12) **United States Design Patent**
Chen

(10) **Patent No.:** **US D676,296 S**

(45) **Date of Patent:** **** Feb. 19, 2013**

(54) **SOCKET WRENCH**

(75) Inventor: **Kun-Chen Chen**, Taichung (TW)

(73) Assignee: **A-Tina Tools Co., Ltd.**, Taichung (TW)

(**) Term: **14 Years**

(21) Appl. No.: **29/417,678**

(22) Filed: **Apr. 6, 2012**

(51) **LOC (9) Cl.** **08-05**

(52) **U.S. Cl.** **D8/25**

(58) **Field of Classification Search** D8/21-29;
81/60, 177.1, 177.85, 121.1, 124.3, 165-170,
81/110.1, 176.2, 124.6, 176.1, 176.15, 177.2,
81/186, 125, 119, 180.1, 185.02; 16/110.1;
D15/144.1; 219/75, 227, 229, 121.16, 121.18
See application file for complete search history.

(56) **References Cited**

U.S. PATENT DOCUMENTS

4,170,909	A *	10/1979	Wagner	81/63.2
D270,227	S *	8/1983	Roth et al.	D8/25
D441,624	S *	5/2001	Hsu	D8/25
D456,232	S *	4/2002	Chen	D8/61
D471,775	S *	3/2003	Wang	D8/25
D475,260	S *	6/2003	Hillinger et al.	D8/25
6,634,262	B2 *	10/2003	Malchus	81/490

6,684,738	B2 *	2/2004	Huang	81/60
D527,591	S *	9/2006	Liao	D8/25
D603,234	S *	11/2009	Lin	D8/25
D607,289	S *	1/2010	Lambert	D8/28
2004/0163501	A1 *	8/2004	Chen	81/177.1

* cited by examiner

Primary Examiner — Raphael Barkai

Assistant Examiner — Randall Gholson

(74) *Attorney, Agent, or Firm* — patenttm.us

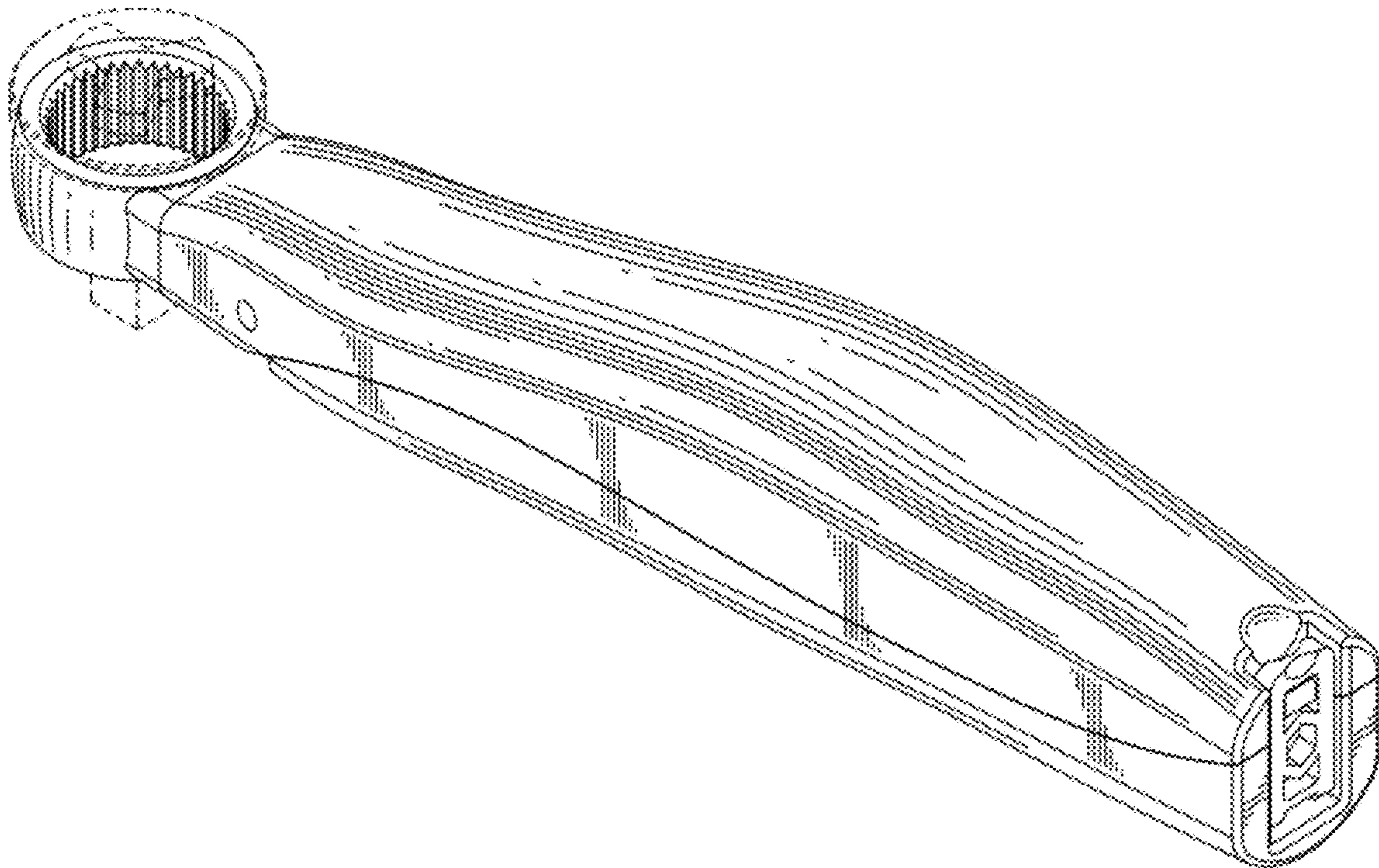
(57) **CLAIM**

The ornamental design for a socket wrench, as shown and described.

DESCRIPTION

FIG. 1 is a perspective view of a socket wrench, showing my new new design;
FIG. 2 is a front view thereof;
FIG. 3 is a rear view thereof;
FIG. 4 is a left side view thereof;
FIG. 5 is a right side view thereof;
FIG. 6 is a top view thereof;
FIG. 7 is a bottom view thereof; and,
FIG. 8 is another perspective view thereof.
The broken lines are shown for illustrative purposes only and form no part of the claimed design.

1 Claim, 5 Drawing Sheets



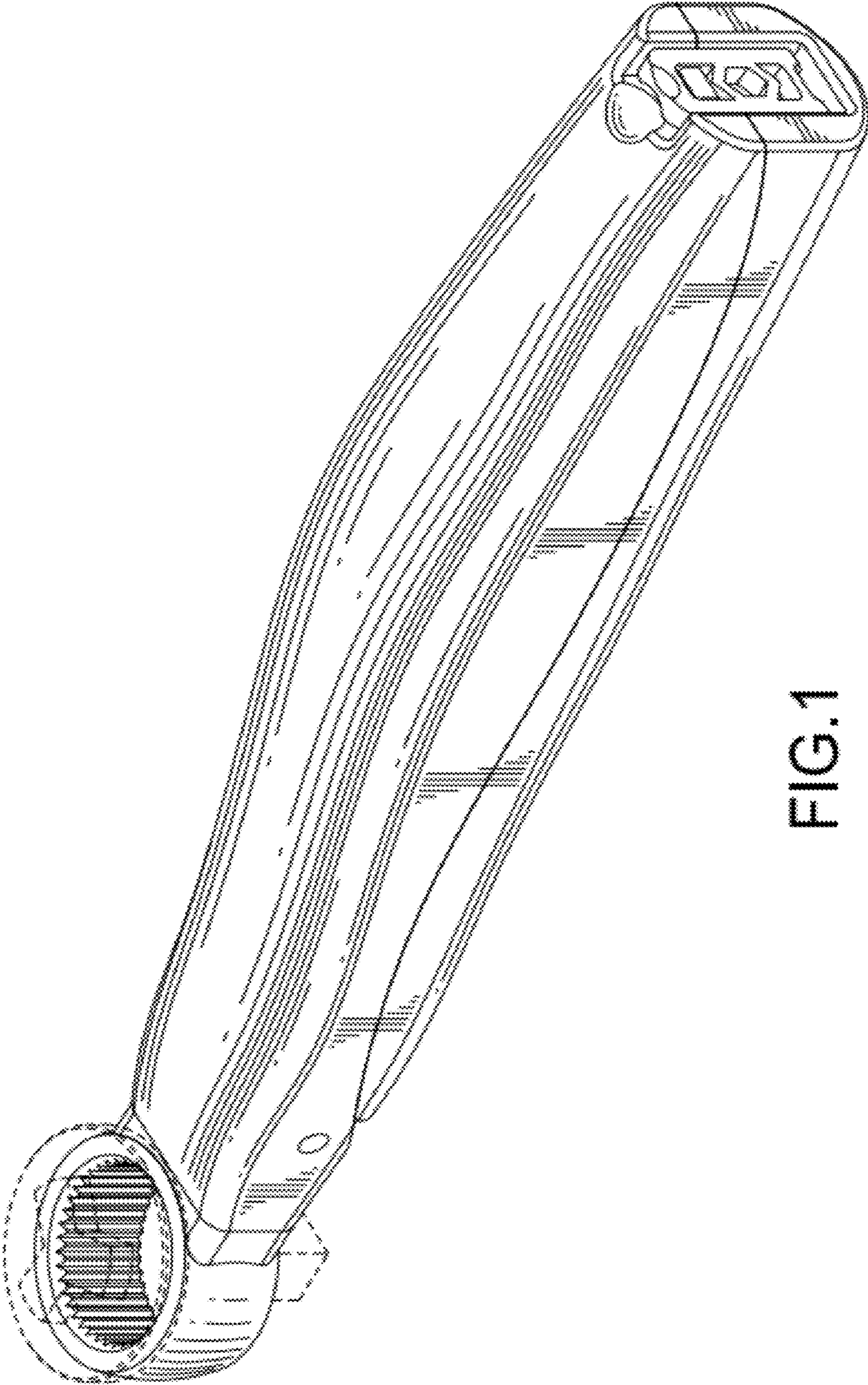


FIG.1

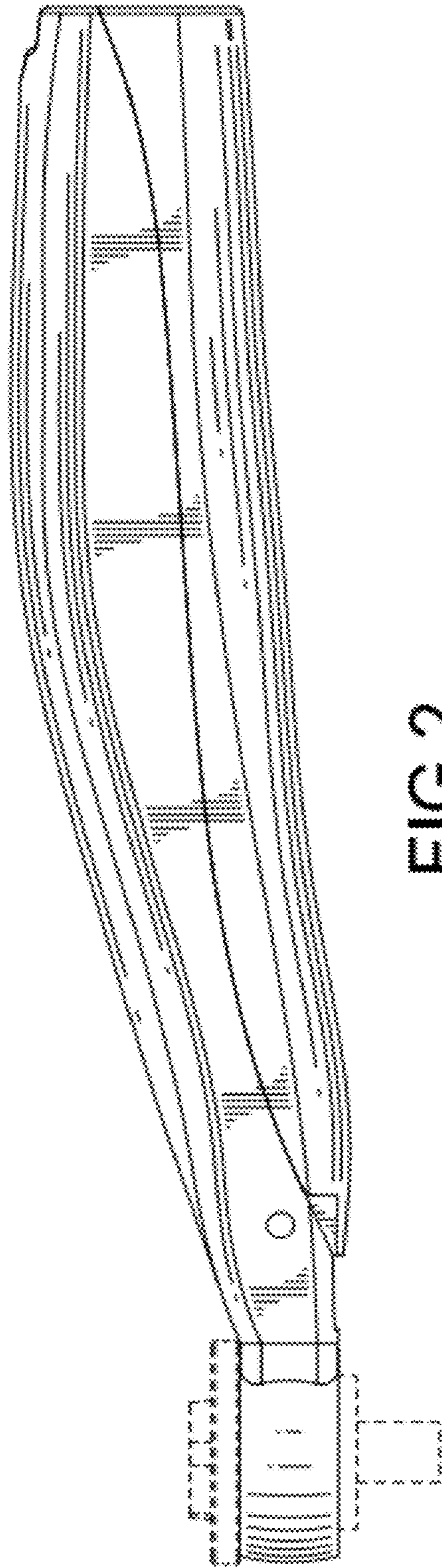


FIG. 2

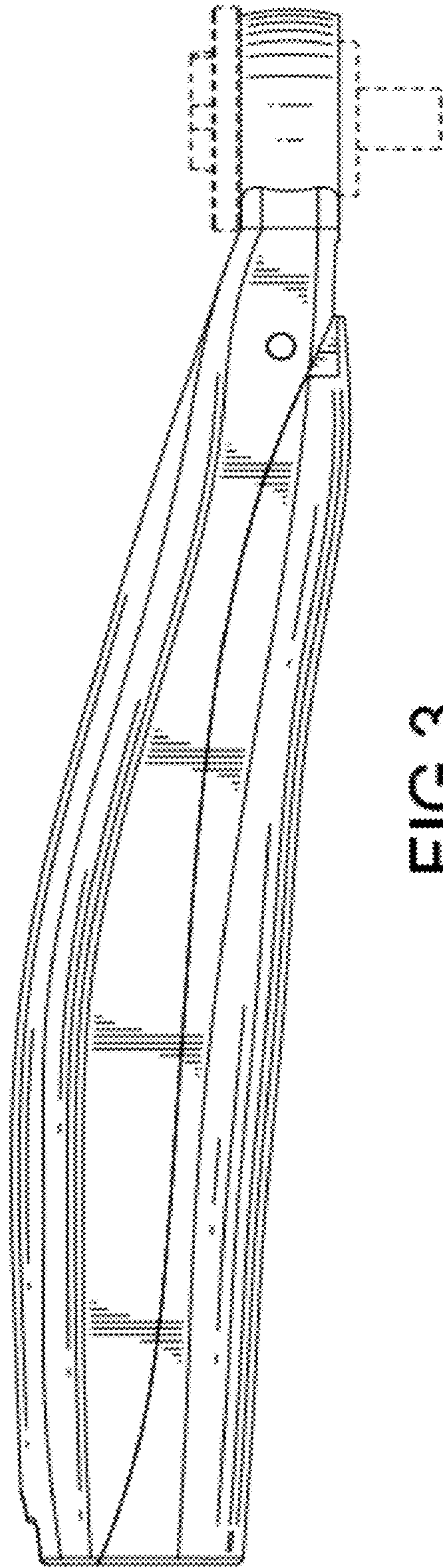


FIG. 3

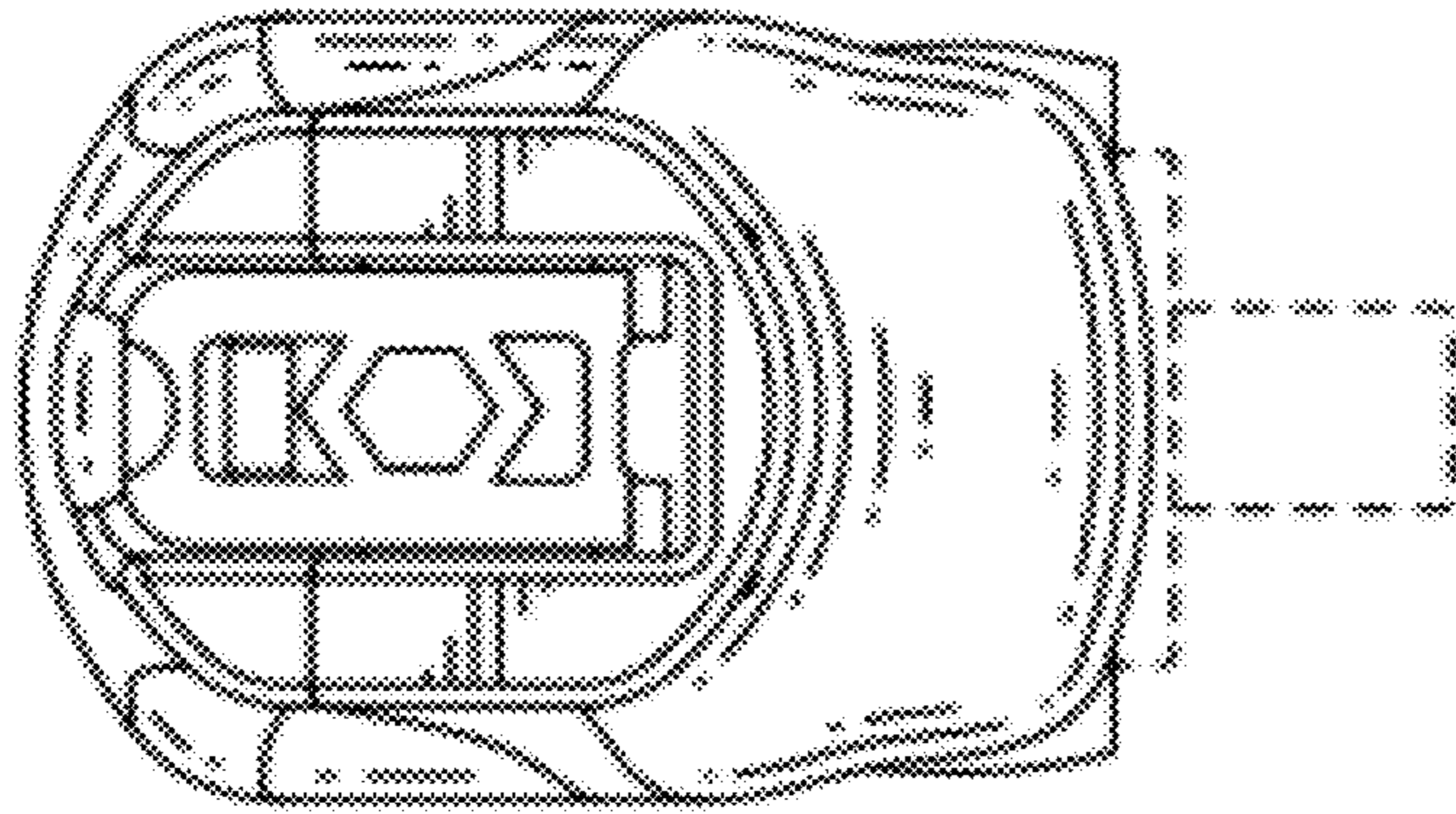


FIG. 4

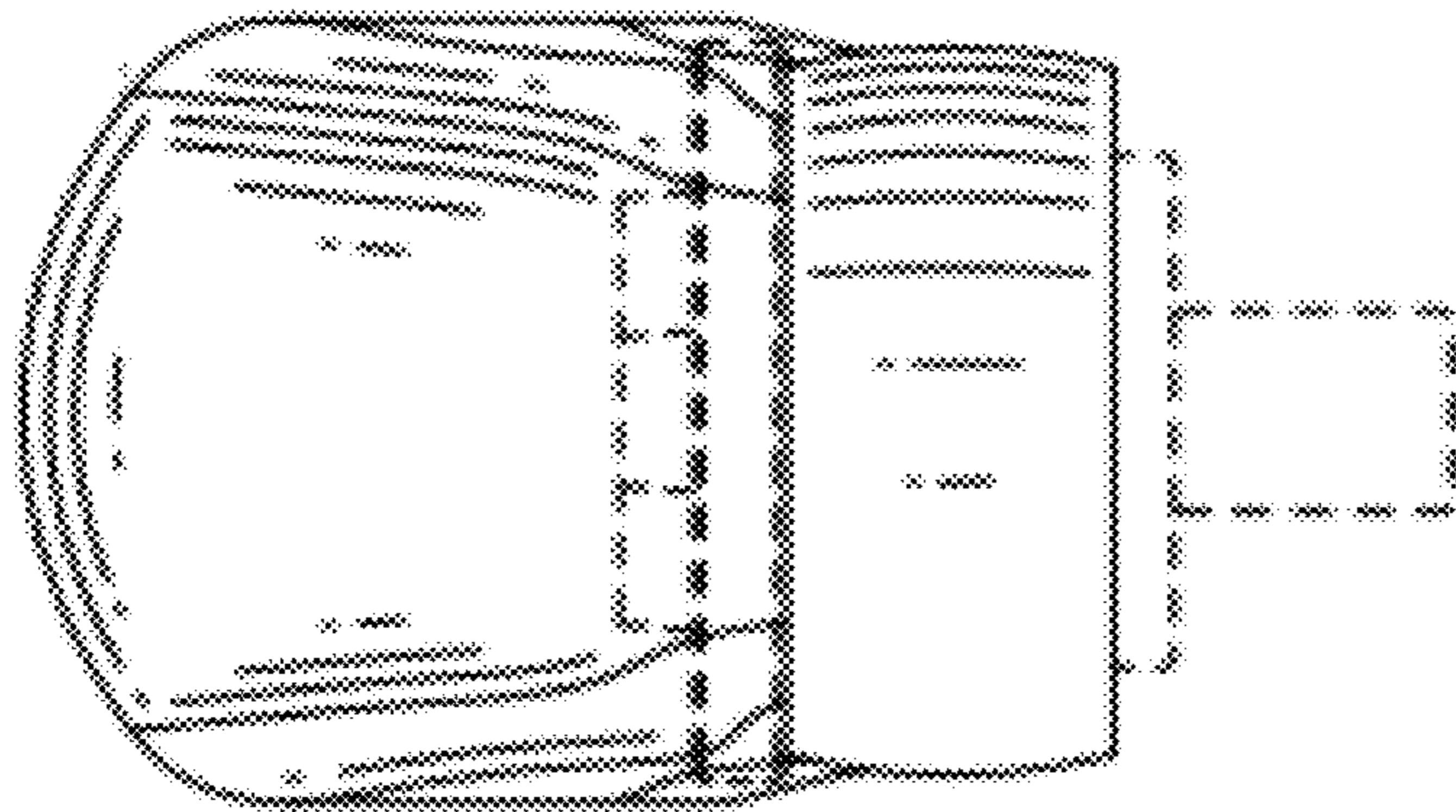


FIG. 5

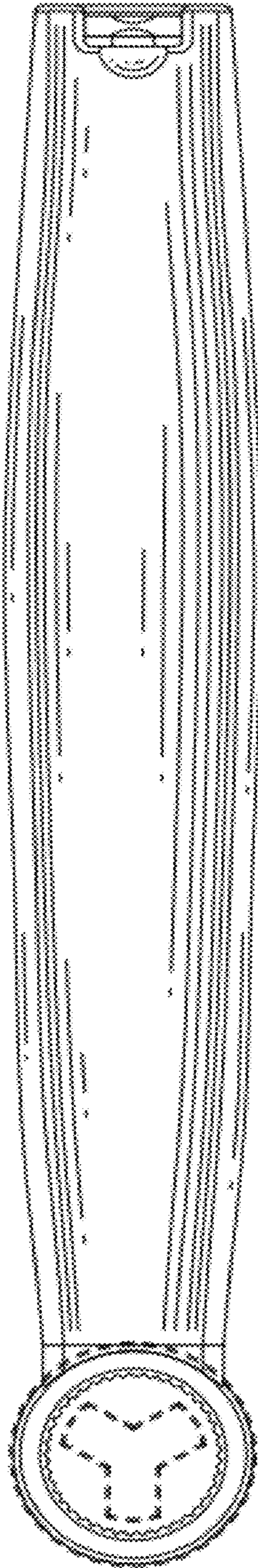


FIG. 6

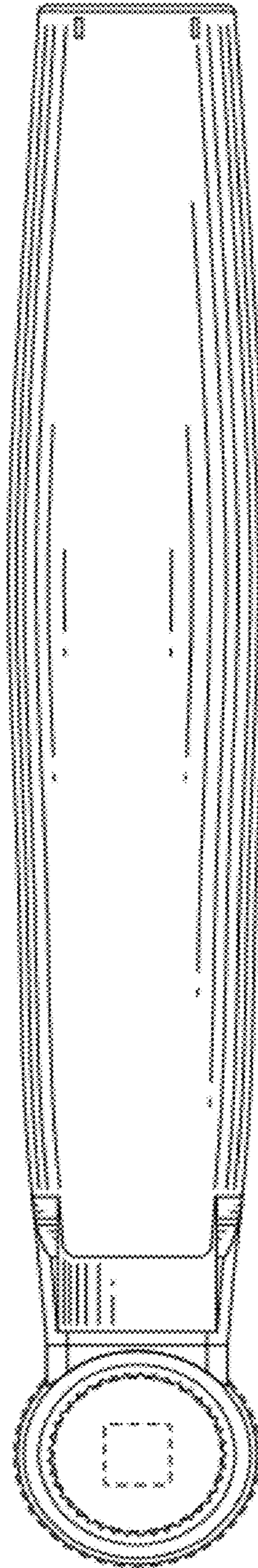


FIG. 7

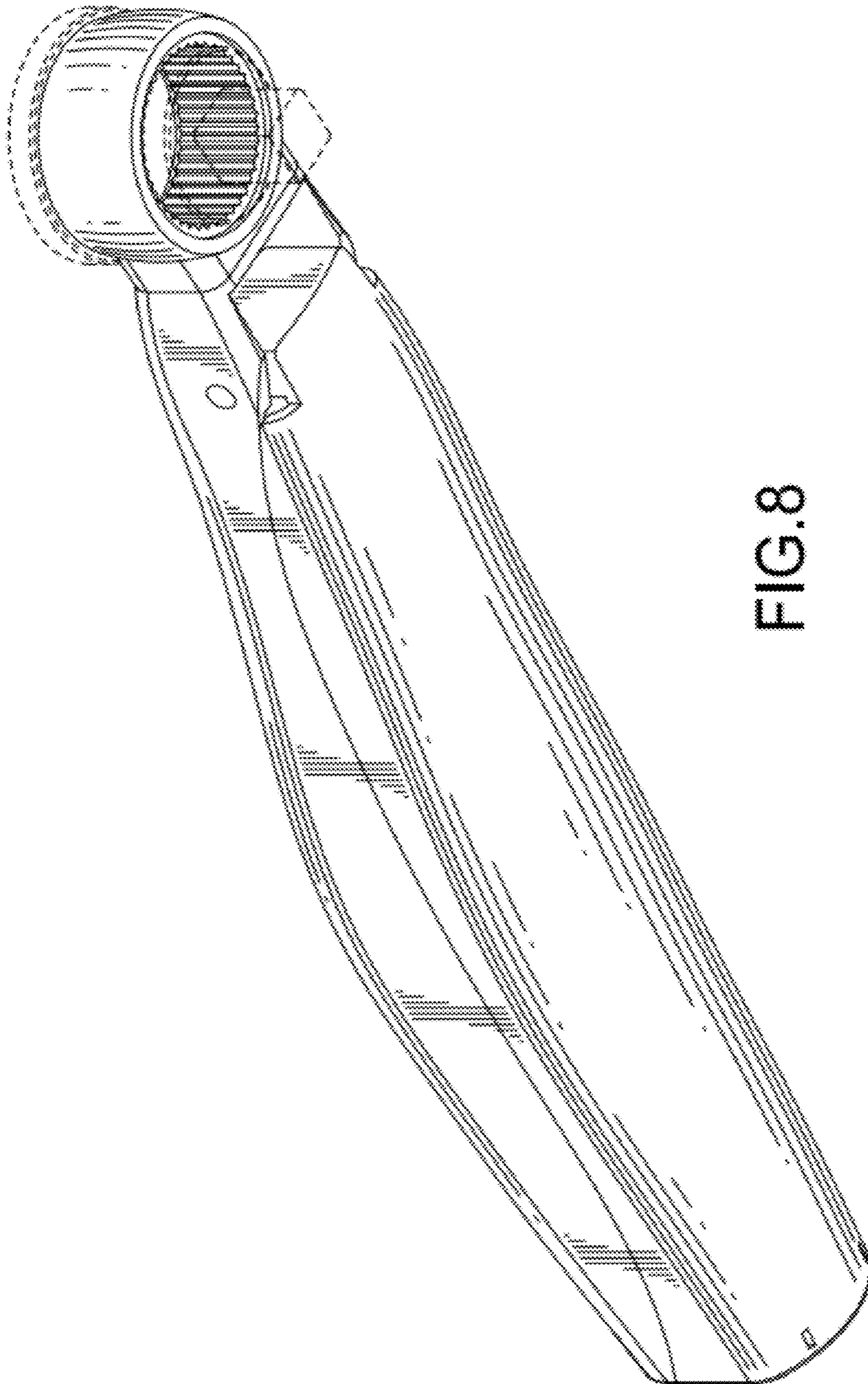


FIG.8