



US00D676295S

(12) **United States Design Patent**  
**Anderson**

(10) **Patent No.:** **US D676,295 S**

(45) **Date of Patent:** **\*\* Feb. 19, 2013**

(54) **BALLOON TYING TOOL**

(76) Inventor: **Patricia E. Anderson**, Topanga, CA  
(US)

(\*\*) Term: **14 Years**

(21) Appl. No.: **29/403,339**

(22) Filed: **Oct. 4, 2011**

(51) **LOC (9) Cl.** ..... **08-05**

(52) **U.S. Cl.** ..... **D8/14**

(58) **Field of Classification Search** ..... D8/14,  
D8/82-83, 105, 107; D3/207, 208-210;  
D22/145-146, 149; 289/17; 81/436, 489,  
81/492, 499

See application file for complete search history.

(56) **References Cited**

U.S. PATENT DOCUMENTS

236,692	A *	1/1881	Peakman	.....	81/436
359,400	A *	3/1887	Mosher	.....	81/489
370,255	A *	9/1887	Hart	.....	81/436
D19,980	S *	7/1890	Gurney	.....	D8/107
D19,981	S *	7/1890	Gurney	.....	D8/89
466,678	A *	1/1892	Gurney	.....	81/436
D25,631	S *	6/1896	Hayden	.....	D8/499
D48,218	S *	11/1915	Bowker	.....	D8/82
1,522,607	A *	1/1925	Anderson	.....	24/3.6
D172,298	S *	5/1954	Odenchrants	.....	D11/208
2,836,210	A *	5/1958	Garofalo	.....	81/440
3,110,478	A *	11/1963	Bostick	.....	254/134.3 FT
3,512,223	A *	5/1970	Willinger	.....	403/209
3,858,848	A *	1/1975	MacFetrich	.....	254/134.3 FT
D236,680	S *	9/1975	Jaques	.....	D8/14
D238,246	S *	12/1975	Rickard	.....	D8/71
3,979,106	A *	9/1976	Jaques	.....	254/134.3 FT
4,171,840	A *	10/1979	Berzenye	.....	294/74

D276,479	S *	11/1984	Mori	.....	D3/208
5,568,950	A *	10/1996	Herren	.....	289/17
D378,630	S *	4/1997	Carman	.....	D3/207
5,690,444	A *	11/1997	Yuuki et al.	.....	403/268
5,882,051	A *	3/1999	Dreger et al.	.....	289/17
6,751,829	B2 *	6/2004	Bergstrom	.....	24/115 H
6,902,212	B1 *	6/2005	Mize	.....	289/17
D526,555	S *	8/2006	Kelleghan	.....	D8/107
D537,700	S *	3/2007	Demar et al.	.....	D8/107
D541,523	S *	5/2007	Zoullas et al.	.....	D3/215
D614,011	S *	4/2010	Hyp	.....	D8/107
D614,018	S *	4/2010	McClanahan et al.	.....	D8/356
D638,192	S *	5/2011	Hatcher et al.	.....	D34/27
7,967,344	B2 *	6/2011	Herren	.....	289/17
2005/0242599	A1 *	11/2005	Demar et al.	.....	294/60
2010/0072750	A1 *	3/2010	Nance	.....	289/1.5

\* cited by examiner

*Primary Examiner* — Philip S Hyder

*Assistant Examiner* — Roselynn Cody

(74) *Attorney, Agent, or Firm* — QuickPatents; Kevin Prince

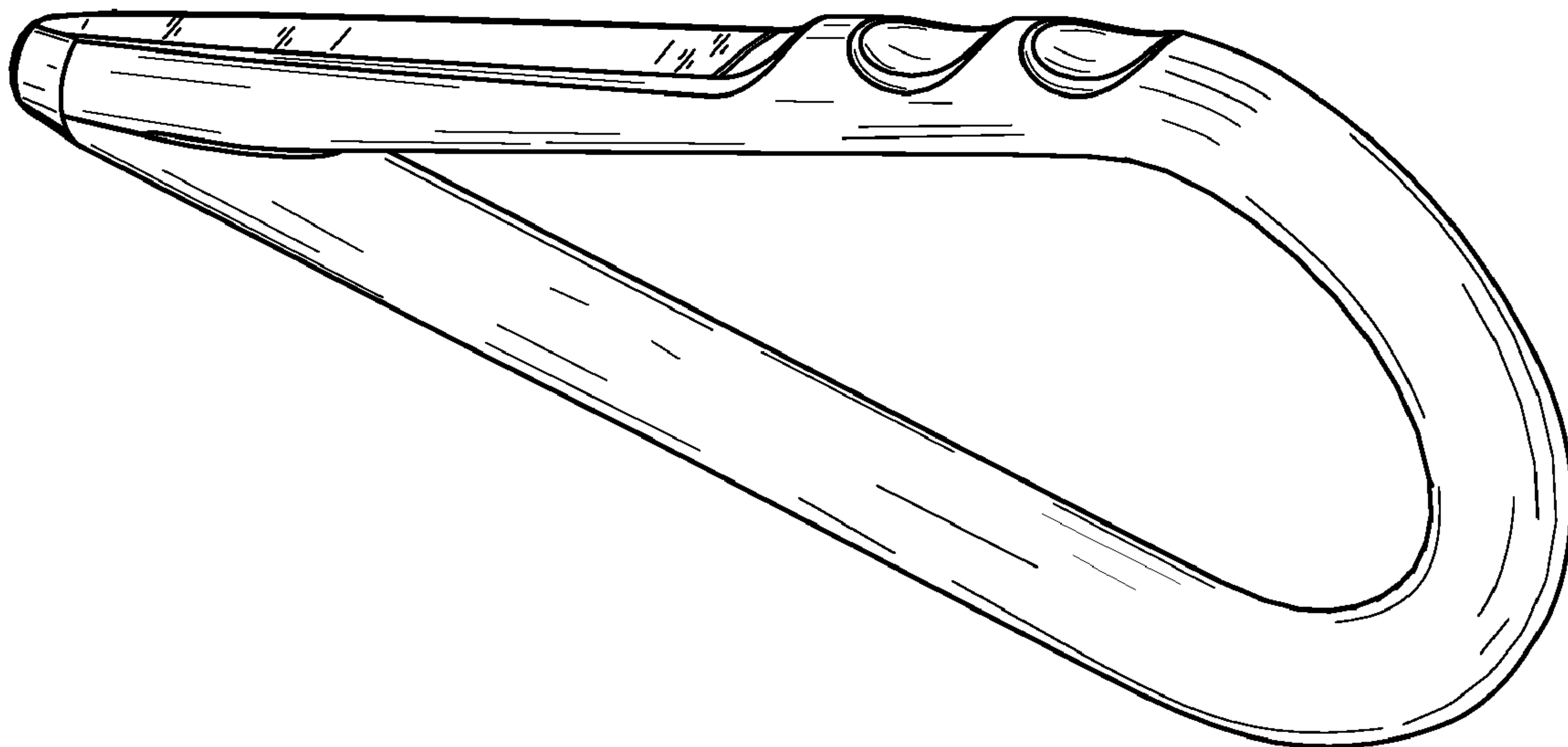
(57) **CLAIM**

I claim the ornamental design for a balloon tying tool, as shown and described.

**DESCRIPTION**

FIG. 1 is a top perspective view of a balloon tying tool, showing my new design;  
FIG. 2 is a bottom perspective view thereof;  
FIG. 3 is a right-side elevational view thereof, the left-side elevational view being a mirror image thereof;  
FIG. 4 is a front elevational view thereof;  
FIG. 5 is a rear elevational view thereof;  
FIG. 6 is a bottom plan view thereof; and,  
FIG. 7 is a top plan view thereof.

**1 Claim, 2 Drawing Sheets**



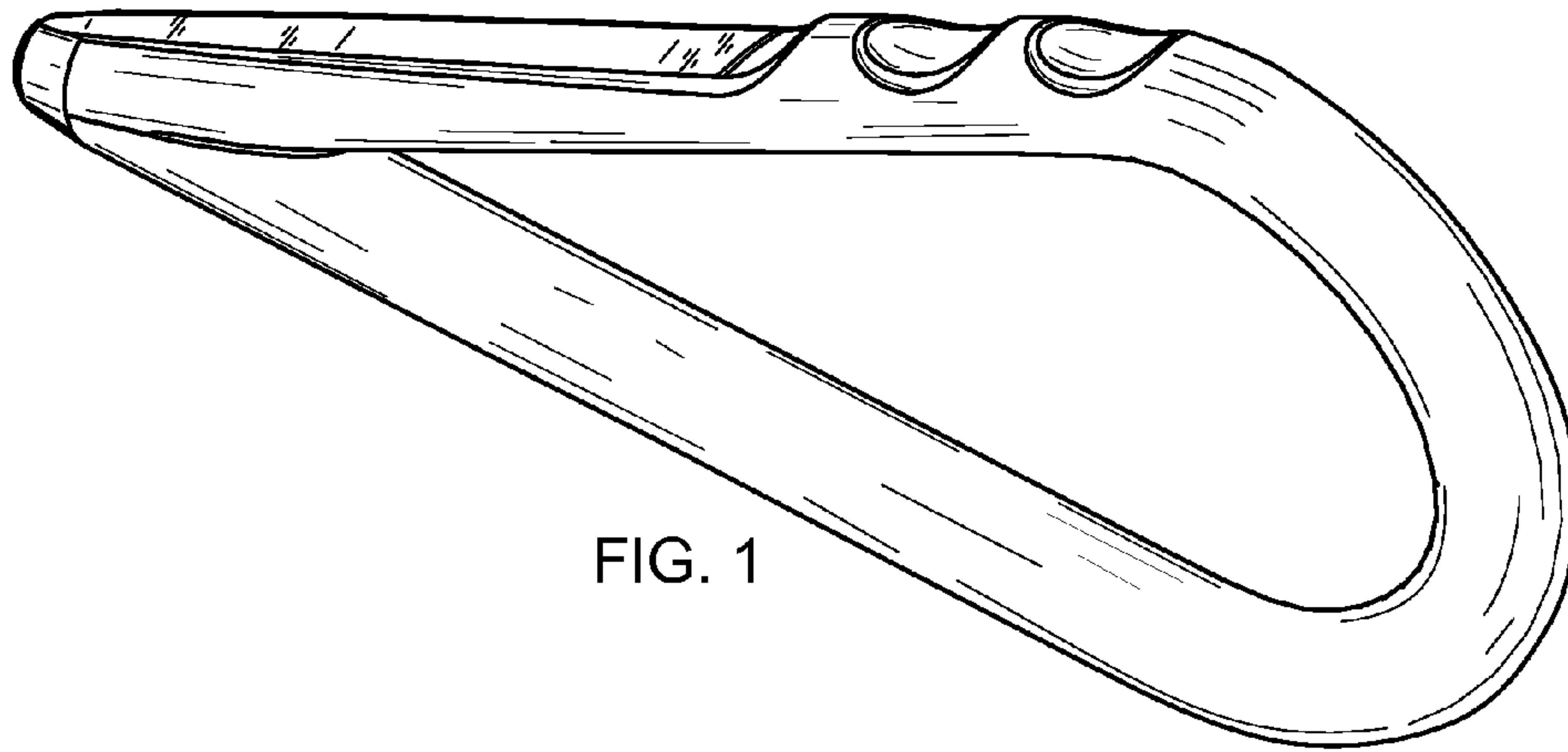


FIG. 1

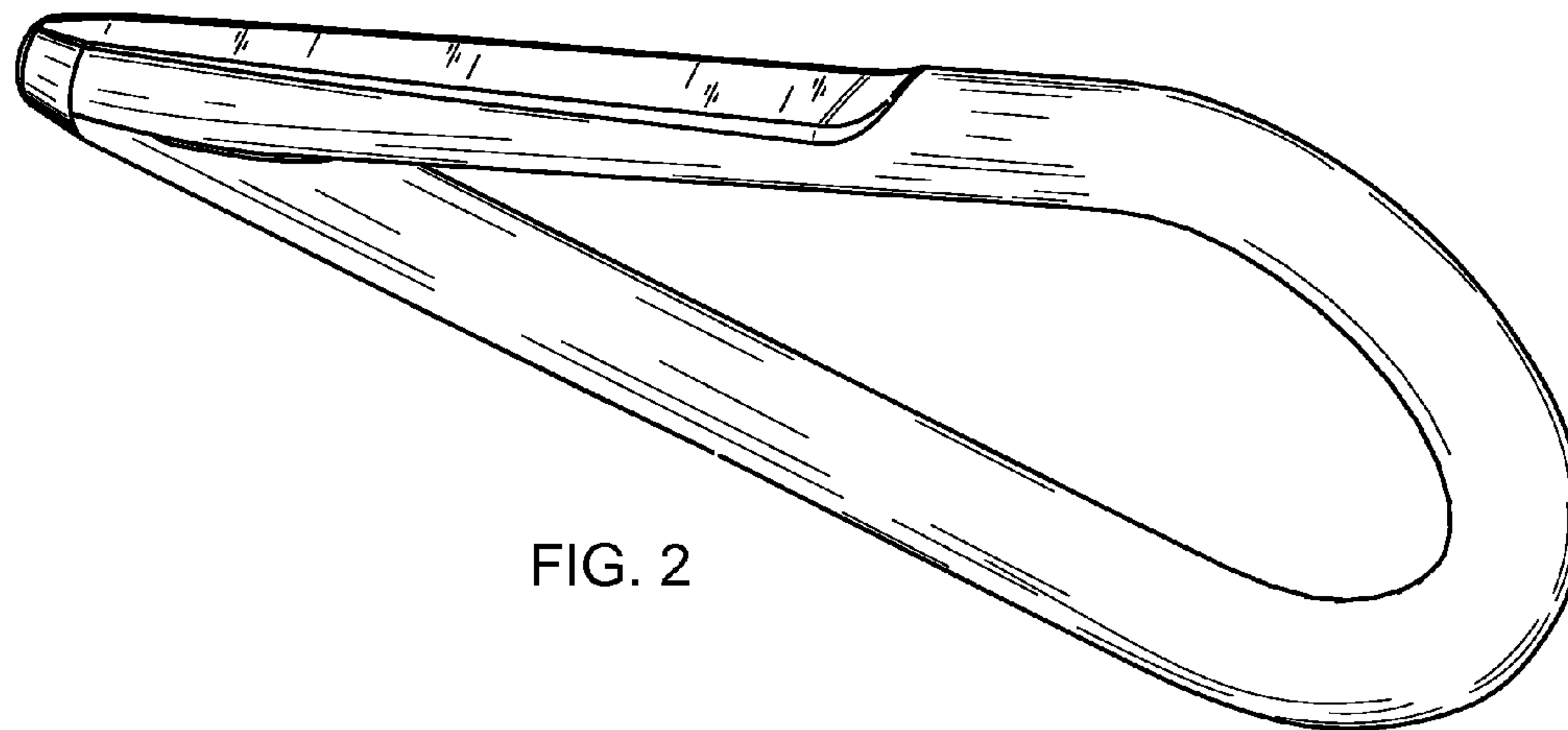


FIG. 2

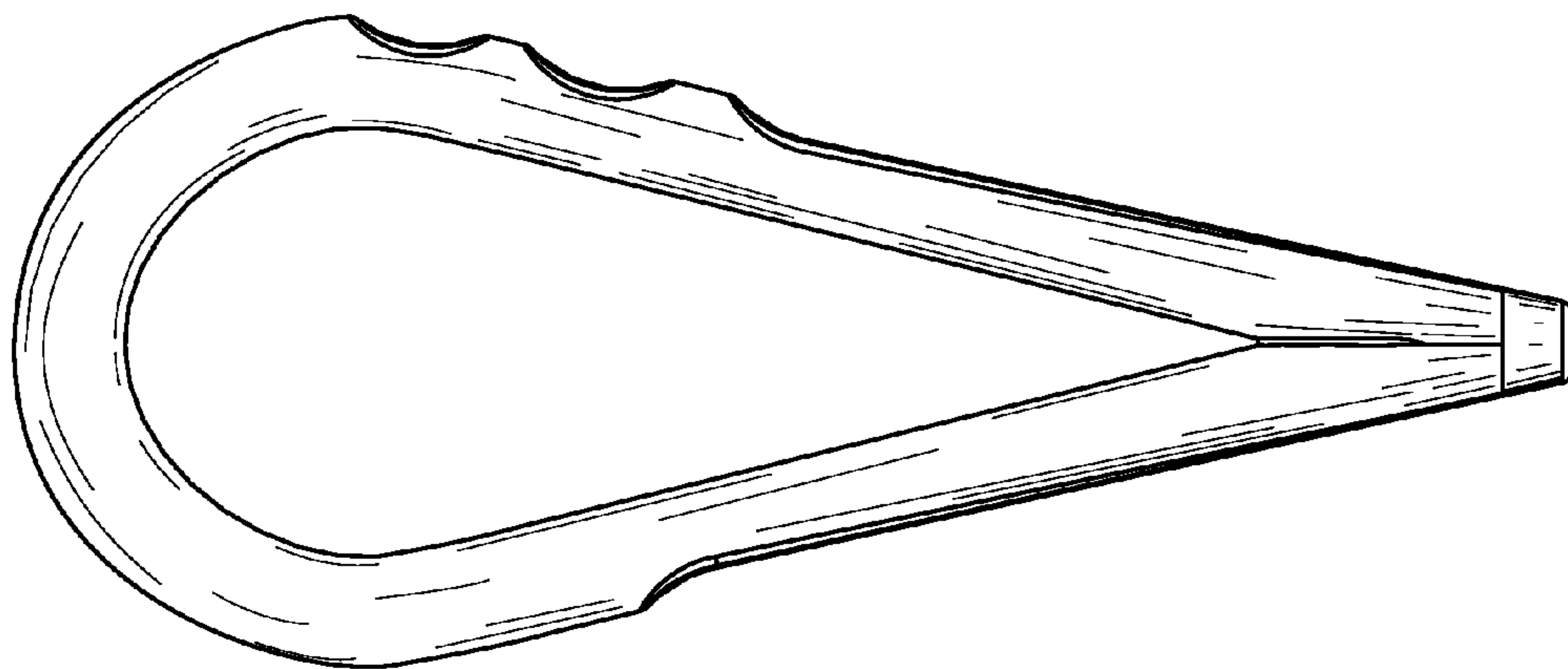


FIG. 3

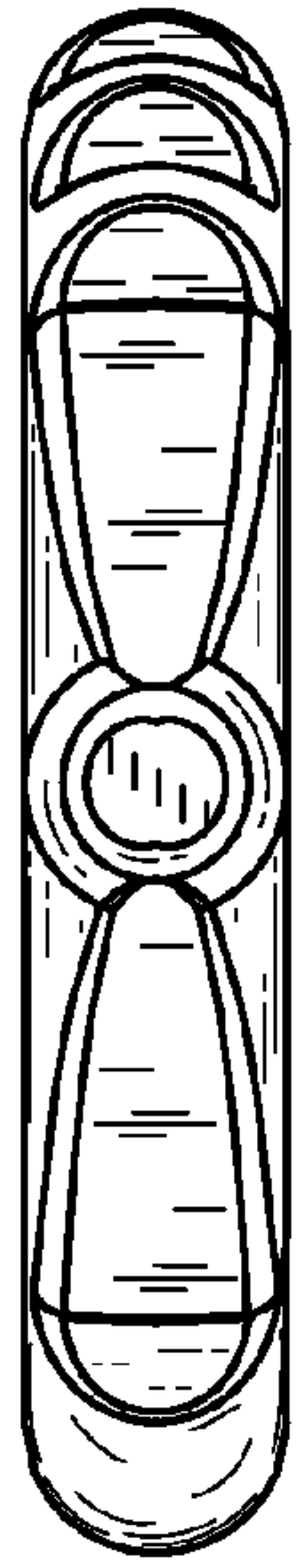


FIG. 4

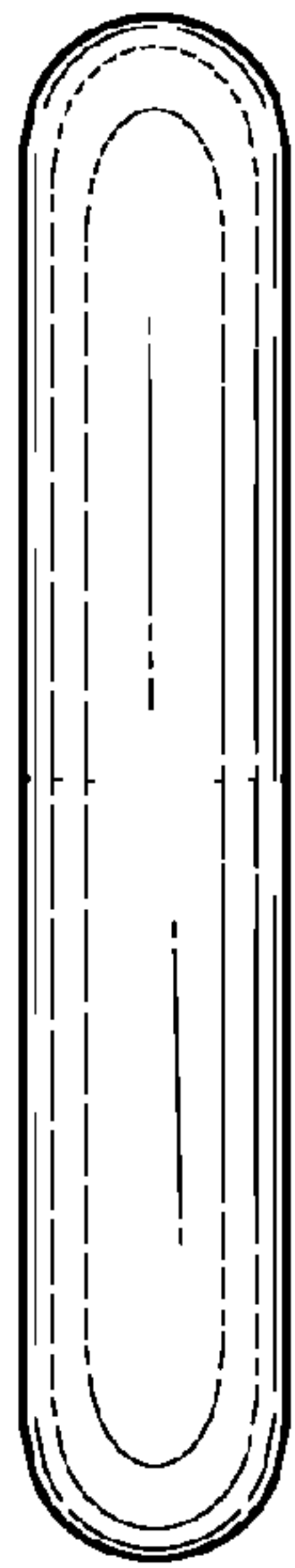


FIG. 5

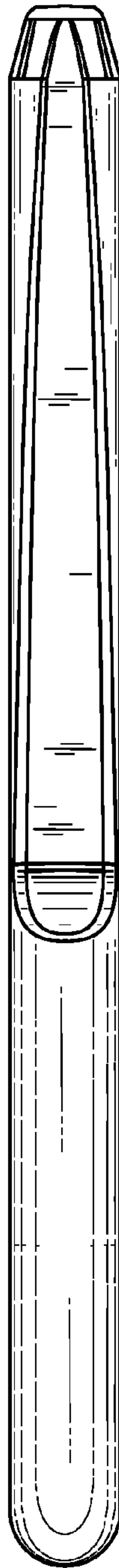


FIG. 6

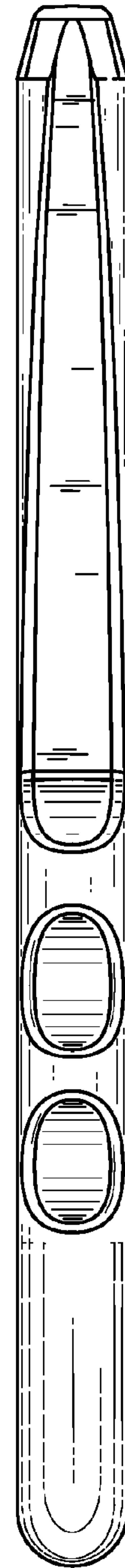


FIG. 7