



US00D676294S

(12) **United States Design Patent**
Tu

(10) **Patent No.:** **US D676,294 S**

(45) **Date of Patent:** **** Feb. 19, 2013**

(54) **BOTTLE HOLDER**

(75) Inventor: **Wen-Chih Tu**, Tainan (TW)

(73) Assignee: **Bei Yu Industrial Co.**, Tainan (TW)

(**) Term: **14 Years**

(21) Appl. No.: **29/392,872**

(22) Filed: **May 27, 2011**

(51) **LOC (9) Cl.** **07-06**

(52) **U.S. Cl.** **D7/704; D7/701; D7/702; D32/58**

(58) **Field of Classification Search** **D7/600.1-600.4,**
D7/601-602, 701-702, 704, 707-708, 637-638,
D7/640-641; D6/458; D32/58; D24/199;
211/70.7, 74, 77

See application file for complete search history.

(56) **References Cited**

U.S. PATENT DOCUMENTS

D182,741 S	*	5/1958	Rennels	D7/706
D195,222 S	*	5/1963	Heiney	D6/450
D245,383 S	*	8/1977	Stanley	D6/467
D271,913 S	*	12/1983	Nanfito et al.	D32/55
D342,191 S	*	12/1993	Cronk	D7/706
D352,906 S	*	11/1994	Gobe	D9/663

D361,224 S	*	8/1995	Stanley	D6/458
D373,492 S	*	9/1996	Stanley	D6/458
D561,541 S	*	2/2008	Stephen et al.	D7/707
D603,657 S	*	11/2009	Tu	D7/622

* cited by examiner

Primary Examiner — Ian Simmons

Assistant Examiner — Dana L Meyrow

(74) *Attorney, Agent, or Firm* — Rosenberg, Klein & Lee

(57) **CLAIM**

The ornamental design for a bottle holder, as shown and described.

DESCRIPTION

FIG. 1 is a perspective view of a bottle holder showing my new design;

FIG. 2 is a front elevational view thereof;

FIG. 3 is a rear elevational view thereof;

FIG. 4 is a left side elevational view thereof;

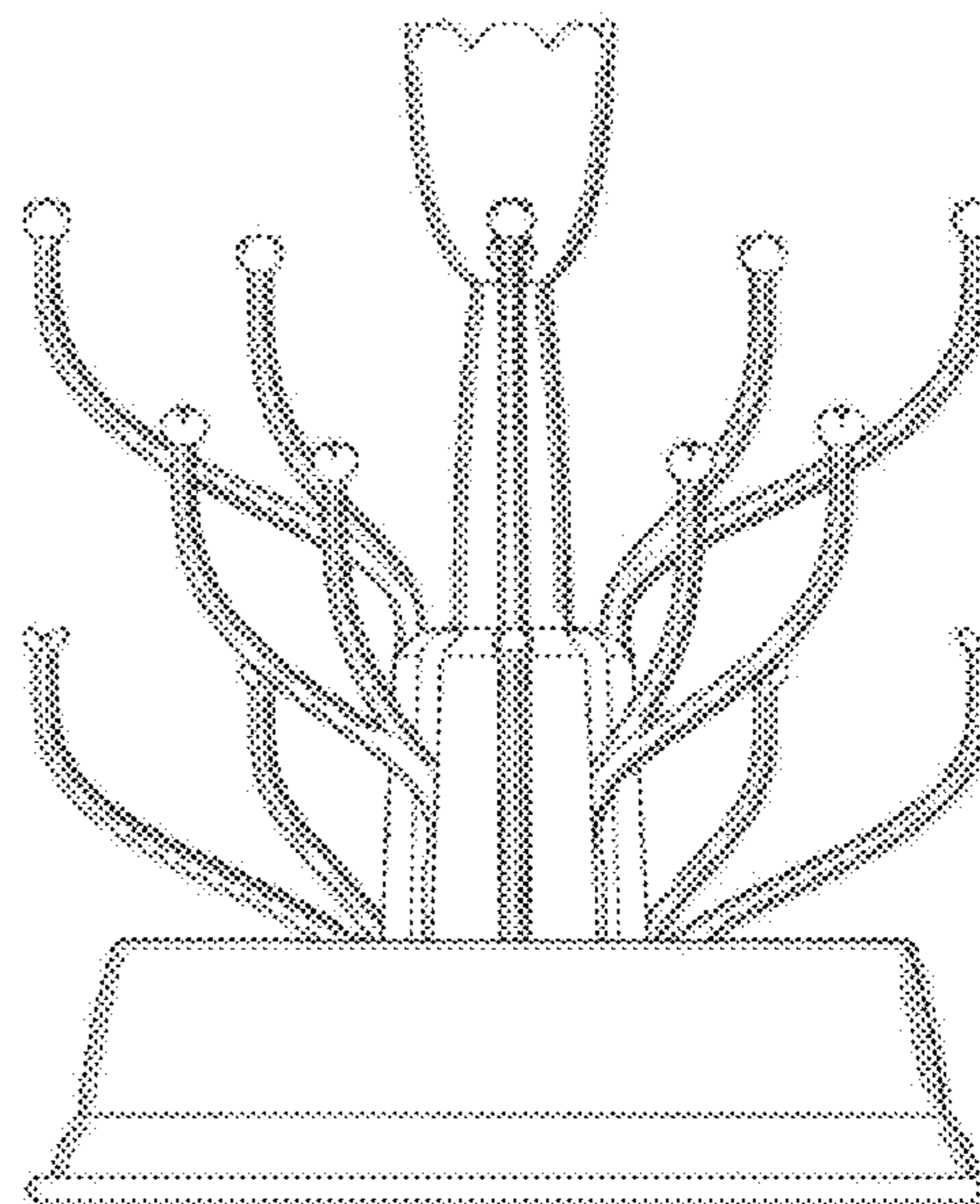
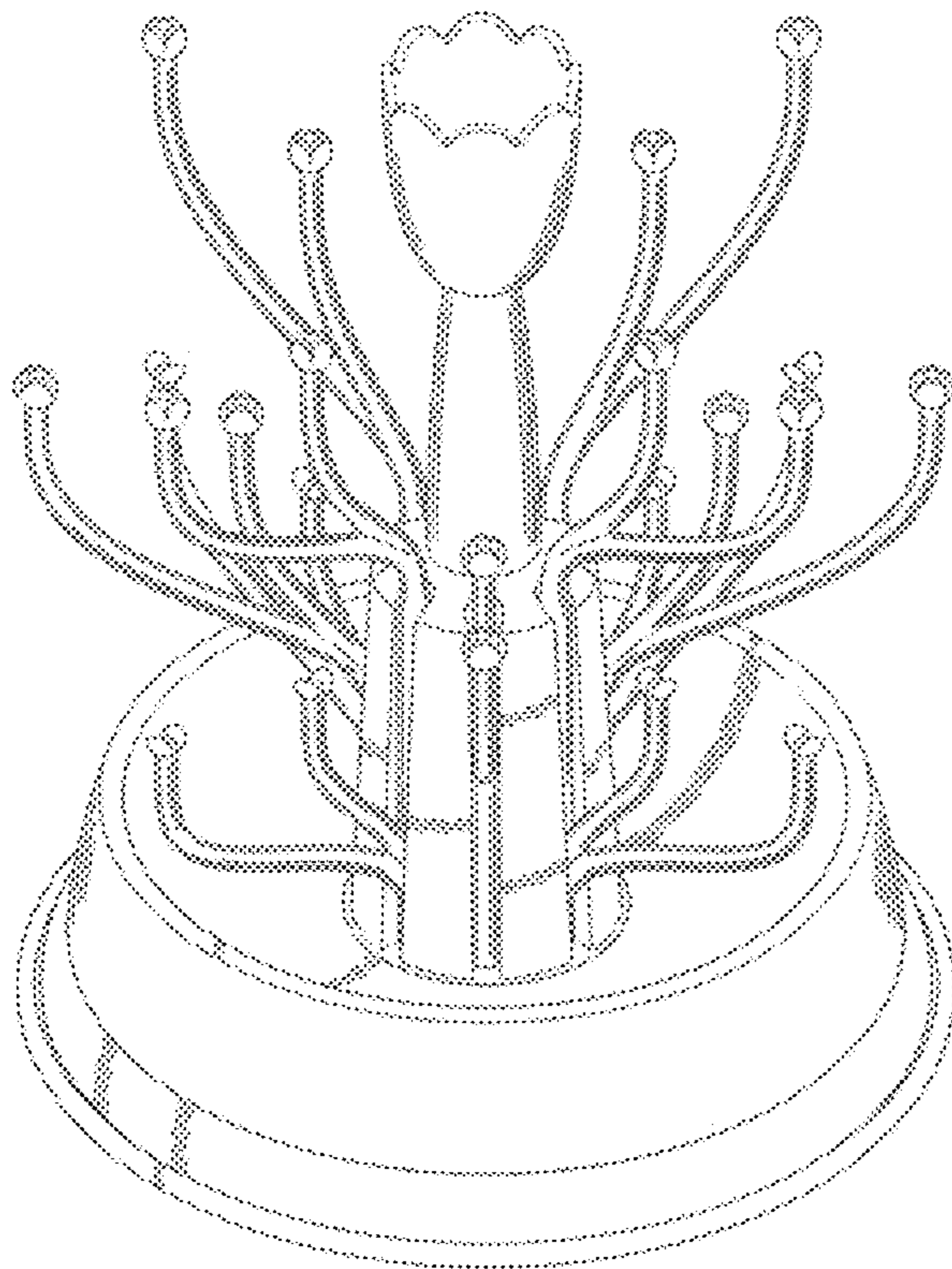
FIG. 5 is a right side elevational view thereof;

FIG. 6 is a top plan view thereof; and,

FIG. 7 is a bottom plan view thereof.

The broken lines in the drawings illustrate the portions of the design that form no part of the claim.

1 Claim, 7 Drawing Sheets



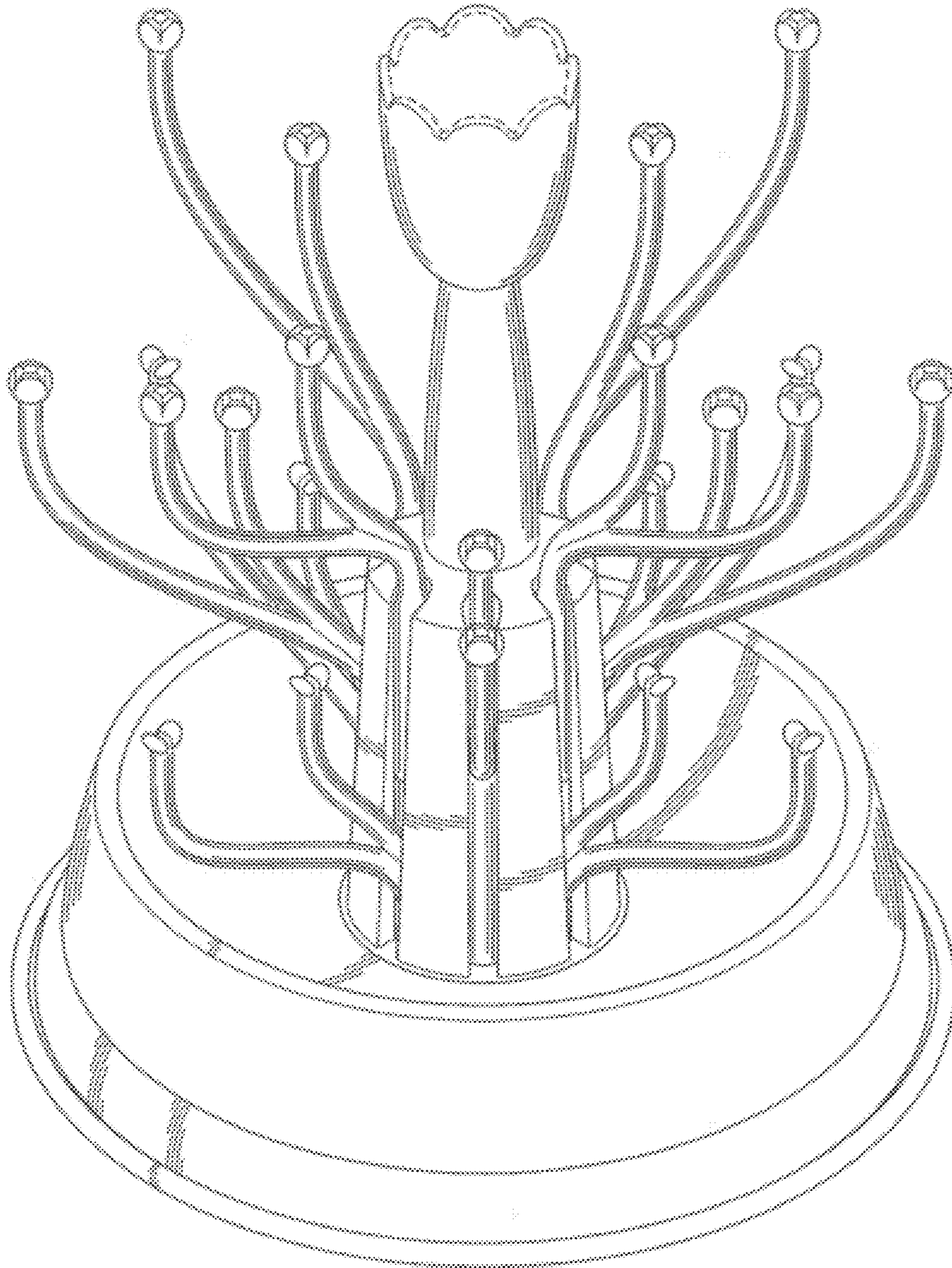


FIG. 1

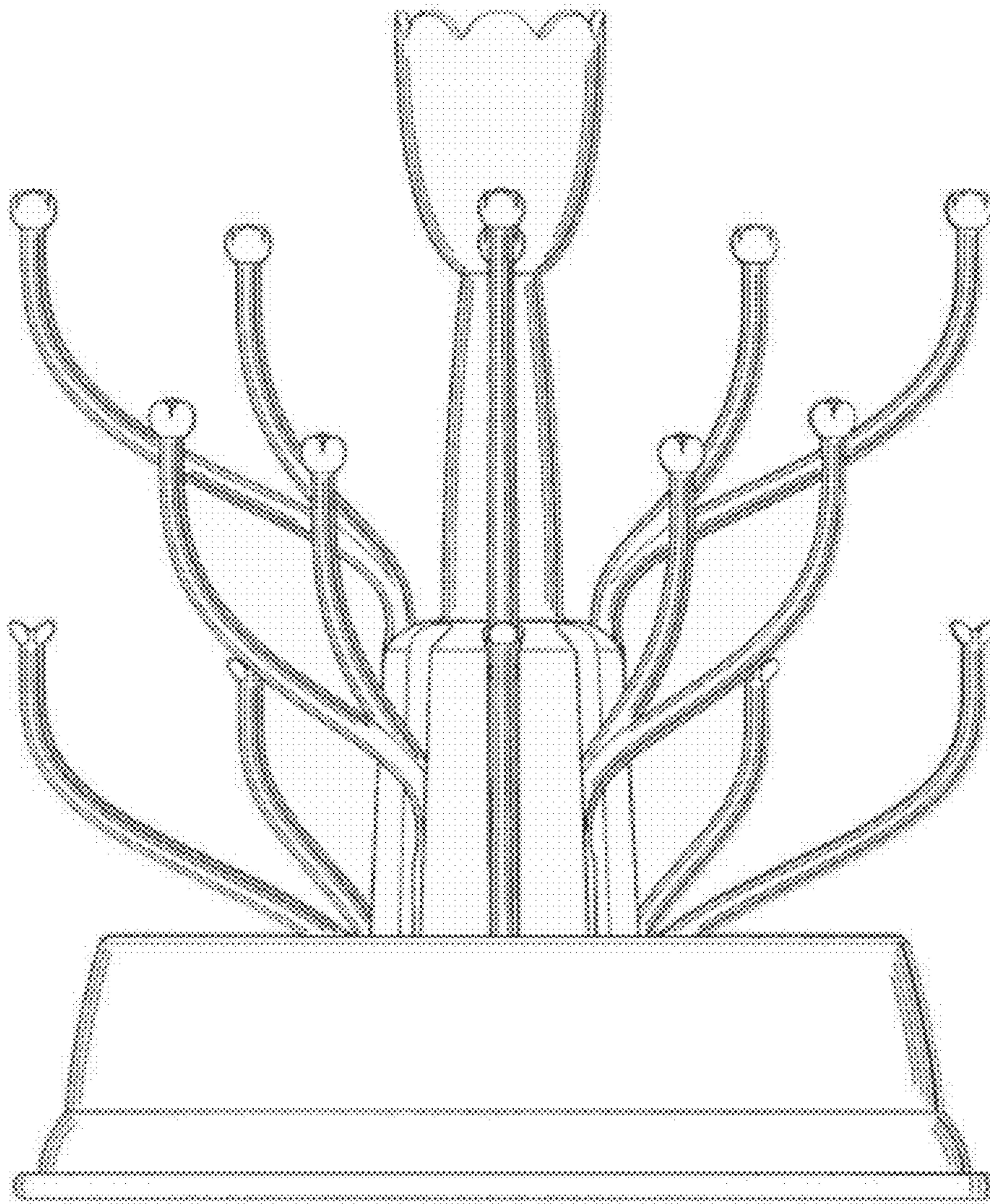


FIG. 2

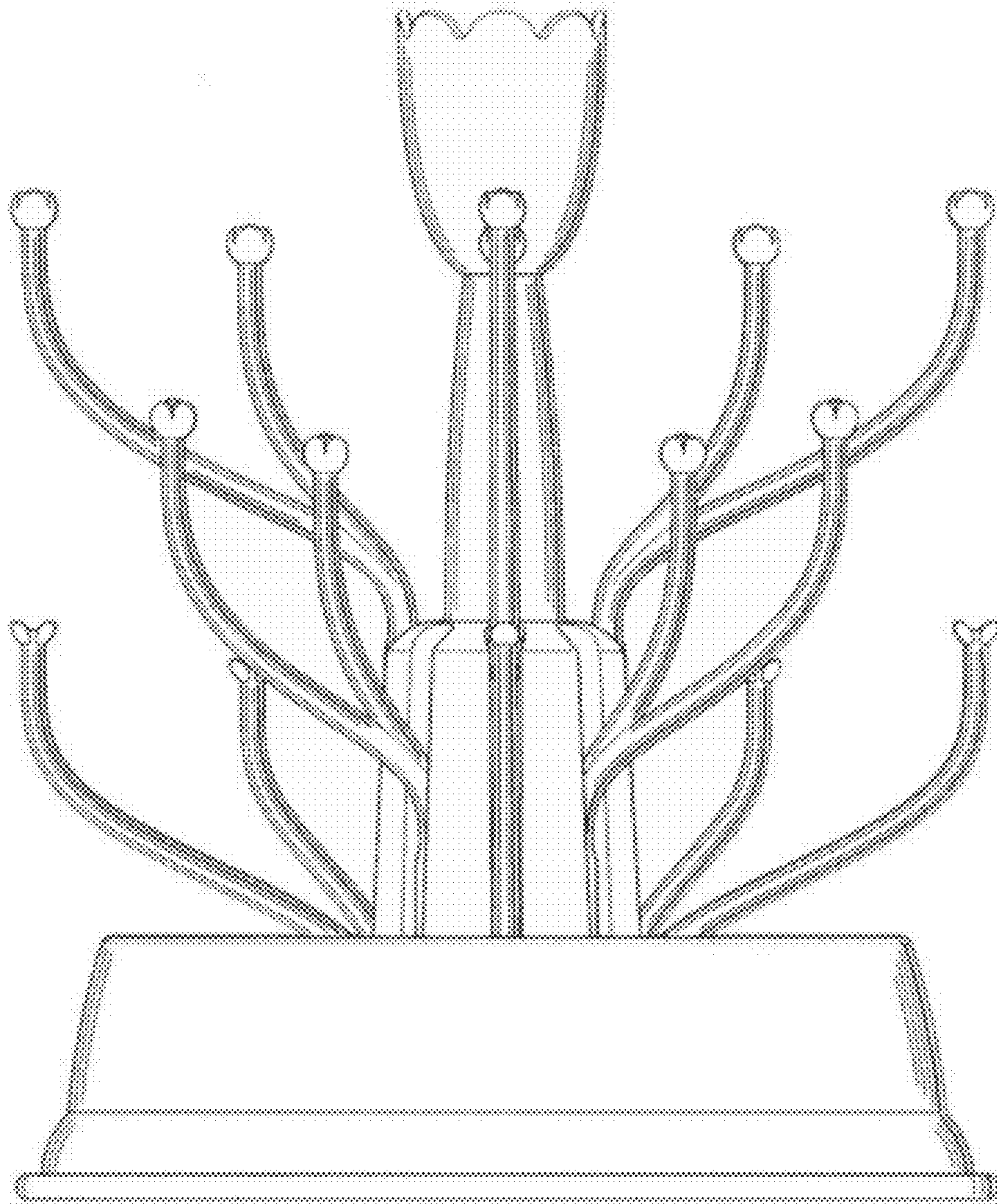


FIG. 3

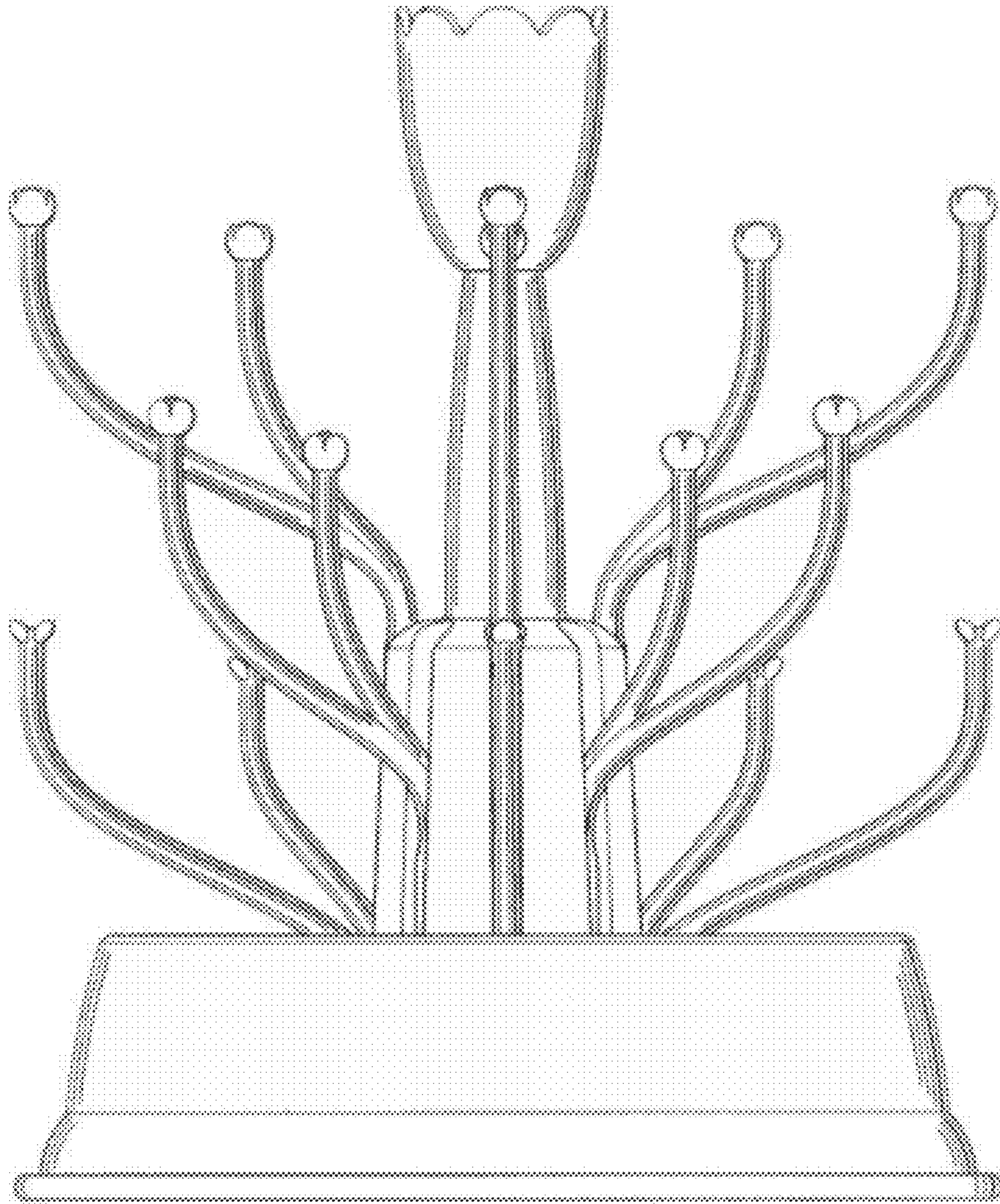


FIG. 4

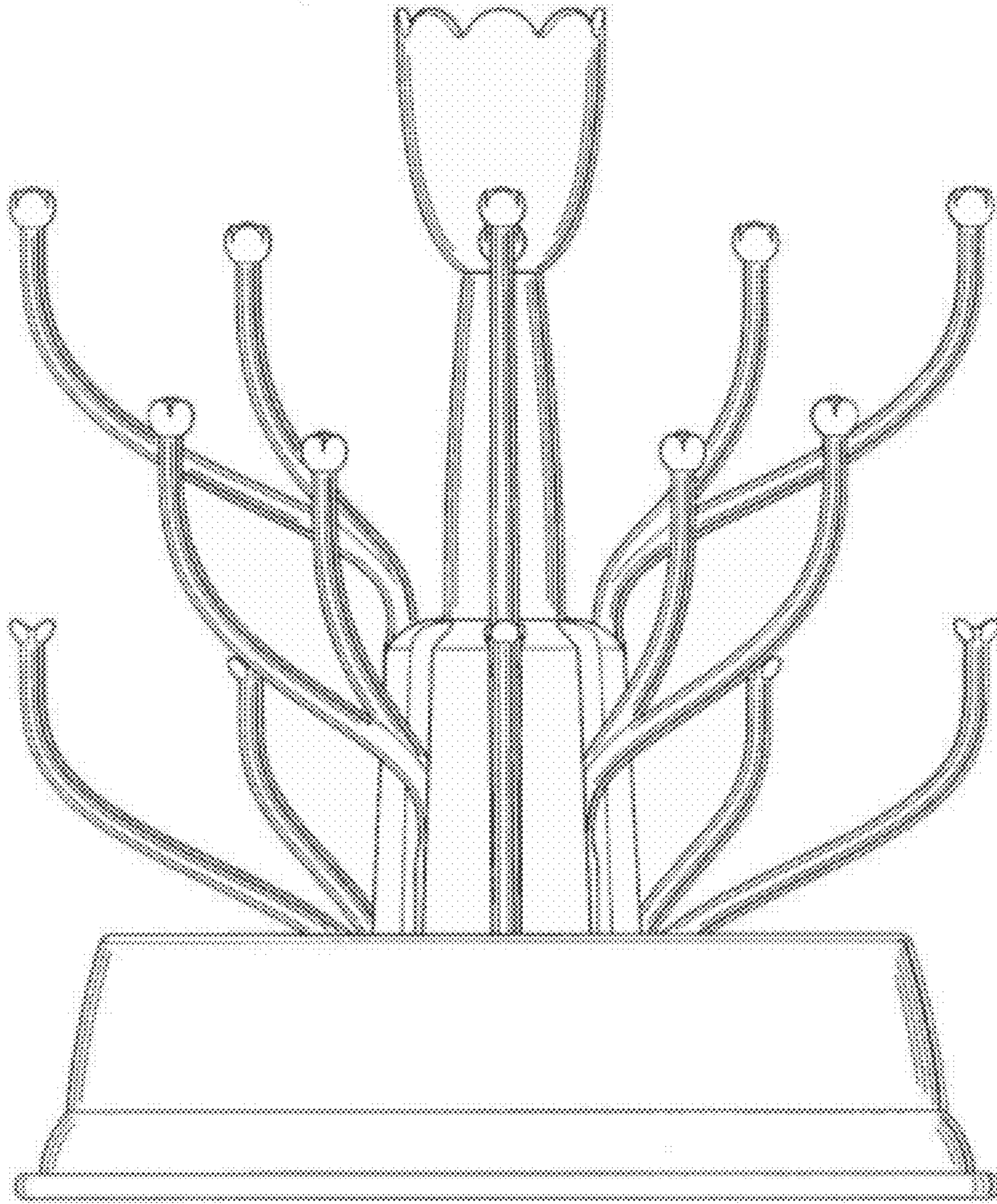


FIG. 5

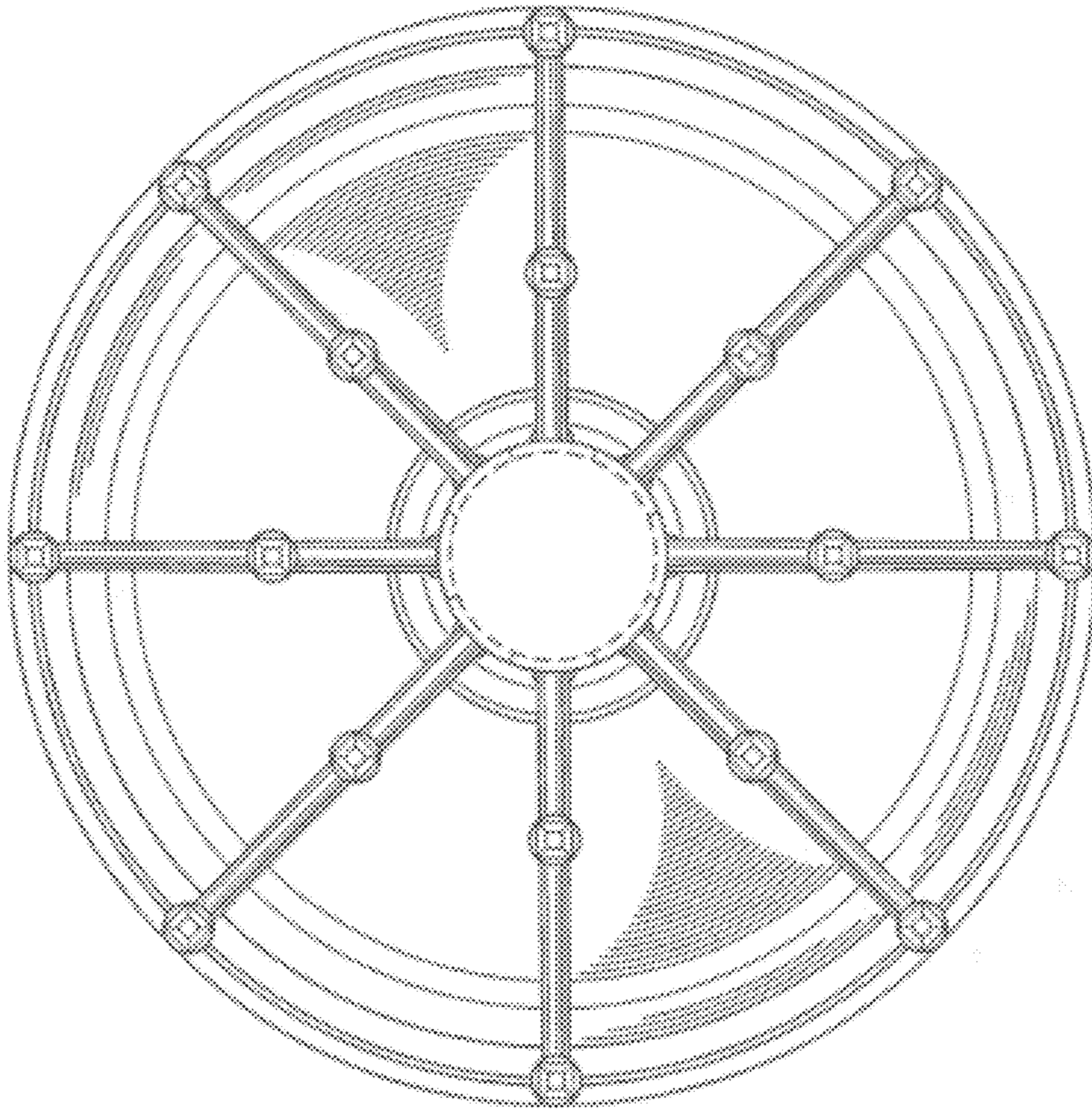


FIG. 6

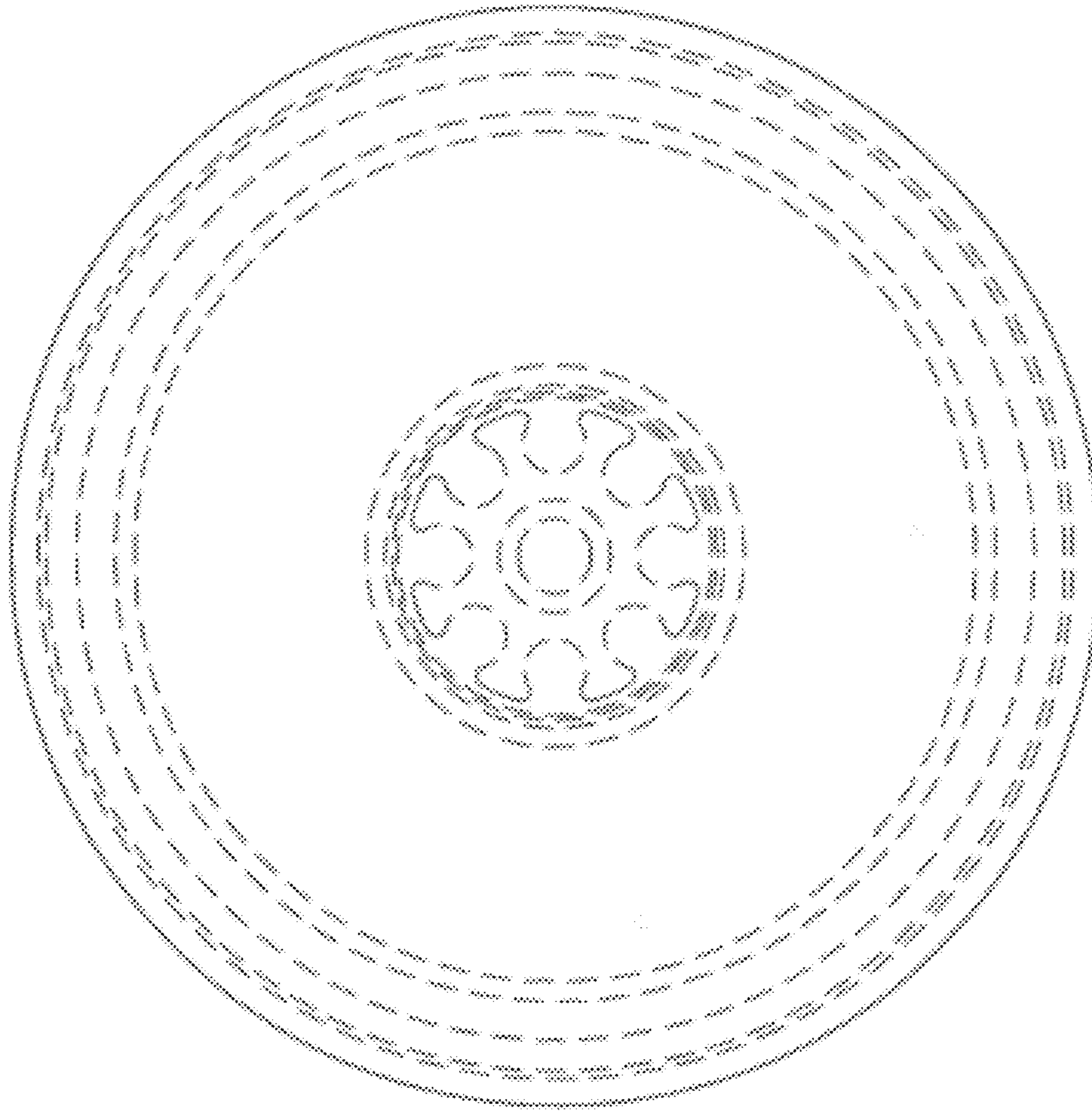


FIG. 7