



US00D676293S

(12) **United States Design Patent**
Cetera

(10) **Patent No.:** **US D676,293 S**

(45) **Date of Patent:** **** Feb. 19, 2013**

(54) **POWDER FUNNEL**

(75) Inventor: **Carl Cetera**, Westfield, NJ (US)

(73) Assignee: **Cotapaxi Custom Design and Manufacturing**, Carlstadt, NJ (US)

(**) Term: **14 Years**

(21) Appl. No.: **29/395,576**

(22) Filed: **Feb. 21, 2012**

Related U.S. Application Data

(63) Continuation-in-part of application No. 29/374,976, filed on Nov. 2, 2011, now Pat. No. Des. 670,141.

(51) **LOC (9) Cl.** **07-99**

(52) **U.S. Cl.** **D7/700; D7/691**

(58) **Field of Classification Search** D7/691,
D7/669, 629, 700; D9/434, 435, 436, 503,
D9/536; D15/152, 150; D23/200; 141/199-205,
141/95, 98, 297-300, 331-345, 384, 386;
215/316, 321, 329, 43

See application file for complete search history.

(56) **References Cited**

U.S. PATENT DOCUMENTS

D266,400 S * 10/1982 Shatz D15/152
4,706,720 A * 11/1987 Pattison et al. 141/327
5,535,793 A * 7/1996 Tantre 141/337

D415,552 S * 10/1999 Malorni D7/700
6,035,907 A * 3/2000 DeCoster 141/331
6,155,315 A * 12/2000 Peterson 141/331
6,425,424 B1 * 7/2002 Ellis Calvo et al. 141/331
D560,105 S * 1/2008 McKenzie D7/700
D562,091 S * 2/2008 Ben Shlomo et al. D7/700

* cited by examiner

Primary Examiner — Terry Wallace

(74) *Attorney, Agent, or Firm* — Steven E. Shapiro

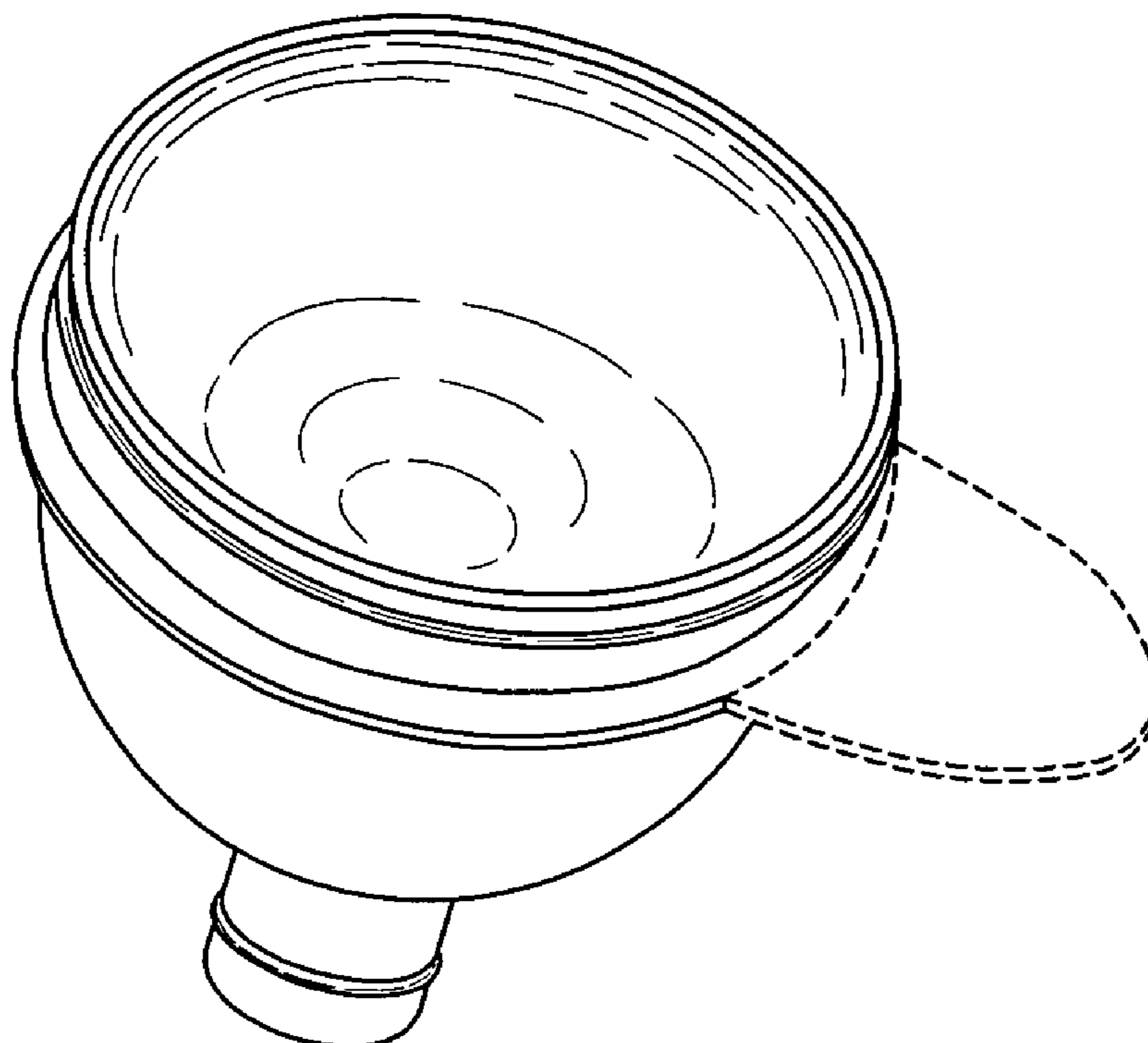
(57) **CLAIM**

The ornamental design for a powder funnel, as shown and described.

DESCRIPTION

FIG. 1 is a top left perspective view of a powder funnel;
FIG. 2 is a bottom right perspective view of the powder funnel;
FIG. 3 is a top, right side view of the powder funnel;
FIG. 4 is a top, rear perspective view of the powder funnel;
FIG. 5 is a front view of the powder funnel;
FIG. 6 is a rear view of the powder funnel;
FIG. 7 is a right side view of powder funnel;
FIG. 8 is a left side view of the powder funnel;
FIG. 9 is a top plan view of the powder funnel; and,
FIG. 10 is a bottom plan view of the powder funnel.

1 Claim, 10 Drawing Sheets



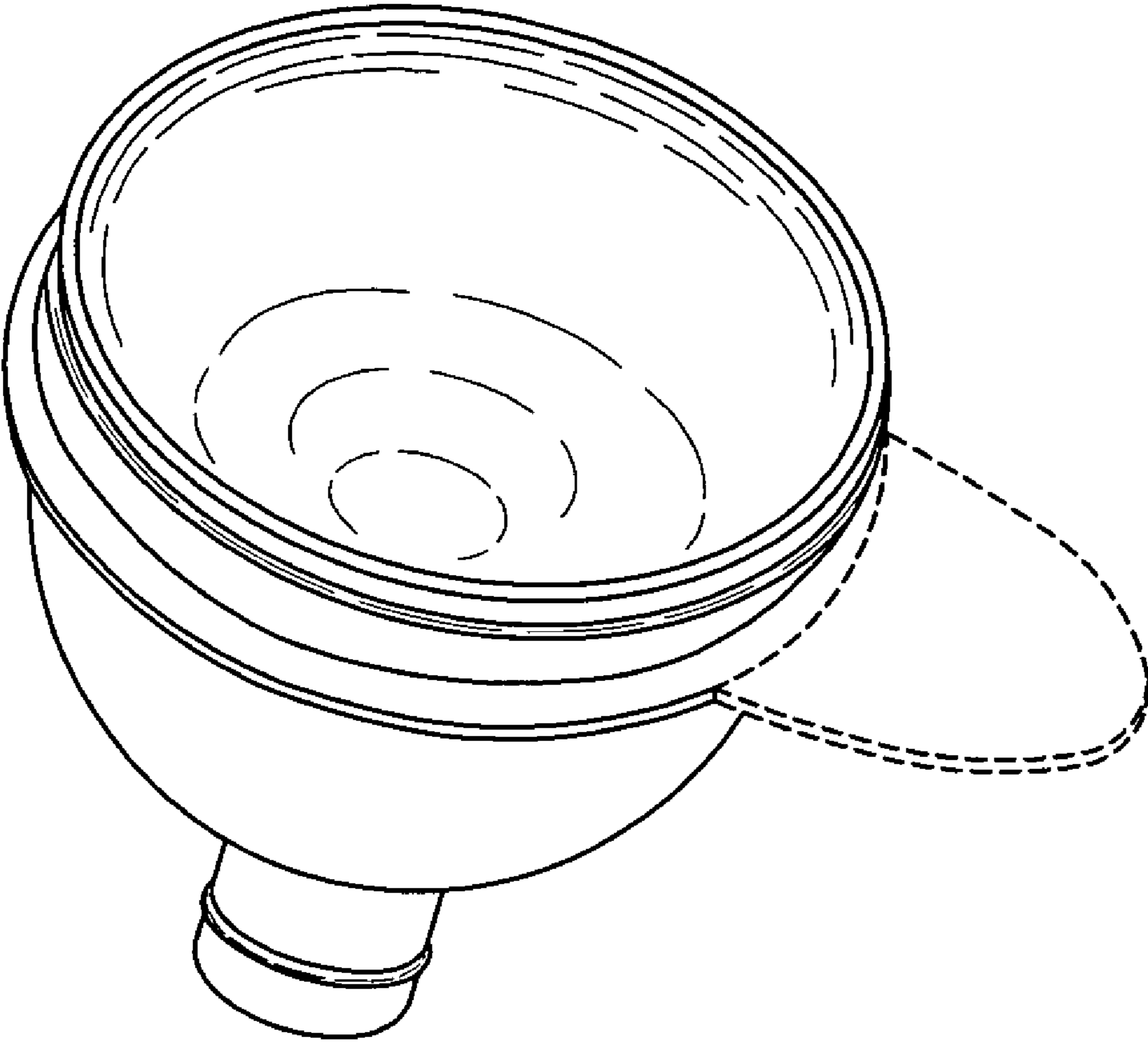


FIG. 1

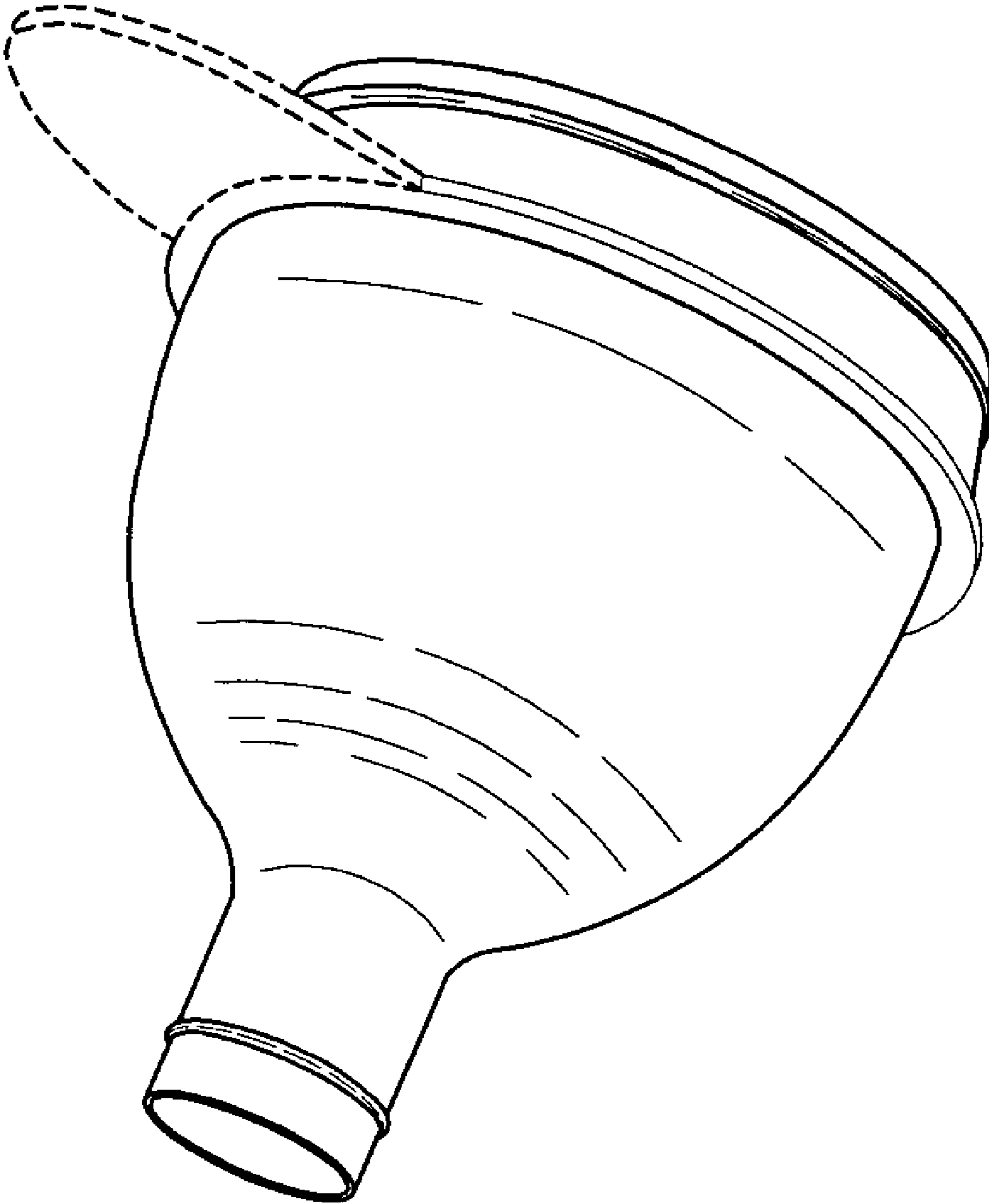


FIG. 2

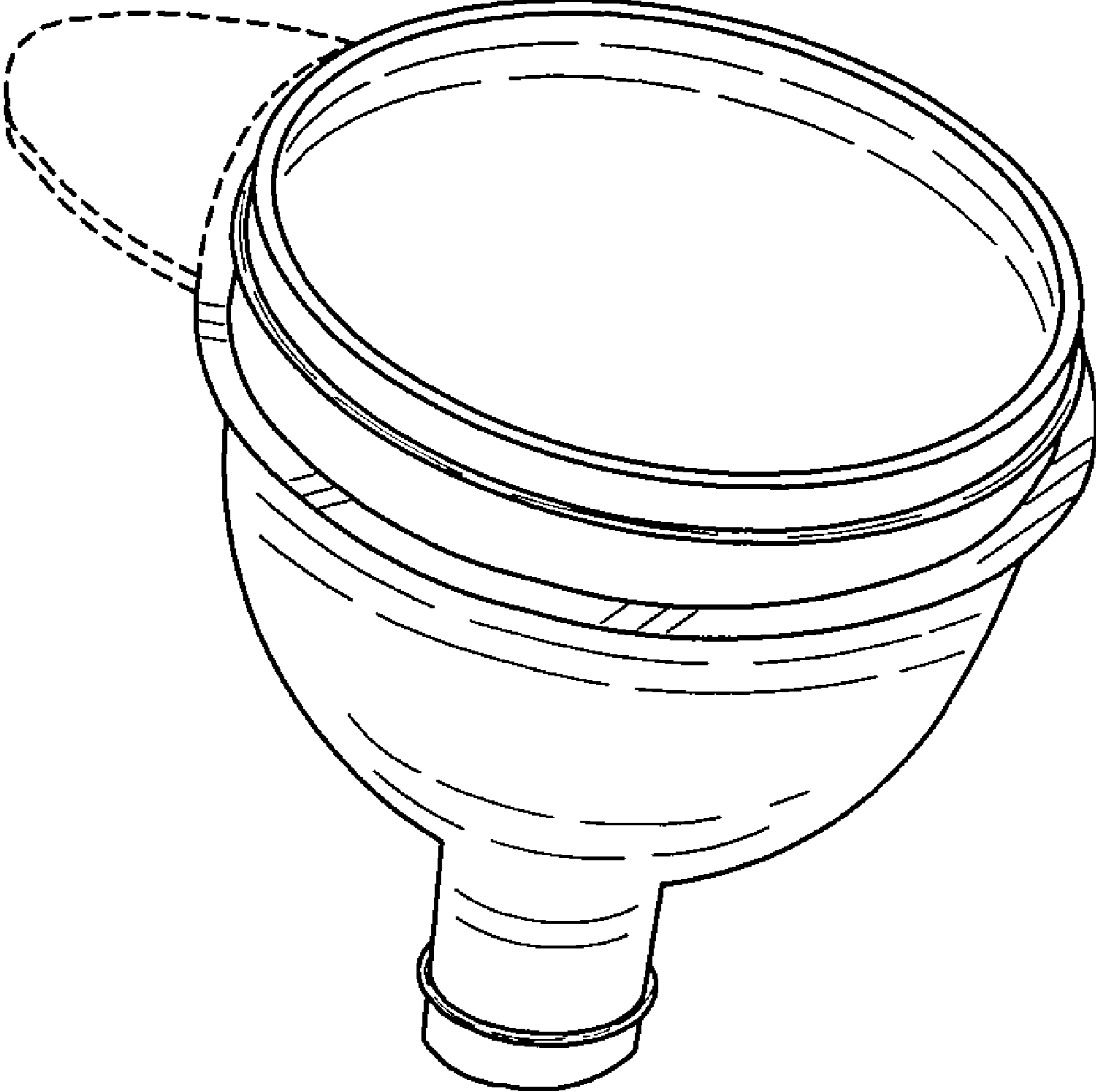


FIG. 3

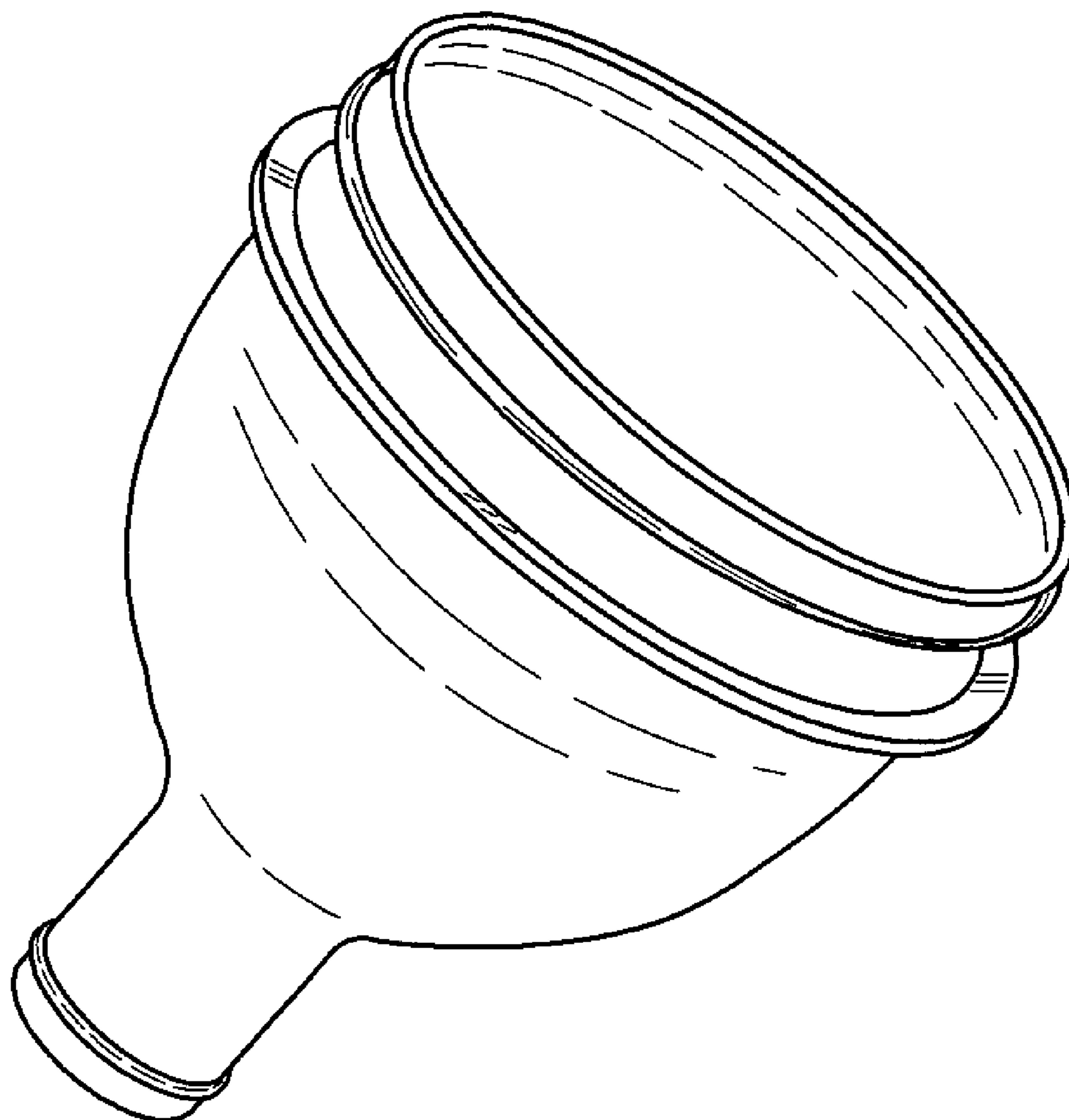


FIG. 4

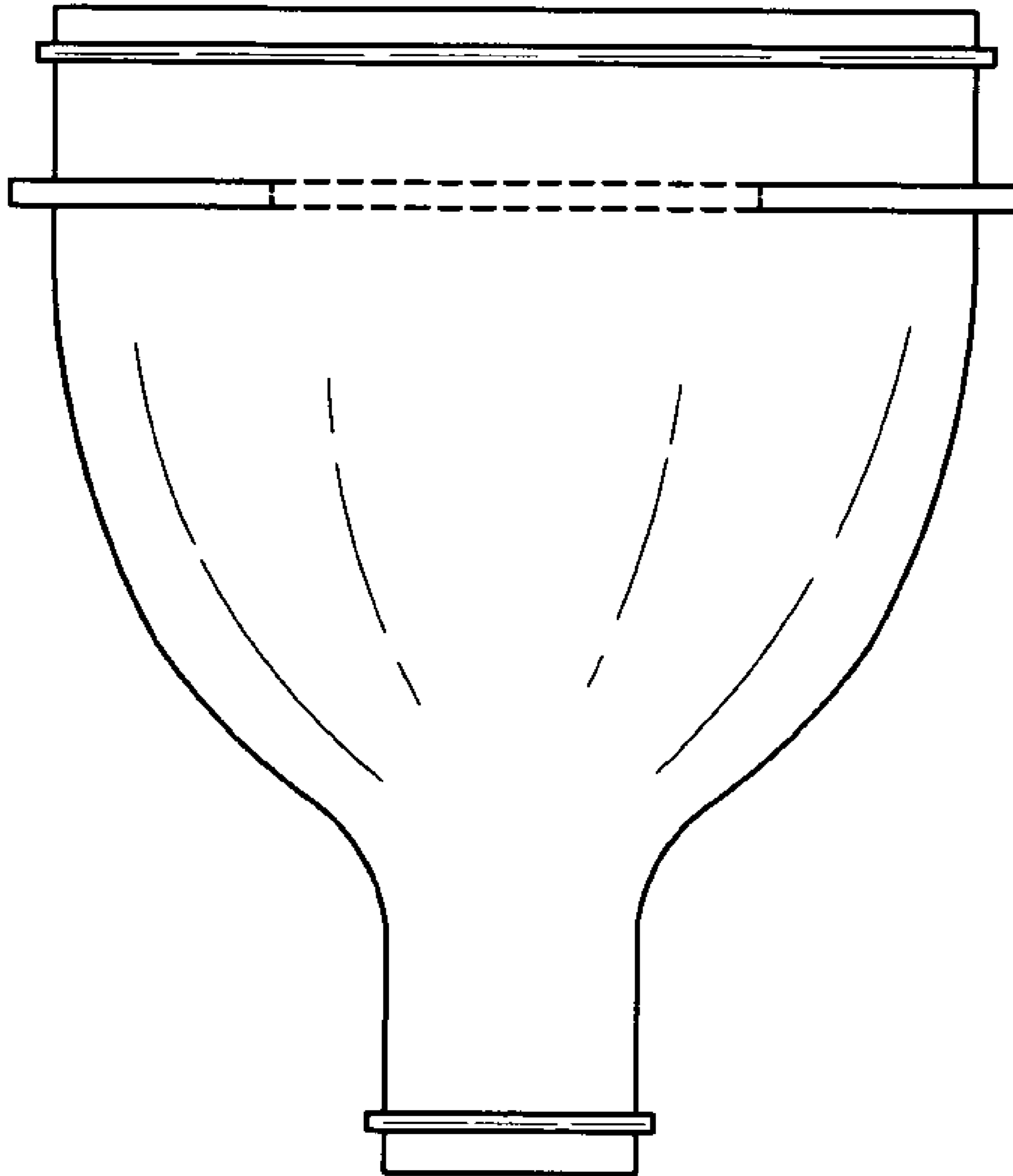


FIG. 5

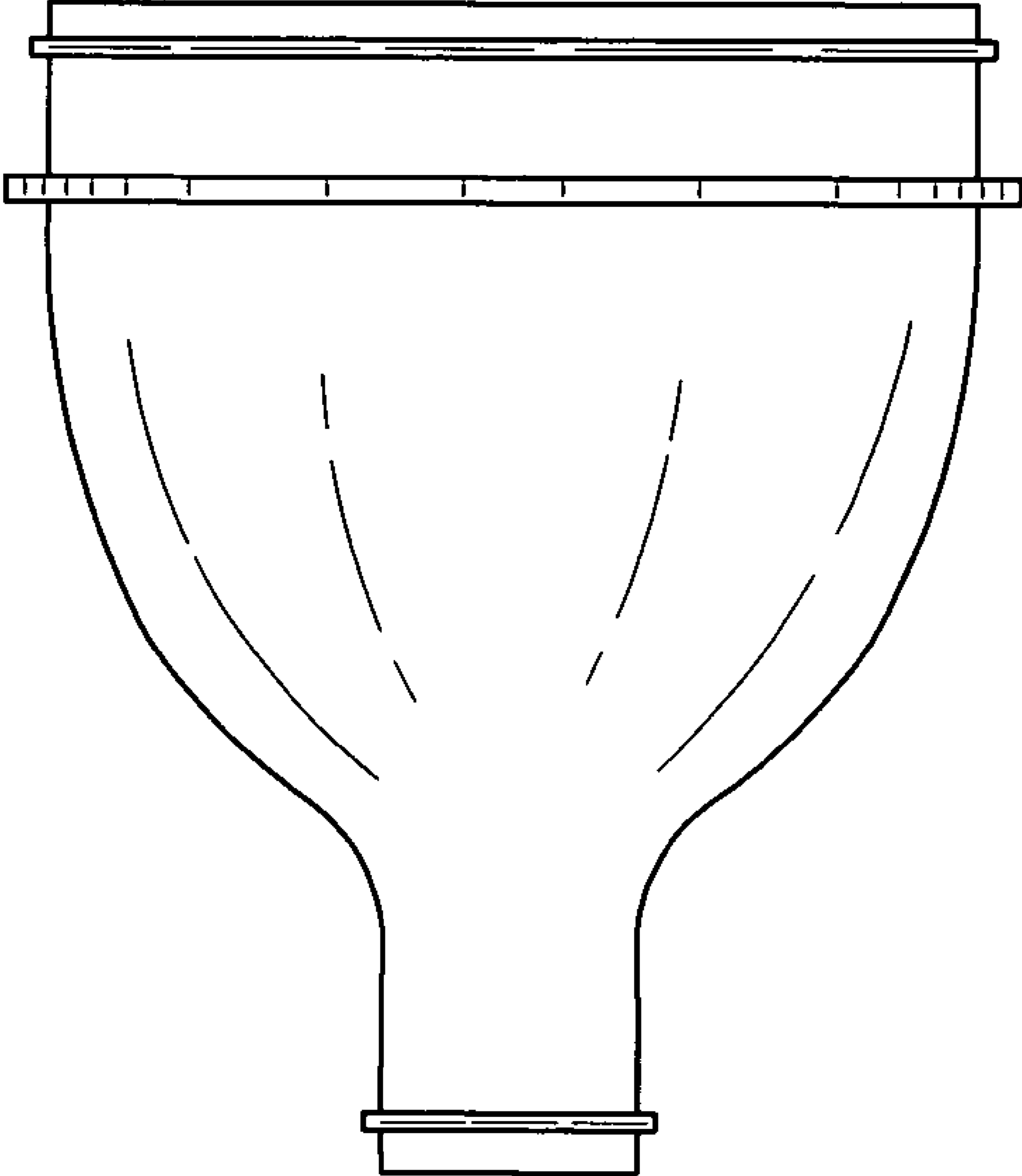


FIG. 6

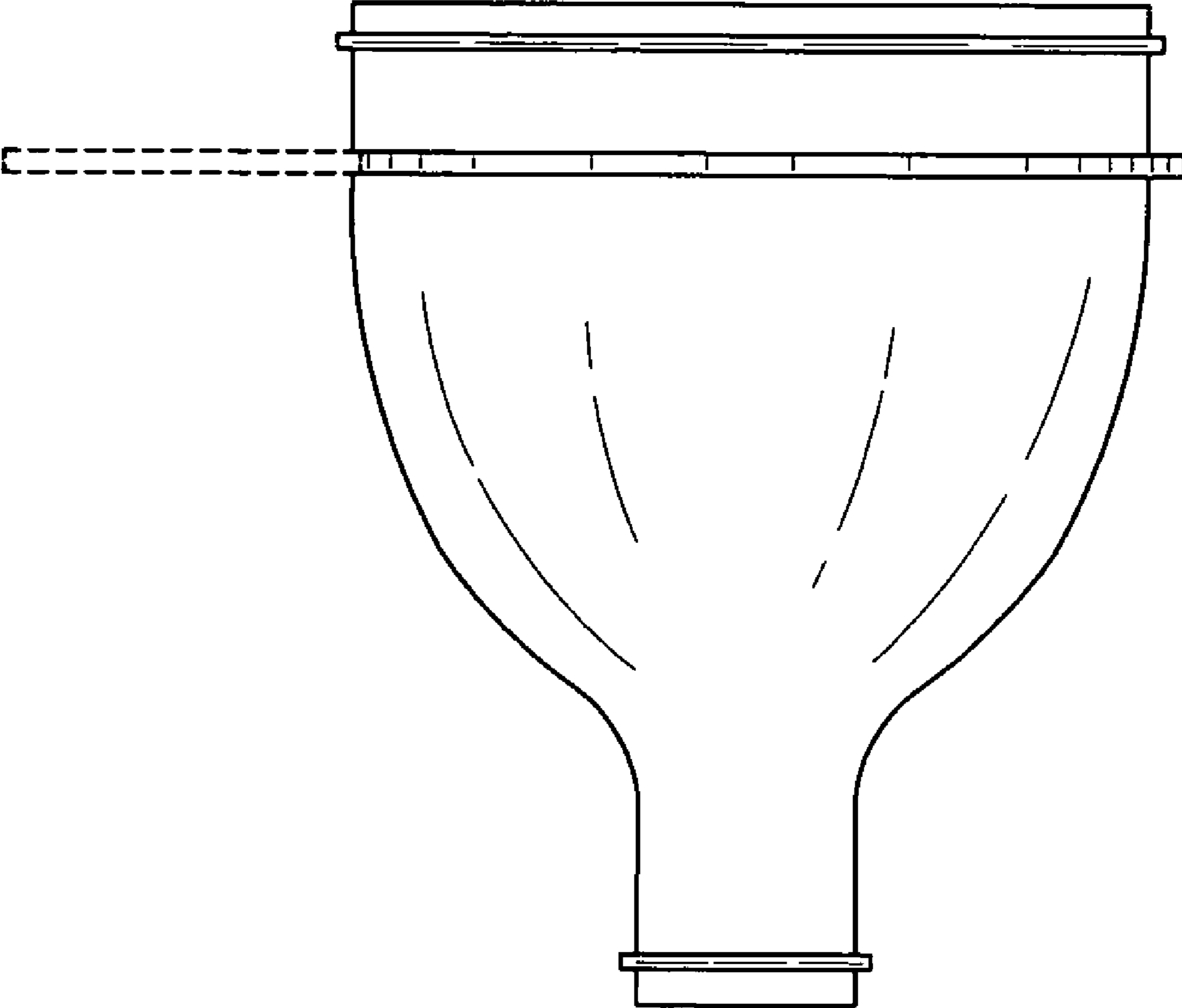


FIG. 7

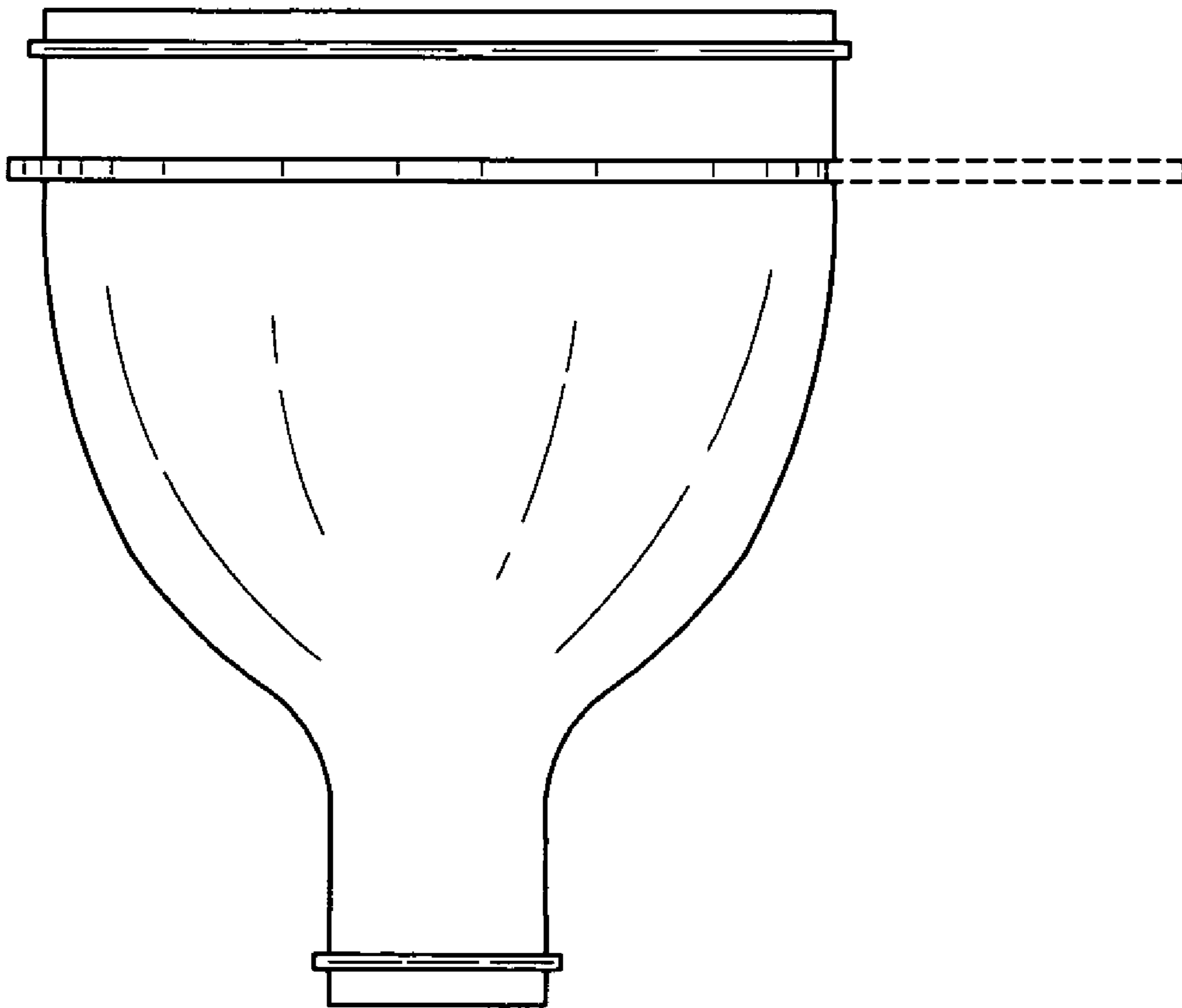


FIG. 8

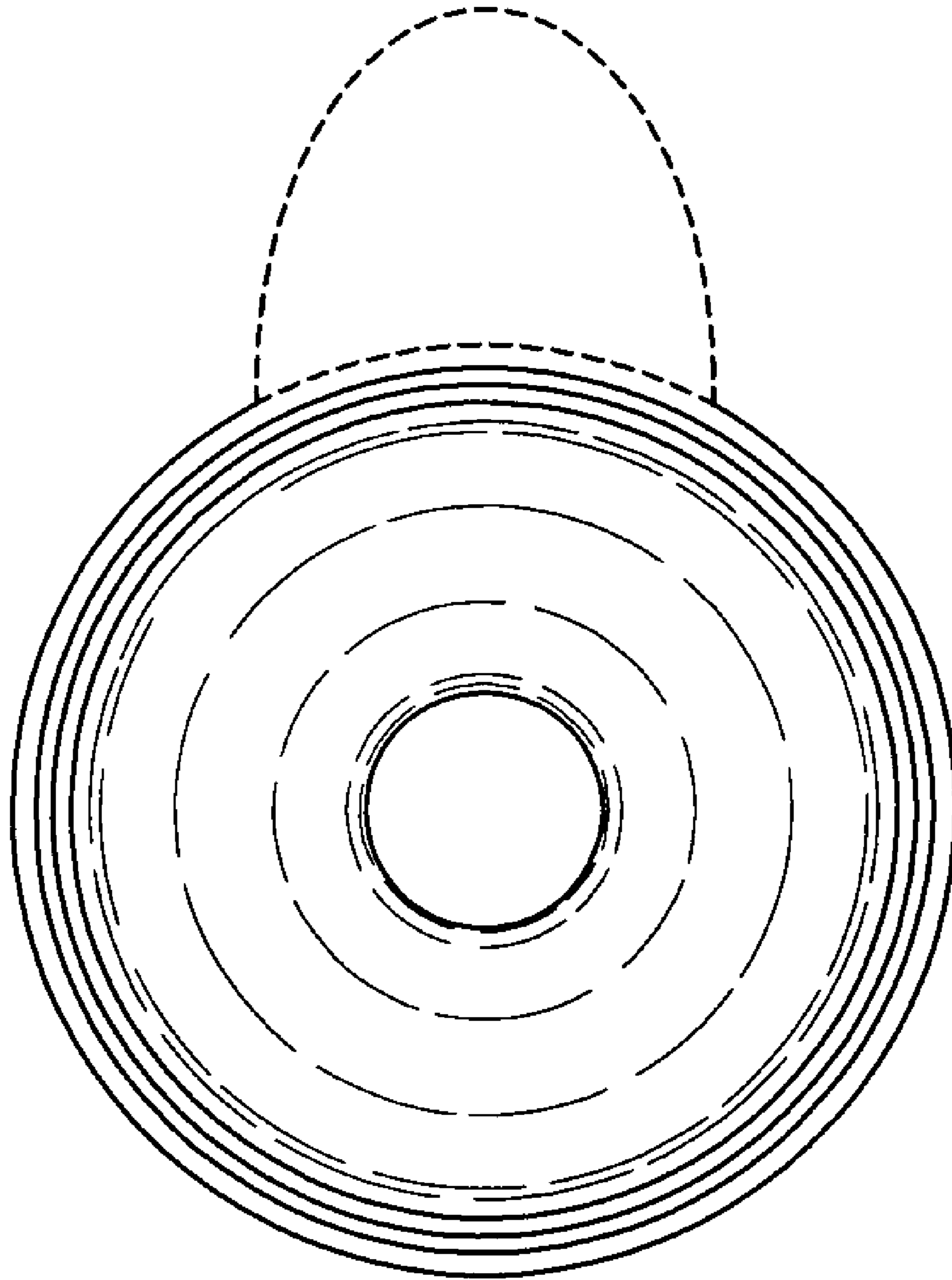


FIG. 9

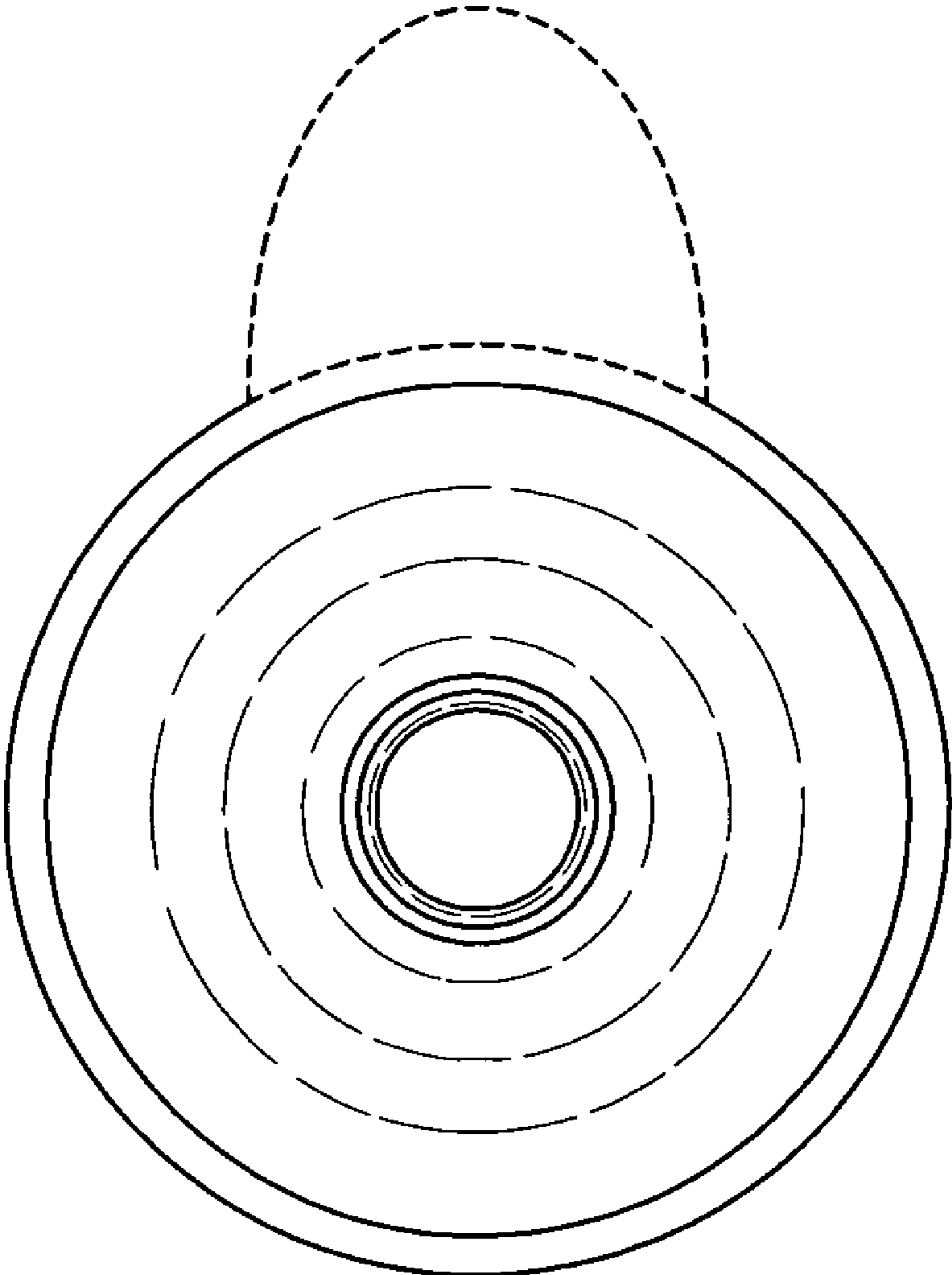


FIG. 10