



US00D676292S

(12) **United States Design Patent**  
**Cetera**

(10) **Patent No.:** **US D676,292 S**

(45) **Date of Patent:** **\*\* Feb. 19, 2013**

(54) **FUNNEL**

(75) **Inventor:** **Carl Cetera**, Westfield, NJ (US)

(73) **Assignee:** **Cotapaxi Custom Design and Manufacturing LLC**, Carlstadt, NJ (US)

(\*\*) **Term:** **14 Years**

(21) **Appl. No.:** **29/395,248**

(22) **Filed:** **Dec. 23, 2011**

**Related U.S. Application Data**

(63) Continuation-in-part of application No. 29/374,978, filed on Nov. 2, 2011, now Pat. No. Des. 670,143.

(51) **LOC (9) Cl.** ..... **07-99**

(52) **U.S. Cl.** ..... **D7/700**

(58) **Field of Classification Search** ..... D7/691,  
D7/669, 629, 700; D9/434, 435, 436, 503,  
D9/536; D15/152, 150; D23/200; 141/199-205,  
141/95, 98, 297-300, 331-345, 384, 386;  
215/316, 321, 329, 43

See application file for complete search history.

(56) **References Cited**

U.S. PATENT DOCUMENTS

D266,400	S	*	10/1982	Shatz	.....	D15/152
4,706,720	A	*	11/1987	Pattison et al.	.....	141/327
5,535,793	A	*	7/1996	Tantre	.....	141/337
D415,552	S	*	10/1999	Malorni	.....	D7/700
6,035,907	A	*	3/2000	DeCoster	.....	141/331
6,155,315	A	*	12/2000	Peterson	.....	141/331
6,425,424	B1	*	7/2002	Ellis Calvo et al.	.....	141/331
D560,105	S	*	1/2008	McKenzie	.....	D7/700
D562,091	S	*	2/2008	Ben Shlomo et al.	.....	D7/700

\* cited by examiner

*Primary Examiner* — Terry Wallace

(74) *Attorney, Agent, or Firm* — Steven E. Shapiro

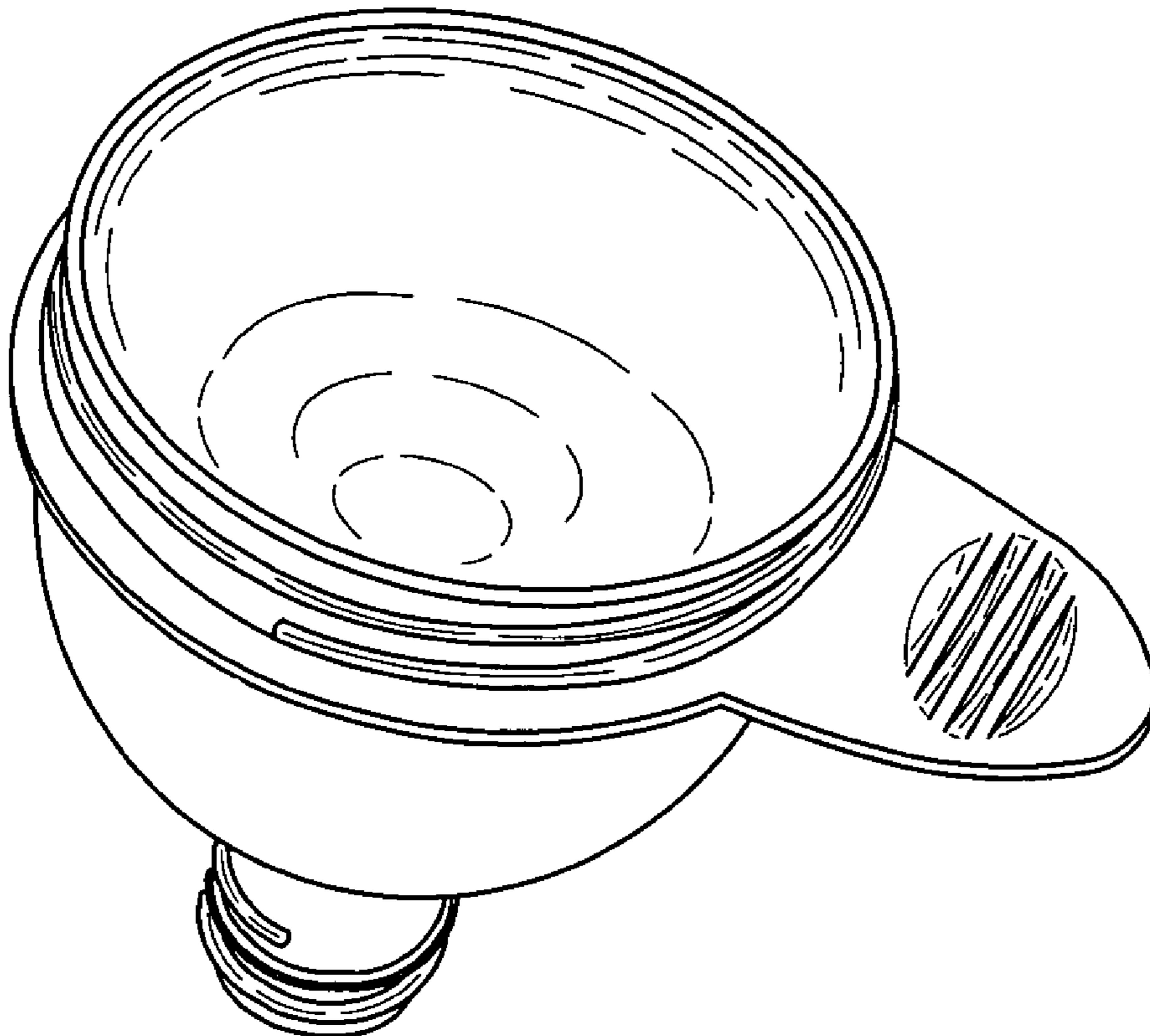
(57) **CLAIM**

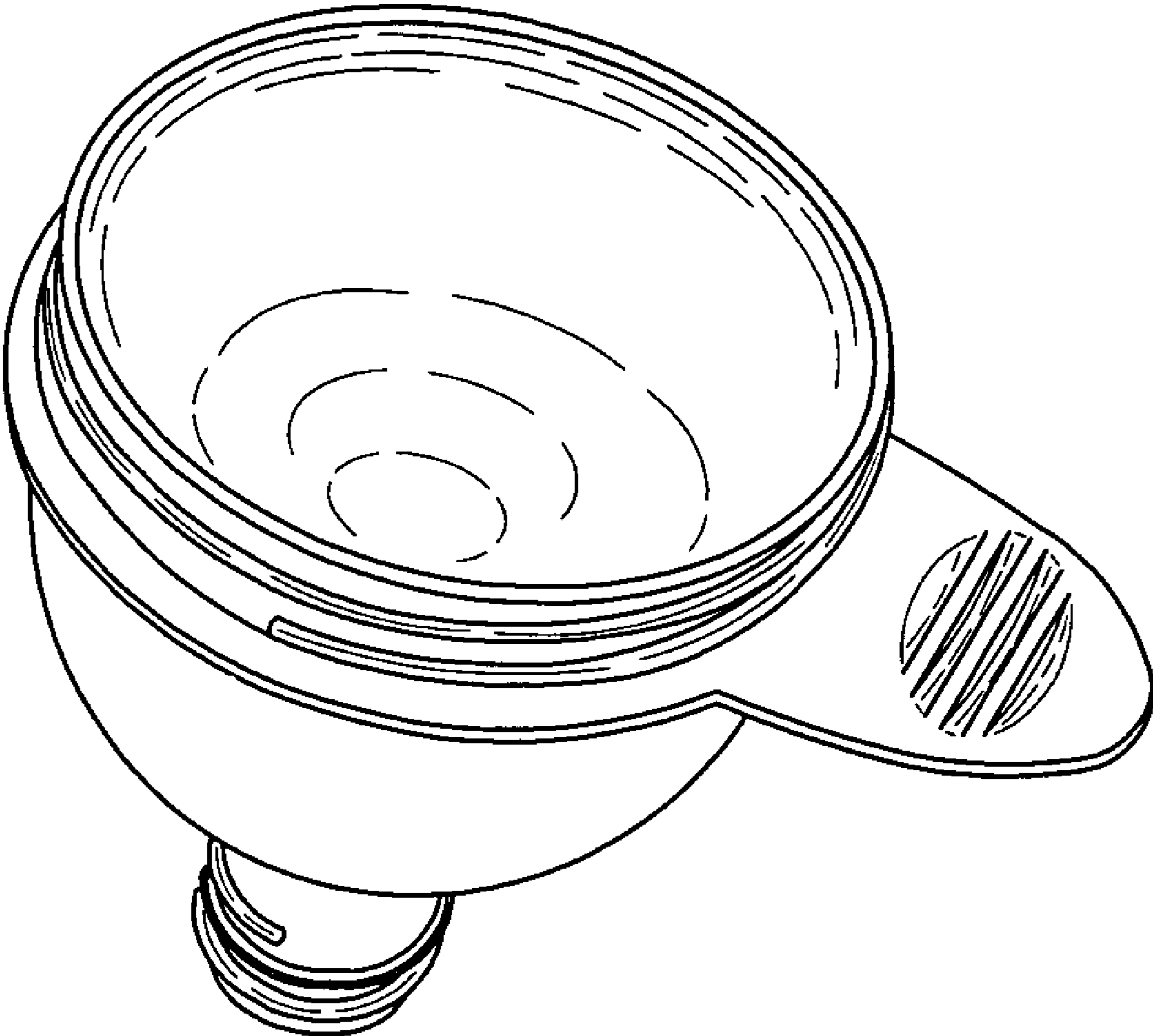
The ornamental design for a funnel, as shown and described.

**DESCRIPTION**

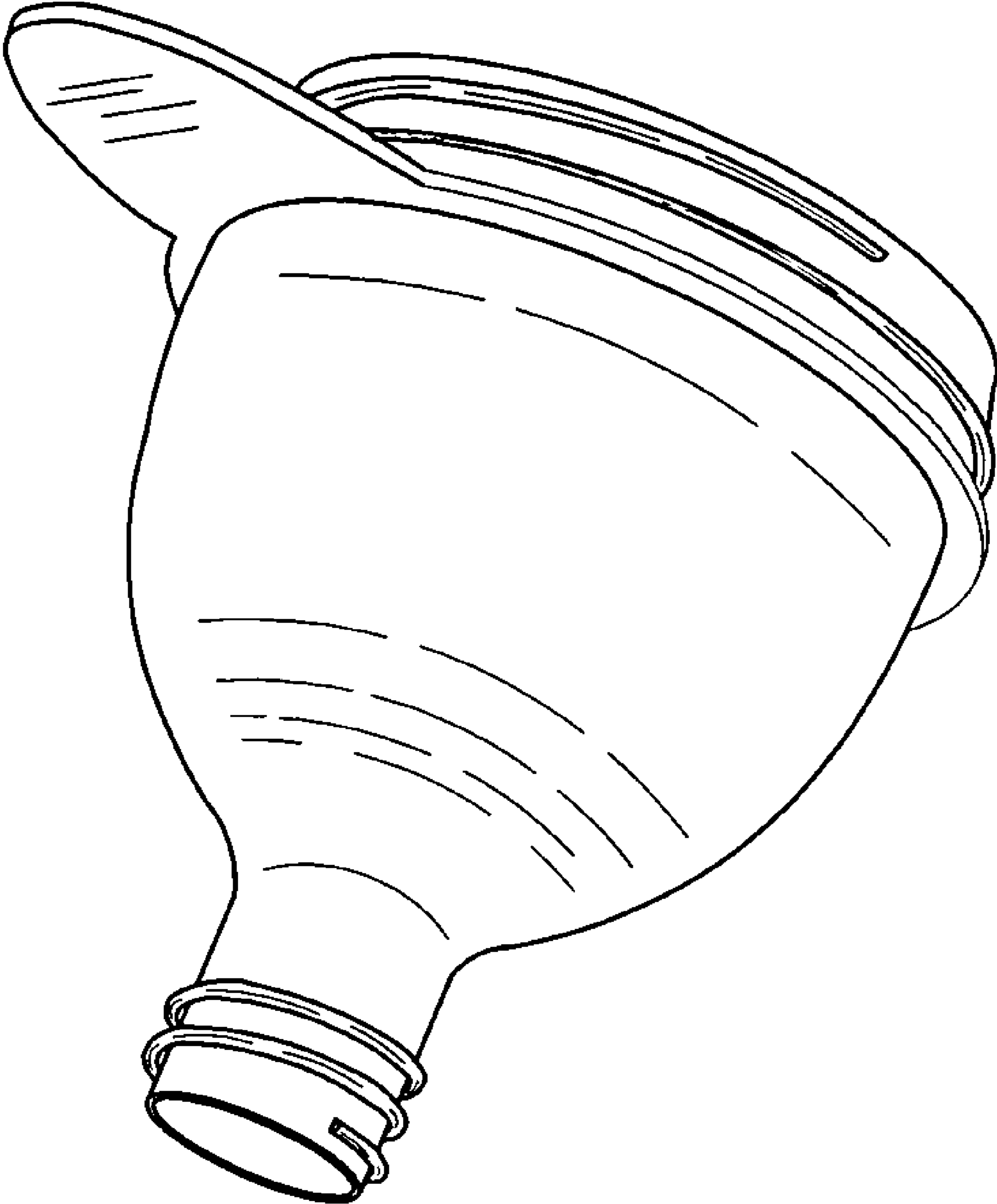
FIG. 1 is a top, front perspective view of a funnel;  
FIG. 2 is a bottom, rear perspective view of the funnel;  
FIG. 3 is a top, rear perspective view of the funnel;  
FIG. 4 is a top, left side perspective view of the funnel;  
FIG. 5 is a right side view of the funnel;  
FIG. 6 is a left side view of the funnel;  
FIG. 7 is a rear view of the funnel;  
FIG. 8 is a front view of funnel;  
FIG. 9 is a top plan view of the funnel; and,  
FIG. 10 is a bottom plan view of the funnel.

**1 Claim, 10 Drawing Sheets**





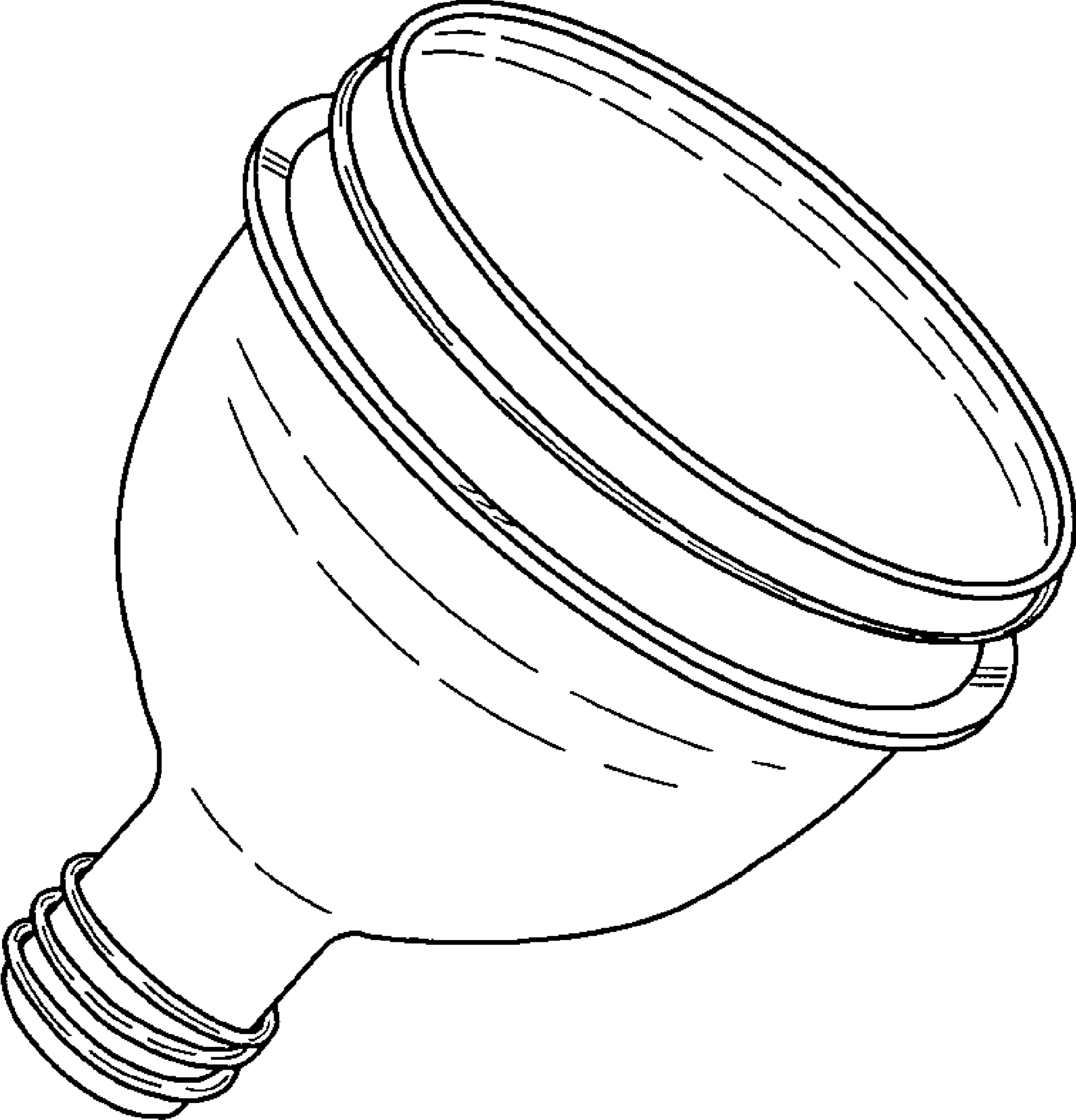
**FIG. 1**



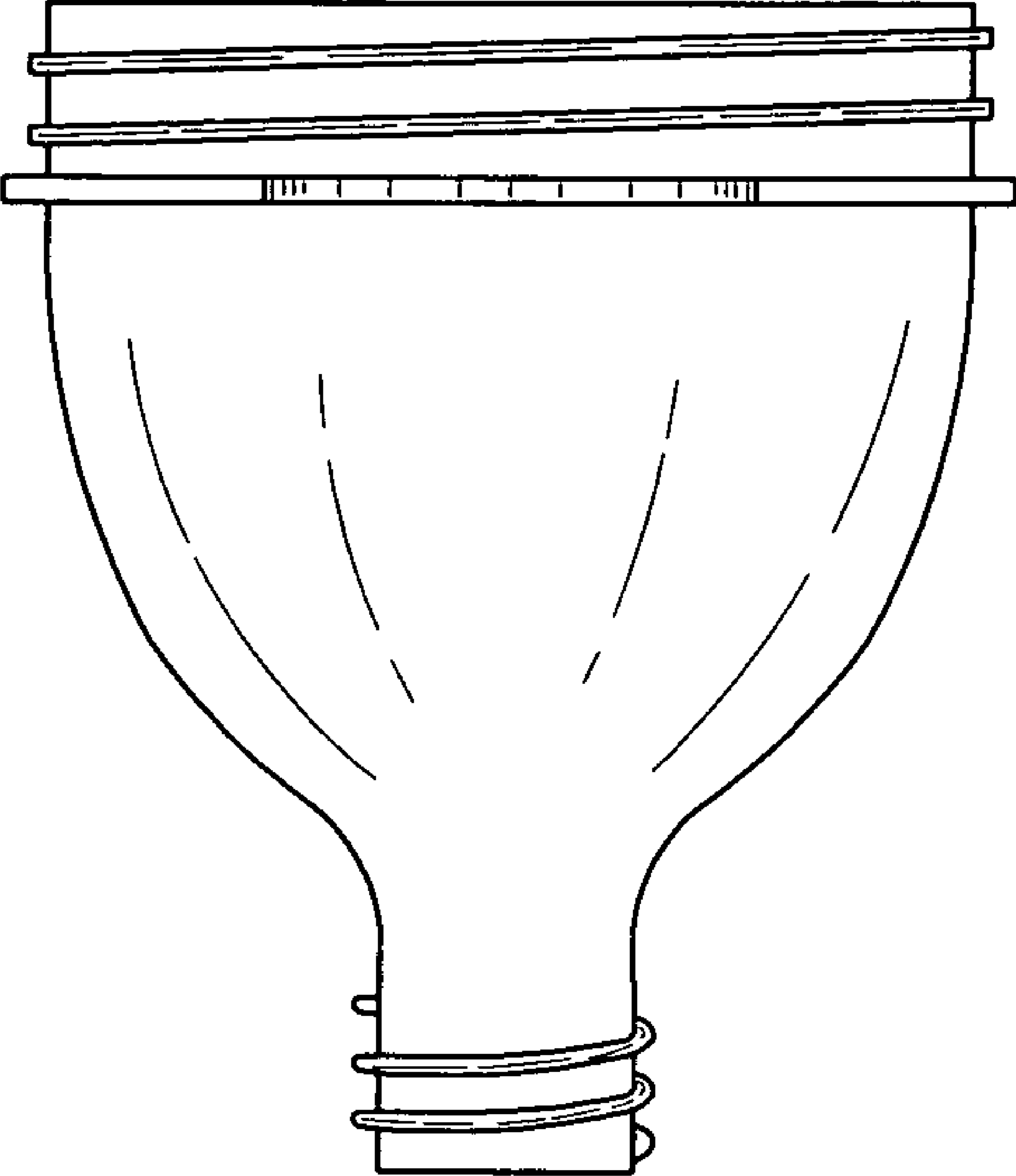
**FIG. 2**



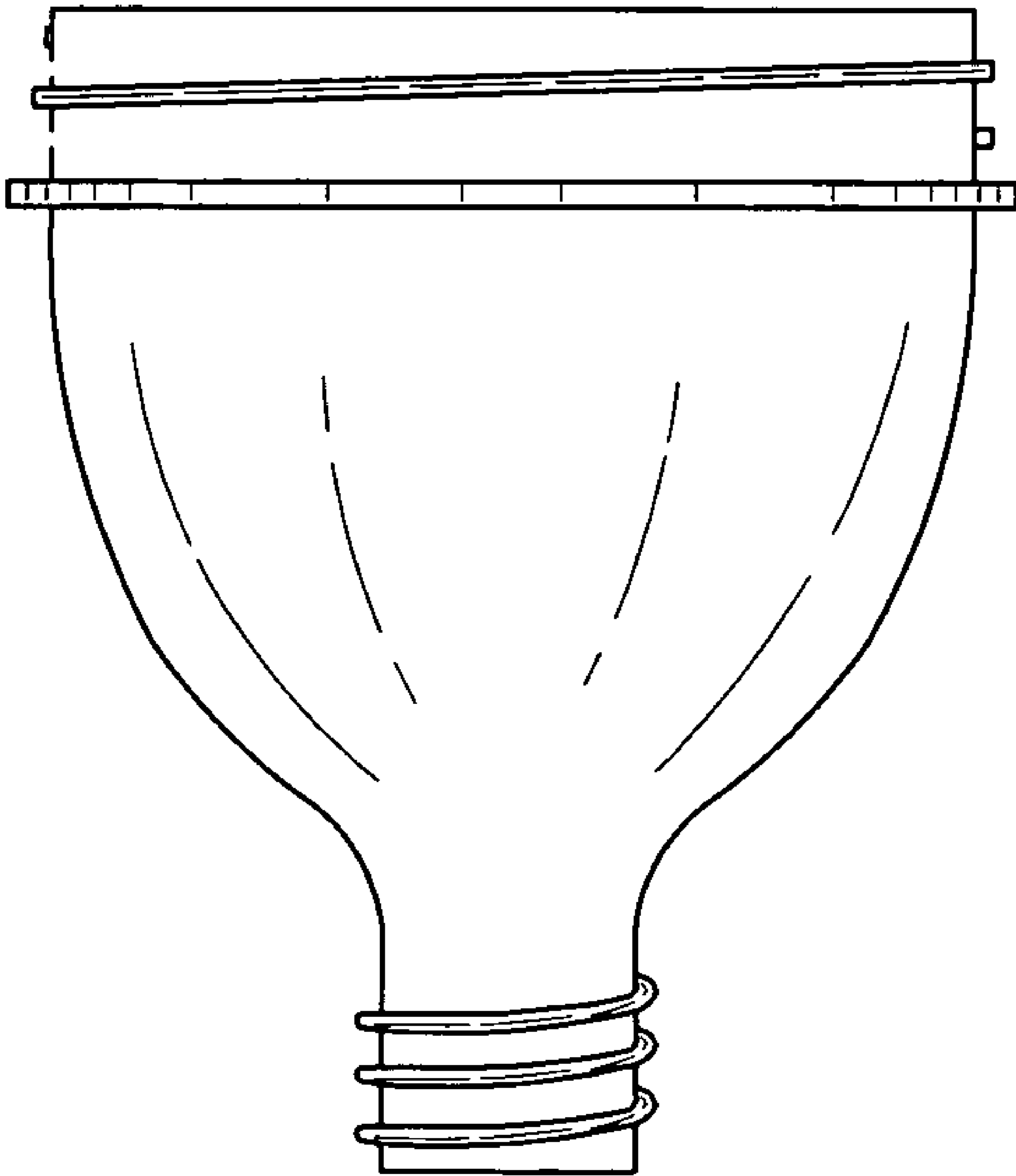
**FIG. 3**



**FIG. 4**

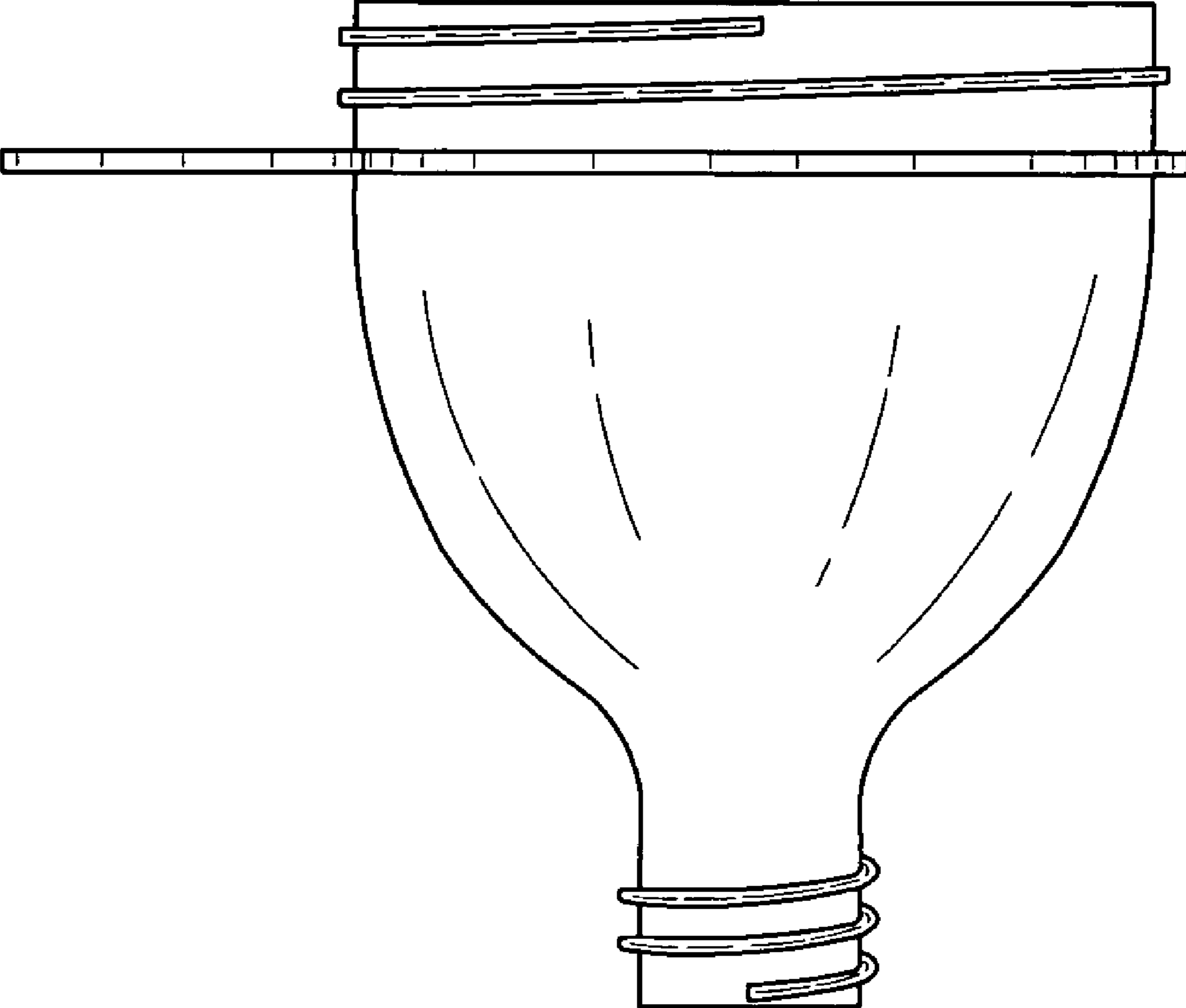


**FIG. 5**



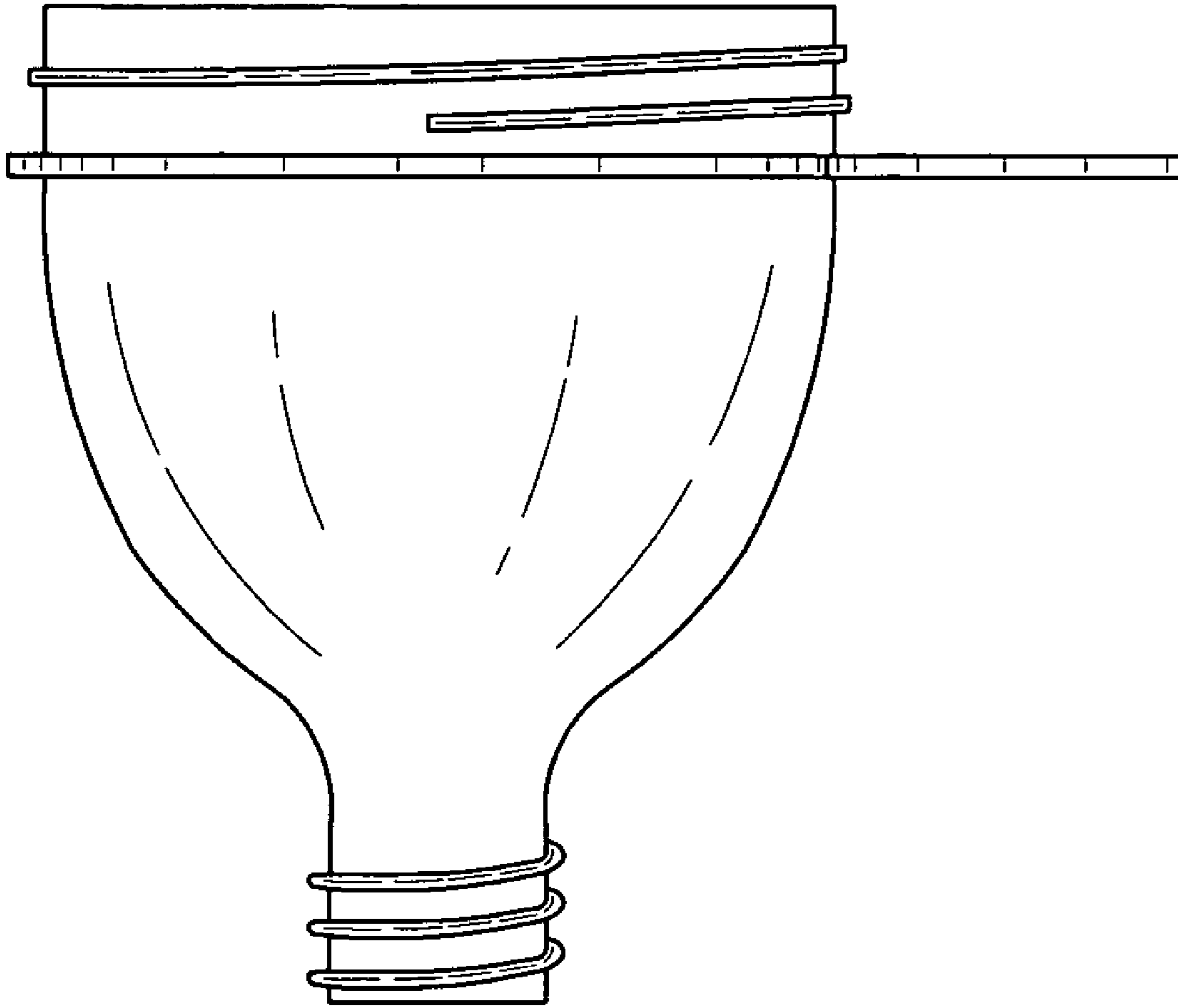
**FIG. 6**



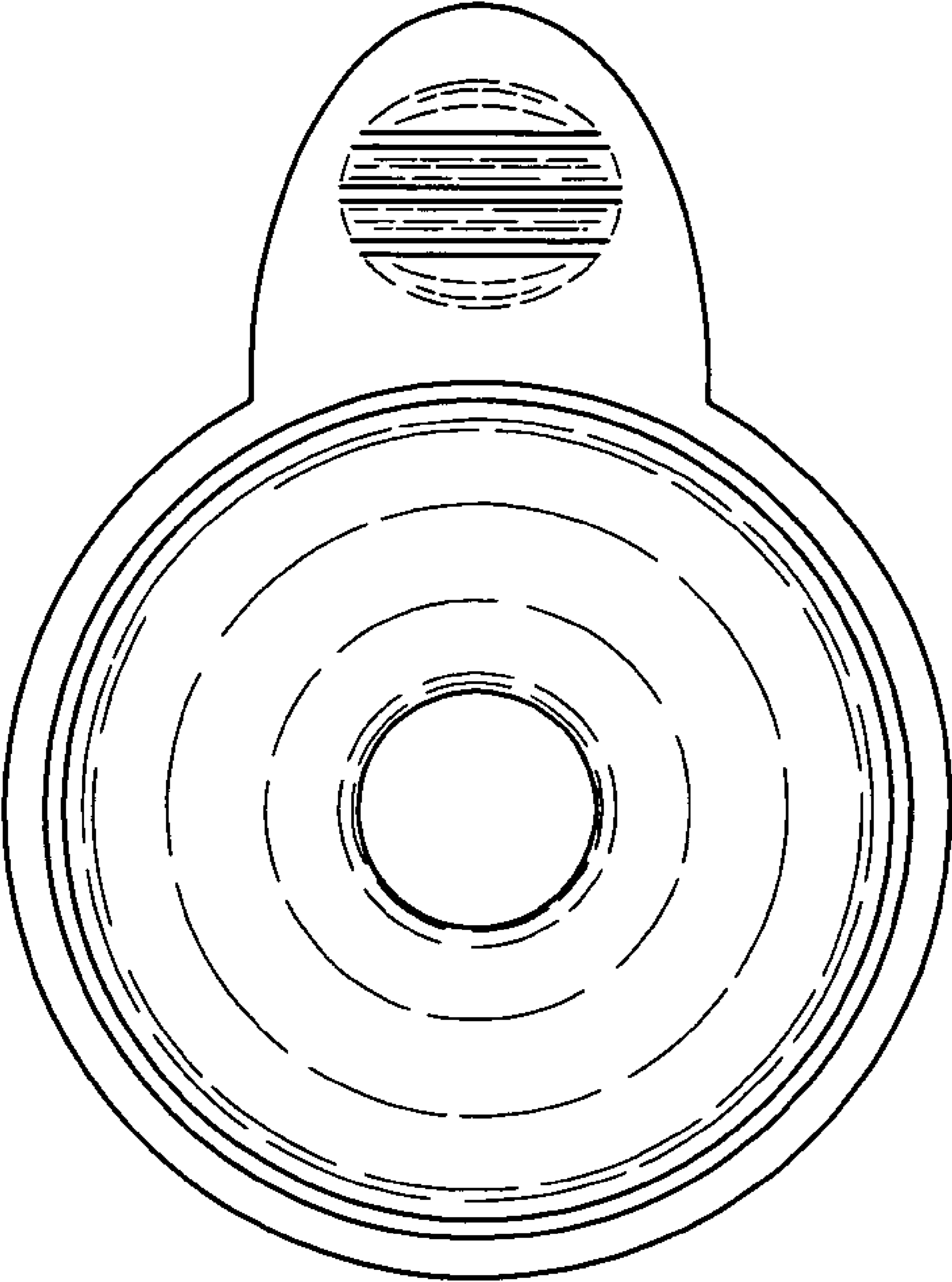


*FIG. 7*

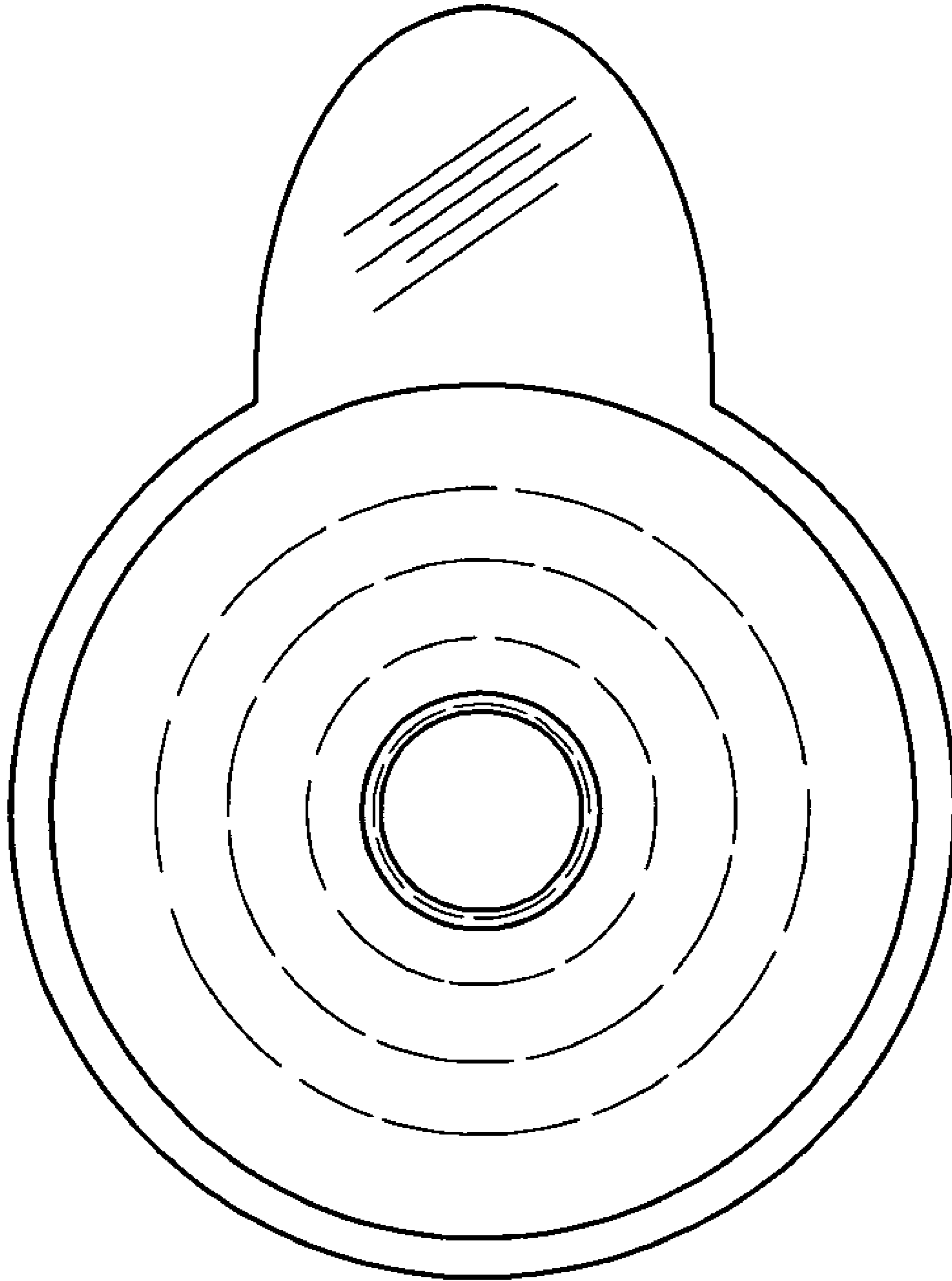




**FIG. 8**



**FIG. 9**



***FIG. 10***