



US00D676291S

(12) **United States Design Patent**  
**Audette, Jr.**

(10) **Patent No.:** **US D676,291 S**  
(45) **Date of Patent:** **\*\* Feb. 19, 2013**

(54) **OYSTER ADDUCTOR MUSCLE CUTTER**

(76) Inventor: **Albert David Audette, Jr.**, Stamford, VA  
(US)

(\*\*) Term: **14 Years**

(21) Appl. No.: **29/415,450**

(22) Filed: **Mar. 9, 2012**

(51) **LOC (9) Cl.** ..... **07-04**

(52) **U.S. Cl.** ..... **D7/693**

(58) **Field of Classification Search** ..... D7/680-696,  
D7/393, 395; D8/47, 14, 45; 452/3, 6, 12,  
452/15, 17, 26, 102

See application file for complete search history.

(56) **References Cited**

**U.S. PATENT DOCUMENTS**

2,707,325	A *	5/1955	Cripps	452/6
2,840,851	A *	7/1958	Verlander	452/3
3,353,207	A *	11/1967	Weinberger	452/3
3,991,466	A *	11/1976	Smith	
4,271,563	A *	6/1981	Theuman	452/6
D453,285	S *	2/2002	Dostal et al.	D7/693
D507,161	S *	7/2005	Ott et al.	D7/693
7,125,329	B2 *	10/2006	Mindes	452/3

D596,472	S	7/2009	Cook	
D630,909	S *	1/2011	Freese	D7/683
2003/0134585	A1	7/2003	Maloni	

**FOREIGN PATENT DOCUMENTS**

WO	2010054435	A1	5/2010
----	------------	----	--------

\* cited by examiner

*Primary Examiner* — Terry Wallace

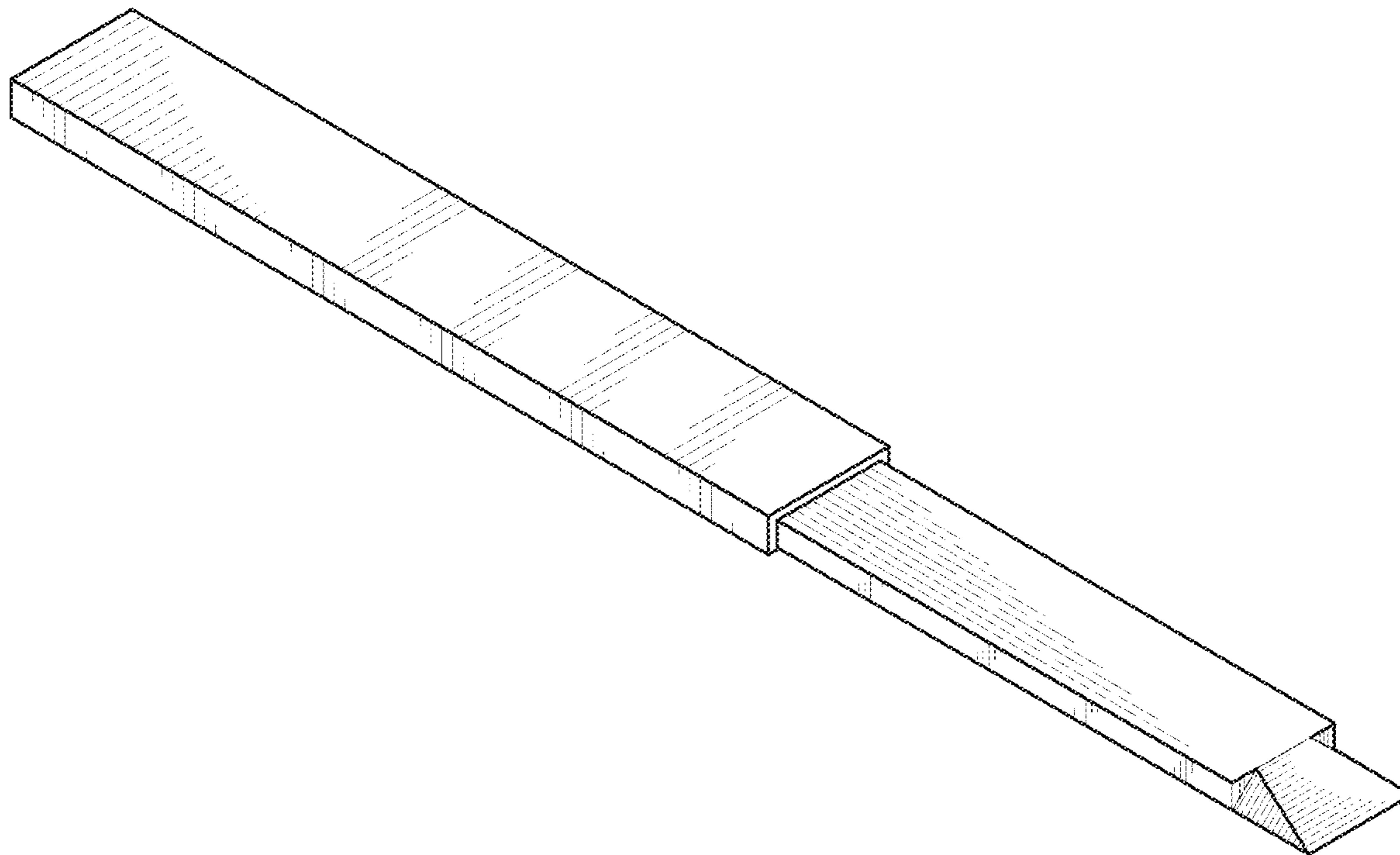
(57) **CLAIM**

The ornamental design for an oyster adductor muscle cutter, as shown and described.

**DESCRIPTION**

FIG. 1 is a left rear perspective view of an oyster adductor muscle cutter of the present invention; FIG. 2 is a top plan view thereof; FIG. 3 is a rear view thereof; FIG. 4 is a right side view thereof; FIG. 5 is a front view thereof; and, FIG. 6 is a bottom plan view thereof. The broken lines showing environmental structure is for illustrative purposes only and form no part of the claimed design.

**1 Claim, 2 Drawing Sheets**



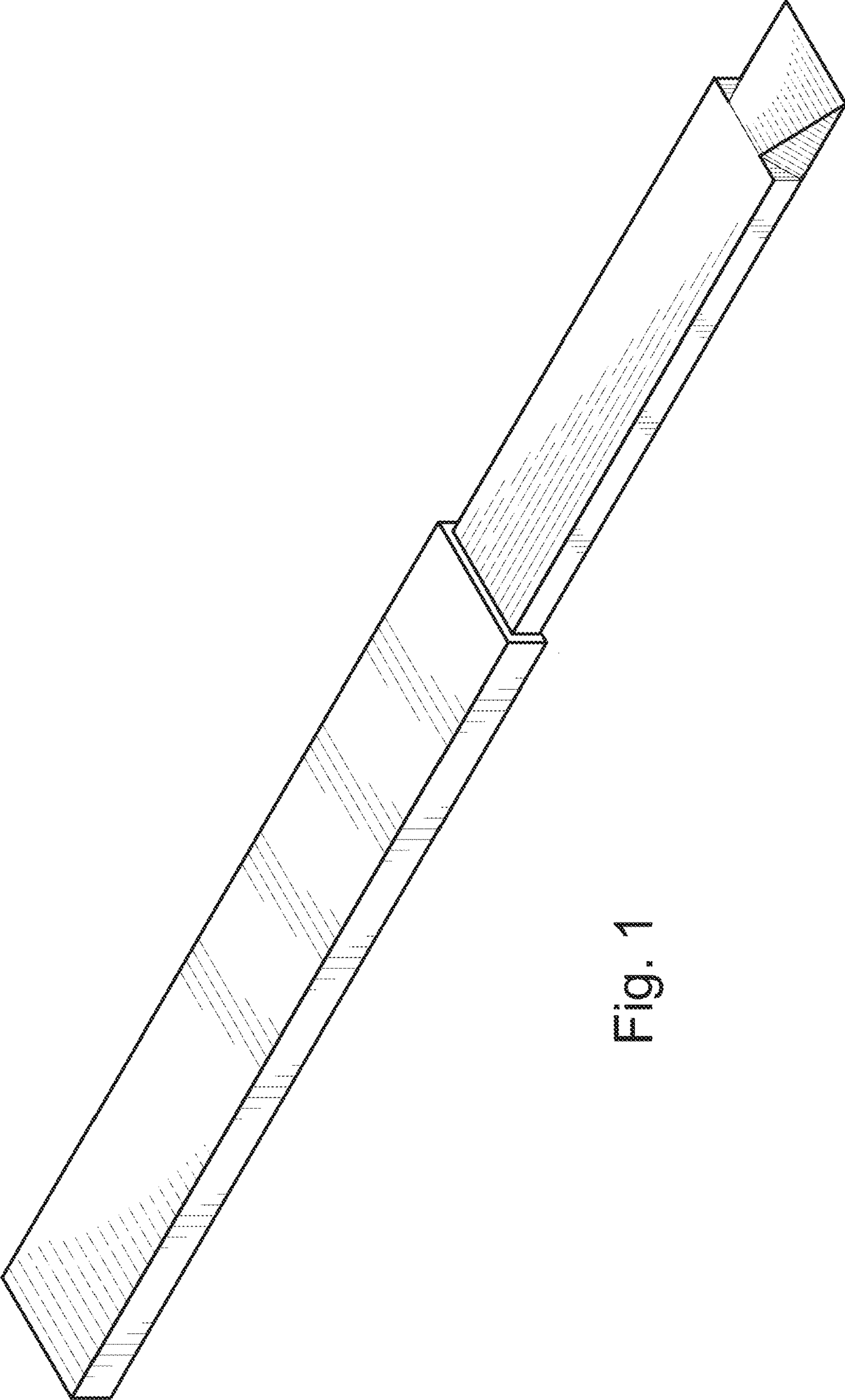


Fig. 1

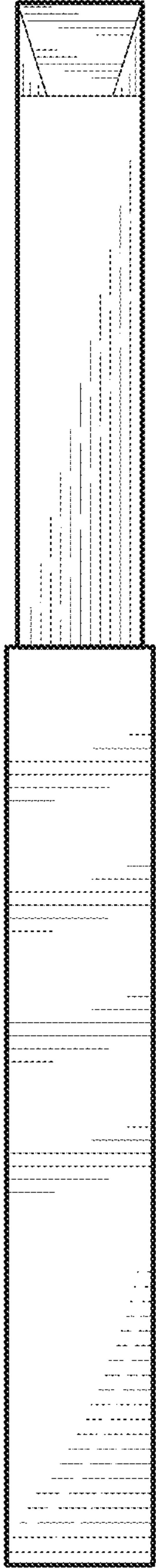


Fig. 2



Fig. 3



Fig. 4

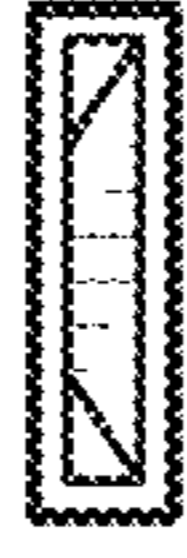


Fig. 5

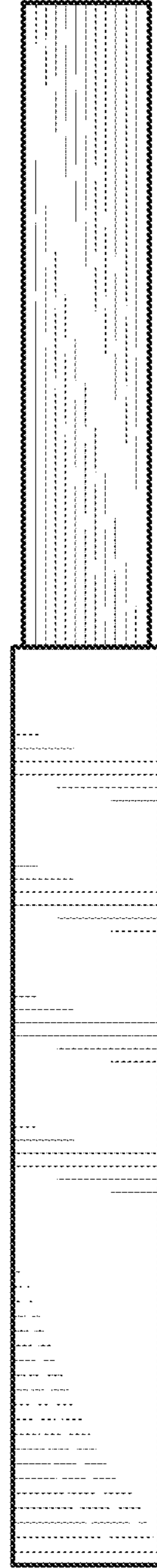


Fig. 6