



US00D676287S

(12) **United States Design Patent**
Ferraby

(10) **Patent No.:** **US D676,287 S**

(45) **Date of Patent:** **** Feb. 19, 2013**

(54) **FRUIT JUICE EXTRACTOR**

(75) Inventor: **Robin Ferraby**, Hampshire (GB)

(73) Assignee: **Kenwood Limited**, Hampshire (GB)

(**) Term: **14 Years**

(21) Appl. No.: **29/385,328**

(22) Filed: **Feb. 11, 2011**

(30) **Foreign Application Priority Data**

Aug. 13, 2010 (EM) 001743311-0001

(51) **LOC (9) Cl.** **07-04**

(52) **U.S. Cl.** **D7/665**

(58) **Field of Classification Search** D7/300,
D7/306, 310, 312, 368, 372-374, 386, 665;
99/495, 506-510; 100/111, 125, 133
See application file for complete search history.

(56) **References Cited**

U.S. PATENT DOCUMENTS

D501,370 S * 2/2005 Hensel et al. D7/665
D512,882 S * 12/2005 Hsu D7/665
D513,943 S * 1/2006 Hsu D7/665

D522,321 S * 6/2006 Hsu D7/665
D538,115 S * 3/2007 Lin D7/665
D538,116 S * 3/2007 Siu D7/665
D540,127 S * 4/2007 Ye et al. D7/665
D566,486 S * 4/2008 Wu D7/665
D594,717 S * 6/2009 Wu Chang D7/665
D631,282 S * 1/2011 Ferraby D7/386

* cited by examiner

Primary Examiner — Dana L Meyrow

(74) *Attorney, Agent, or Firm* — Martin Fleit; Paul D. Bianco; Fleit Gibbons Gutman Bongini & Bianco PL

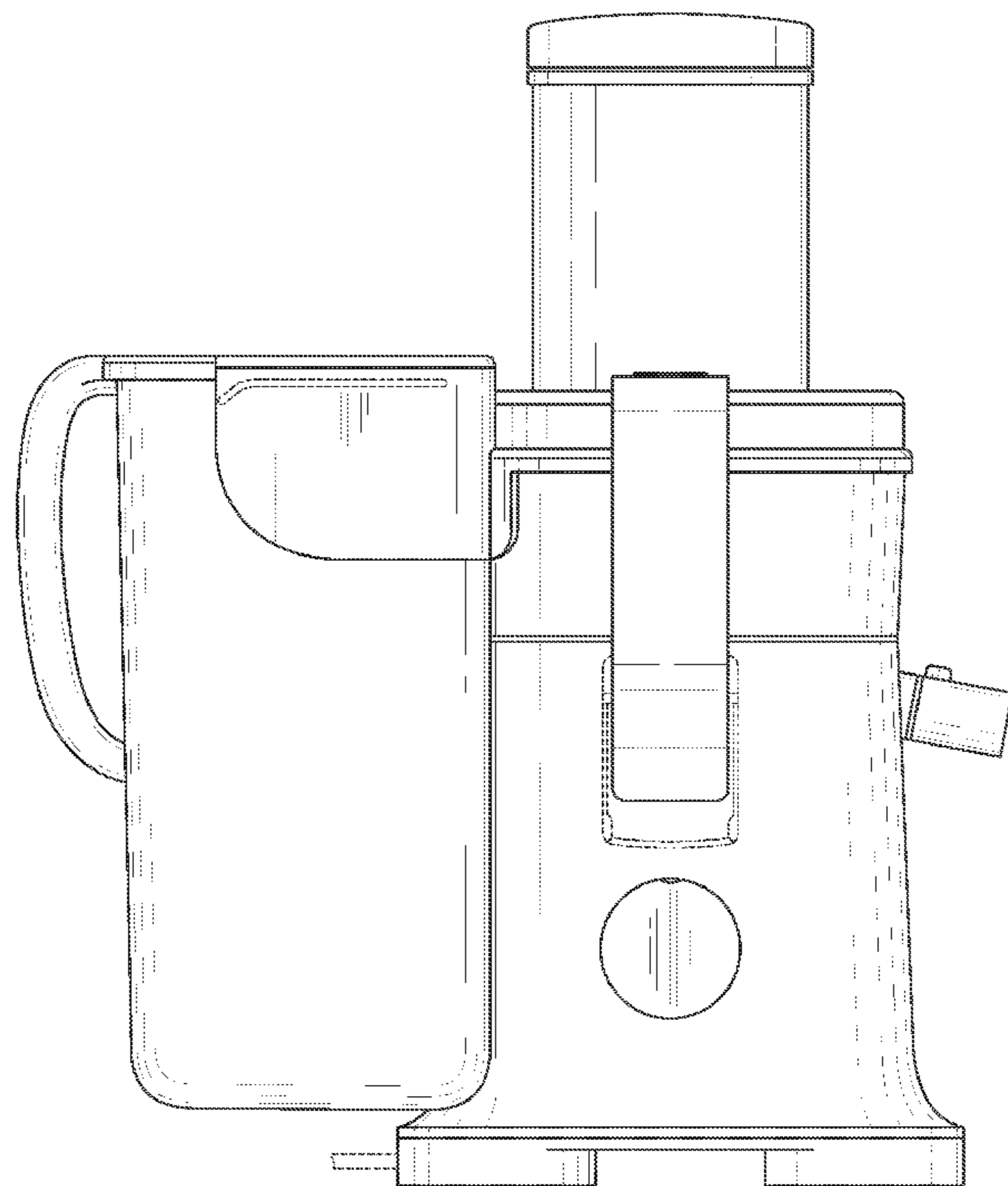
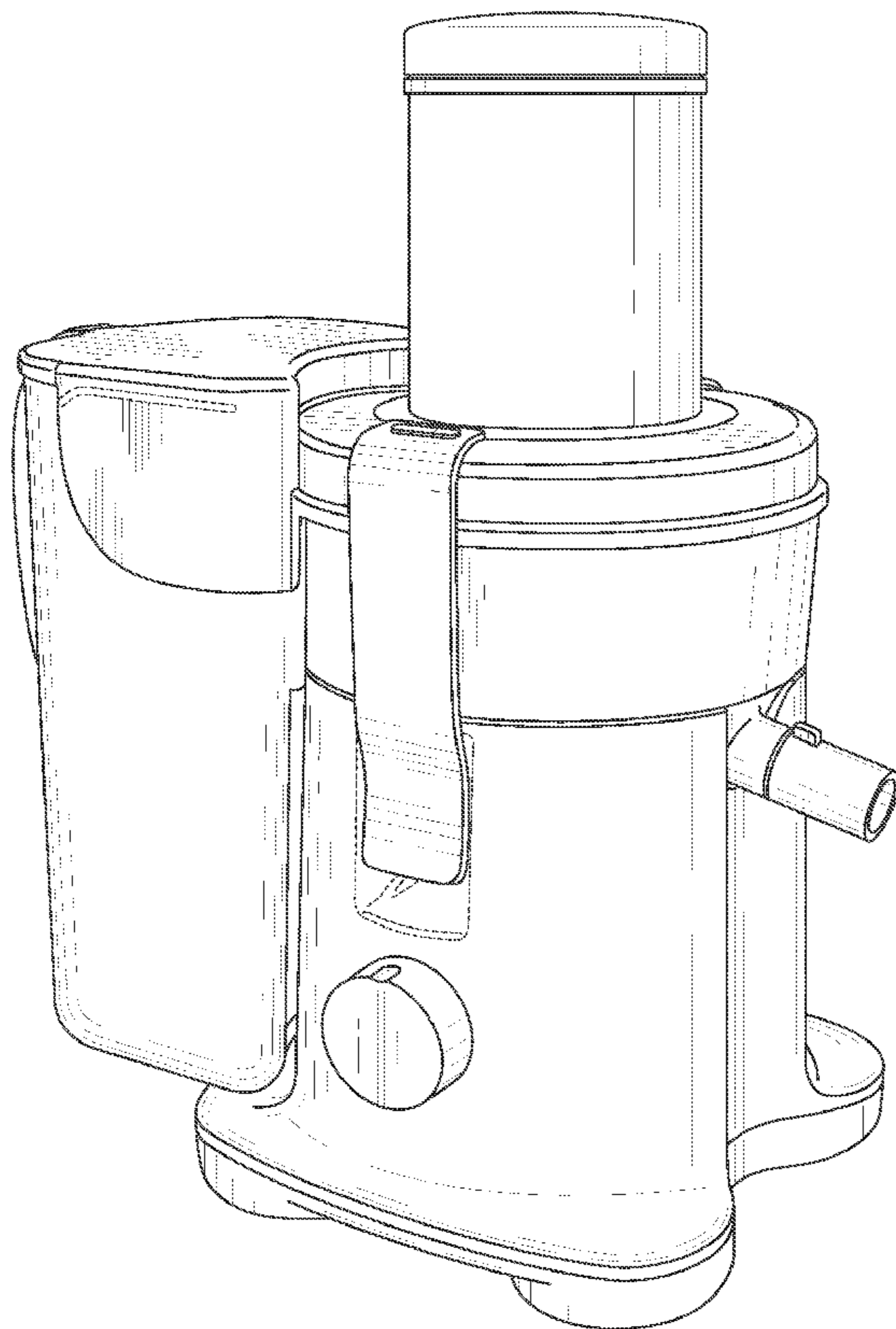
(57) **CLAIM**

The ornamental design for a fruit juice extractor, as shown and described.

DESCRIPTION

FIG. 1 is a perspective view of a fruit juice extractor from above and to one side;
FIG. 2 is a front elevation showing the spout;
FIG. 3 is a rear elevation;
FIG. 4 is an elevation from one side;
FIG. 5 is an elevation from other side; and,
FIG. 6 is a plan view from above.

1 Claim, 6 Drawing Sheets



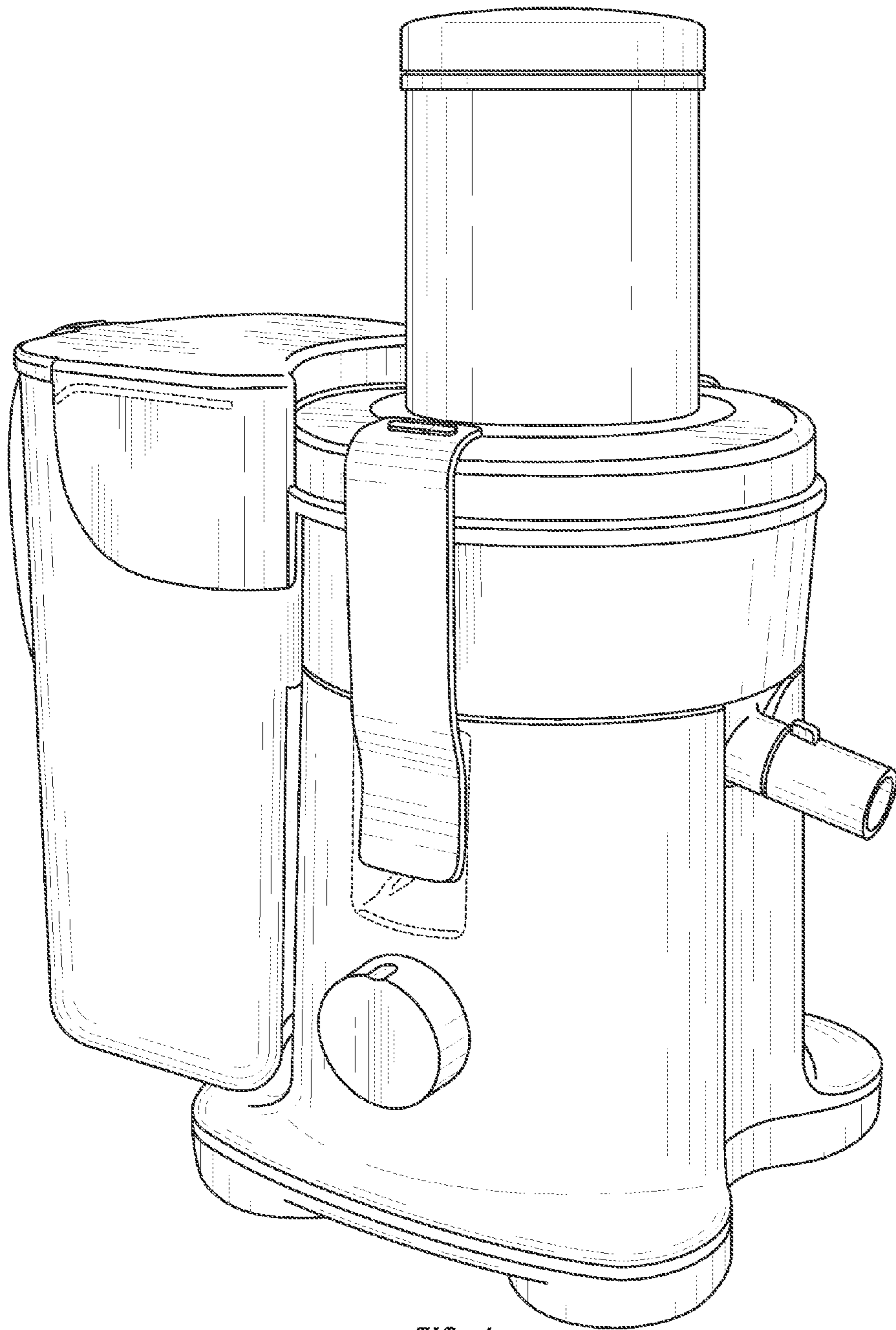


FIG. 1

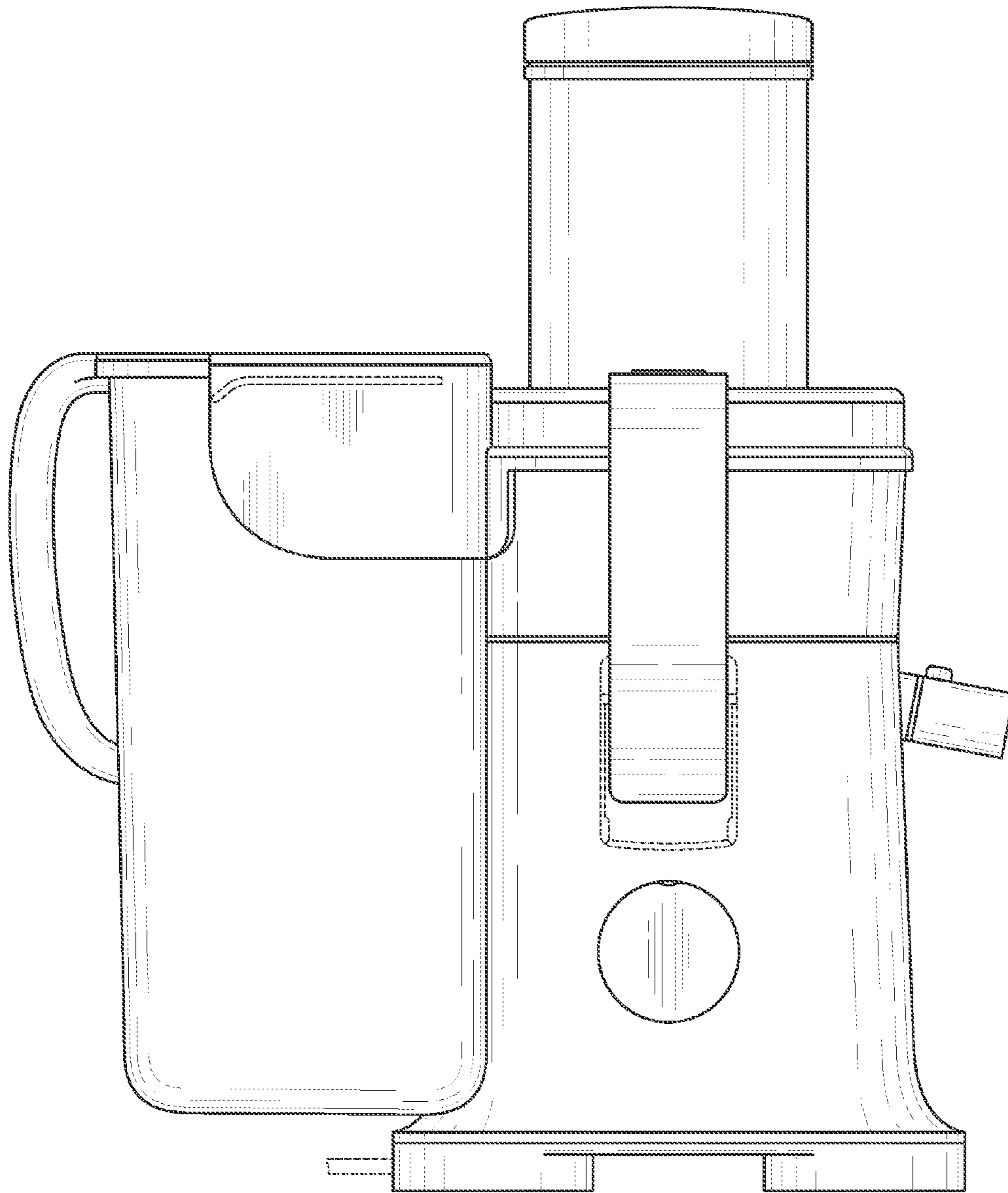


FIG. 2

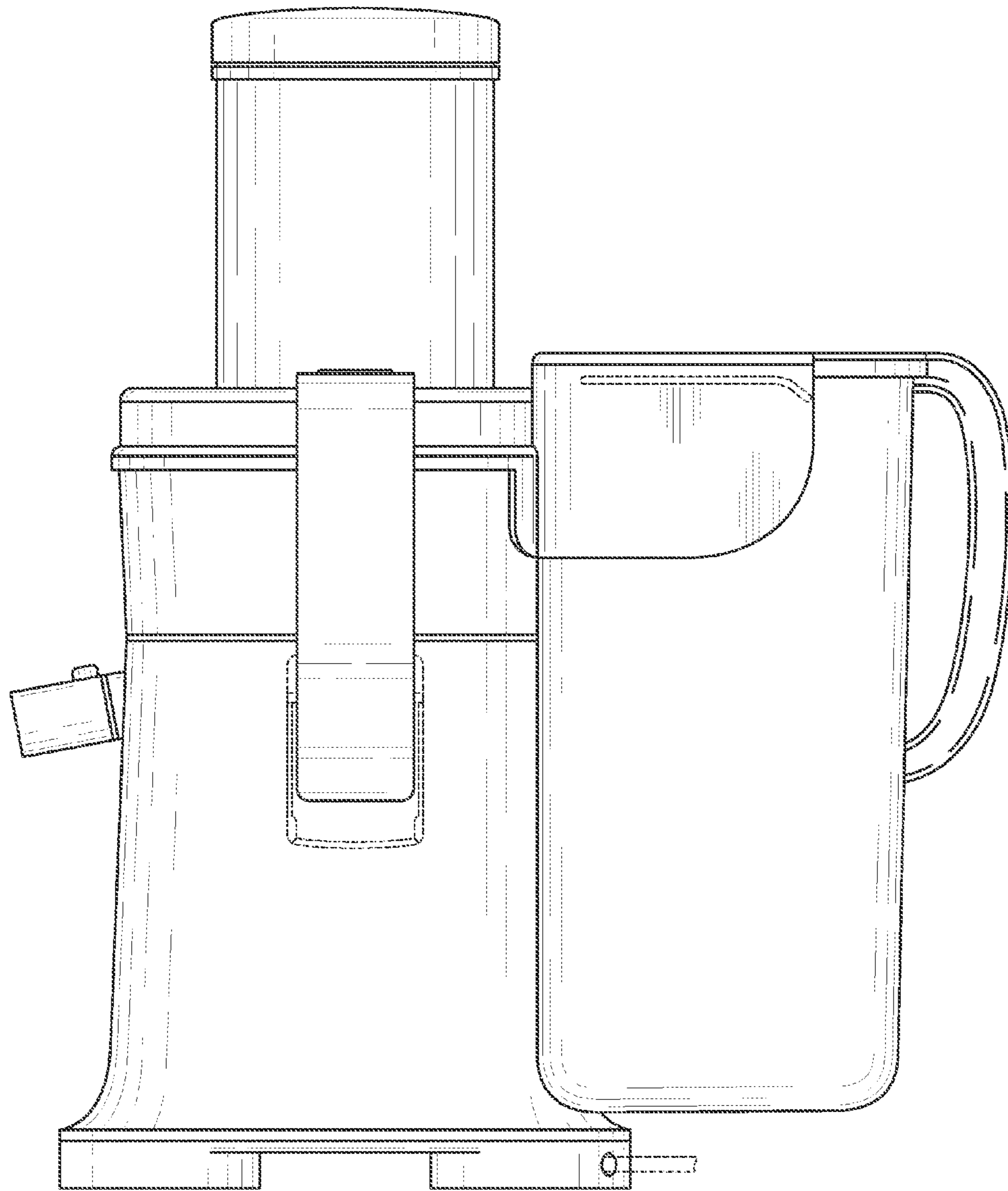


FIG. 3

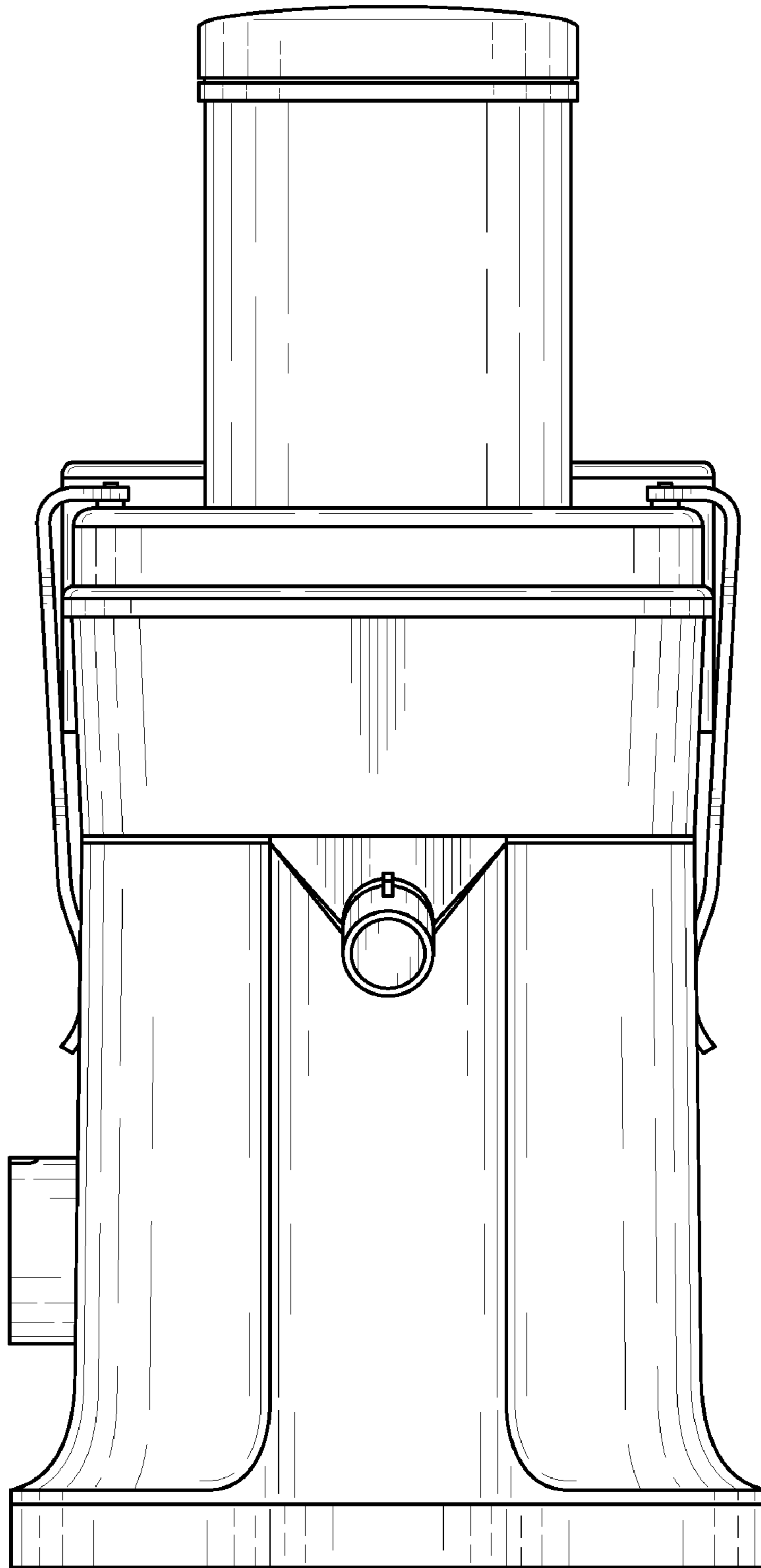


FIG. 4

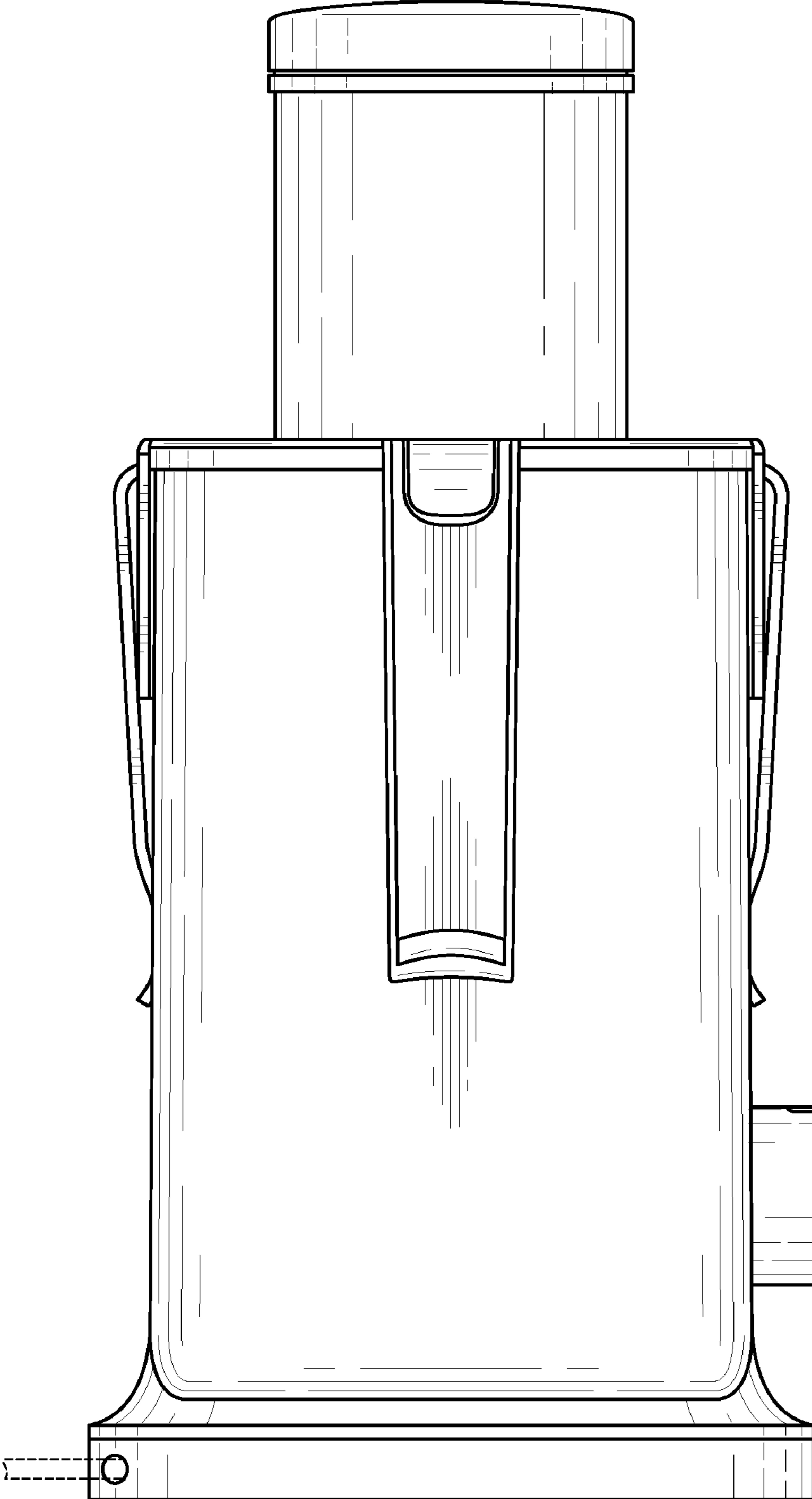


FIG. 5

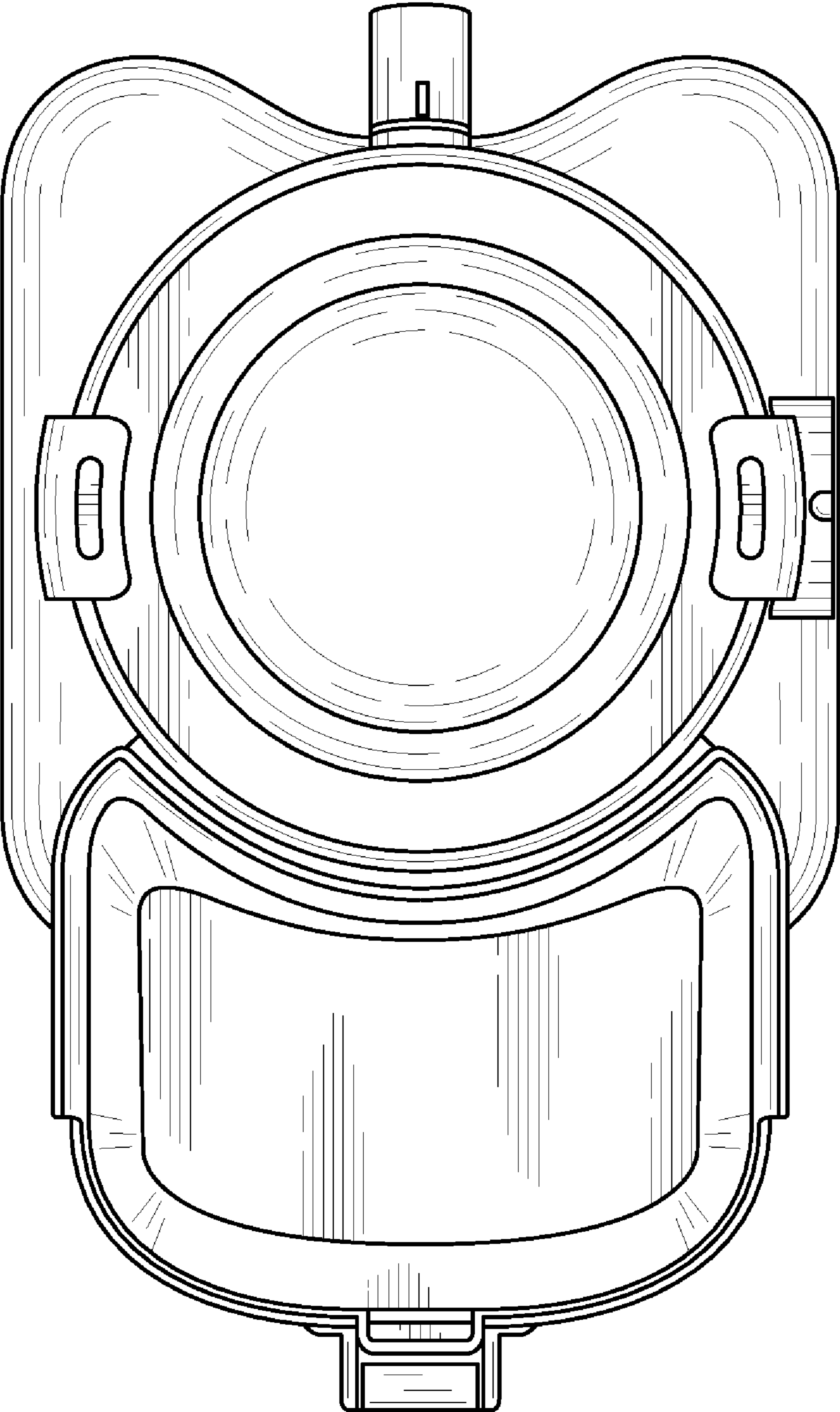


FIG. 6