



US00D676285S

(12) **United States Design Patent**  
**Shirley et al.**

(10) **Patent No.:** **US D676,285 S**  
(45) **Date of Patent:** **\*\* Feb. 19, 2013**

(54) **PRODUCE STORAGE CONTAINER**

(75) Inventors: **Nathan E. Shirley**, Orlando, FL (US);  
**Jan-Hendrik de Groot**e, Brussels (BE)

(73) Assignee: **Dart Industries Inc.**, Orlando, FL (US)

(\*\*) Term: **14 Years**

(21) Appl. No.: **29/421,057**

(22) Filed: **May 11, 2012**

(51) **LOC (9) Cl.** ..... **07-07**

(52) **U.S. Cl.** ..... **D7/629**

(58) **Field of Classification Search** ..... D7/602,  
D7/629, 630, 538-542, 391, 392, 392.1;  
D9/424-432, 737, 756, 761; D3/273, 274,  
D3/201, 203.1-203.8; 220/780-806, 675,  
220/574-575, 236, 326, 324, 4.23-4.25  
See application file for complete search history.

(56) **References Cited**

U.S. PATENT DOCUMENTS

2,141,013	A	12/1938	Nicholson	
2,492,846	A	12/1949	Coyle et al.	
2,673,003	A	3/1954	Stewart	
2,938,649	A	5/1960	Debs	
D223,144	S	3/1972	Bloch	
D224,587	S	8/1972	Jewell	
4,000,830	A	1/1977	French	
D268,560	S	4/1983	Daenen et al.	
D272,505	S	2/1984	Daenen et al.	
4,597,503	A	7/1986	Lates	
5,048,707	A	9/1991	Hallberg	
5,839,601	A	11/1998	Van Melle	
5,938,062	A	8/1999	Paramski	
6,029,843	A	2/2000	Kroscher et al.	
D424,298	S	5/2000	Laib	
D442,484	S	* 5/2001	Maxwell et al.	D9/761
D446,419	S	8/2001	Ming-Shiue	
D451,769	S	* 12/2001	Stanos et al.	D7/629
6,367,651	B2	4/2002	Laib et al.	
D465,382	S	11/2002	Wolf et al.	
D465,969	S	11/2002	Morin	
D468,154	S	1/2003	Klock et al.	
D475,239	S	6/2003	Claypool	
D476,567	S	7/2003	Weiss et al.	
D515,880	S	* 2/2006	Lerner	D7/629
D530,625	S	* 10/2006	Darin	D9/761
D550,044	S	* 9/2007	Curtin et al.	D7/629
D572,587	S	7/2008	Rush et al.	

D583,191	S	12/2008	Wong	
7,611,029	B2	11/2009	Wong	
7,678,271	B2	3/2010	Curtin	
7,845,510	B2	12/2010	Schmidtner et al.	
7,850,037	B2	12/2010	Schmidtner et al.	
7,874,447	B2	1/2011	Schmidtner et al.	
D649,838	S	* 12/2011	Stamper et al.	D7/602
2008/0203092	A1	8/2008	Stamper et al.	
2011/0180543	A1	7/2011	Rusnak et al.	

FOREIGN PATENT DOCUMENTS

AU 139808 3/1999

OTHER PUBLICATIONS

Progressive International Corp.; Packaging for Collapsible Produce Keeper (two pages); ©2011.

\* cited by examiner

*Primary Examiner* — Terry Wallace

(74) *Attorney, Agent, or Firm* — John A. Doninger

(57) **CLAIM**

The ornamental design for a produce storage container, as shown and described.

**DESCRIPTION**

FIG. 1 is a top, front and right side perspective view of the first embodiment of a produce storage container showing my new design;

FIG. 2 is a bottom, front and left side perspective view thereof;

FIG. 3 is a front elevation view thereof;

FIG. 4 is a rear elevation view thereof;

FIG. 5 is a right side elevation view thereof;

FIG. 6 is a left side elevation view thereof;

FIG. 7 is a top plan view thereof;

FIG. 8 is a bottom plan view thereof;

FIG. 9 is a top, front and right side perspective view of the second embodiment of a produce storage container showing my new design;

FIG. 10 is a bottom, front and left side perspective view thereof;

FIG. 11 is a front elevation view thereof;

FIG. 12 is a rear elevation view thereof;

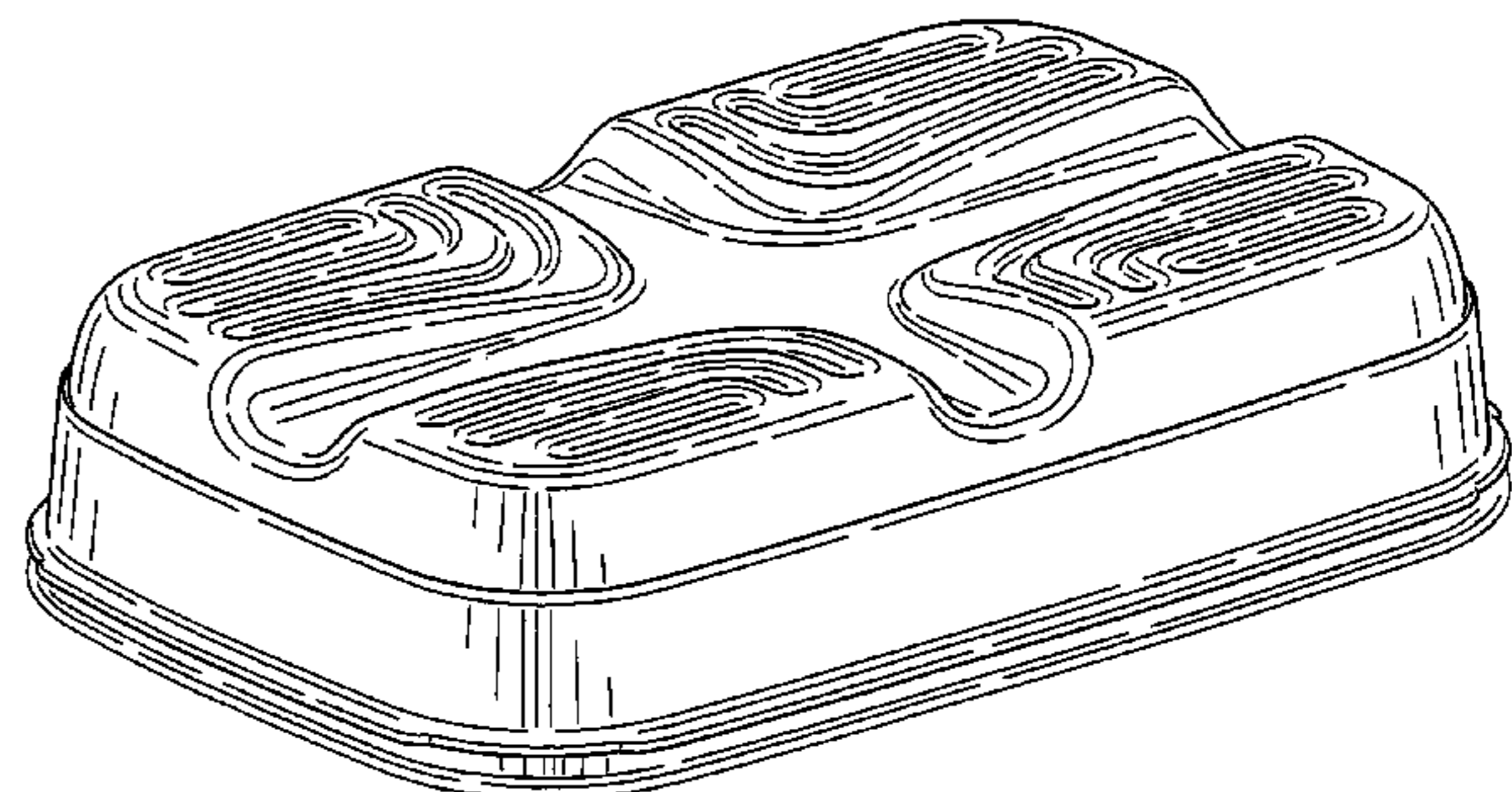
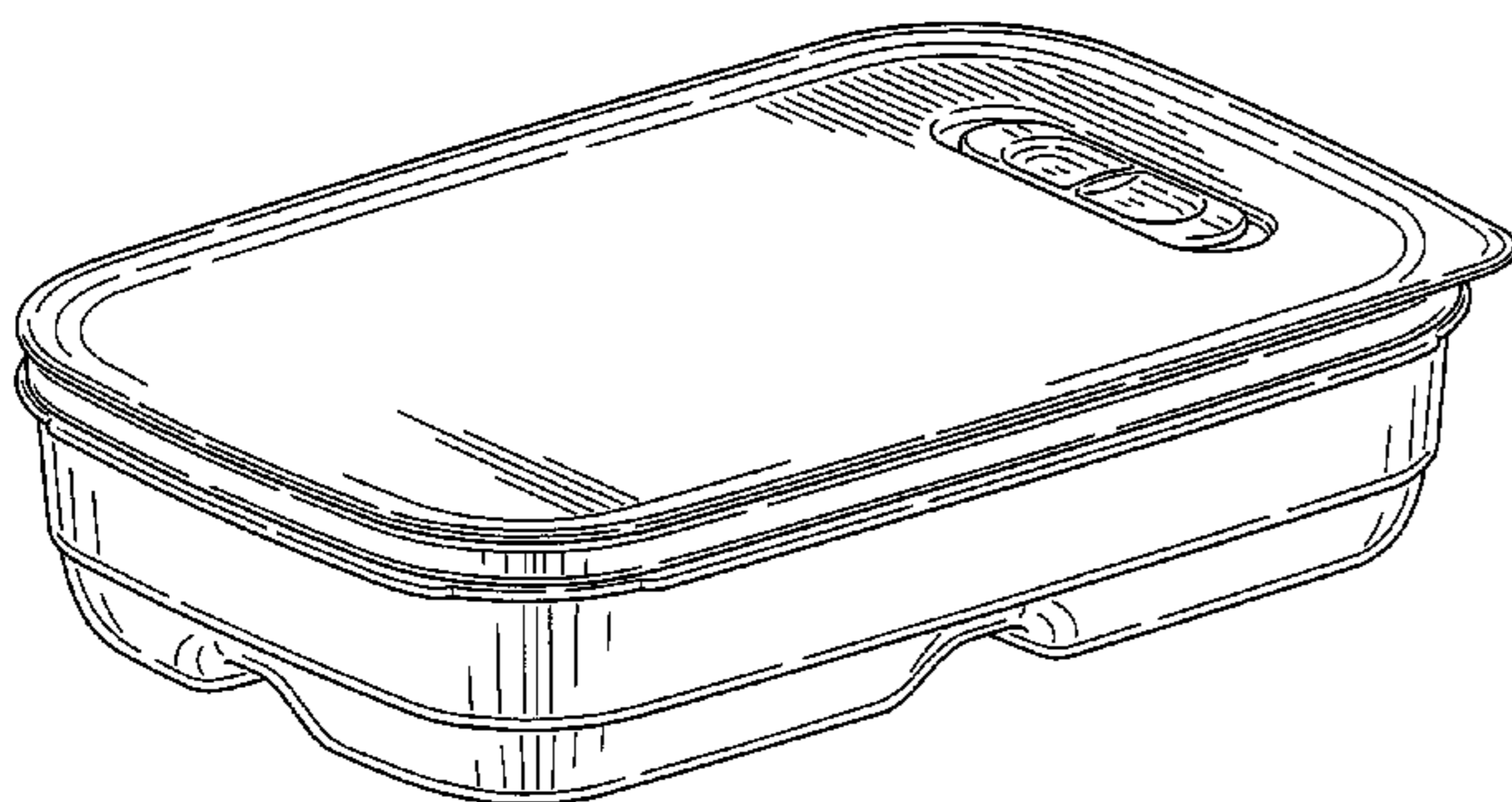
Fig. 13 is a right side elevation view thereof;

FIG. 14 is a left side elevation view thereof;

FIG. 15 is a top plan view thereof; and,

FIG. 16 is a bottom plan view thereof.

**1 Claim, 9 Drawing Sheets**



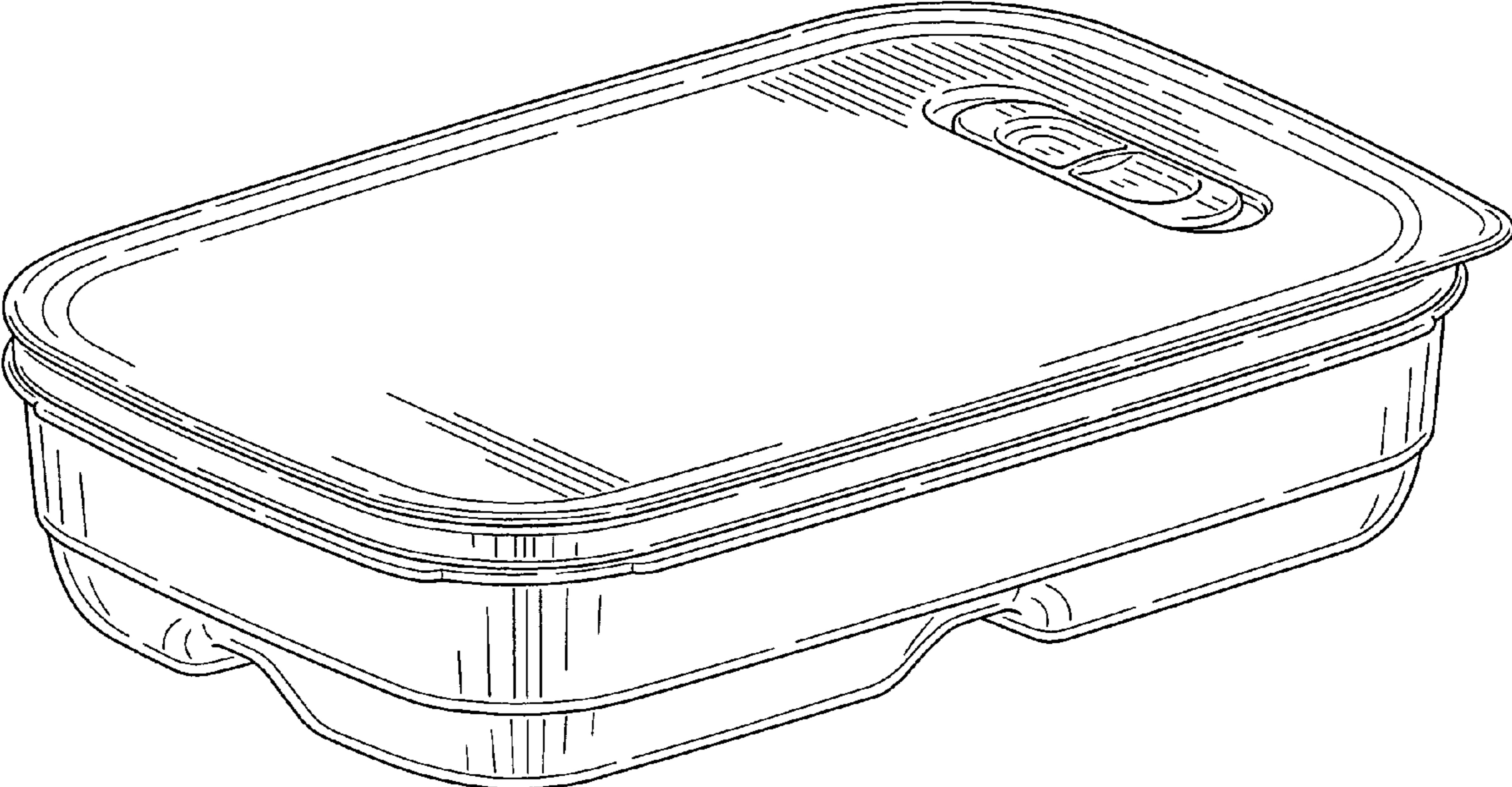


FIG. 1

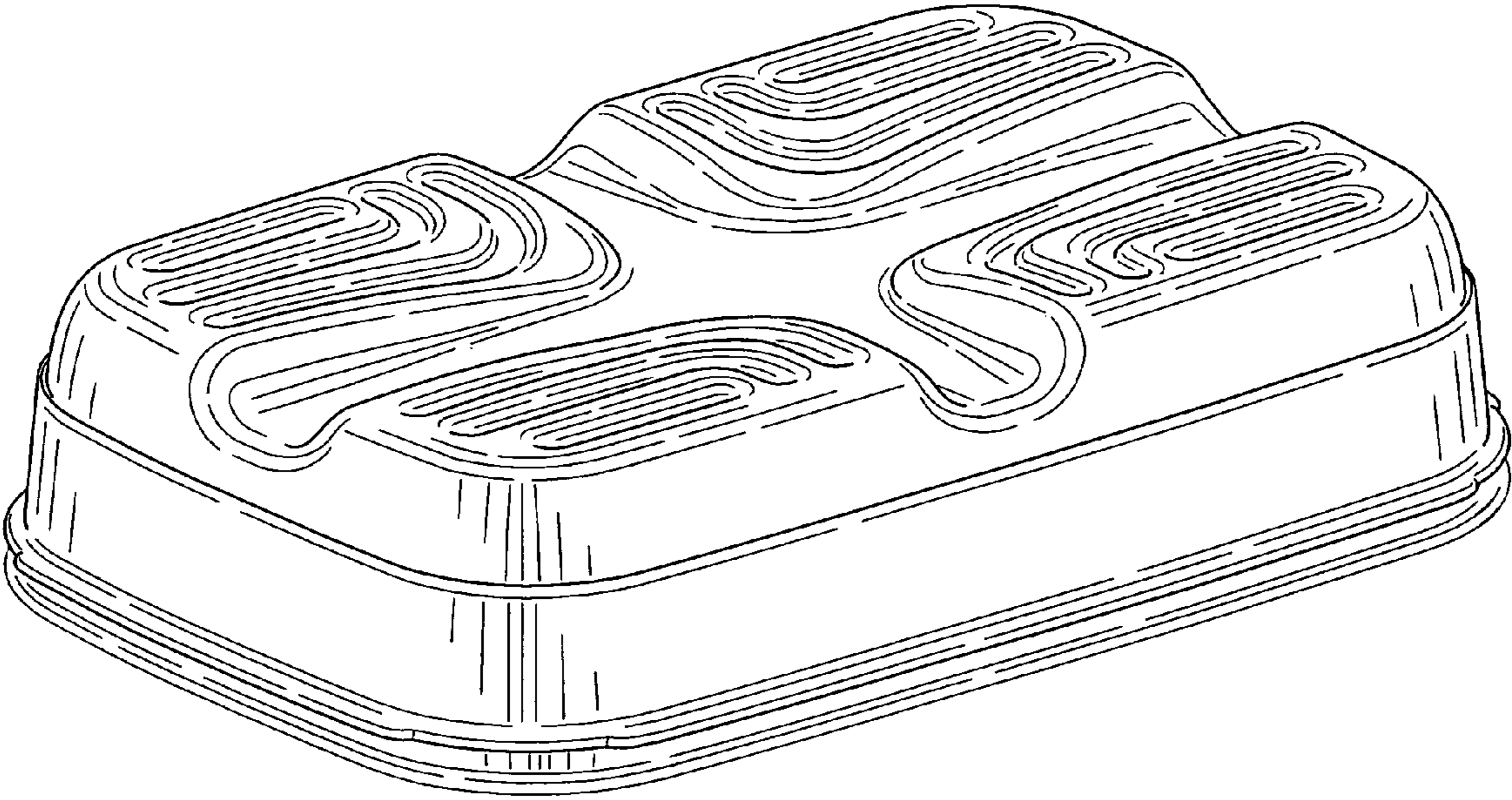
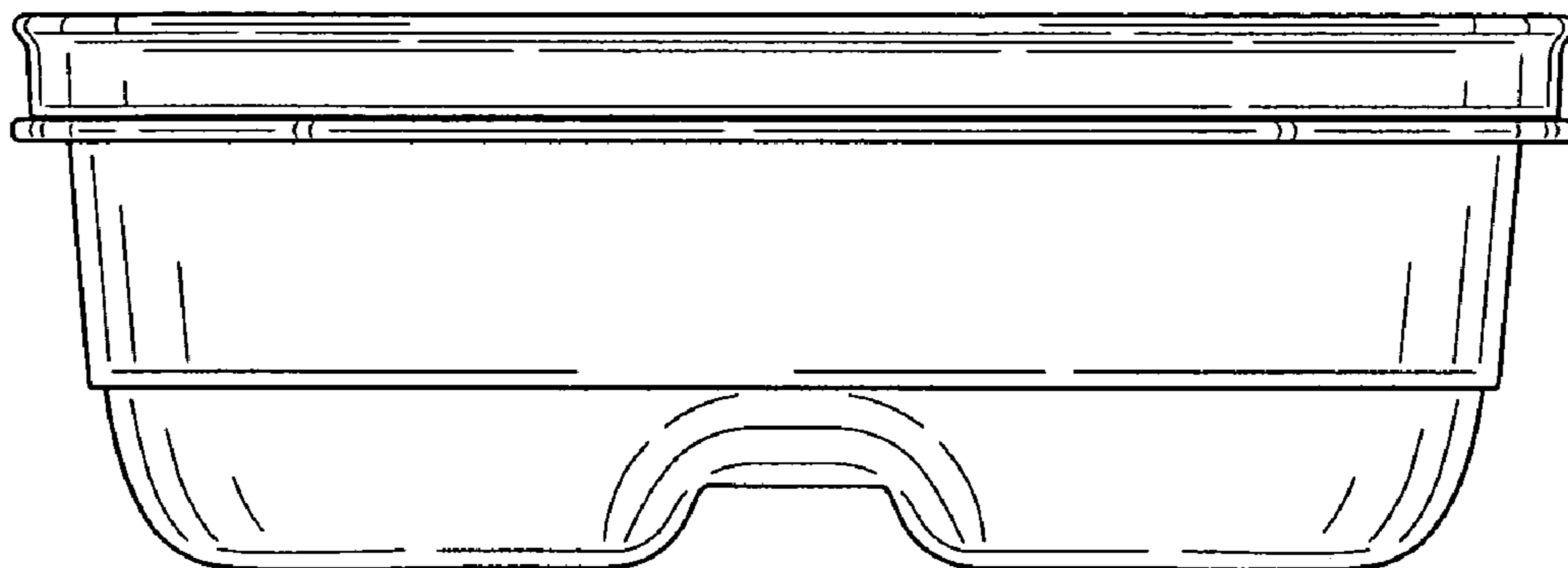
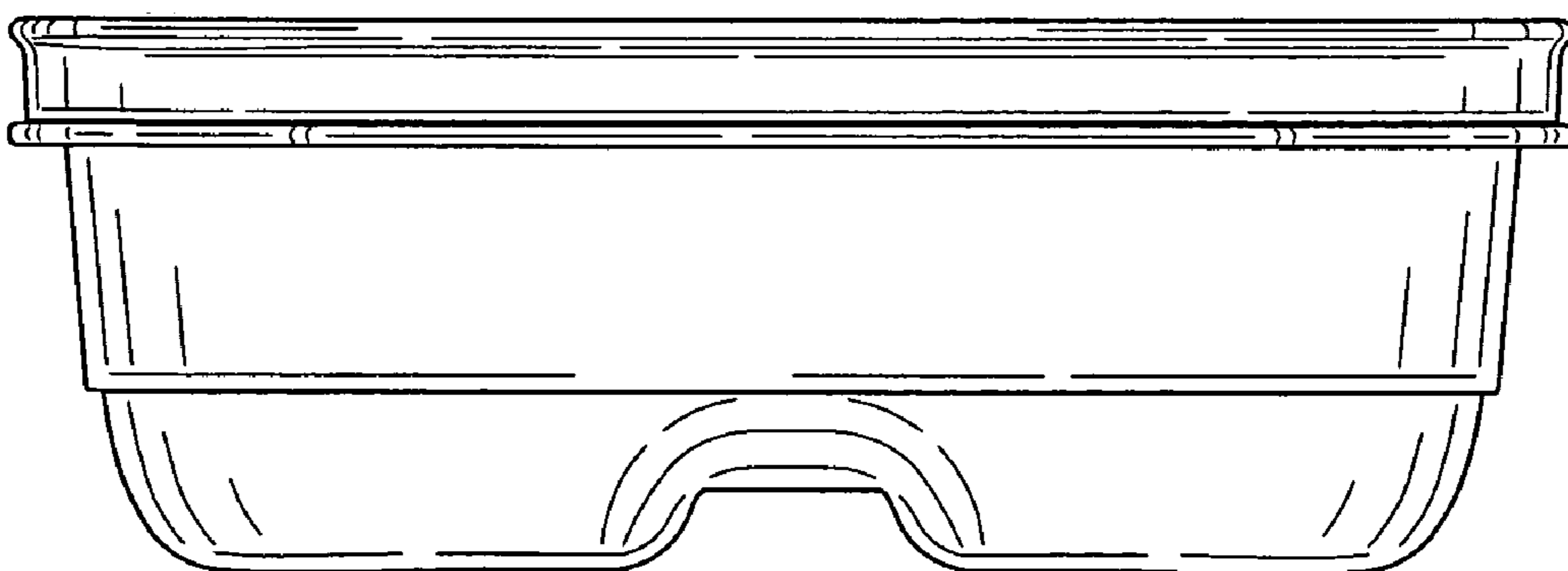


FIG. 2



*FIG. 3*



*FIG. 4*

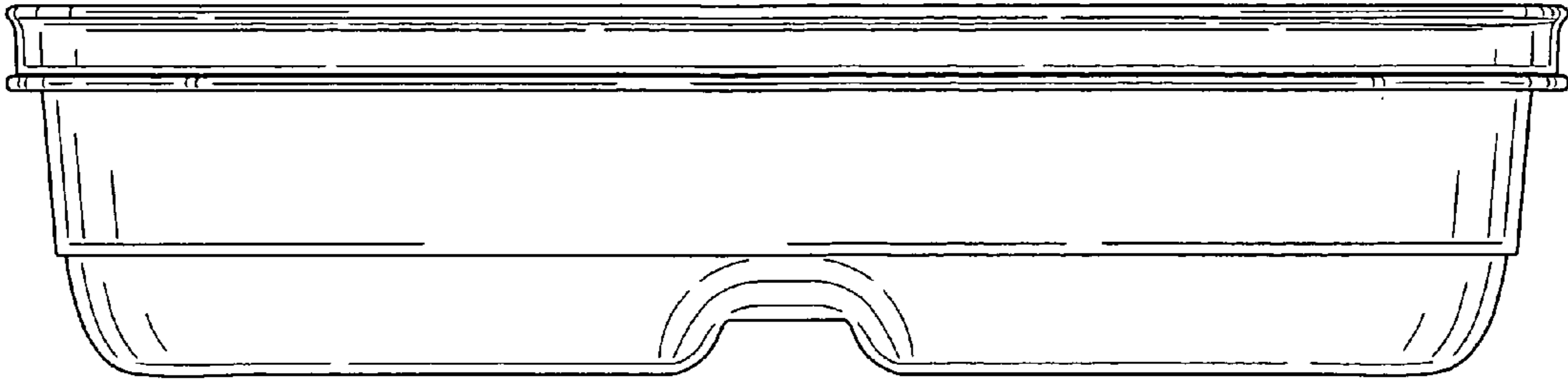


FIG. 5

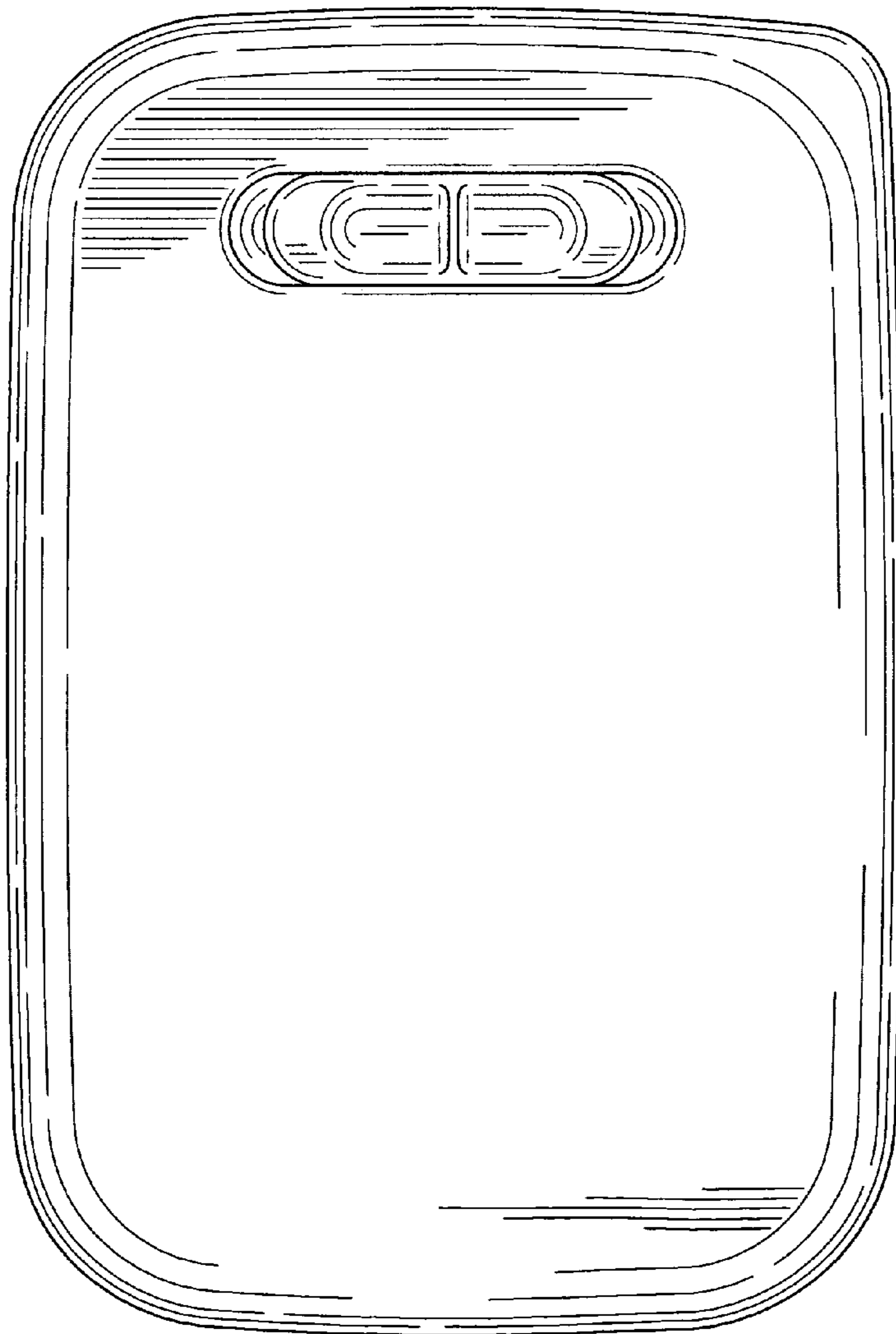


FIG. 7

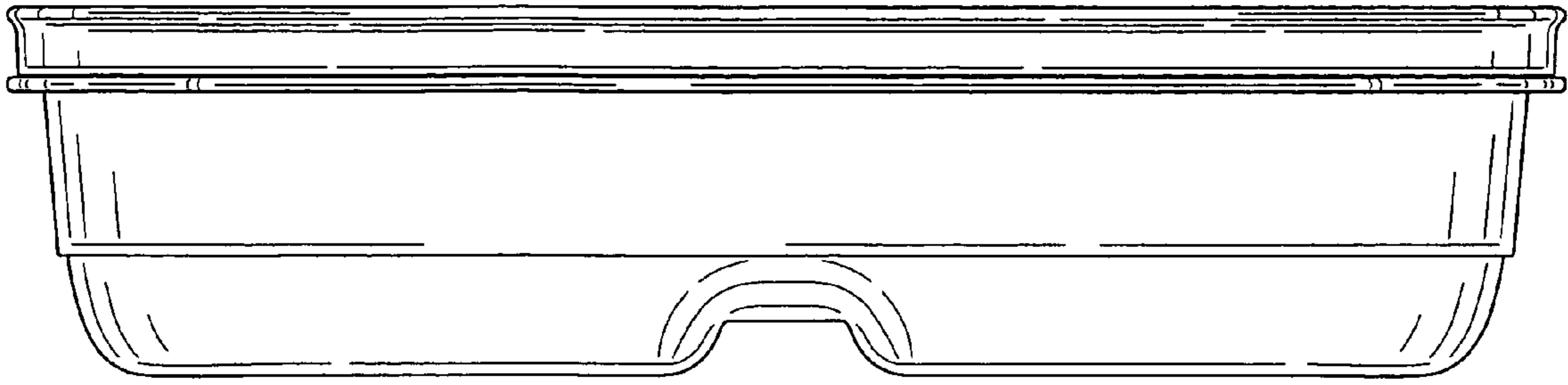


FIG. 6

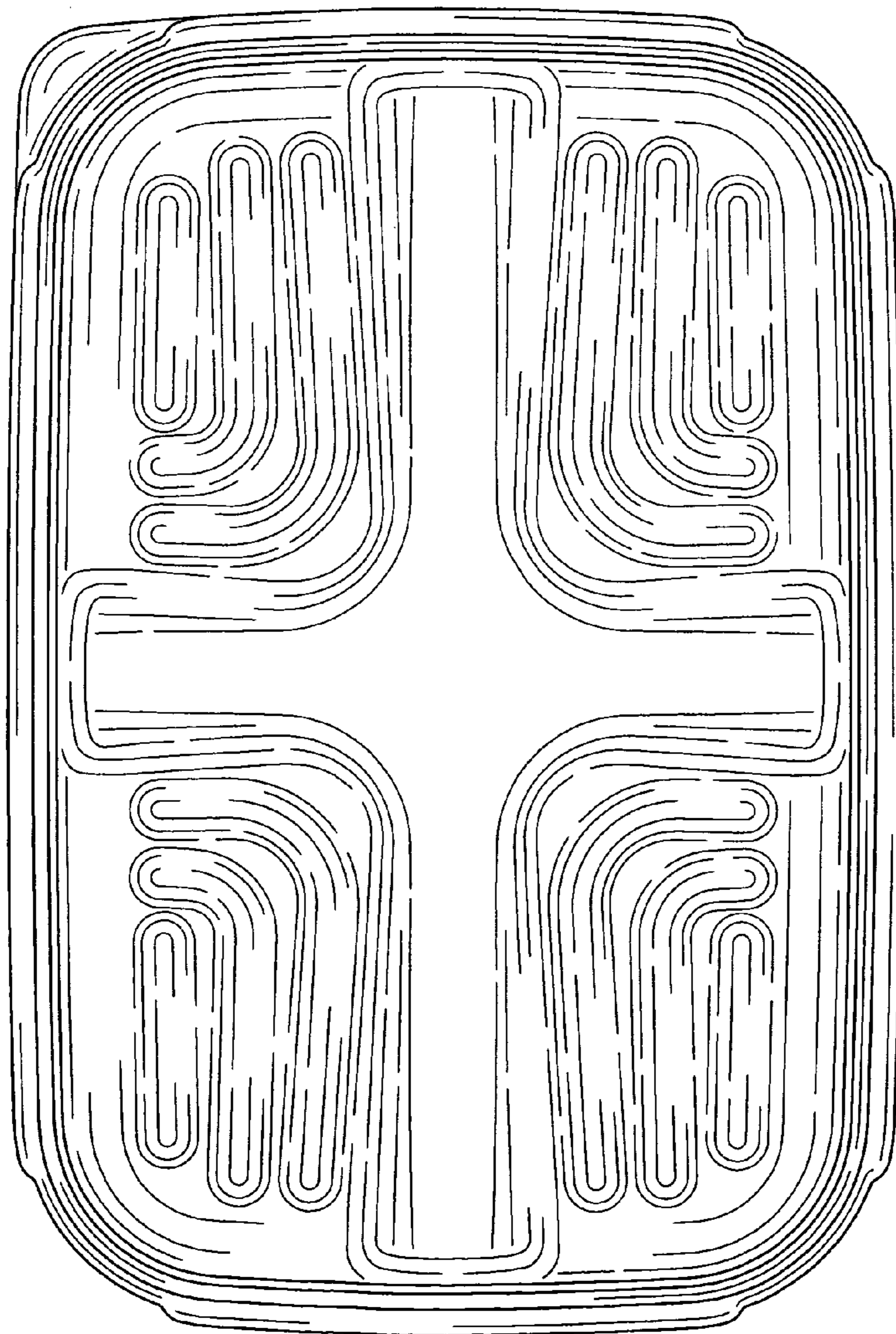


FIG. 8

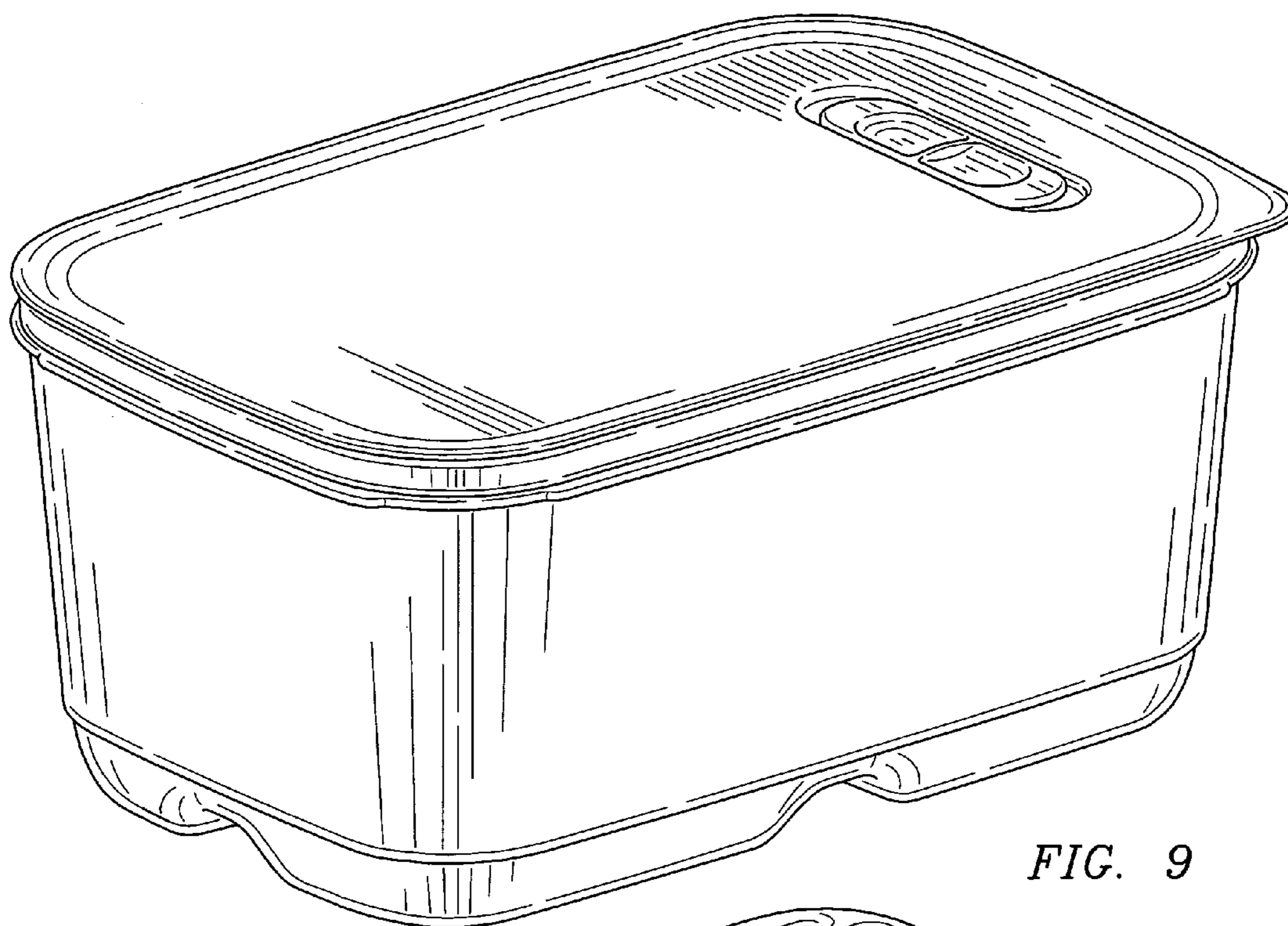


FIG. 9

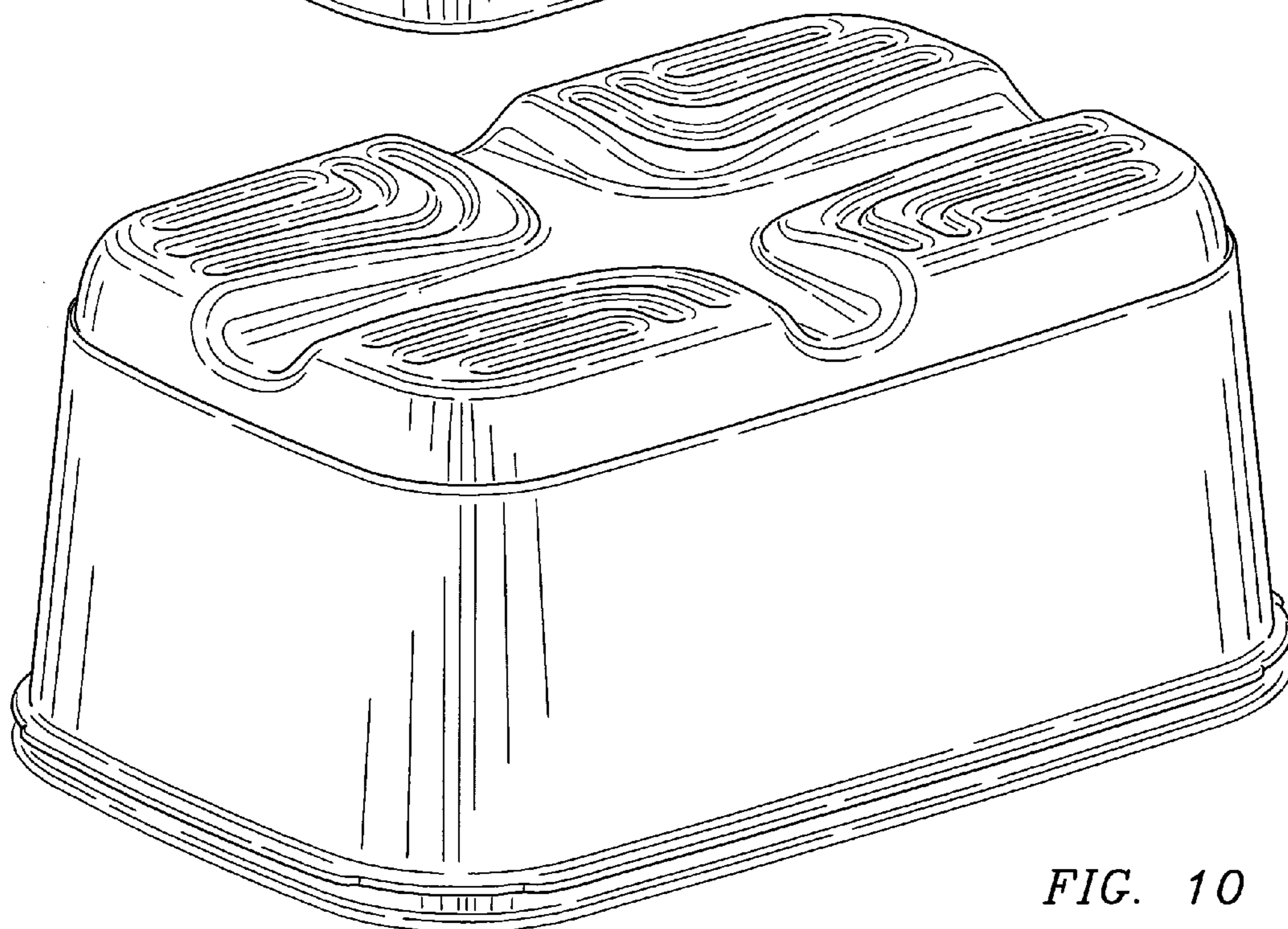
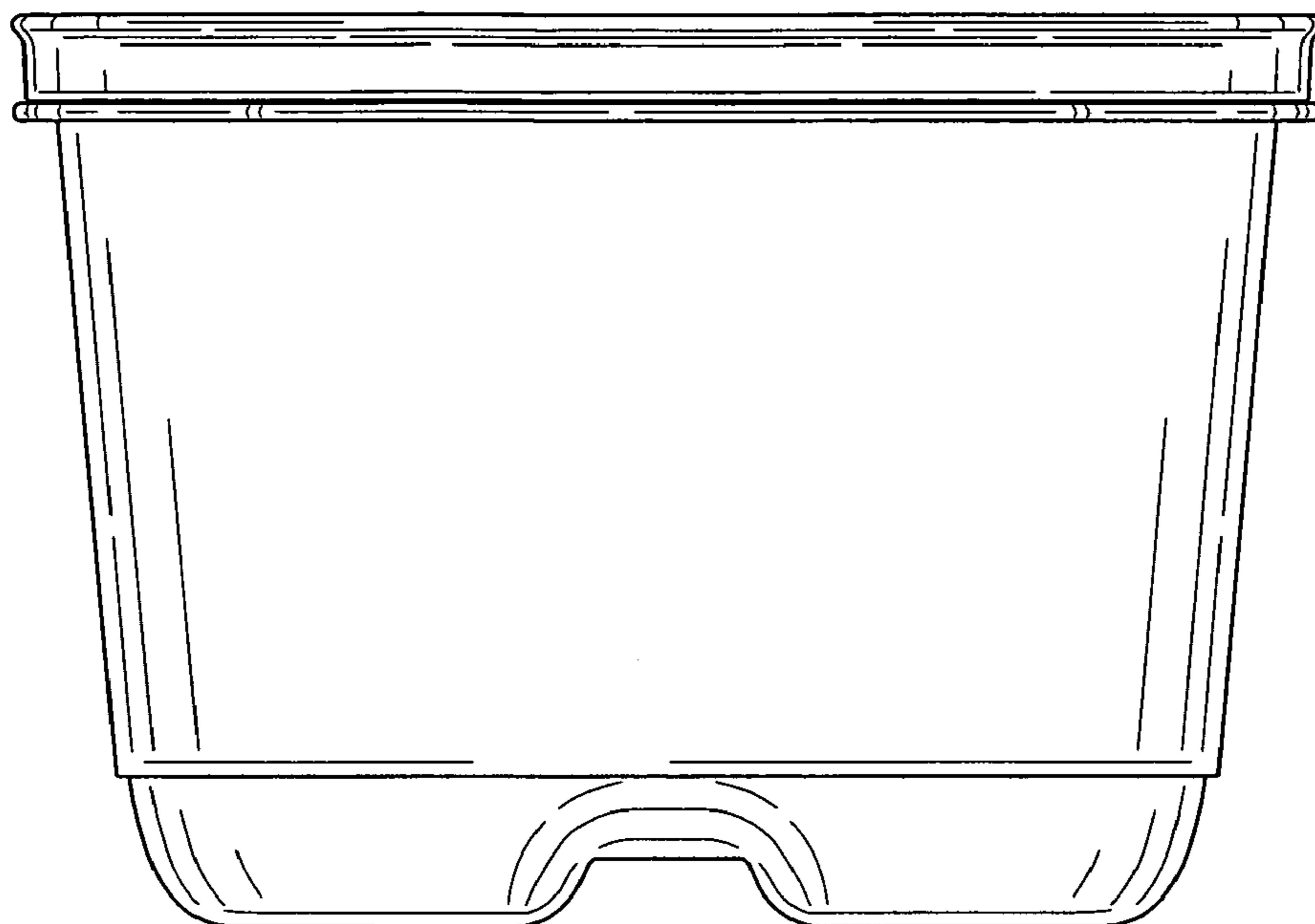
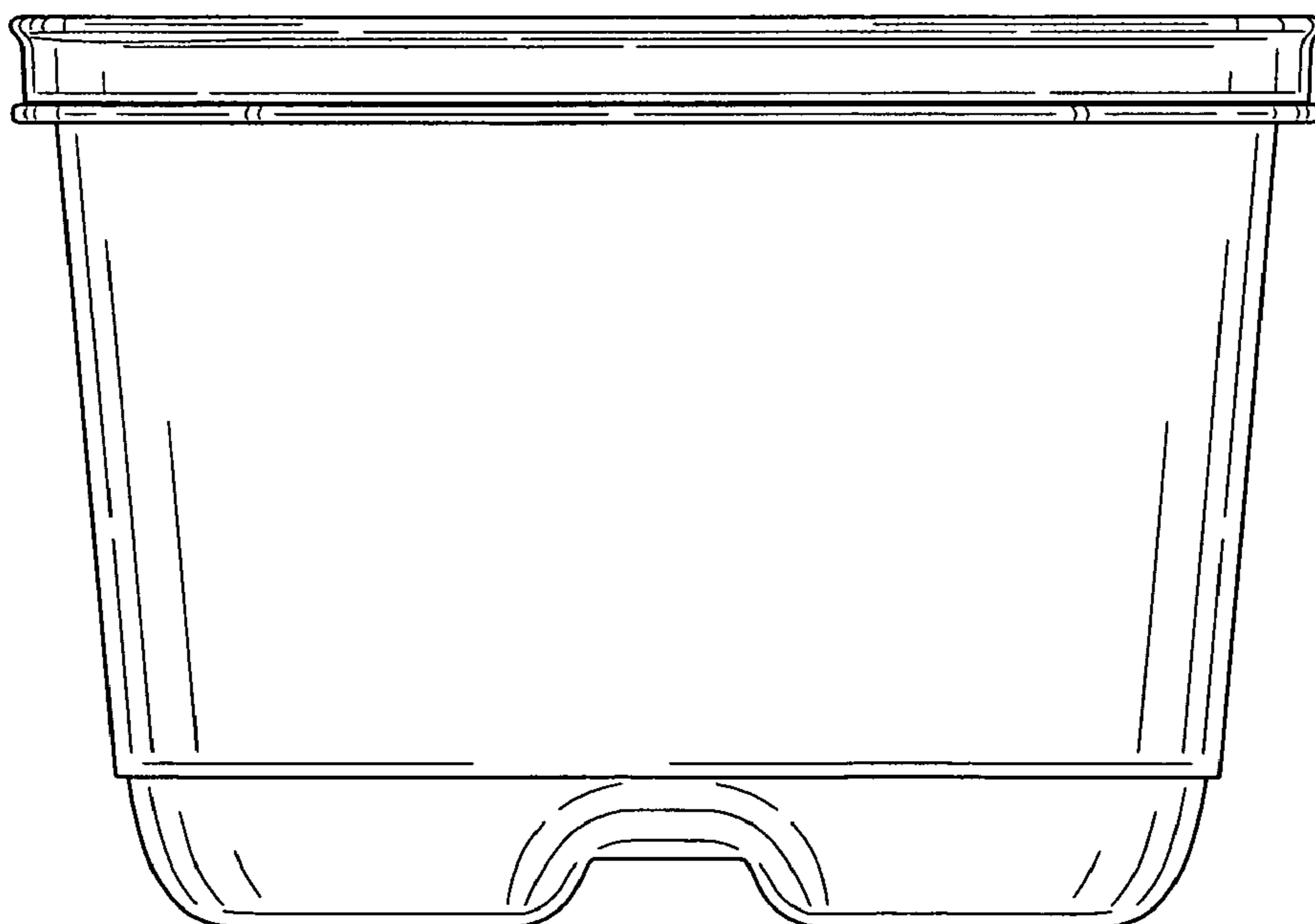


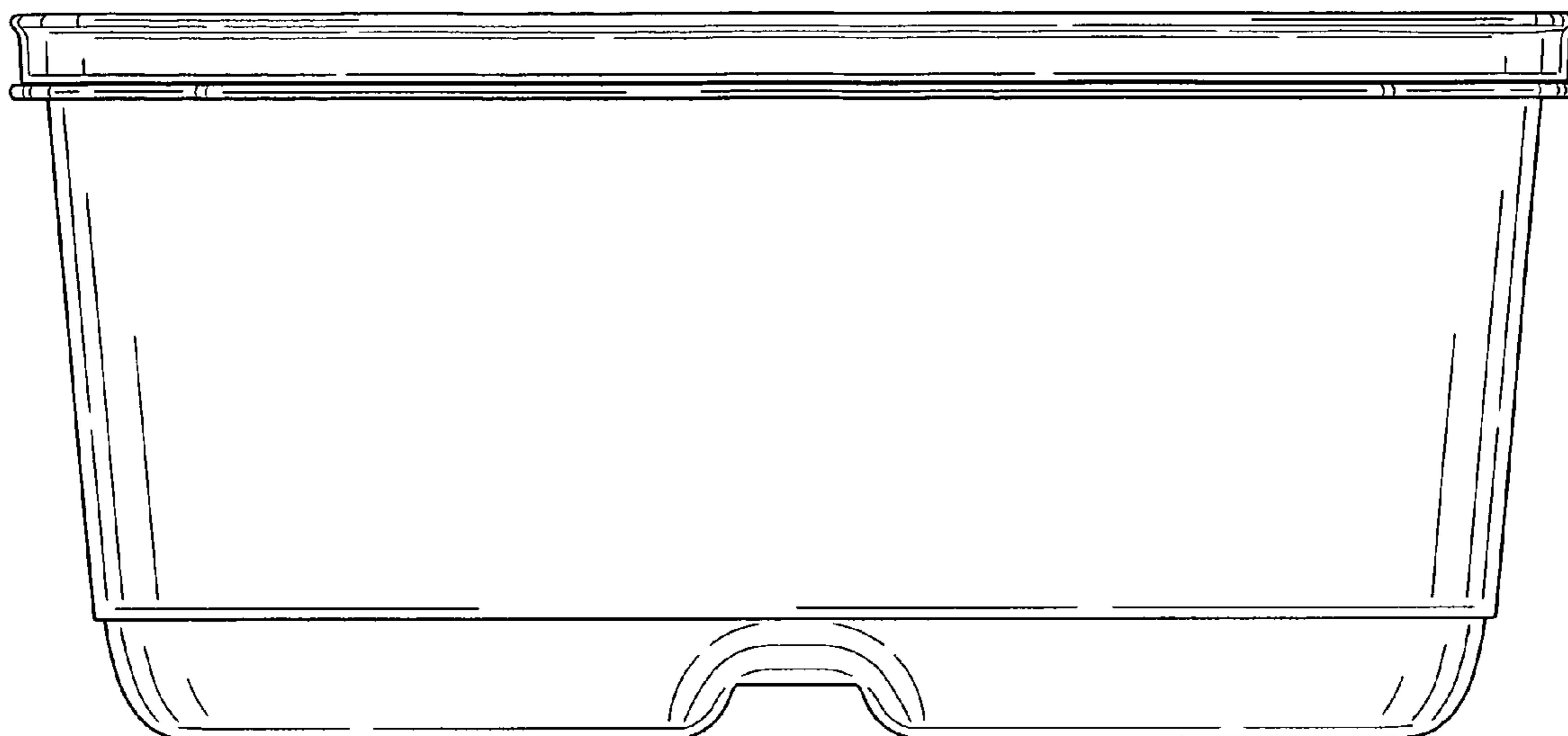
FIG. 10



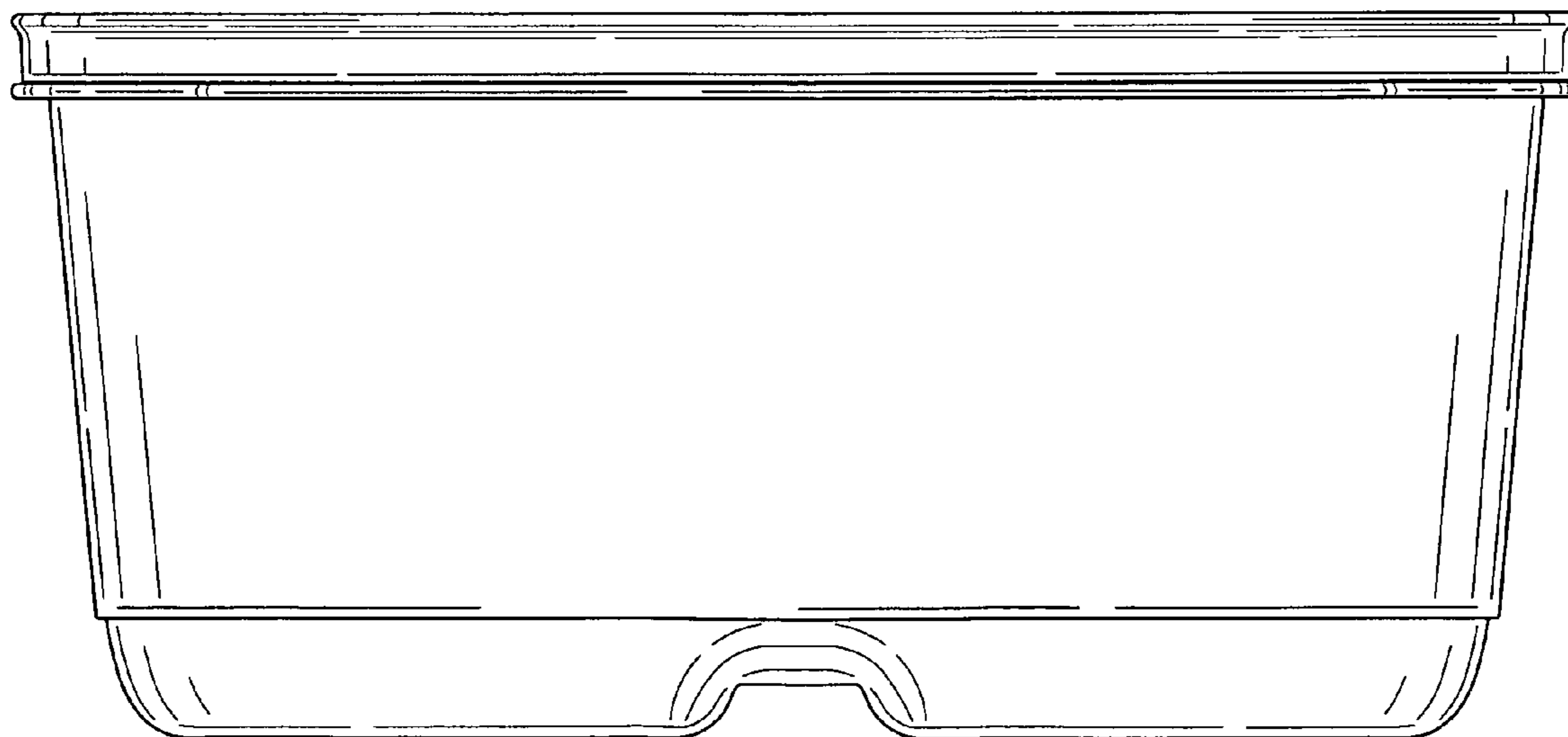
*FIG. 11*



*FIG. 12*

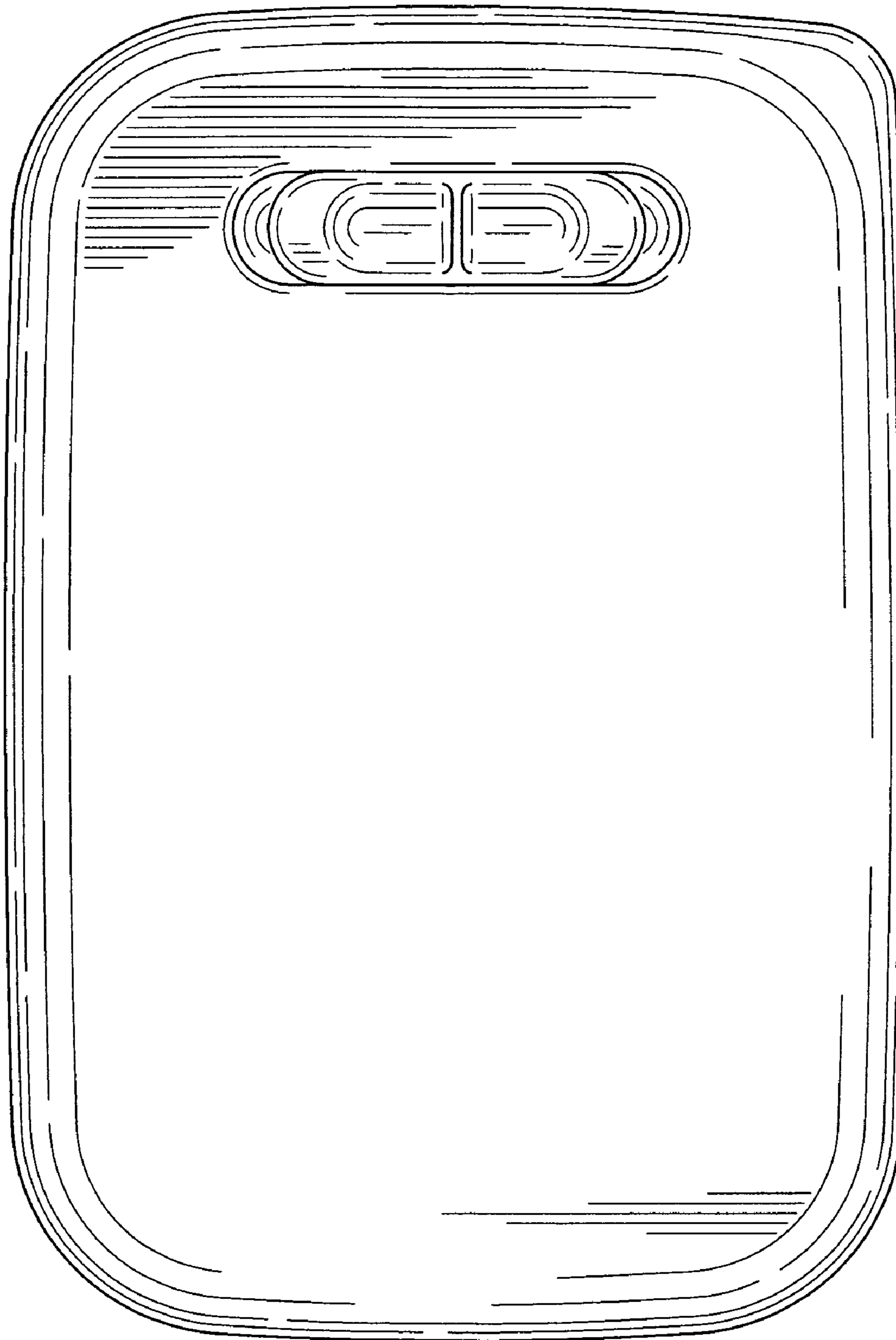


*FIG. 13*



*FIG. 14*





*FIG. 15*

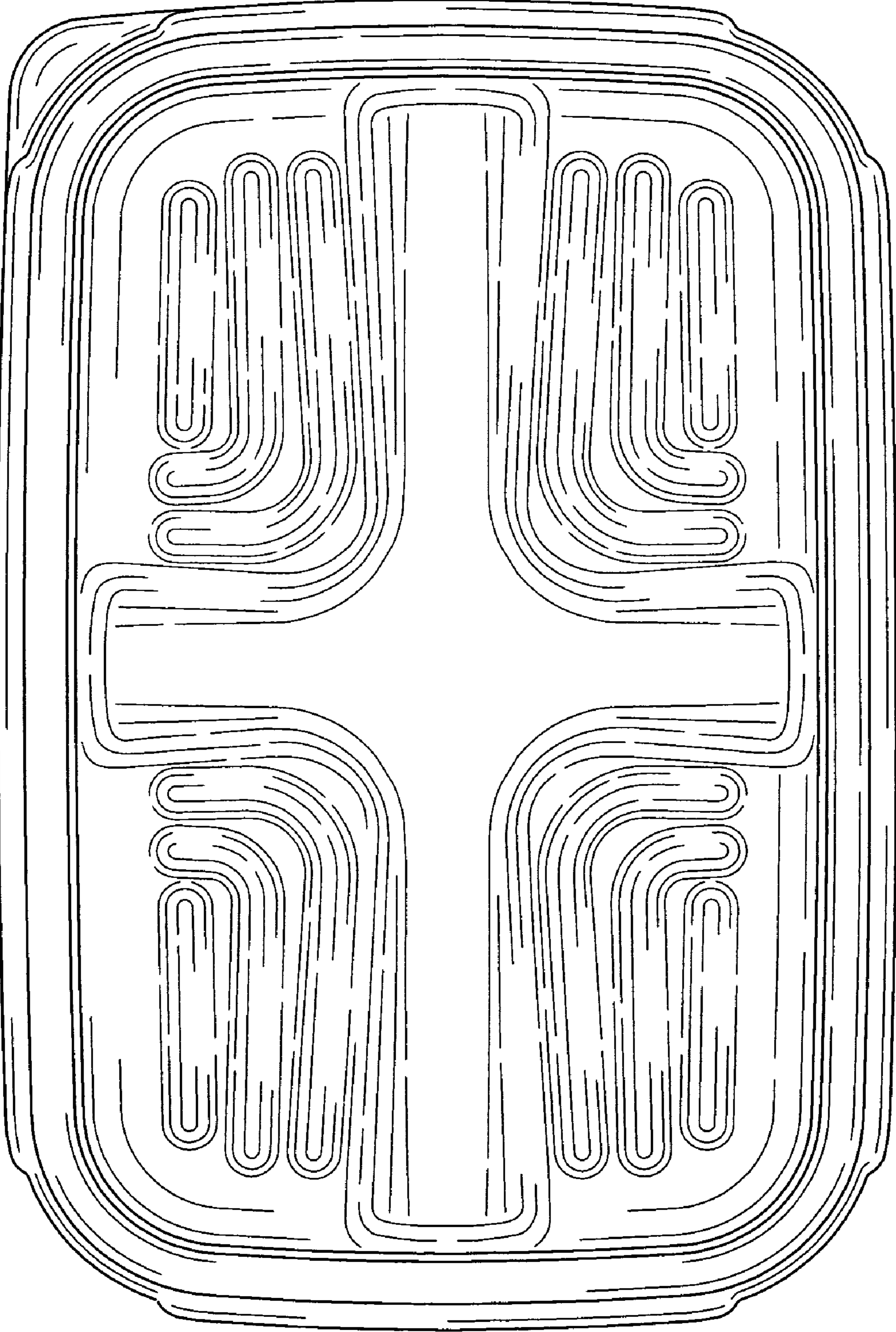


FIG. 16