

US00D676284S

(12) **United States Design Patent**
Pallotto

(10) **Patent No.:** **US D676,284 S**
(45) **Date of Patent:** **** Feb. 19, 2013**

- (54) **COVERED CONTAINER**
- (75) Inventor: **Simone Pallotto**, Etterbeek (BE)
- (73) Assignee: **Dart Industries Inc.**, Orlando, FL (US)
- (**) Term: **14 Years**
- (21) Appl. No.: **29/395,854**
- (22) Filed: **Apr. 12, 2012**
- (51) **LOC (9) Cl.** **07-07**
- (52) **U.S. Cl.** **D7/629**
- (58) **Field of Classification Search** D7/602,
D7/629, 630, 538-542, 584, 586, 587; D9/424-432;
220/780-806, 675, 574-575, 236, 326, 324,
220/4.23-4.25
See application file for complete search history.

- D545,117 S 6/2007 Chiang et al.
- D567,091 S 4/2008 Glydon et al.
- D582,218 S * 12/2008 Curtin D7/629
- D584,110 S * 1/2009 Hauser D7/629
- 7,487,881 B2 2/2009 Watzke et al.
- D604,120 S * 11/2009 Curtin D7/629
- D611,769 S * 3/2010 Hauser D7/584
- D613,598 S * 4/2010 Westphal D7/584
- D614,453 S * 4/2010 Curtin et al. D7/629
- D615,363 S 5/2010 Lion et al.
- D629,264 S * 12/2010 Curtin D7/665
- D641,215 S 7/2011 Heiberg et al.
- D641,217 S 7/2011 Chen et al.
- 2009/0108005 A1 4/2009 Watzke et al.

OTHER PUBLICATIONS

- 2010 Tupperware Mexico Catalog, p. 5, Product Item Nos. F-104 and F-412.
- 2011 Tupperware U.S. Catalog, pp. 4 and 5, Product Item Nos. d, e and f.

* cited by examiner

Primary Examiner — Terry Wallace
(74) *Attorney, Agent, or Firm* — John A. Doninger

(56) **References Cited**

U.S. PATENT DOCUMENTS

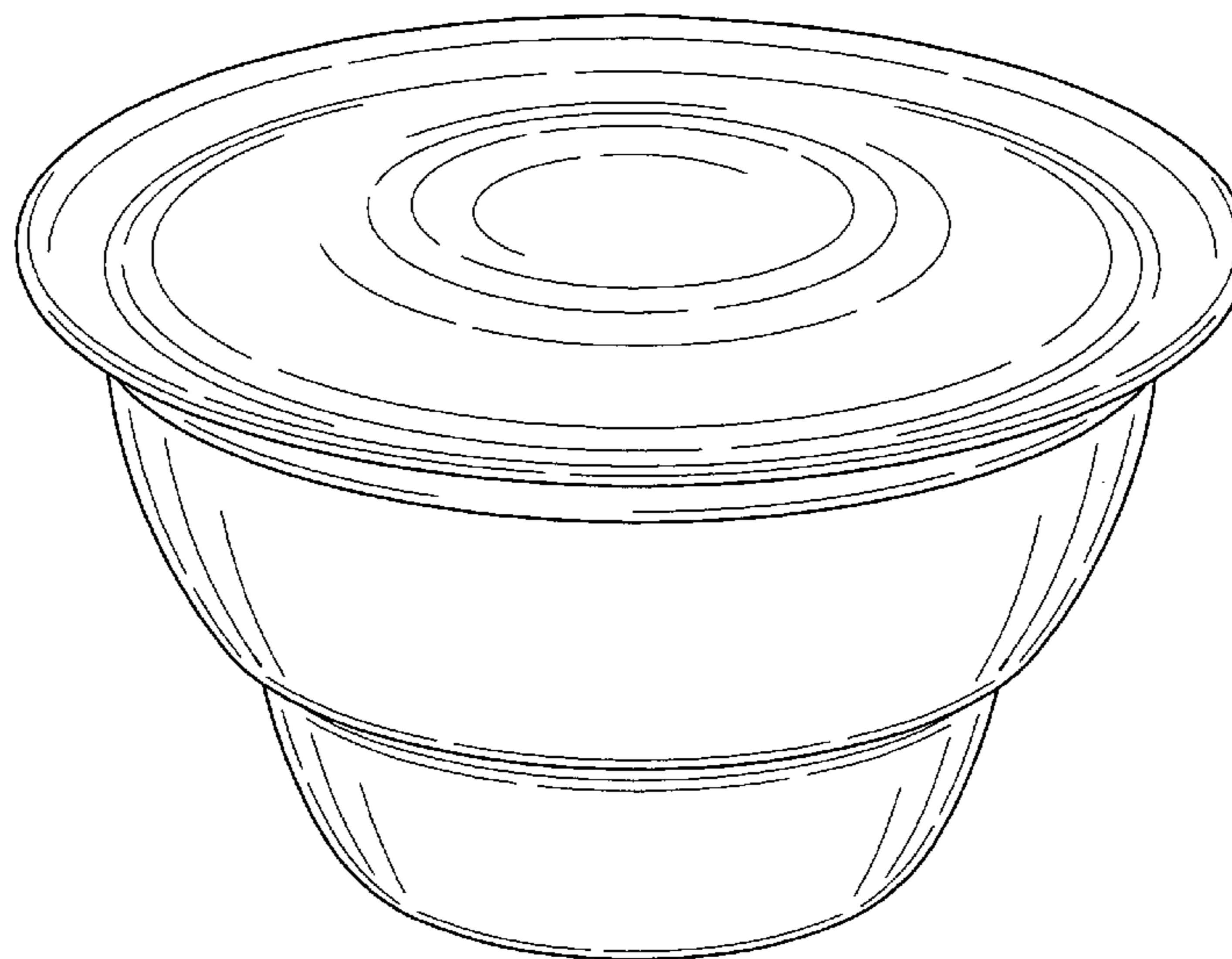
- D110,902 S 8/1938 Loesch
- D189,393 S 12/1960 Schlumbohm
- 3,040,897 A 6/1962 Holman
- 3,565,281 A 2/1971 Collie
- D257,930 S 1/1981 Conti
- D257,931 S 1/1981 Conti
- D257,933 S 1/1981 Conti
- D272,213 S 1/1984 Daenen
- D344,210 S * 2/1994 Cousins et al. D7/538
- 5,871,116 A 2/1999 Picchiatti
- D413,489 S * 9/1999 Miller D7/629
- D416,754 S 11/1999 Laib
- RE36,554 E 2/2000 Chedville
- D422,180 S 4/2000 Sundberg
- D448,619 S 10/2001 Pau
- 6,367,409 B1 4/2002 Broom
- D480,264 S 10/2003 de Groote et al.
- D509,106 S 9/2005 de Groote et al.
- D533,394 S 12/2006 Chiang et al.
- D533,405 S 12/2006 Barducci
- D536,217 S 2/2007 Epstein

(57) **CLAIM**
The ornamental design for a covered container, as shown and described.

DESCRIPTION

FIG. 1 is a top, side and front perspective view of a covered container showing my/our new design;
FIG. 2 is a front elevation view, the rear elevation being identical thereto;
FIG. 3 is a right side elevation view, the left side elevation being identical thereto;
FIG. 4 is a top plan view thereof;
FIG. 5 is a bottom plan view thereof; and,
FIG. 6 is a cross-sectional view taken along line 6-6 of FIG. 4.

1 Claim, 4 Drawing Sheets



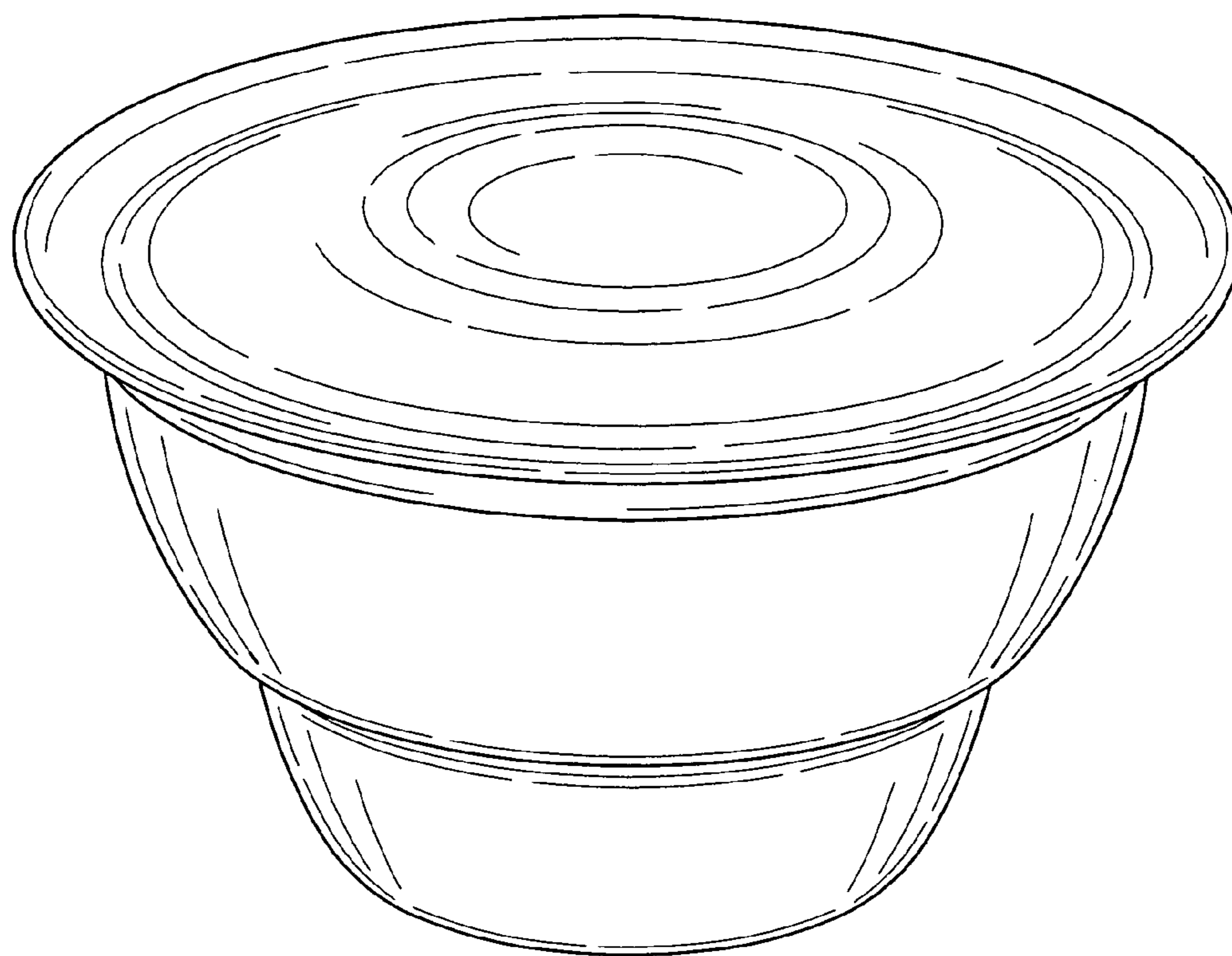


FIG. 1

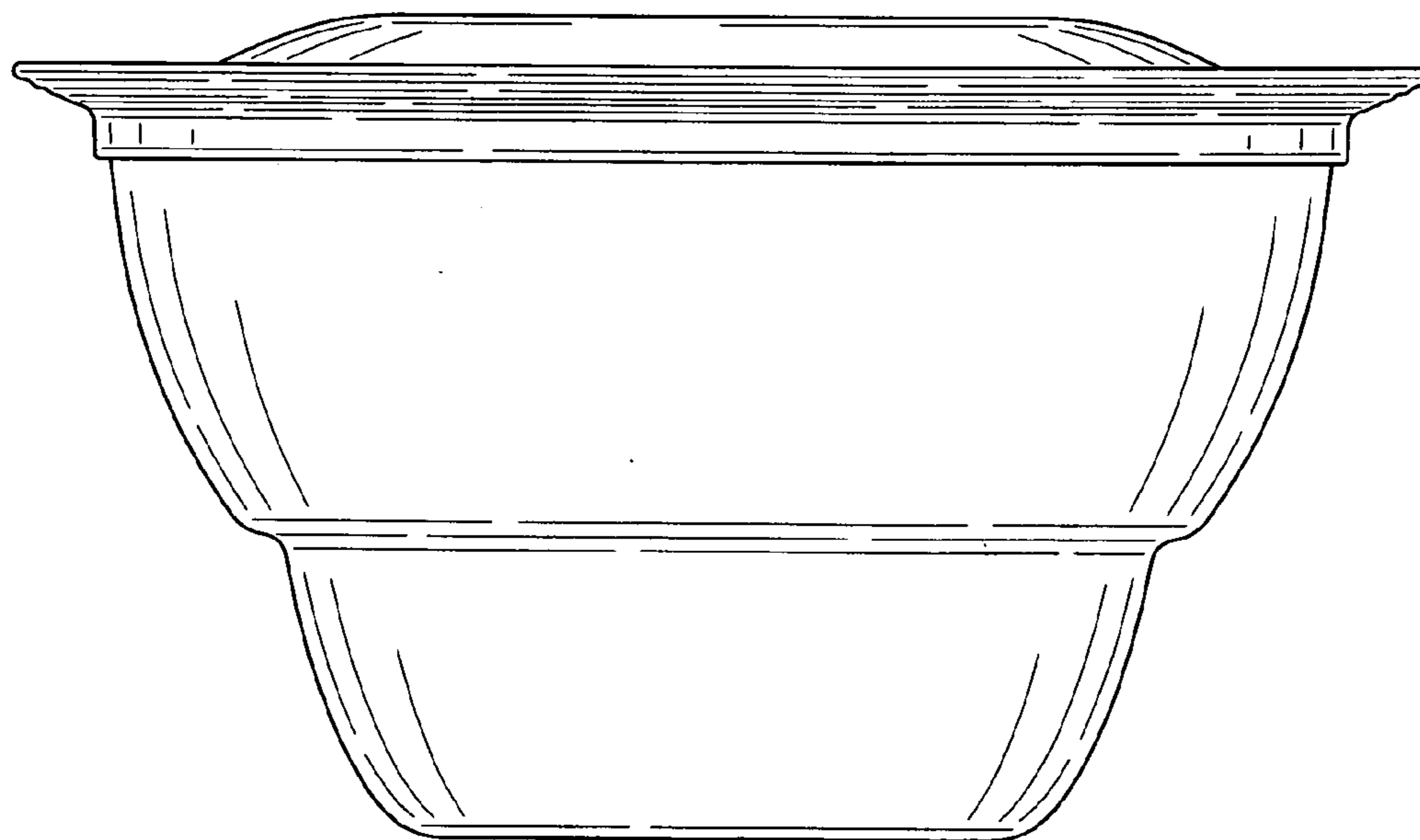


FIG. 2

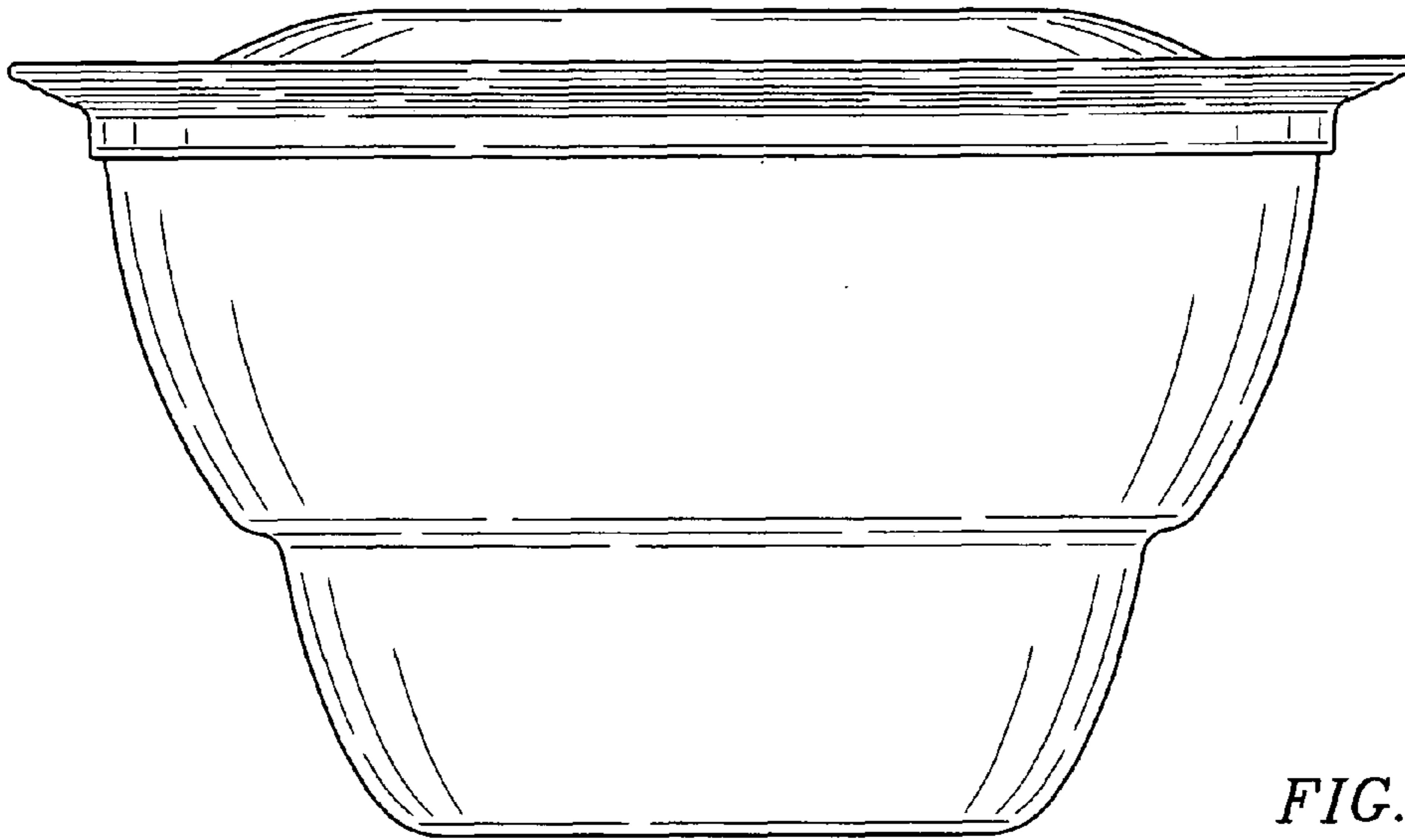


FIG. 3

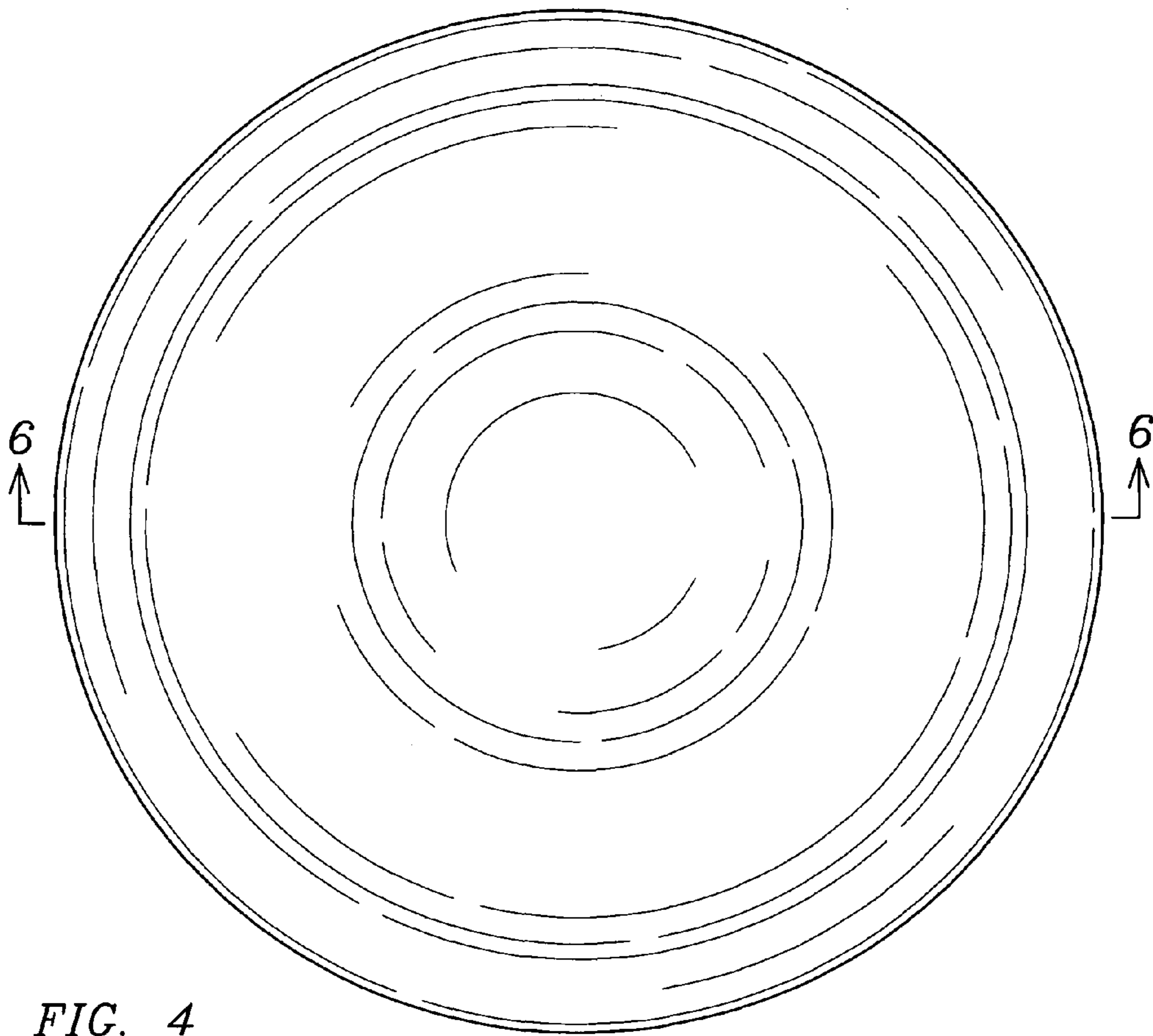


FIG. 4

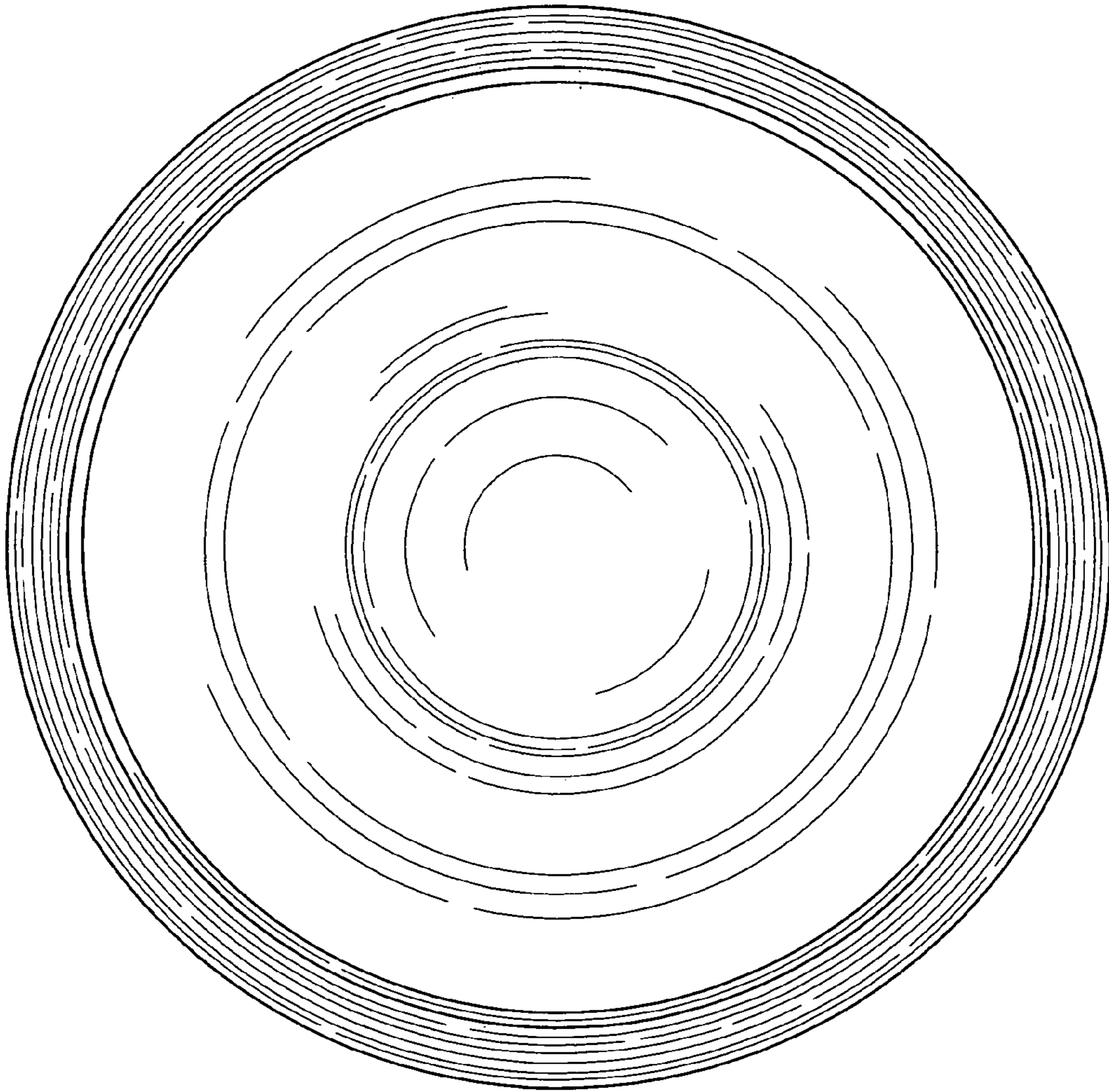


FIG. 5

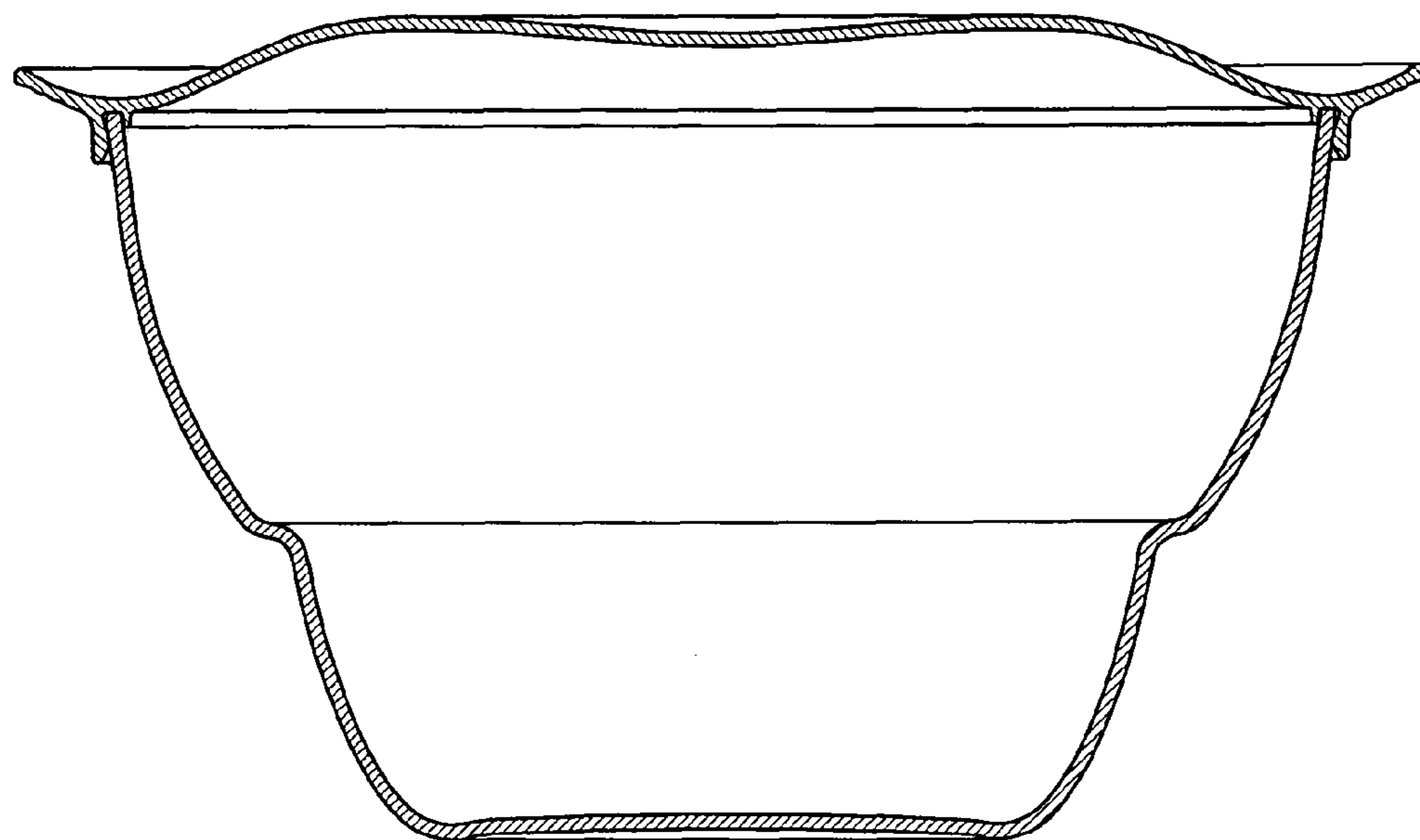


FIG. 6