



US00D676281S

(12) **United States Design Patent**
Mullen

(10) **Patent No.:** **US D676,281 S**

(45) **Date of Patent:** **** Feb. 19, 2013**

(54) **POT PORTER**

(76) Inventor: **Wilveria R. Mullen**, Baltimore, MD
(US)

(**) Term: **14 Years**

(21) Appl. No.: **29/420,648**

(22) Filed: **May 11, 2012**

(51) **LOC (9) Cl.** **07-99**

(52) **U.S. Cl.** **D7/601; D7/607**

(58) **Field of Classification Search** D7/387,
D7/368, 669, 601, 607; D29/119; 62/560,
62/372; 150/154, 105; 383/110, 121.1, 2,
383/6, 98, 13, 15

See application file for complete search history.

D371,051 S	6/1996	Melk	
5,800,061 A	9/1998	Volles	
D433,196 S *	10/2000	Specht	D29/119
D449,441 S	10/2001	Jackson et al.	
6,439,452 B1	8/2002	Tsao	
D522,811 S	6/2006	Martinez et al.	
7,103,944 B2 *	9/2006	Johnson	220/315
7,153,025 B1	12/2006	Jackson et al.	
D583,629 S *	12/2008	Sgrillo	D7/607
2007/0053618 A1 *	3/2007	Schoening	383/110

* cited by examiner

Primary Examiner — Terry Wallace

(74) *Attorney, Agent, or Firm* — Buckingham, Doolittle & Burroughs, LLP

(57) **CLAIM**

I claim the ornamental design for a pot porter, as shown and described.

DESCRIPTION

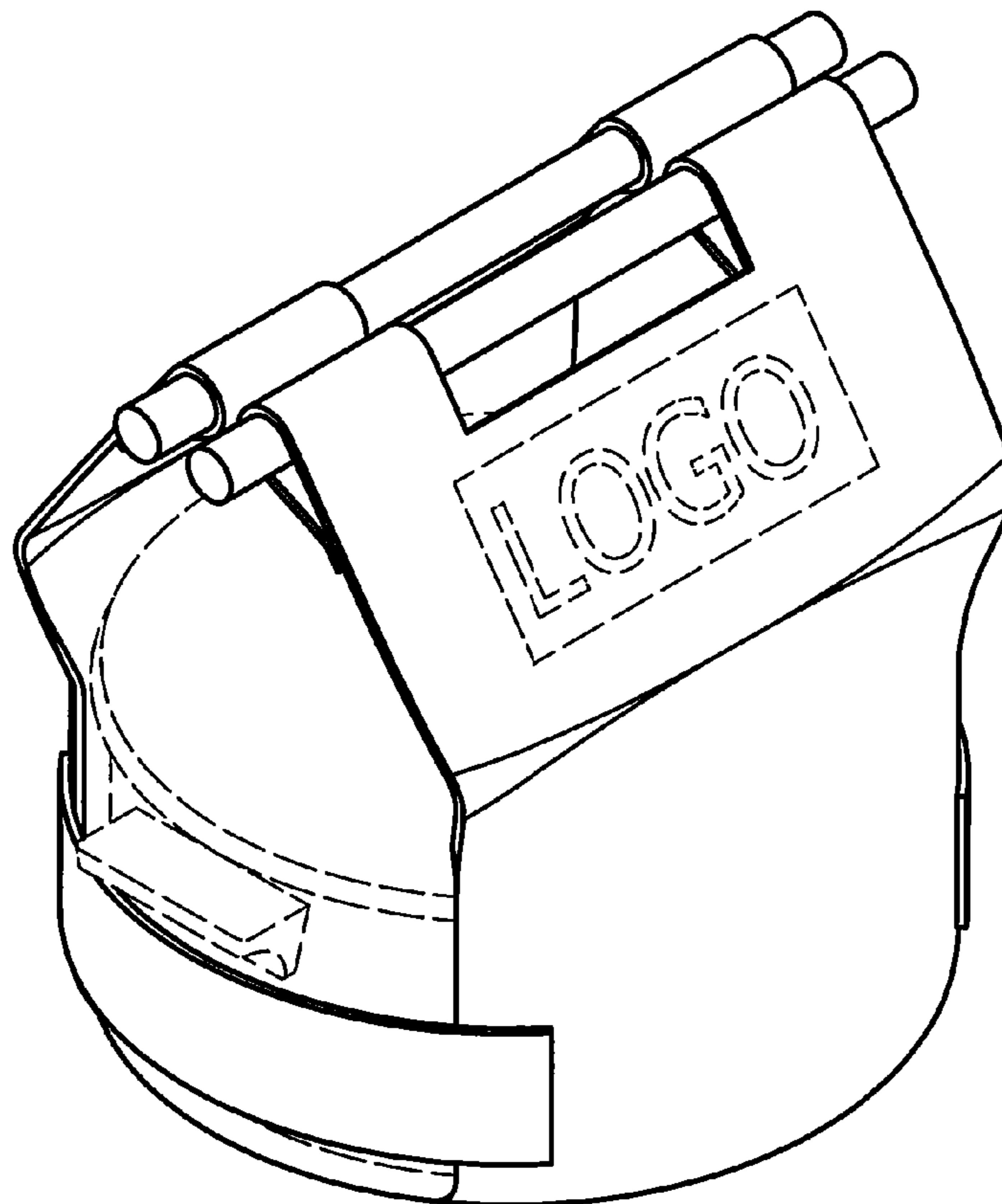
FIG. 1 is a perspective view of the pot porter;
FIG. 2 is a right side view thereof;
FIG. 3 is a left side view thereof;
FIG. 4 is a front elevational view thereof;
FIG. 5 is a back elevational view thereof;
FIG. 6 is a top view thereof; and,
FIG. 7 is a bottom view thereof.
The broken lines are for illustrative purposes only and from no part of the claimed design.

1 Claim, 7 Drawing Sheets

(56) **References Cited**

U.S. PATENT DOCUMENTS

2,353,932 A *	7/1944	Schaffer	132/312
2,436,237 A *	2/1948	Brandt	383/13
3,262,283 A *	7/1966	Taylor	383/13
3,314,464 A *	4/1967	Veilleux	150/154
3,507,312 A *	4/1970	Petersen	383/6
D262,177 S *	12/1981	Swan	D7/607
D267,427 S *	12/1982	Christensen et al.	D24/189
4,578,814 A	3/1986	Skamser	
4,802,233 A	1/1989	Skamser	
4,806,736 A	2/1989	Schirico	
D321,306 S	11/1991	Behar	



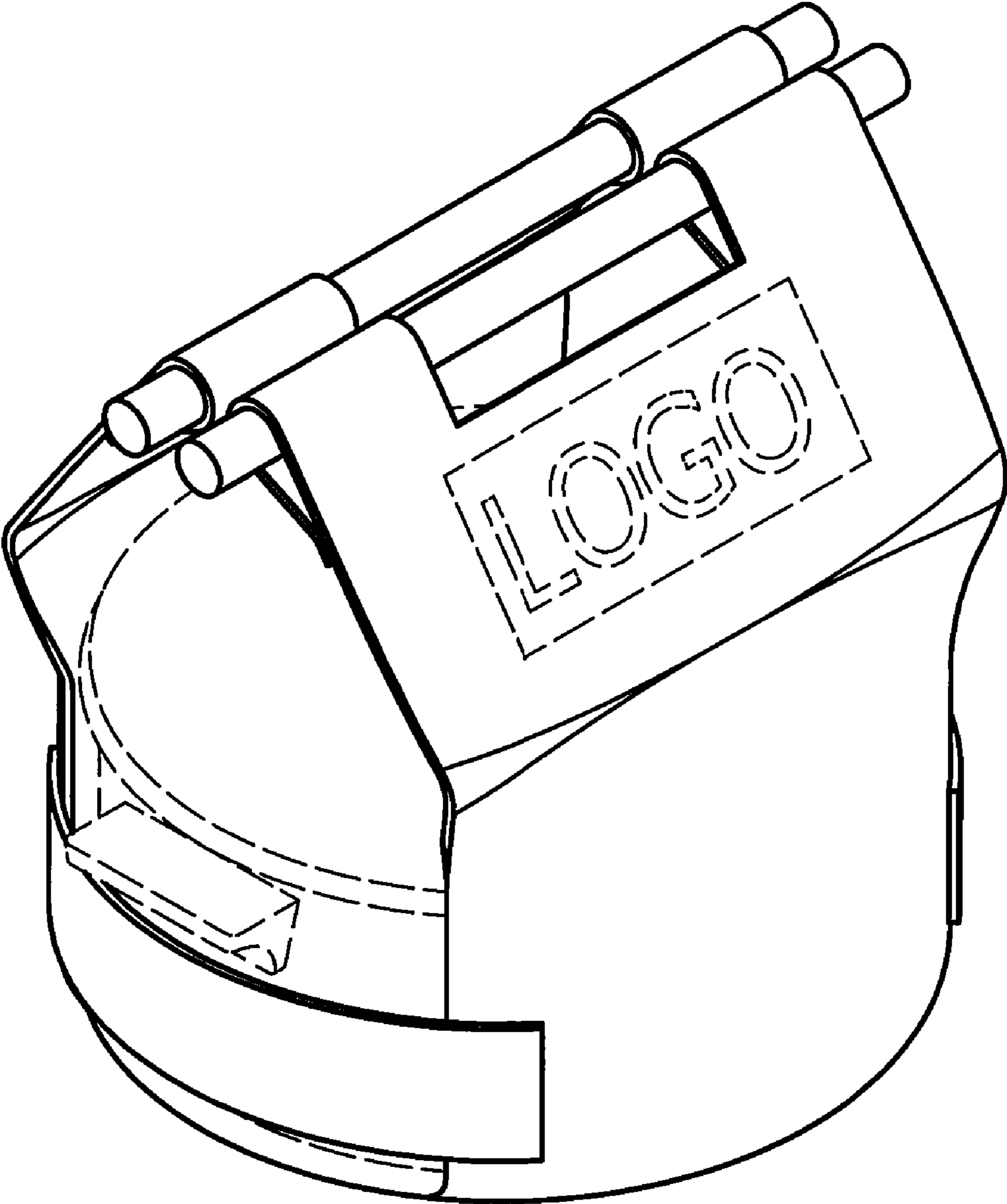


FIG. 1

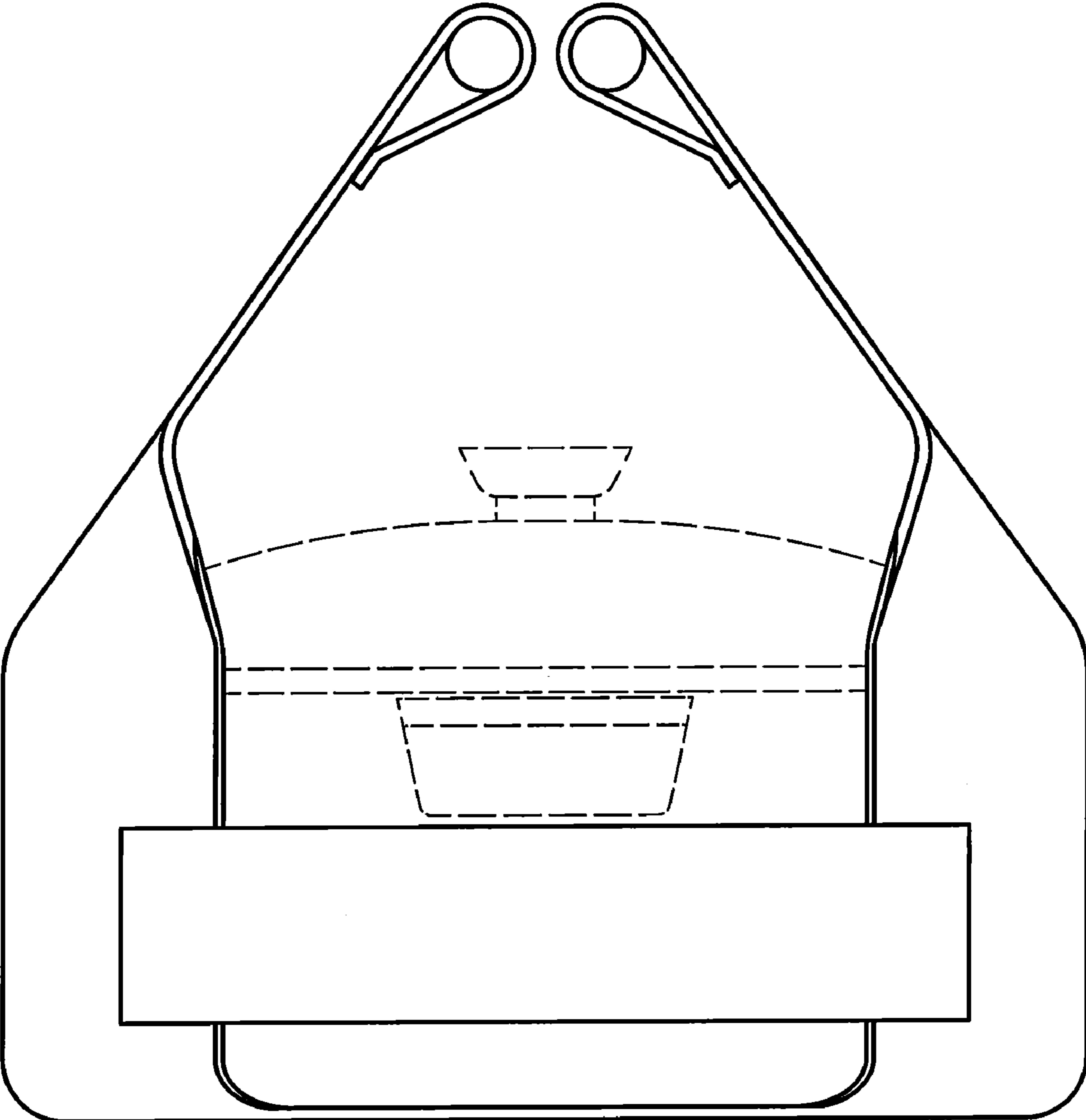


FIG. 2

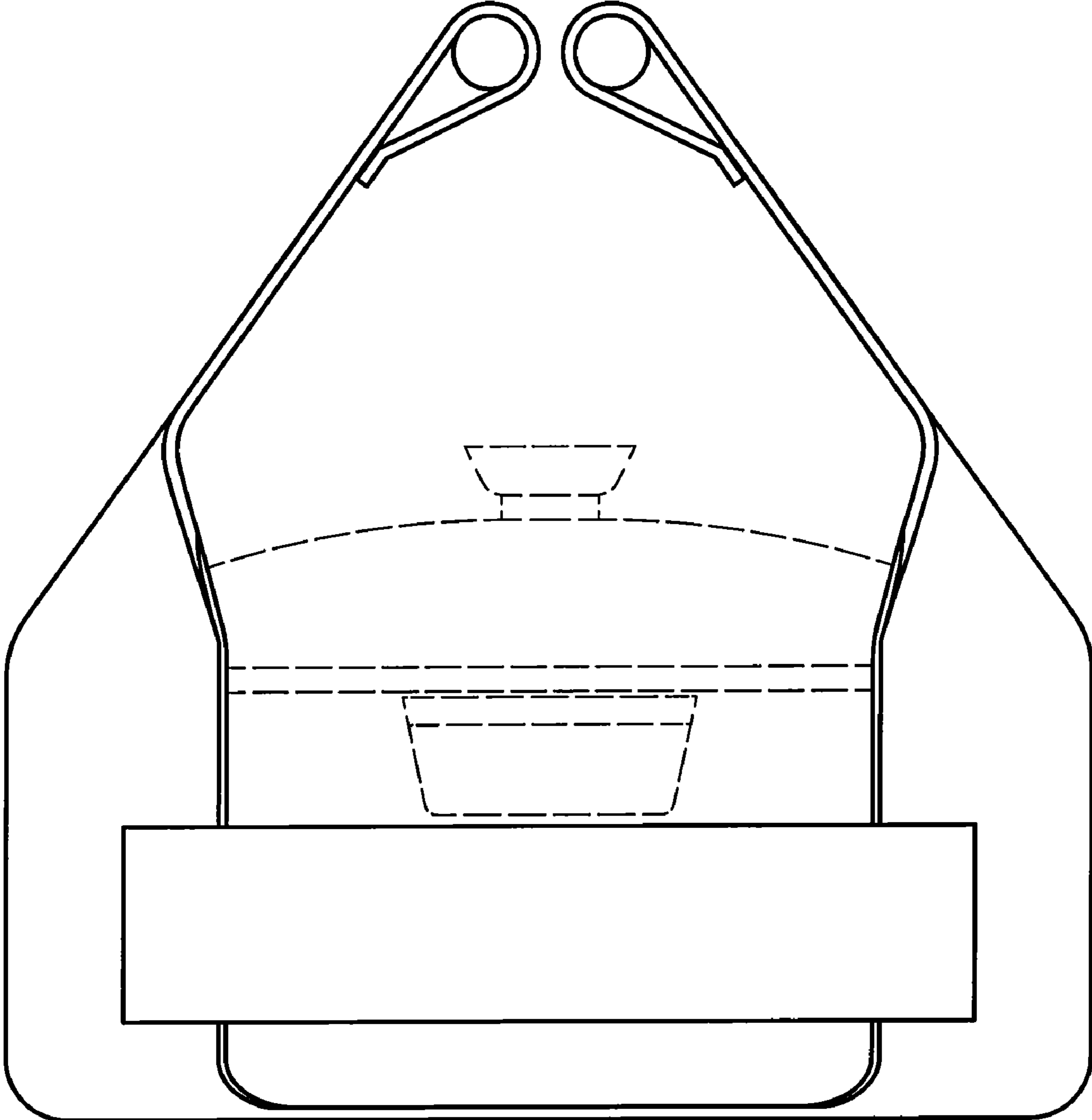


FIG. 3

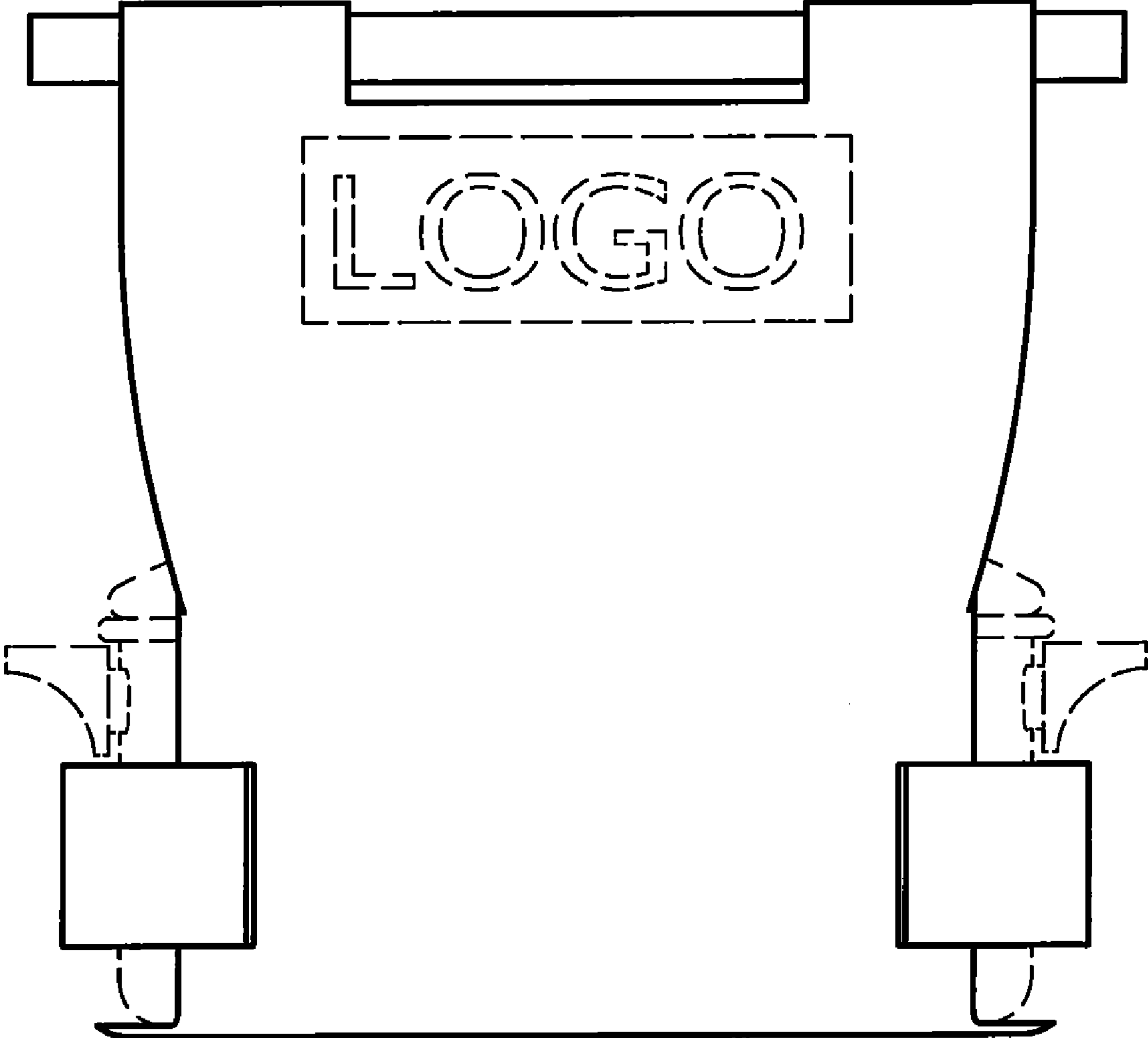


FIG. 4

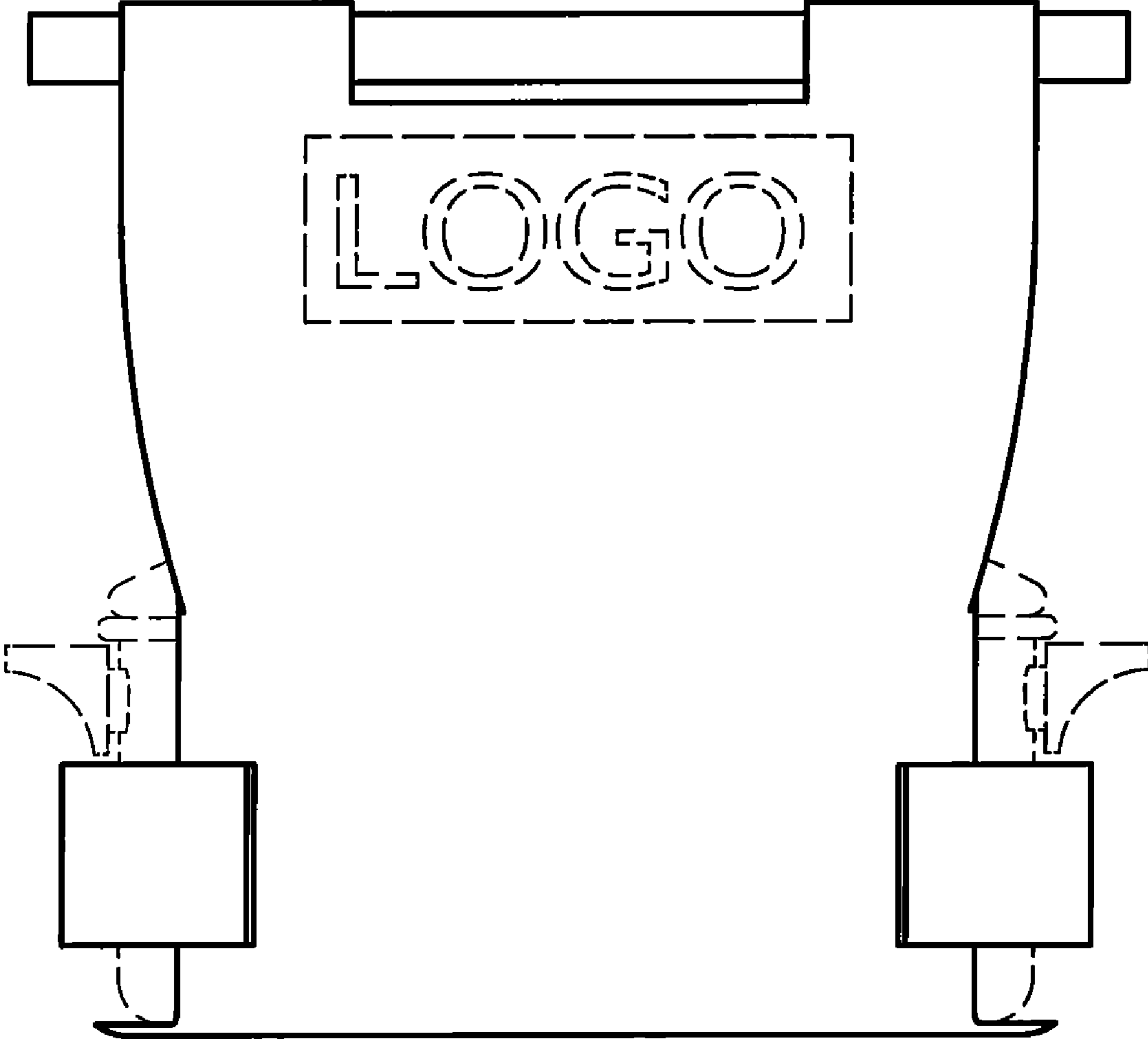


FIG. 5

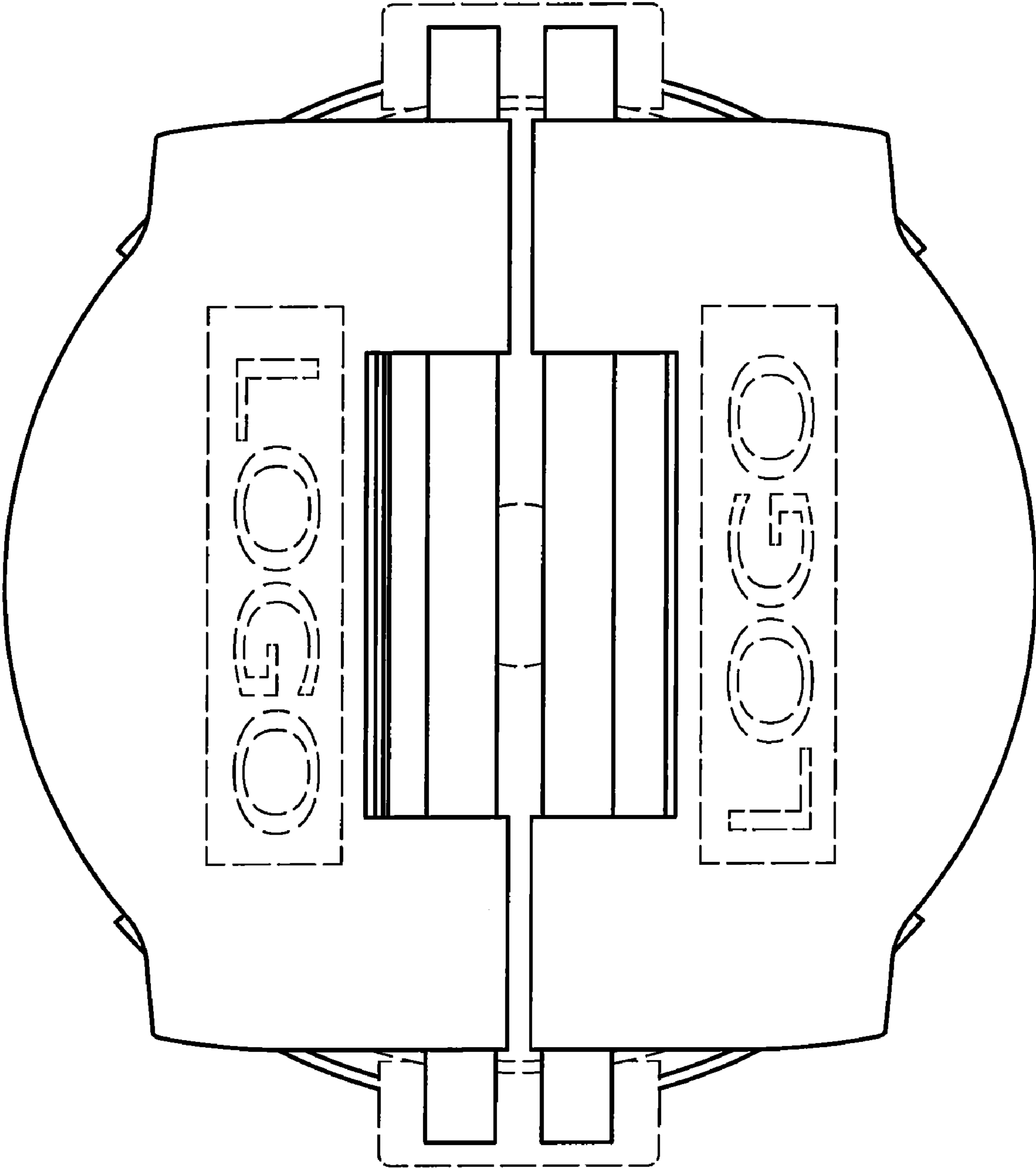


FIG. 6

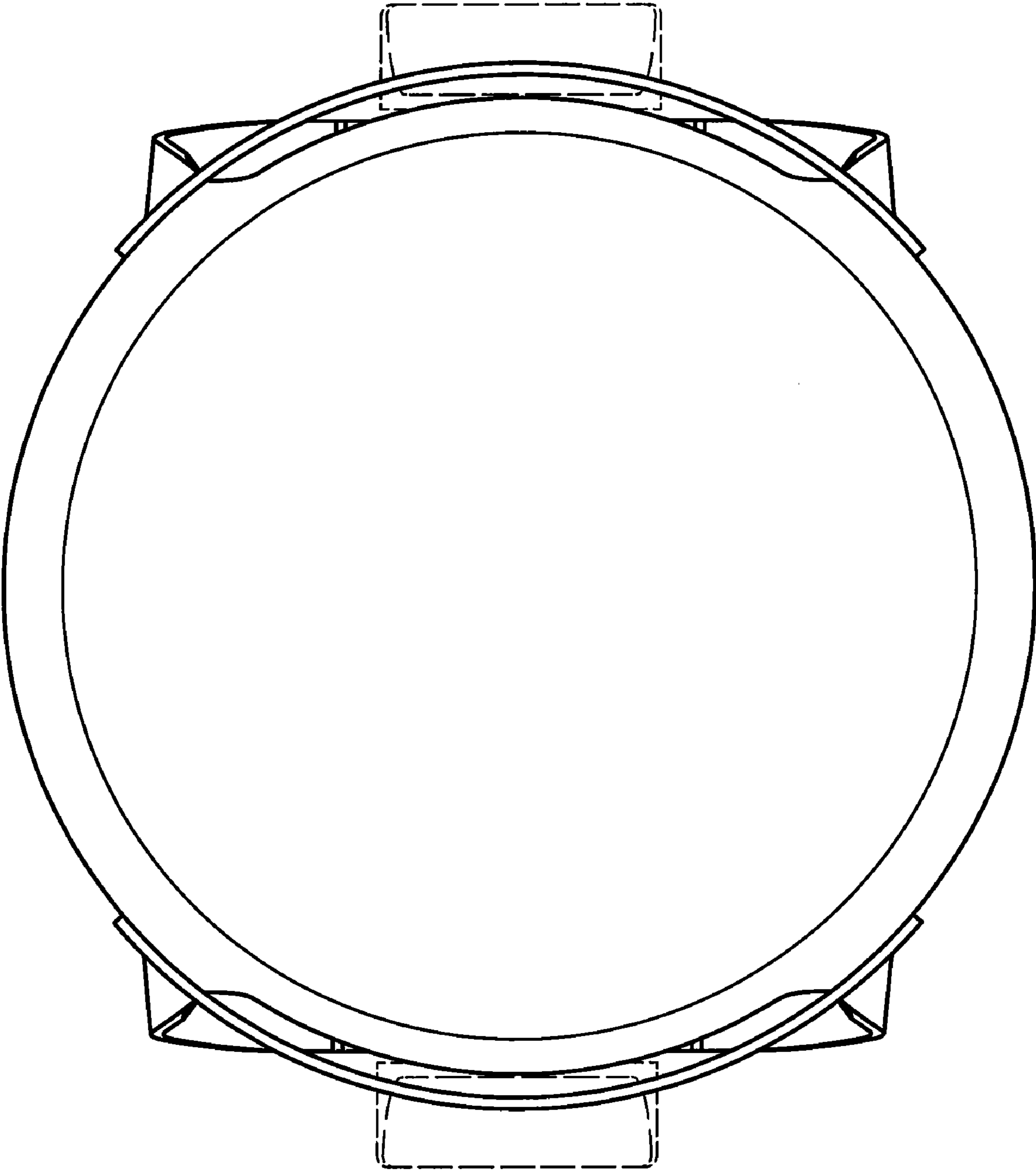


FIG. 7