



US00D676277S

(12) **United States Design Patent**
Riedel et al.

(10) **Patent No.:** **US D676,277 S**

(45) **Date of Patent:** **** Feb. 19, 2013**

(54) **CUP**

(75) Inventors: **Richard P. Riedel**, Blaine, MN (US);
Amanda Miller, Minneapolis, MN (US)

(73) Assignee: **Target Brands, Inc.**, Minneapolis, MN (US)

(**) Term: **14 Years**

(21) Appl. No.: **29/430,954**

(22) Filed: **Aug. 31, 2012**

Related U.S. Application Data

(63) Continuation of application No. 29/401,227, filed on Sep. 8, 2011, now Pat. No. Des. 668,914.

(51) **LOC (9) Cl.** **07-01**

(52) **U.S. Cl.** **D7/396.1; D7/510**

(58) **Field of Classification Search** D7/510,
D7/532, 507, 511, 396.1, 509, 900; 215/388,
215/307, 200; 220/574, 711; 206/459.1;
116/307

See application file for complete search history.

(56) **References Cited**

U.S. PATENT DOCUMENTS

3,285,459	A *	11/1966	Gahm	220/8
4,121,835	A	10/1978	Garabedian		
4,273,245	A	6/1981	Hartinger Machalek		
4,508,235	A *	4/1985	Steele et al.	215/307
4,877,119	A	10/1989	Hosking		
5,011,009	A	4/1991	Scheurer		
D340,836	S	11/1993	Cautereels		
5,361,934	A	11/1994	Spence, Jr.		
D354,202	S	1/1995	Smith et al.		
5,400,907	A *	3/1995	Chen	206/459.1
5,644,298	A	7/1997	Brooks et al.		
5,809,674	A	9/1998	Key		
5,839,581	A	11/1998	Vagedes		
5,845,777	A	12/1998	Najmi		
6,129,802	A	10/2000	Key		
6,212,803	B1	4/2001	Key		
D448,244	S *	9/2001	Thomas	D7/510

(Continued)

OTHER PUBLICATIONS

<http://www.google.com>, Internet Search for "Straw Cup" as performed on Jun. 1, 2011, 24 pages.

(Continued)

Primary Examiner — Cynthia Underwood

(74) *Attorney, Agent, or Firm* — Griffiths & Seaton PLLC

(57) **CLAIM**

The ornamental design for a cup, as shown and described.

DESCRIPTION

FIG. 1 is a front, perspective view of a cup showing a first embodiment of our new design;

FIG. 2 is a front view thereof, the rear view being identical to the front view;

FIG. 3 is a right side view thereof, the left side view being identical to the right side view;

FIG. 4 is a top view thereof; and

FIG. 5 is a bottom view thereof.

FIG. 6 is a front, perspective view of a cup showing a second embodiment of our new design;

FIG. 7 is a front view thereof, the rear view being identical to the front view;

FIG. 8 is a right side view thereof, the left side view being identical to the right side view;

FIG. 9 is a top view thereof; and

FIG. 10 is a bottom view thereof.

FIG. 11 is a front, perspective view of a cup showing a third embodiment of our new design;

FIG. 12 is a front view thereof, the rear view being identical to the front view;

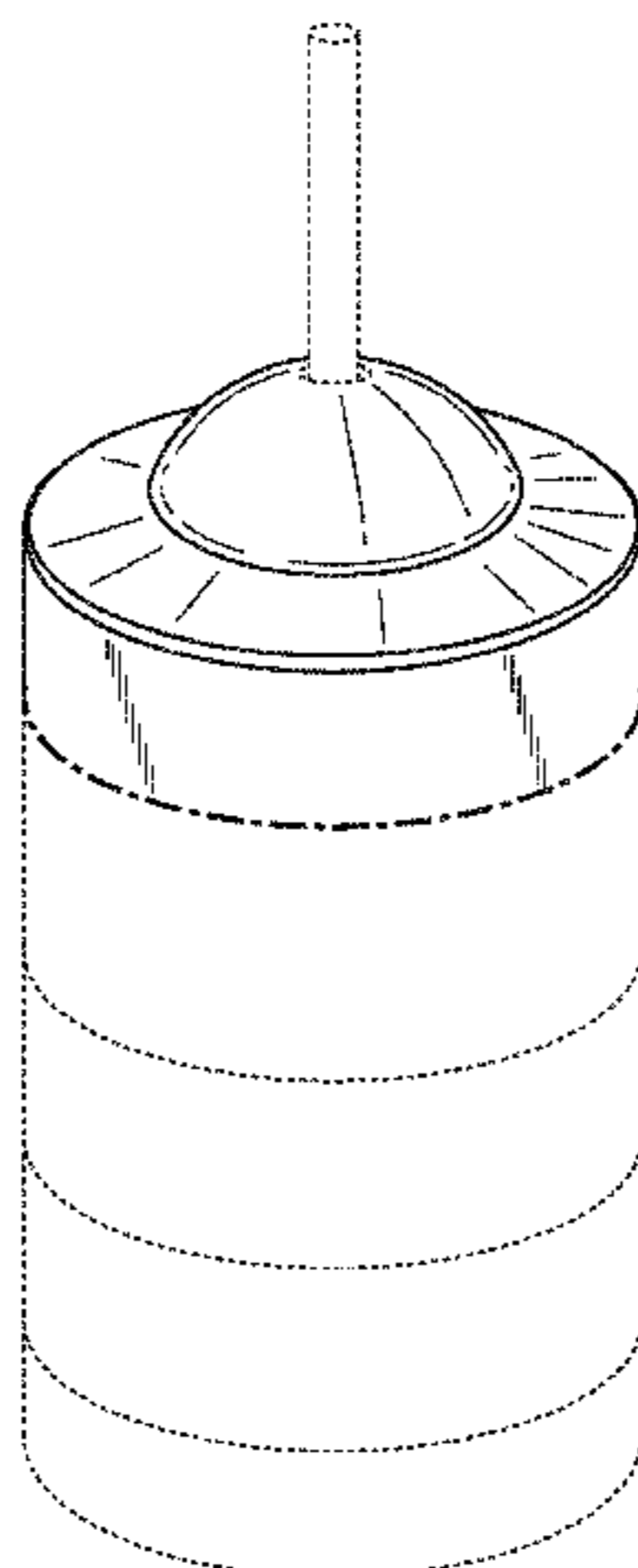
FIG. 13 is a right side view thereof, the left side view being identical to the right side view;

FIG. 14 is a top view thereof; and,

FIG. 15 is a bottom view thereof.

The features shown in long dash-short dash bolded broken lines indicate the bounds of the claimed design and otherwise form no part of the claimed design. Other features shown in broken lines depict environmental subject matter only and form no part of the claimed design.

1 Claim, 12 Drawing Sheets



US D676,277 S

Page 2

U.S. PATENT DOCUMENTS

6,308,846 B1 10/2001 Muller
D454,755 S * 3/2002 Jørgensen D7/510
6,352,168 B1 3/2002 Lin
D461,679 S * 8/2002 Robinson et al. D7/392.1
6,564,962 B1 5/2003 Cheng
D476,193 S 6/2003 Janky
D477,752 S 7/2003 Slater et al.
D481,316 S 10/2003 Hook
D494,064 S 8/2004 Hook
6,921,179 B2 7/2005 Diak Ghanem
D523,333 S * 6/2006 Moretti D9/444
7,172,668 B2 2/2007 Key
D538,597 S * 3/2007 Kim D7/510
D548,534 S 8/2007 Sullivan
D558,515 S 1/2008 Holub
D562,072 S * 2/2008 Wahl D7/510
D580,708 S * 11/2008 George D7/510

D595,540 S 7/2009 Pickering et al.
D608,147 S 1/2010 Sykes
D616,706 S 6/2010 Bofinger et al.
D640,094 S 6/2011 Carlson et al.
D648,985 S 11/2011 Chiu et al.
8,074,594 B2 * 12/2011 Lu 116/307
D663,574 S * 7/2012 Shenkal D7/392.1

OTHER PUBLICATIONS

“Ty Pennington Style Kids’ Waterfilled Seahorse Straw Cup,” http://www.sears.com/shc/s/p_10153_12605_02471192000P, Nov. 3, 2010, 1 page.

“Country Living Pig Straw Cup,” http://www.sears.com/shc/s/p_10153_12605_011W030545410001P?i_cnr=1315511829930, Feb. 6, 2011, 1 page.

* cited by examiner

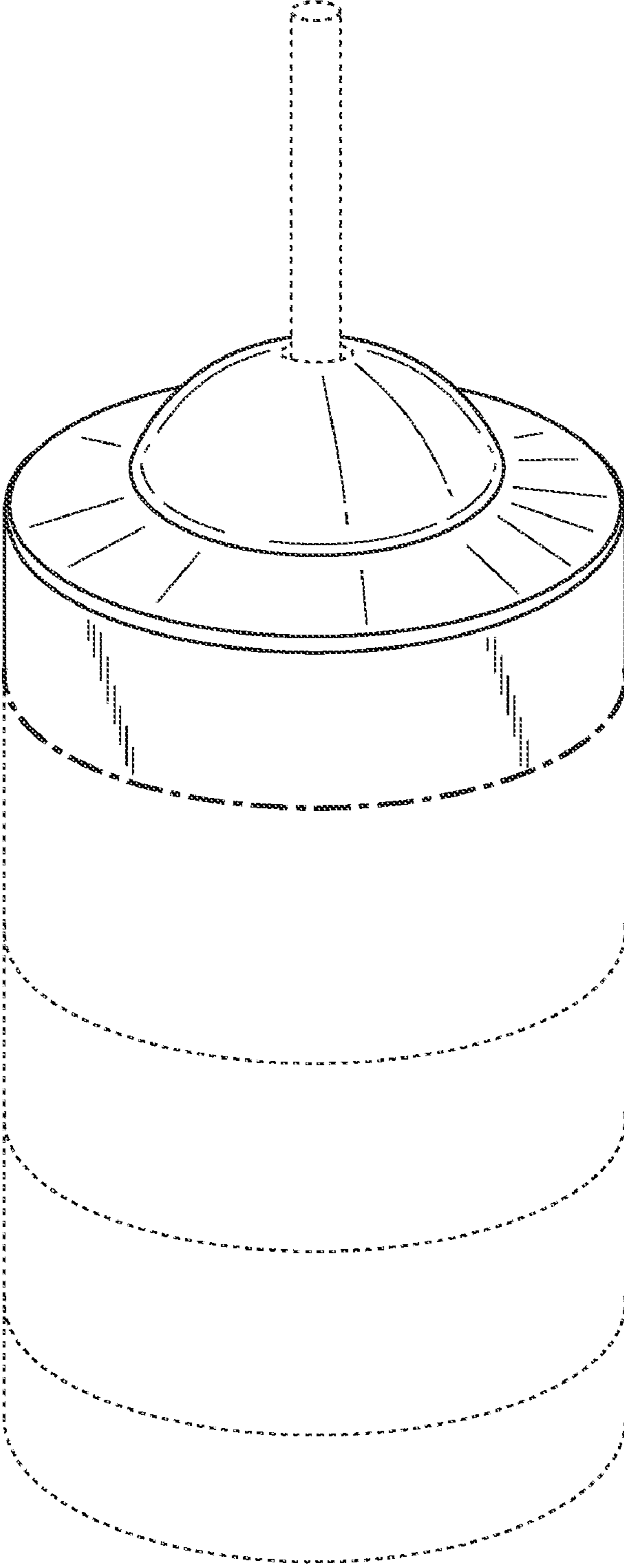


FIG. 1

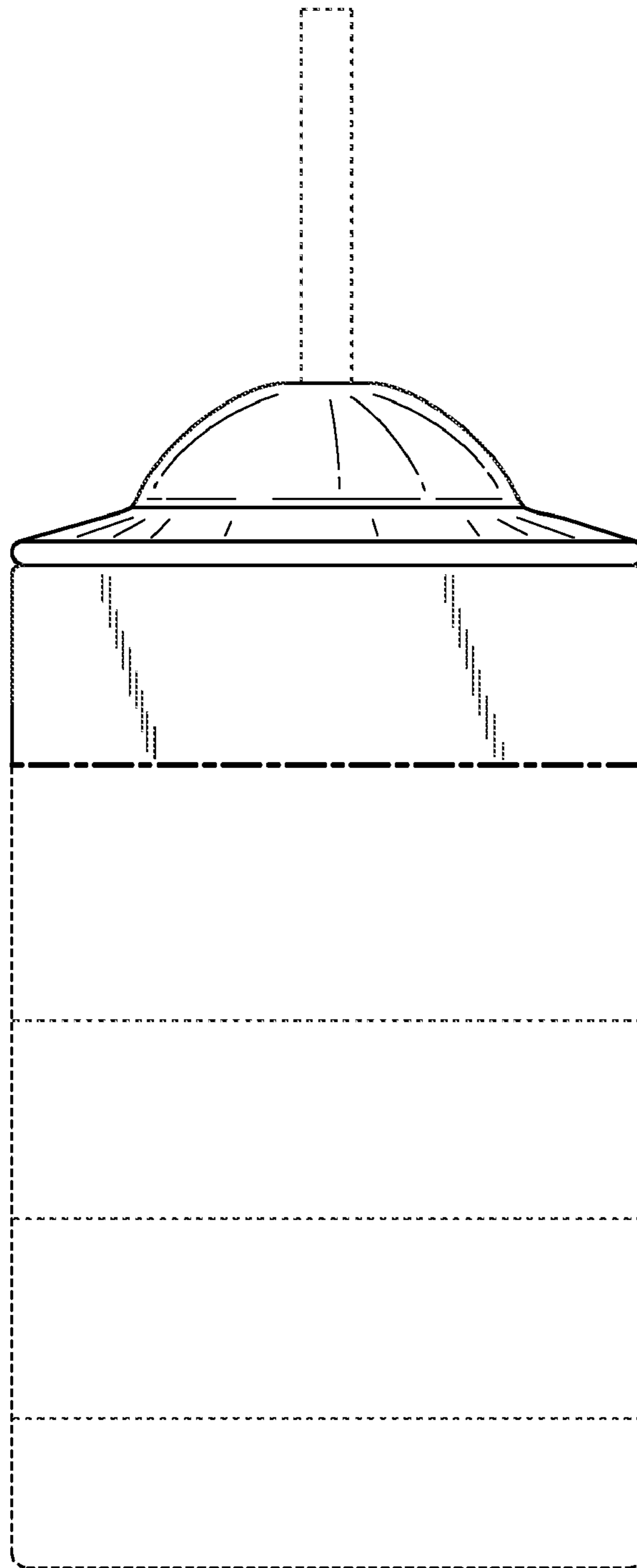


FIG. 2

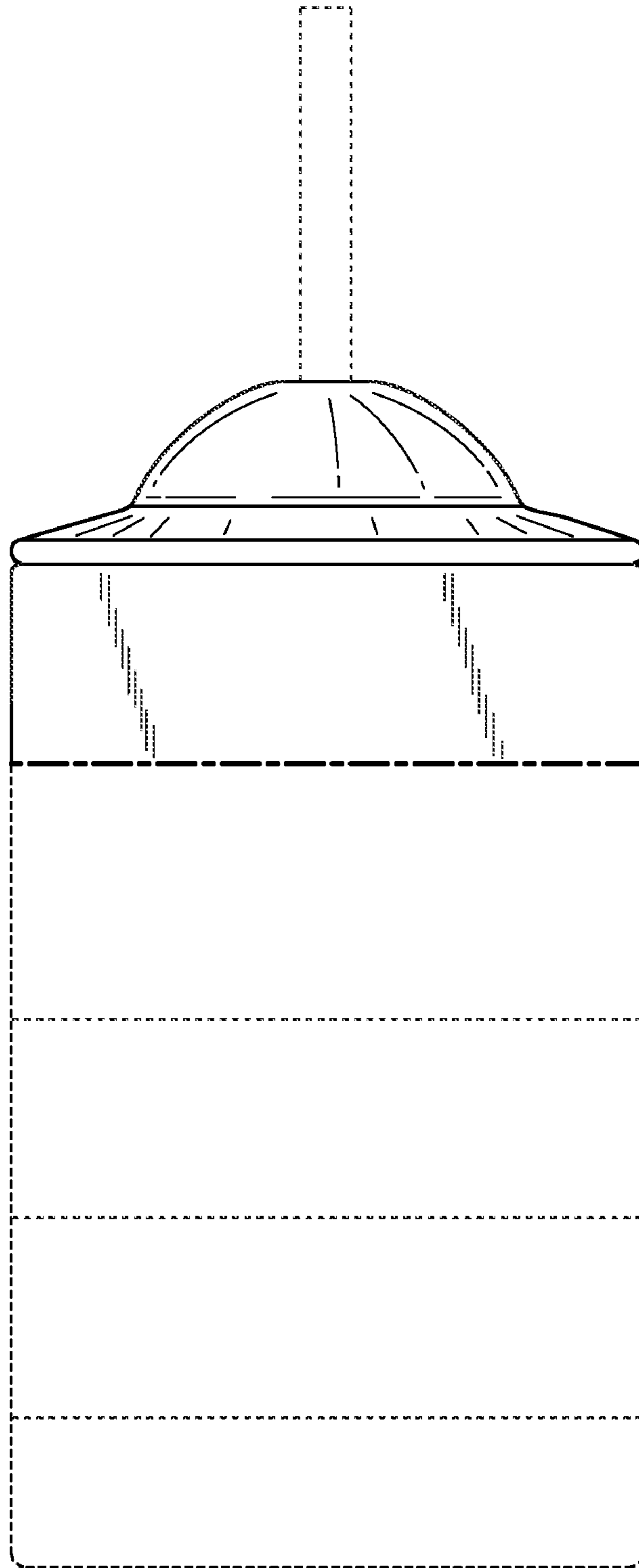


FIG. 3

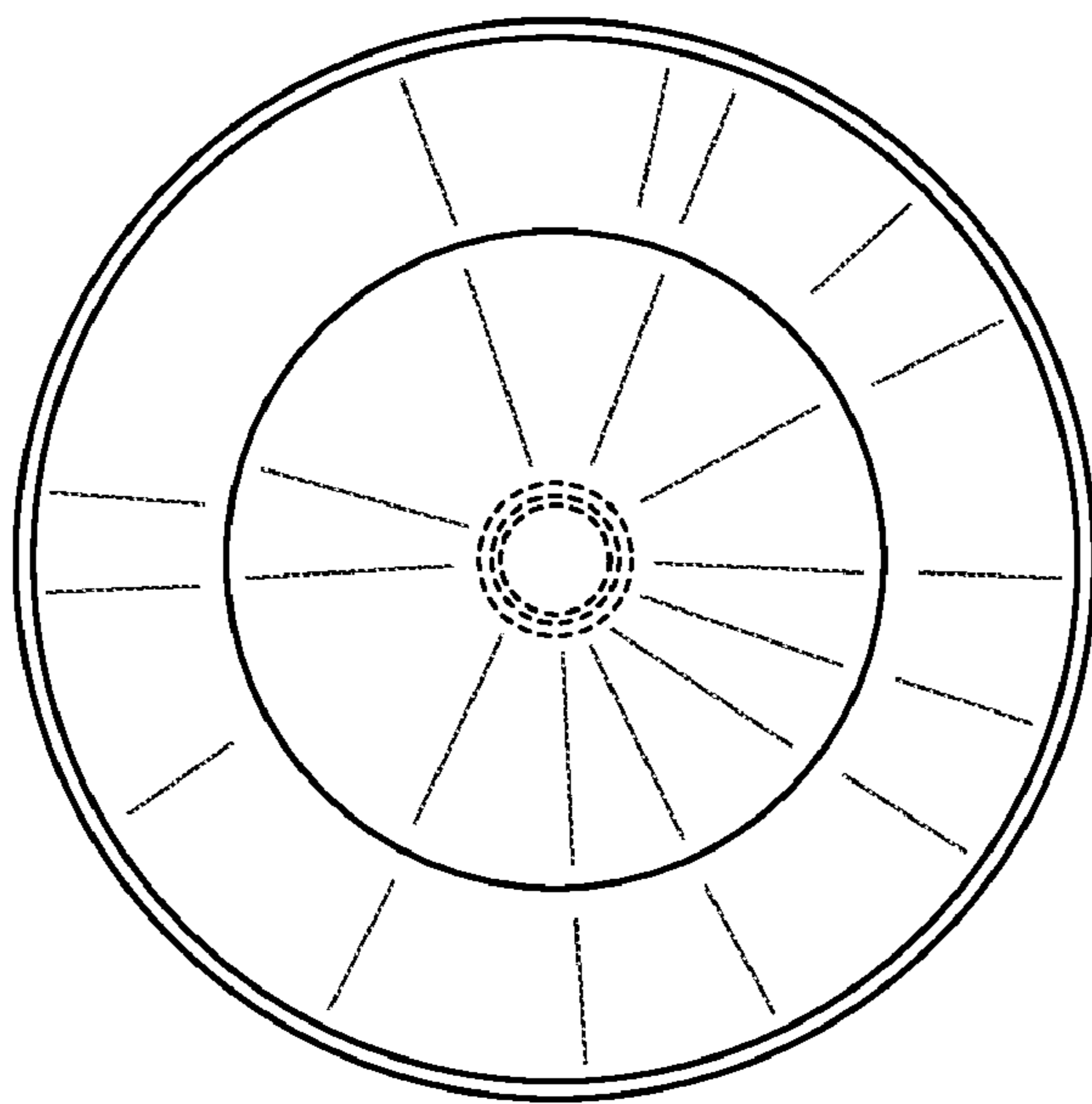


FIG. 4

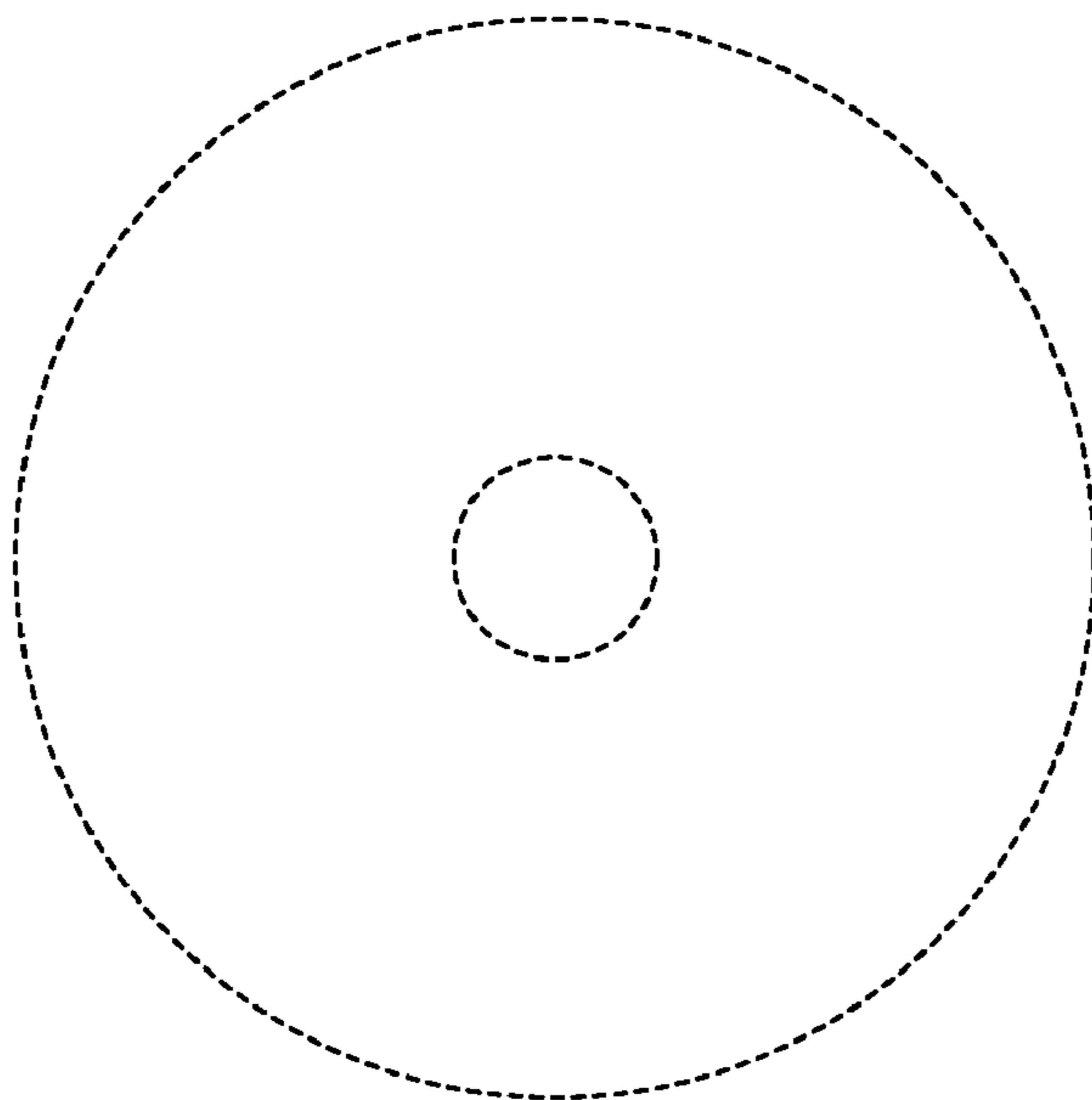


FIG. 5

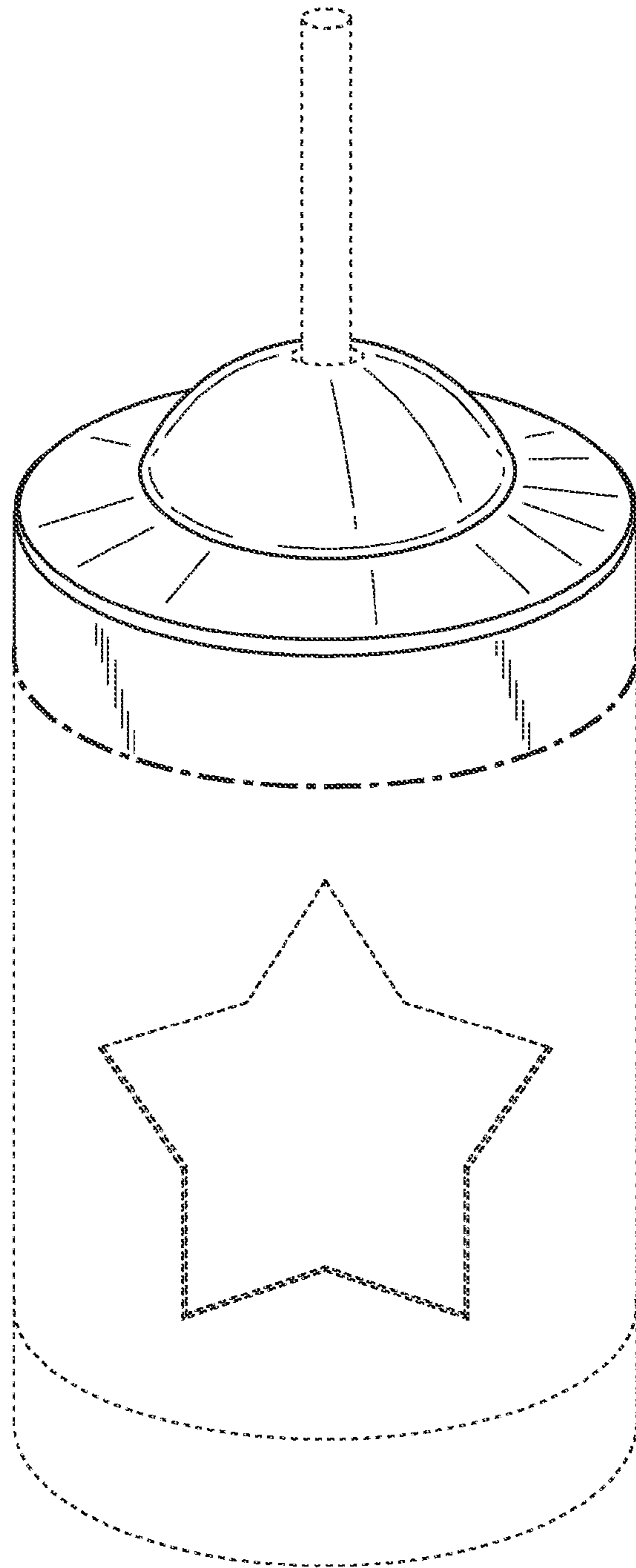


FIG. 6

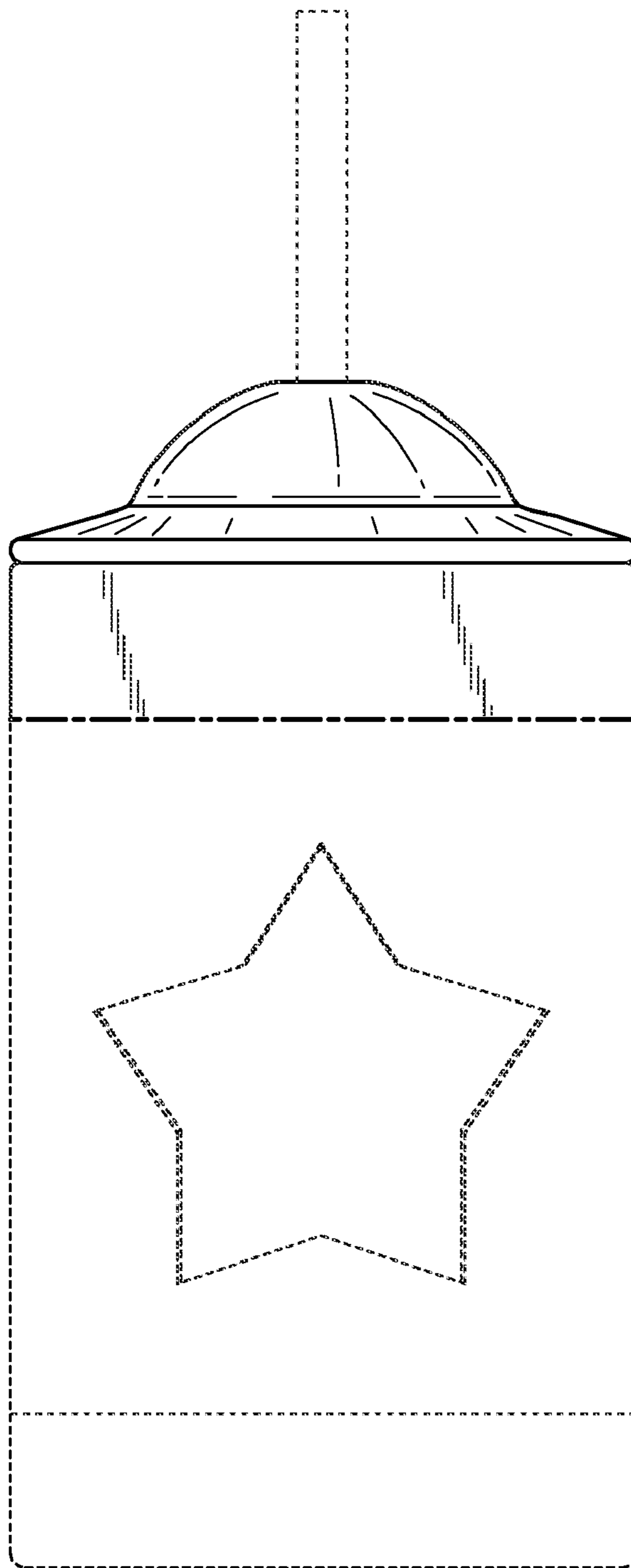


FIG. 7

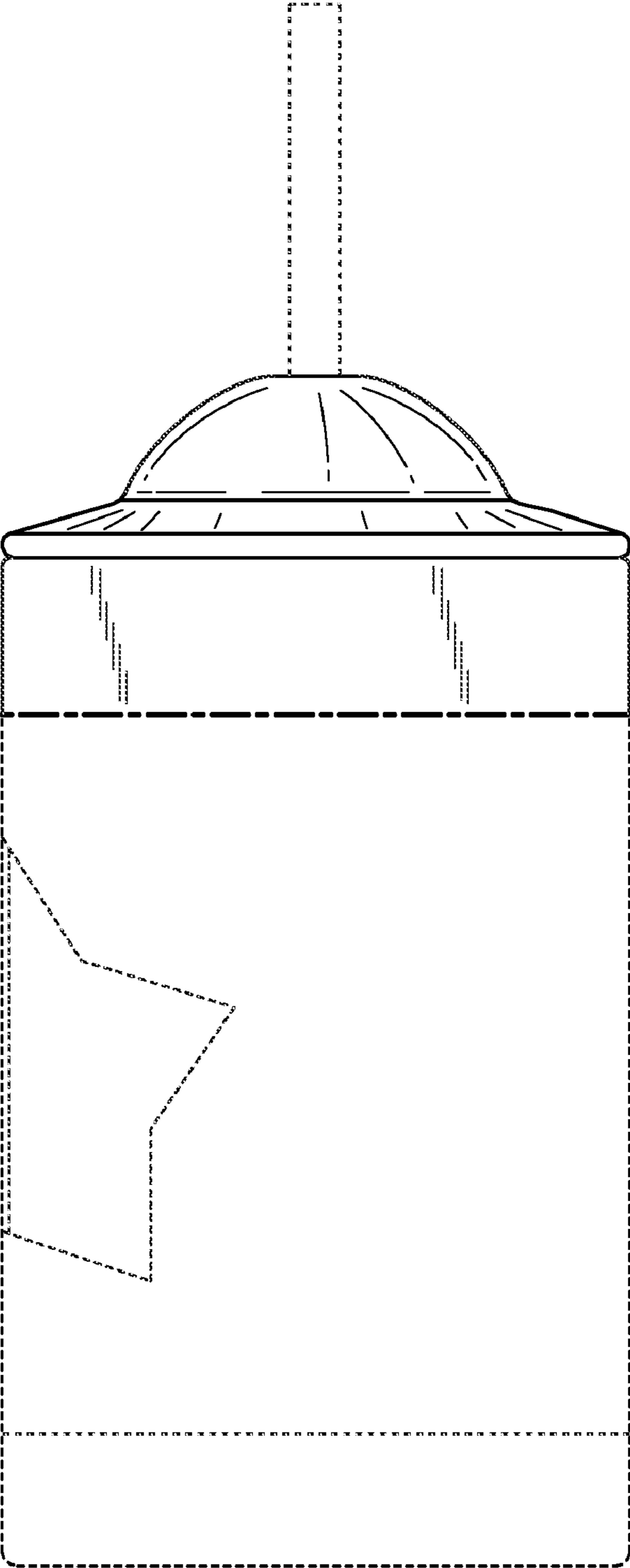


FIG. 8

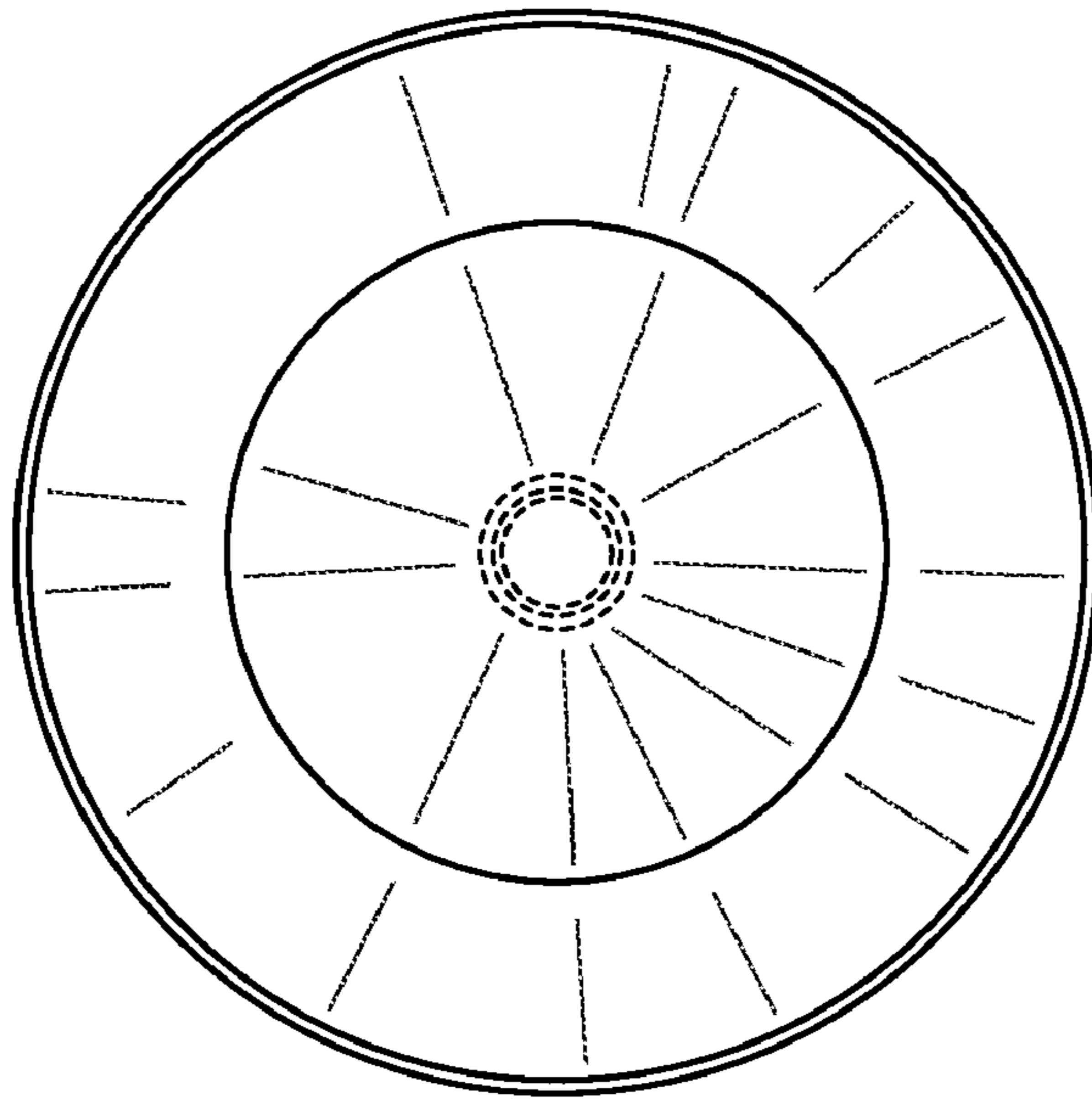


FIG. 9

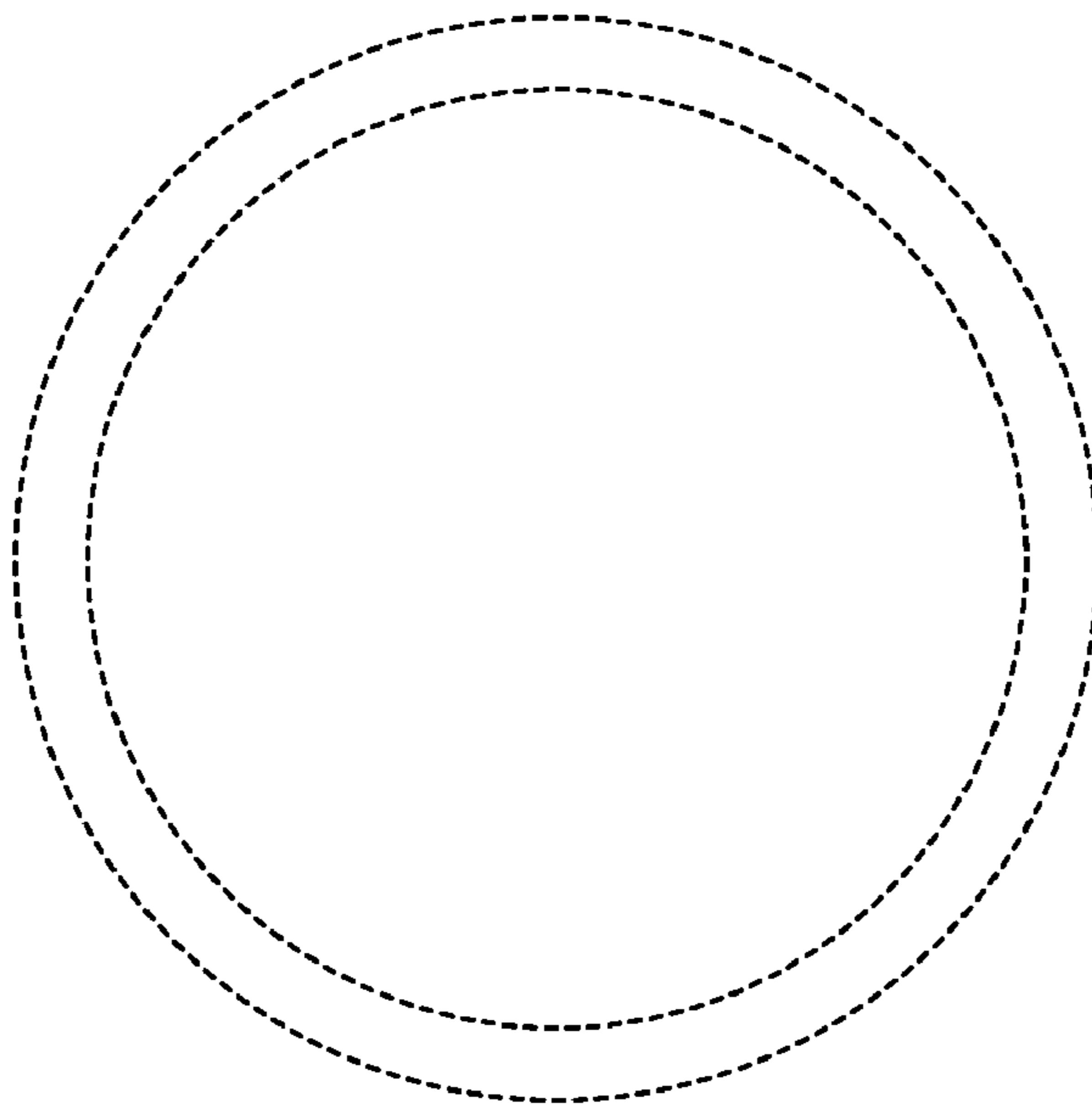


FIG. 10

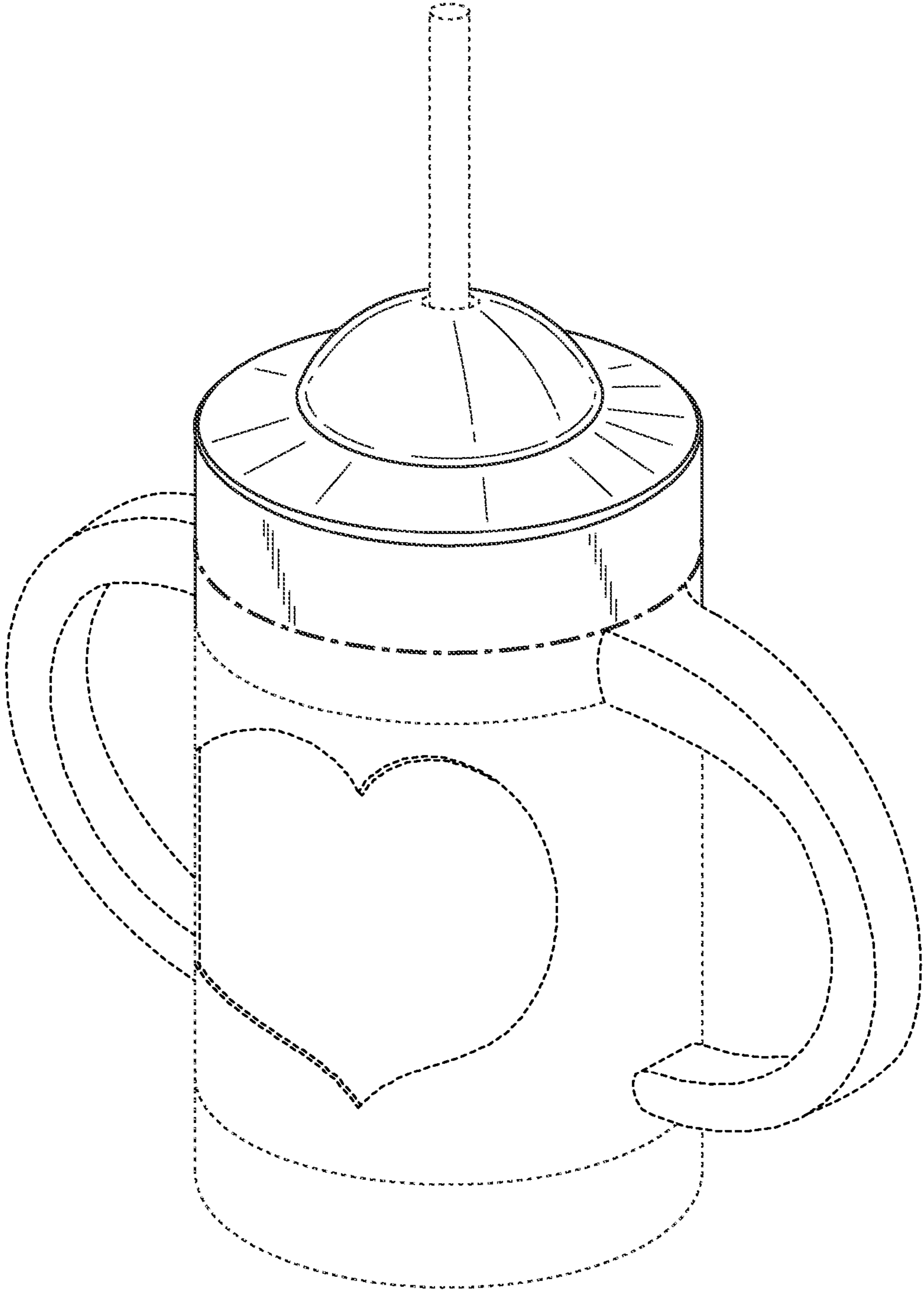


FIG. 11

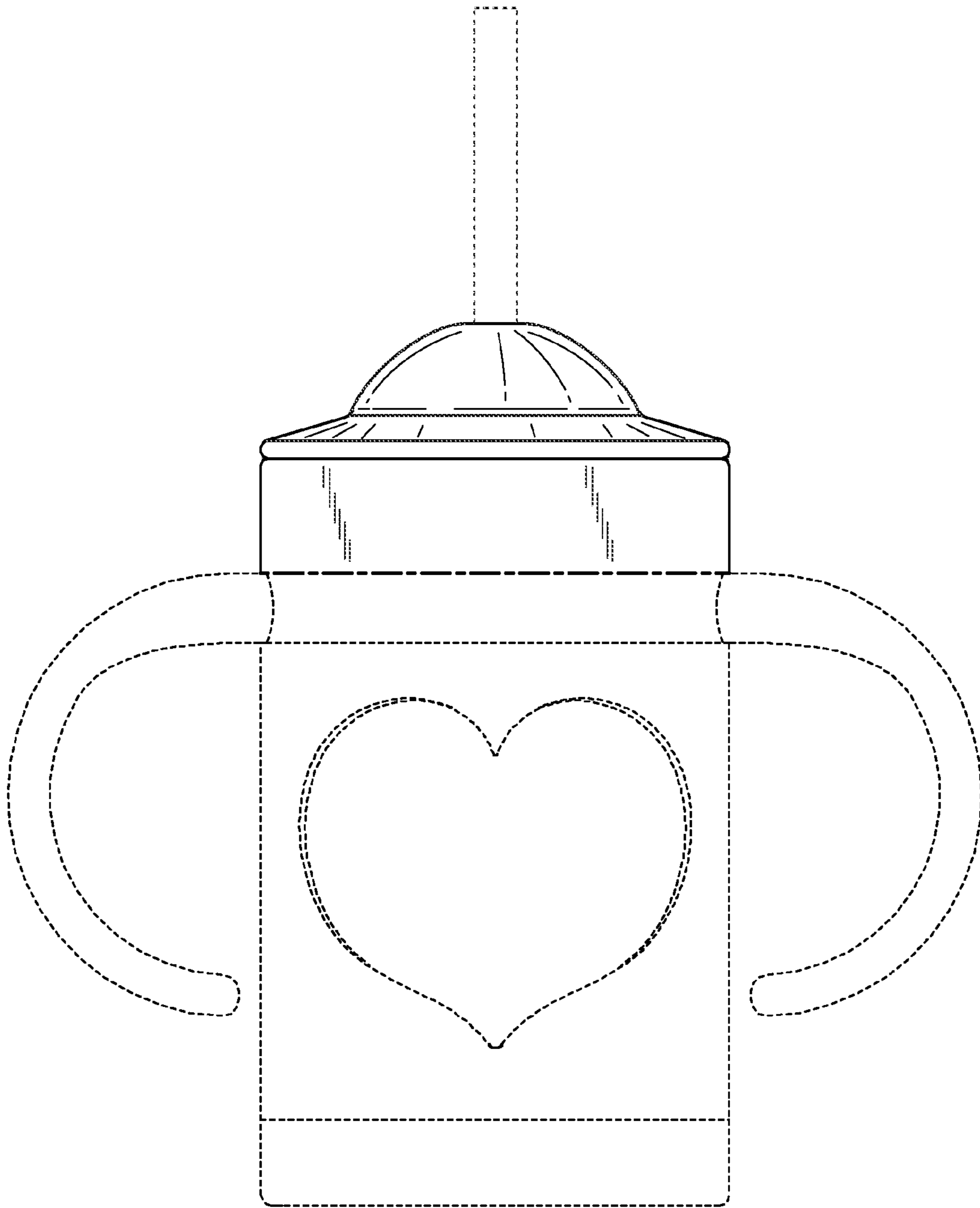


FIG. 12

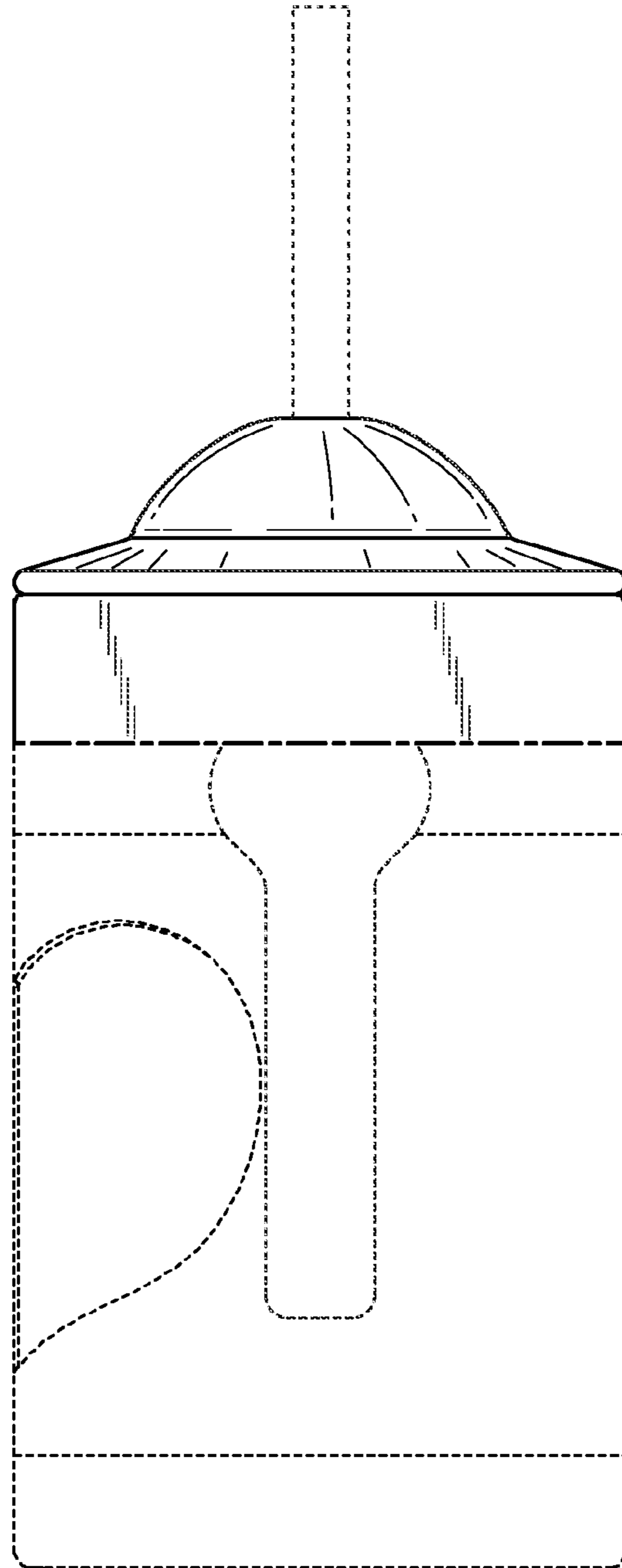


FIG. 13

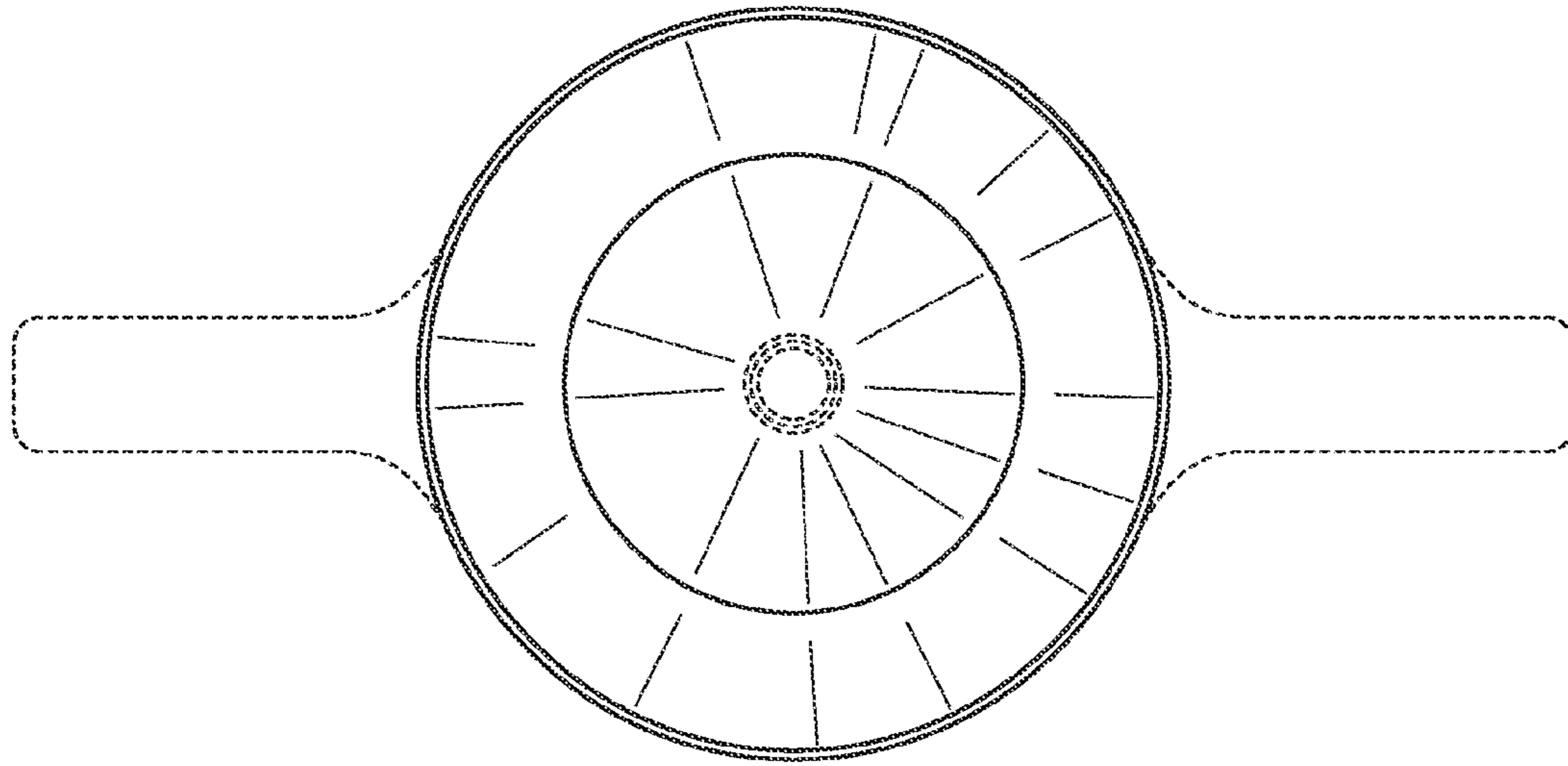


FIG. 14

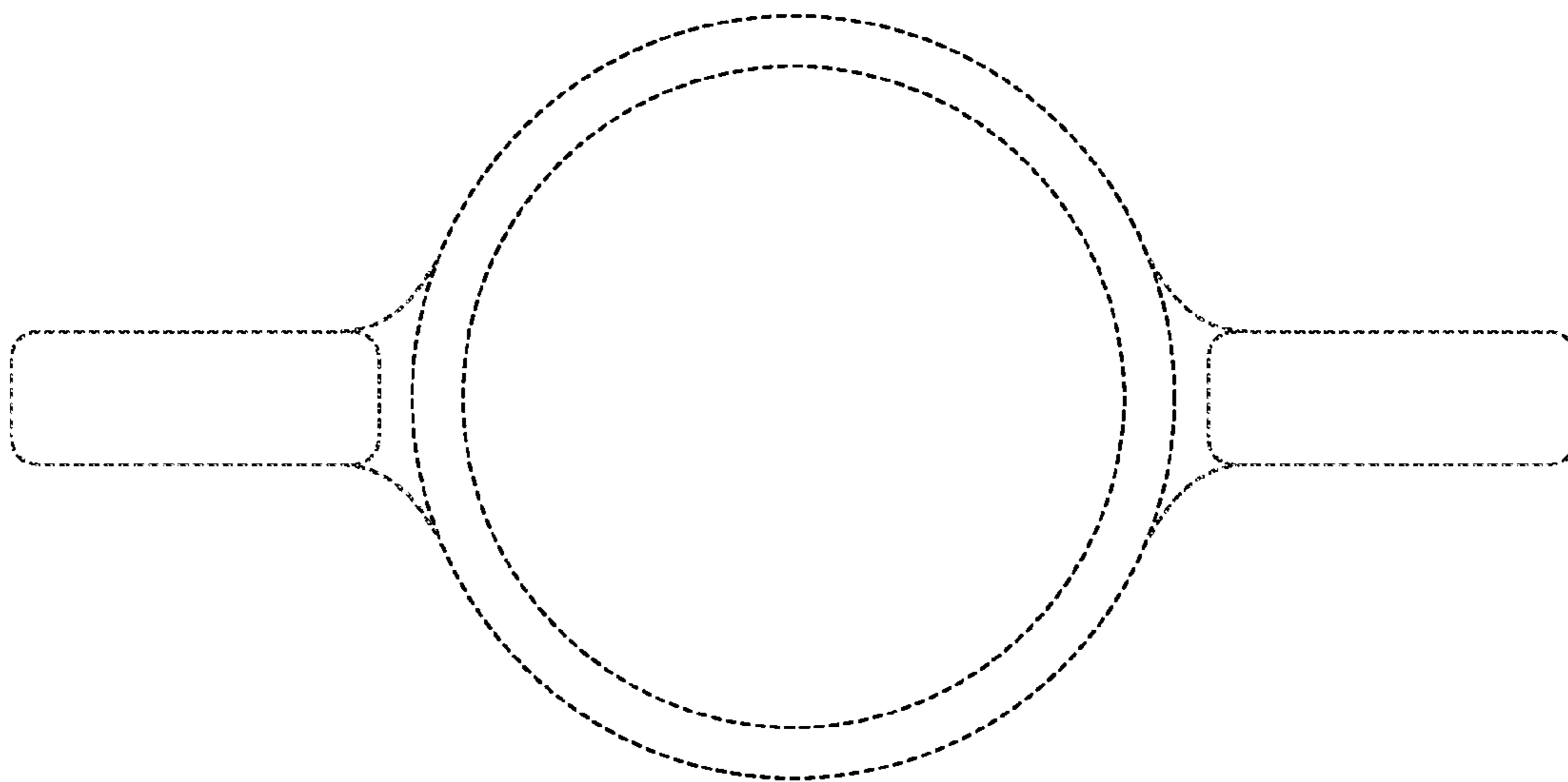


FIG. 15