



US00D676273S

(12) **United States Design Patent**  
**Liu**

(10) **Patent No.:** **US D676,273 S**  
(45) **Date of Patent:** **\*\* Feb. 19, 2013**

(54) **GRIDDLE**

(75) Inventor: **Tachi Liu**, Tainan (TW)

(73) Assignee: **Tsann Kuen (Zhangzhou) Enterprise Co., Ltd.**, Zhangzhou (CN)

(\*\*) Term: **14 Years**

(21) Appl. No.: **29/424,714**

(22) Filed: **Jun. 14, 2012**

(51) **LOC (9) Cl.** ..... **07-02**

(52) **U.S. Cl.** ..... **D7/362; D7/352; D7/363; D7/409**

(58) **Field of Classification Search** ..... D7/323,  
D7/329-331, 337, 339, 346-347, 350.1-350.4,  
D7/352-367, 391, 393, 395, 402, 409-410,  
D7/538, 542, 672-674; 99/324-325, 331-332,  
99/337-349, 358, 369-376, 380, 389, 400-418,  
99/422, 425, 444-446, 483; 126/37 R, 261,  
126/378.1; 206/501-505, 507-508; 219/386,  
219/400, 405, 429-442, 450.1, 452.13, 620-624,  
219/725, 730-735; 220/23.8, 315, 573.1-573.5,  
220/912; 426/438, 441, 549

See application file for complete search history.

(56) **References Cited**

**U.S. PATENT DOCUMENTS**

D291,399 S \* 8/1987 Chan ..... D7/337  
D384,546 S \* 10/1997 Lin ..... D7/352

D412,808 S \* 8/1999 Hinton et al. .... D7/362  
6,433,312 B1 \* 8/2002 Chen ..... 219/386  
D503,067 S \* 3/2005 Lubowicki ..... D7/362  
D514,876 S \* 2/2006 Simond ..... D7/363  
D523,688 S \* 6/2006 Karam ..... D7/365  
D533,016 S \* 12/2006 Genslak et al. .... D7/363  
D568,095 S \* 5/2008 De' Longhi ..... D7/362  
D610,394 S \* 2/2010 Bodum ..... D7/362  
D620,745 S \* 8/2010 Lavy ..... D7/357  
D644,059 S \* 8/2011 Bodum ..... D7/363  
D660,640 S \* 5/2012 De'Longhi ..... D7/362

\* cited by examiner

*Primary Examiner* — Ricky Pham

(74) *Attorney, Agent, or Firm* — Rabin & Berdo, P.C.

(57) **CLAIM**

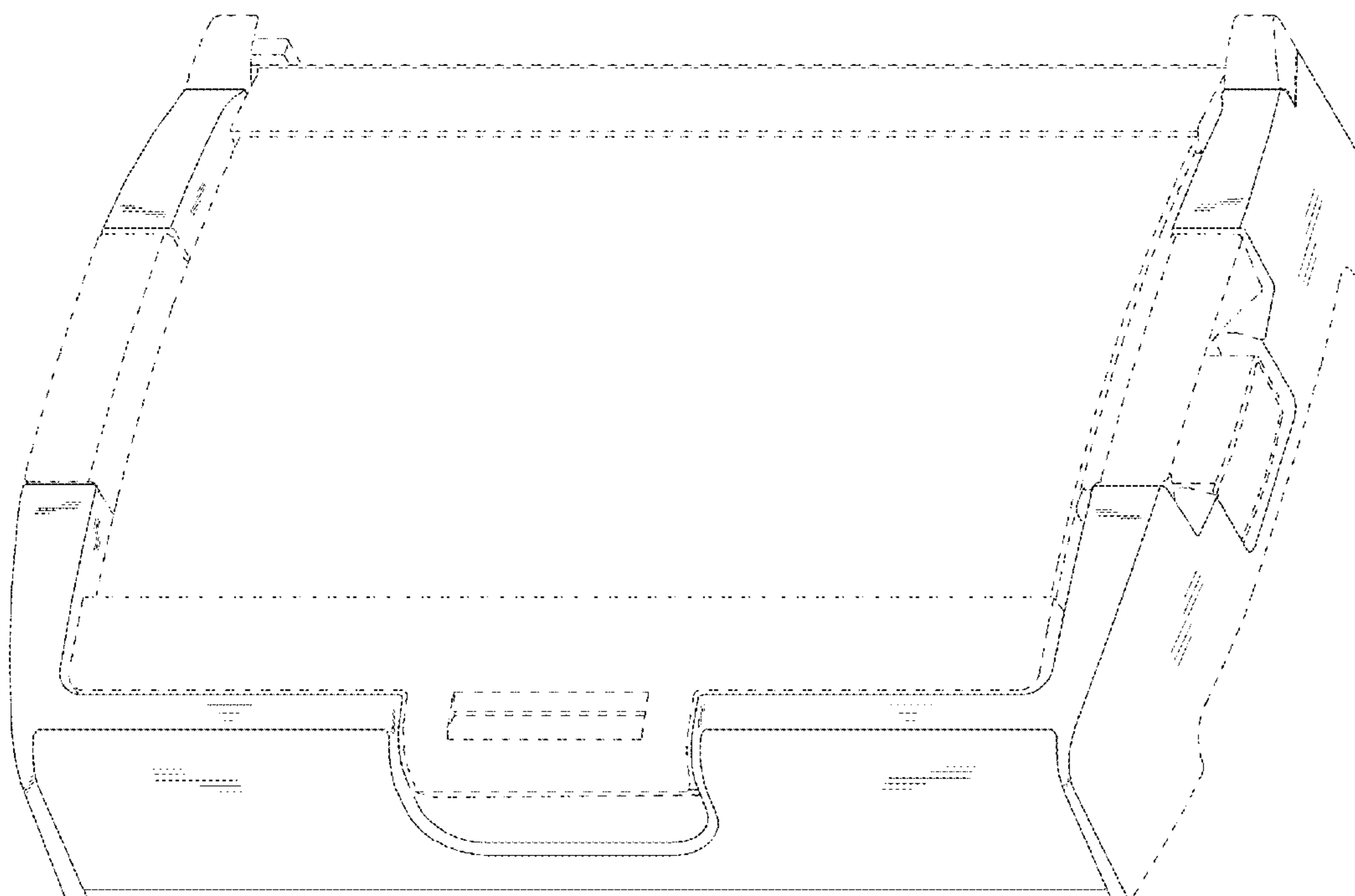
The ornamental design for a griddle, as shown and described.

**DESCRIPTION**

FIG. 1 is a front view of a griddle showing my new design;  
FIG. 2 is a rear view thereof;  
FIG. 3 is a left side view thereof;  
FIG. 4 is a right side view thereof;  
FIG. 5 is a top plan view thereof;  
FIG. 6 is a bottom plan view thereof; and,  
FIG. 7 is a perspective view thereof.

The broken lines showing in Figures are for illustrative purposes only and form no part of the claimed design.

**1 Claim, 7 Drawing Sheets**



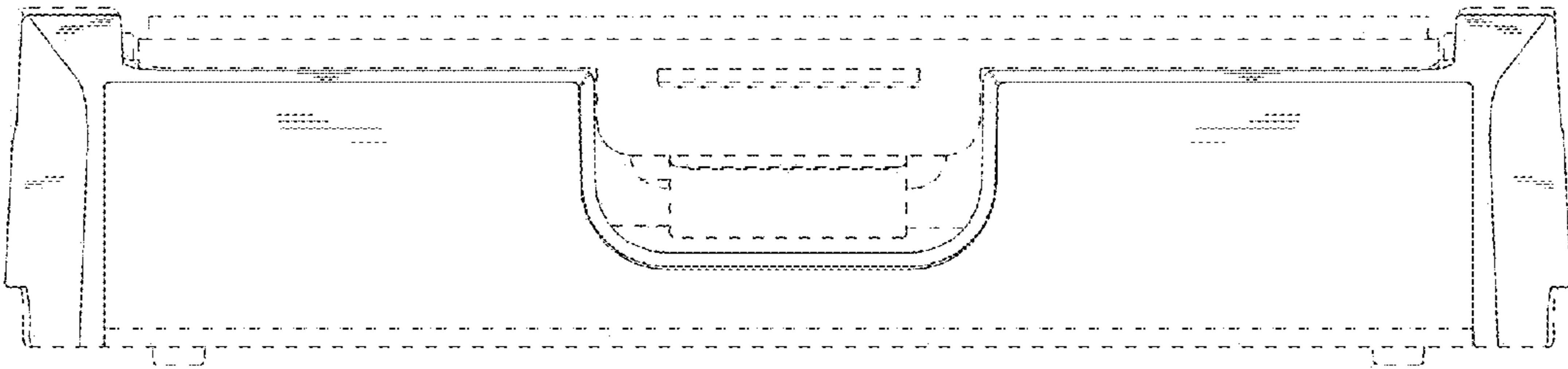


FIG. 1

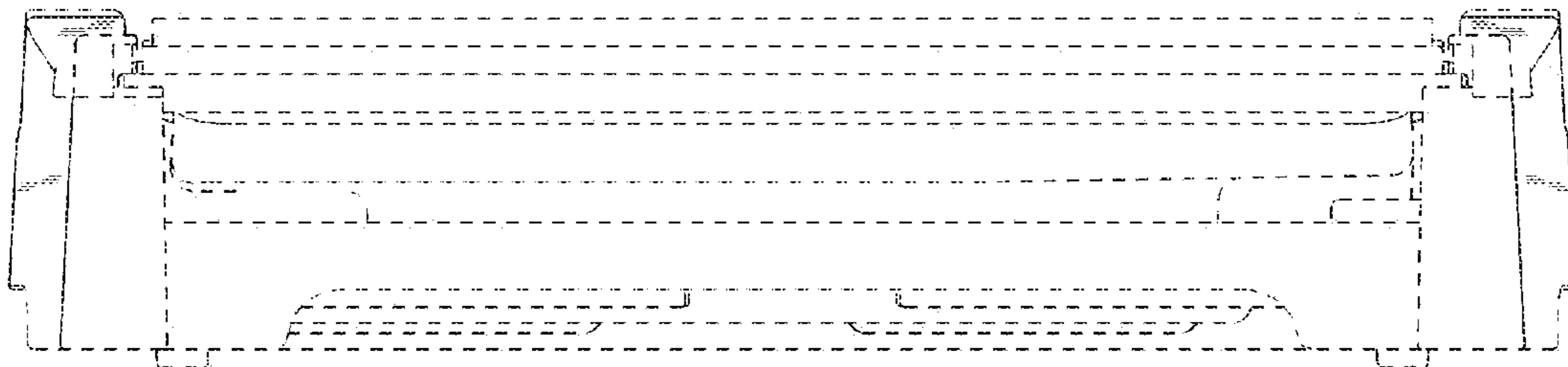


FIG. 2

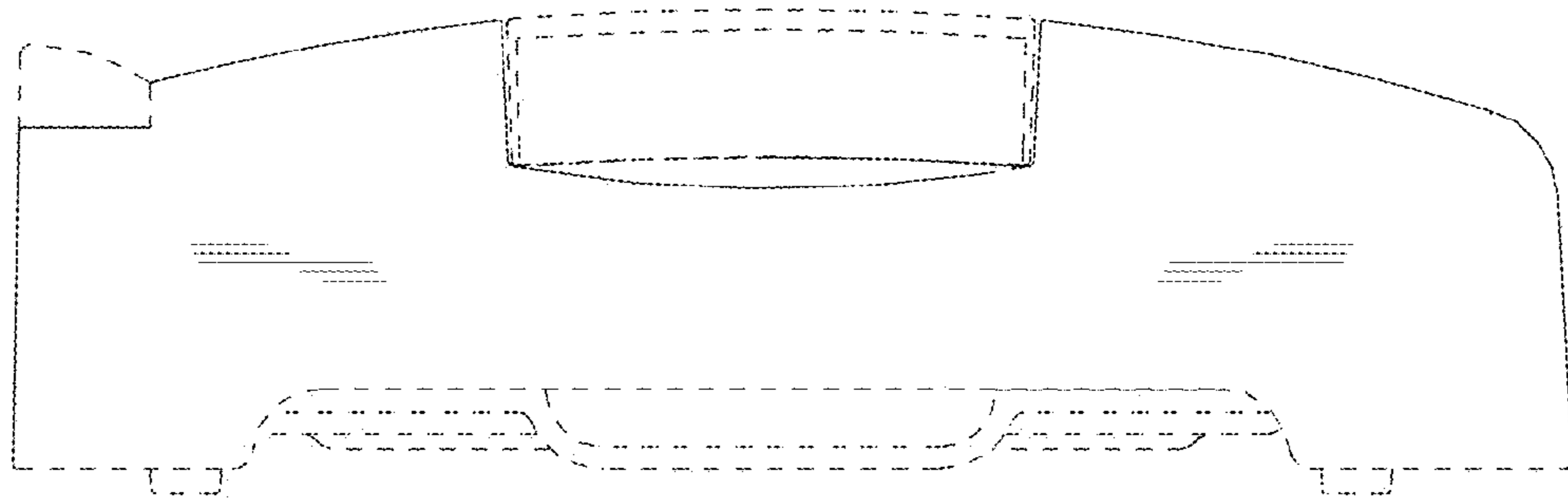


FIG. 3

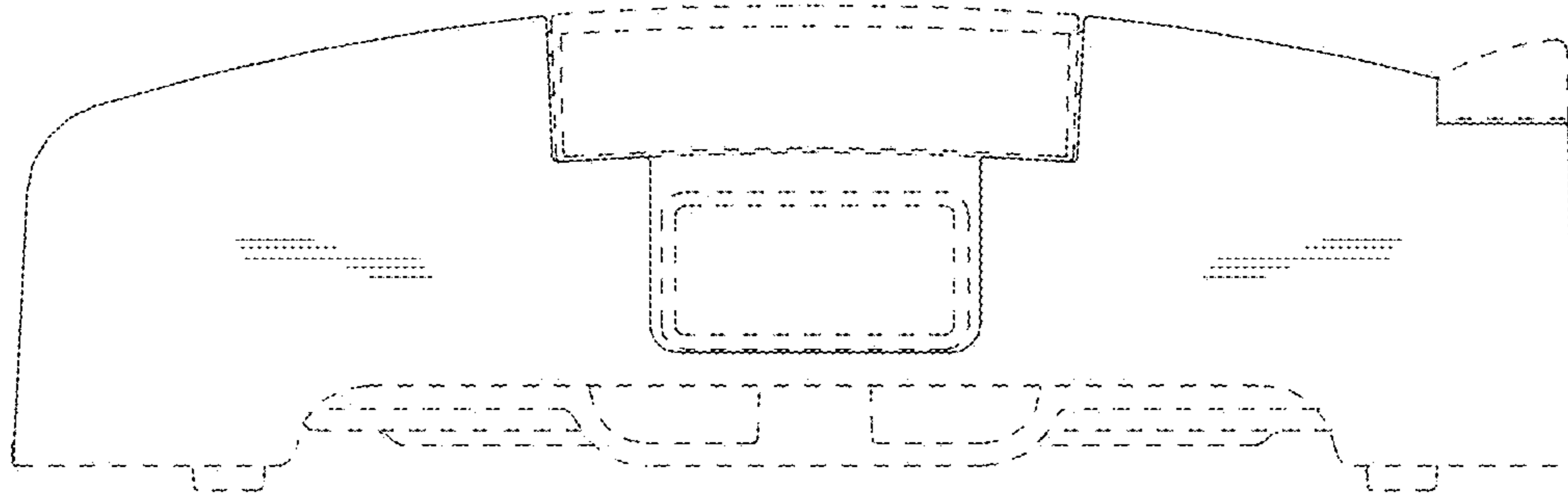


FIG. 4

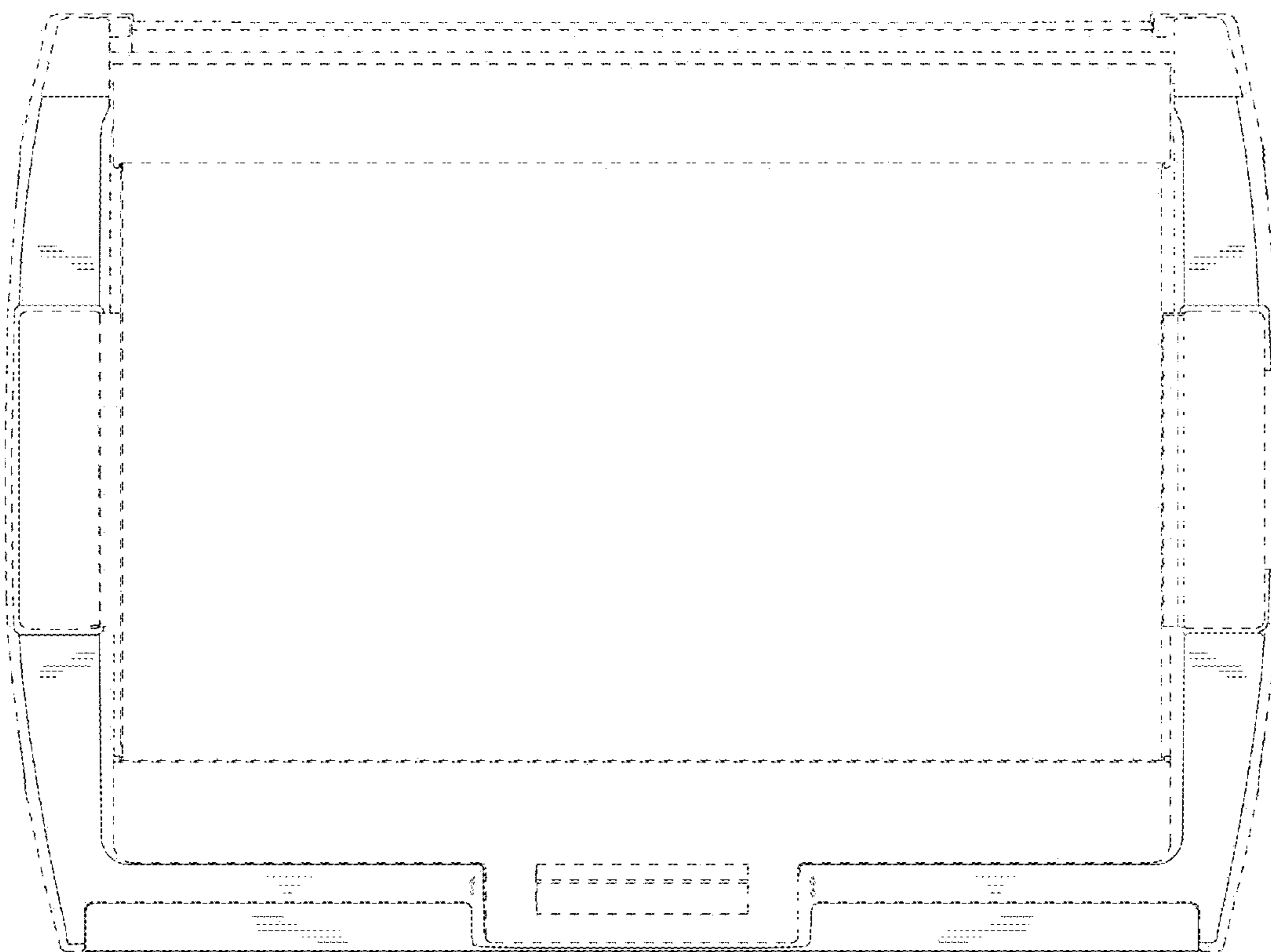


FIG. 5

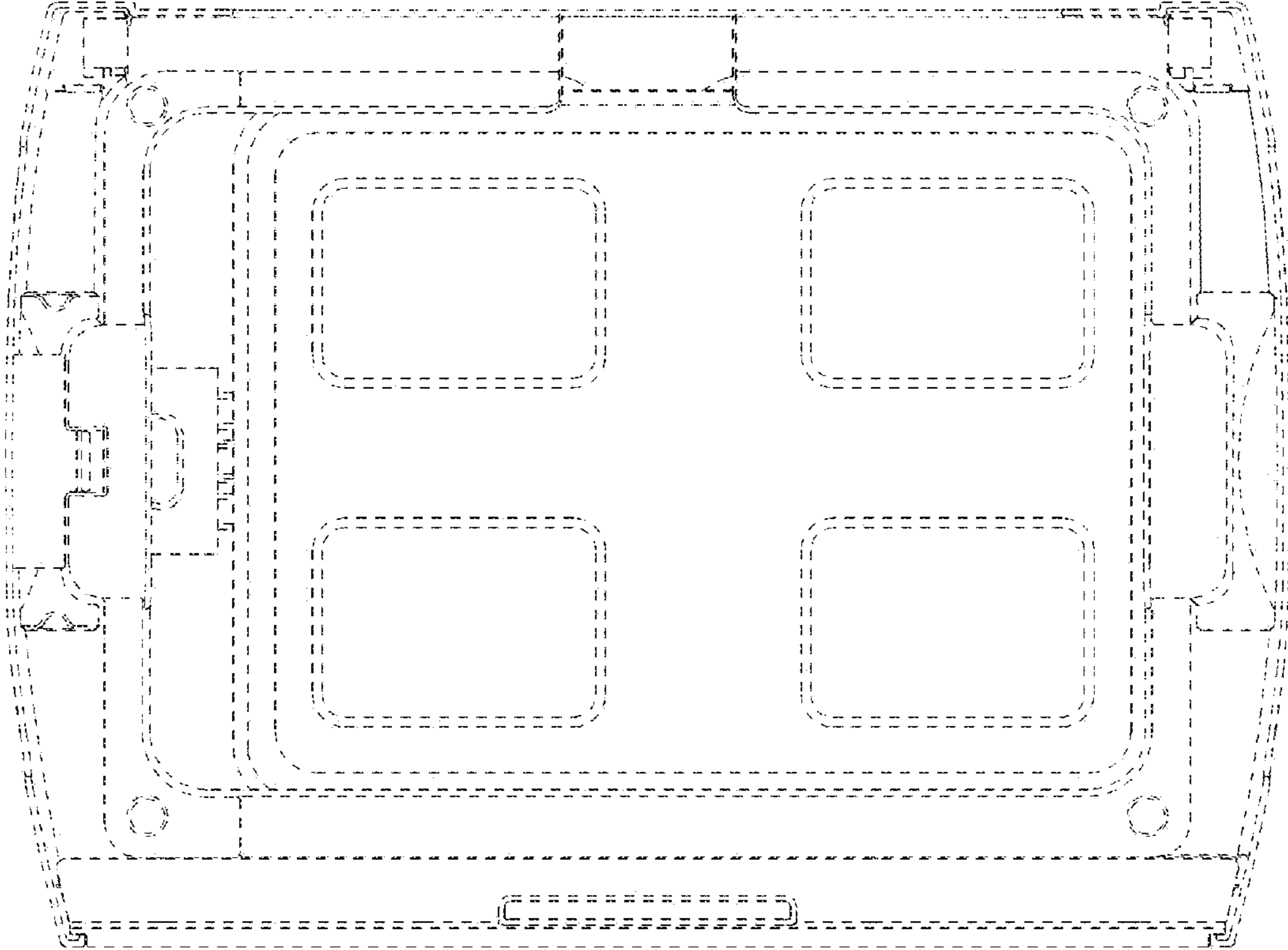


FIG. 6

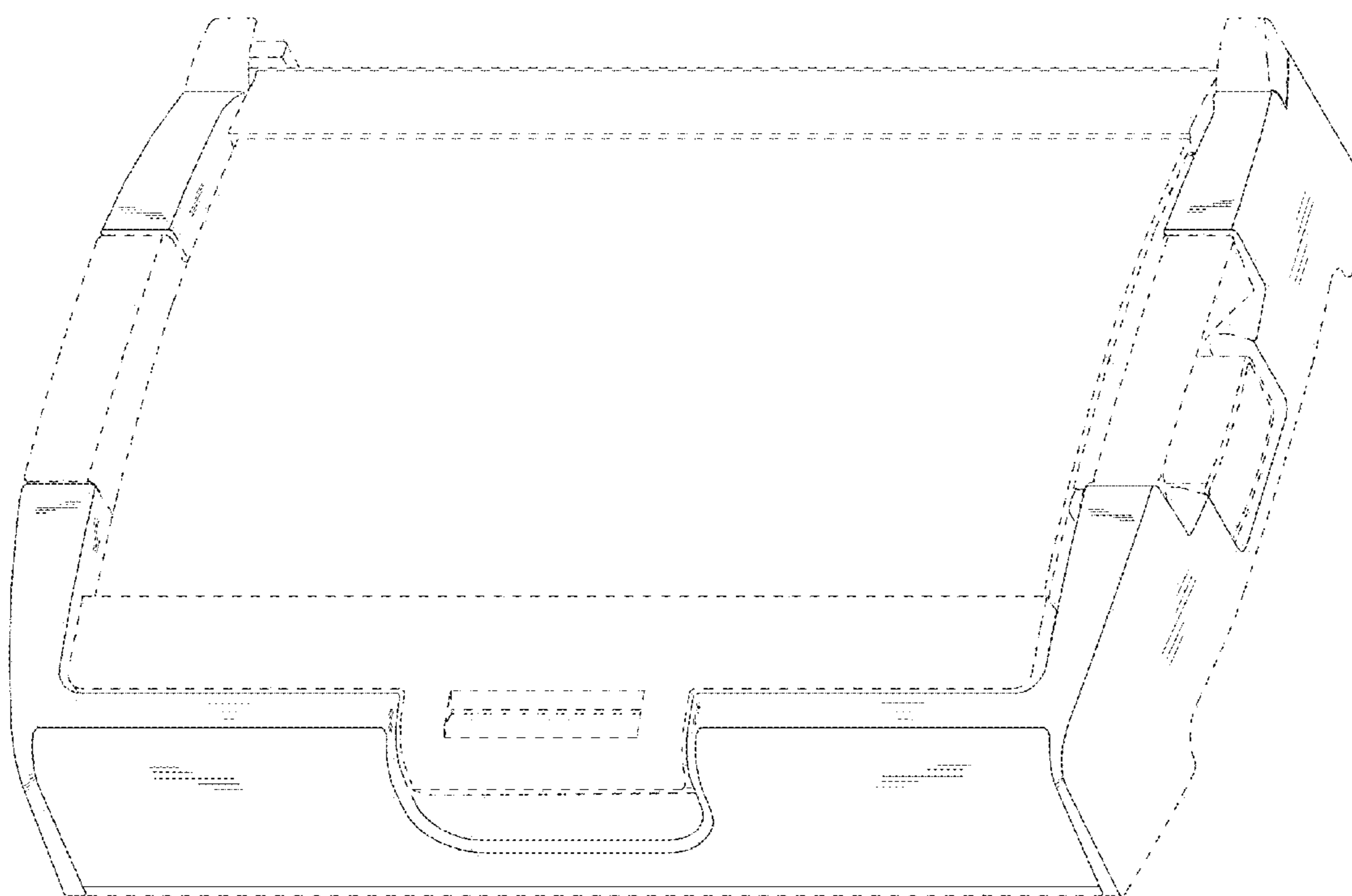


FIG. 7