



US00D676270S

(12) **United States Design Patent**
Heiberg et al.

(10) **Patent No.:** **US D676,270 S**

(45) **Date of Patent:** **** Feb. 19, 2013**

(54) **COVERED PITCHER FOR CREAM**

(75) Inventors: **Jakob Heiberg**, Charlottenlund (DK);
Alex Muspratt-Williams, Orlando, FL
(US)

(73) Assignee: **Dart Industries Inc.**, Orlando, FL (US)

(**) Term: **14 Years**

(21) Appl. No.: **29/395,231**

(22) Filed: **Dec. 21, 2011**

(51) **LOC (9) Cl.** **07-01**

(52) **U.S. Cl.** **D7/317; D7/316; D7/598**

(58) **Field of Classification Search** D7/316-319,
D7/321, 322; 99/299, 297, 306; 222/572
See application file for complete search history.

(56) **References Cited**

U.S. PATENT DOCUMENTS

D160,516 S	*	10/1950	Marsh	D7/318
2,812,121 A		11/1957	Sheets		
D209,073 S		10/1967	Martin		
D215,749 S	*	10/1969	Adler	D7/317
D259,011 S		4/1981	Daenen		
D272,225 S	*	1/1984	DeCoster	D7/319
D303,904 S	*	10/1989	Wolfenden	D7/317
D304,146 S		10/1989	Weernink		
D310,614 S	*	9/1990	Pozzi	D7/317

D312,745 S	*	12/1990	Daenen et al.	D7/317
D433,866 S	*	11/2000	Cautereels et al.	D7/319
D472,105 S		3/2003	Jørgensen		
D568,666 S	*	5/2008	Souloglou	D7/317
D592,011 S	*	5/2009	Fujimoto et al.	D7/509
D595,534 S	*	7/2009	Mankowitz	D7/317
D641,196 S	*	7/2011	Gaydon	D7/316

* cited by examiner

Primary Examiner — Marianne Pandozzi

(74) *Attorney, Agent, or Firm* — John A. Doninger

(57) **CLAIM**

The ornamental design for a covered pitcher for cream, as shown and described.

DESCRIPTION

FIG. 1 is a top, side and front perspective view of a covered pitcher for cream showing my new design;

FIG. 2 is a front elevation view, the rear elevation being a mirror image thereof;

FIG. 3 is a right side elevation view thereof;

FIG. 4 is a left side elevation view thereof;

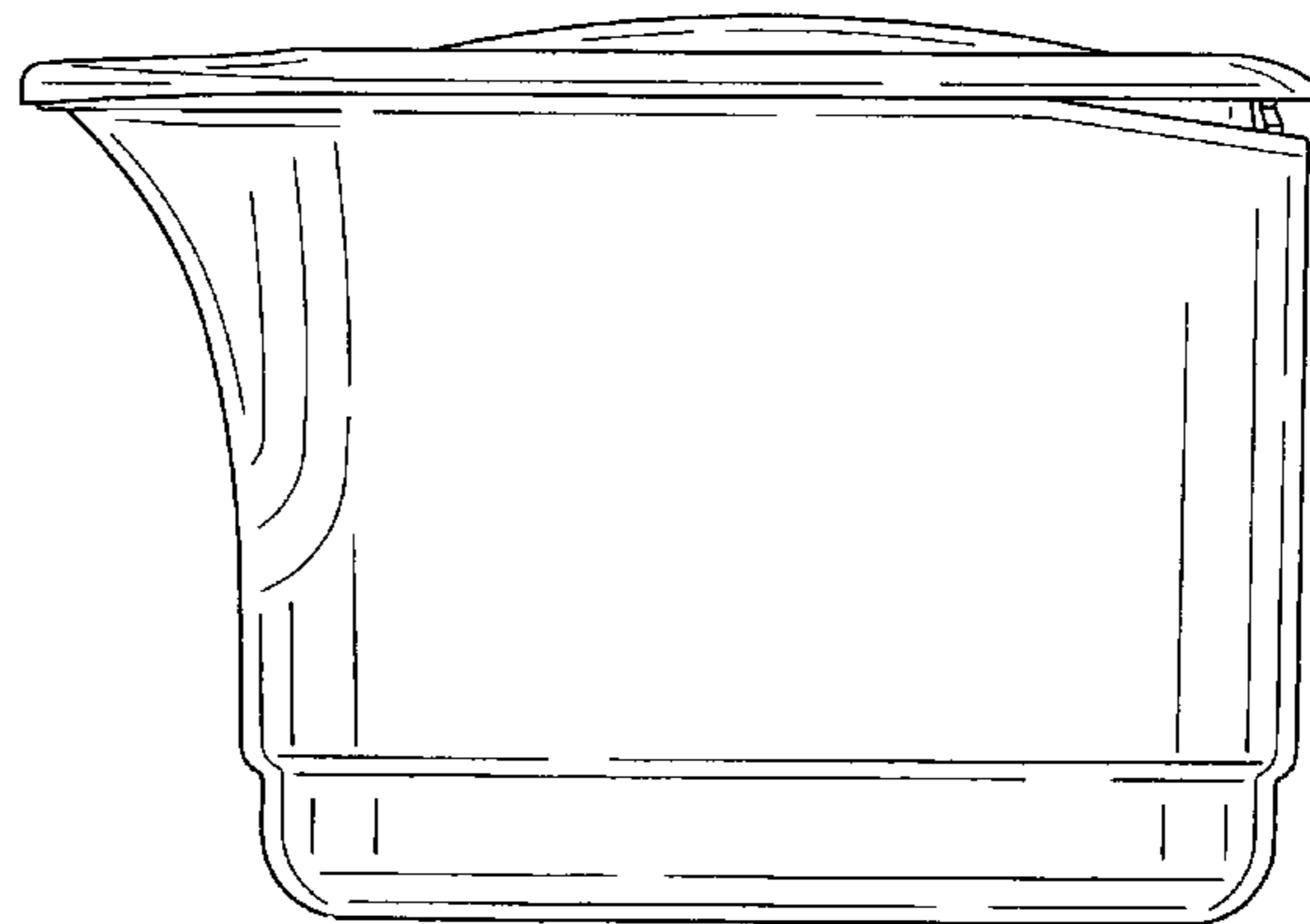
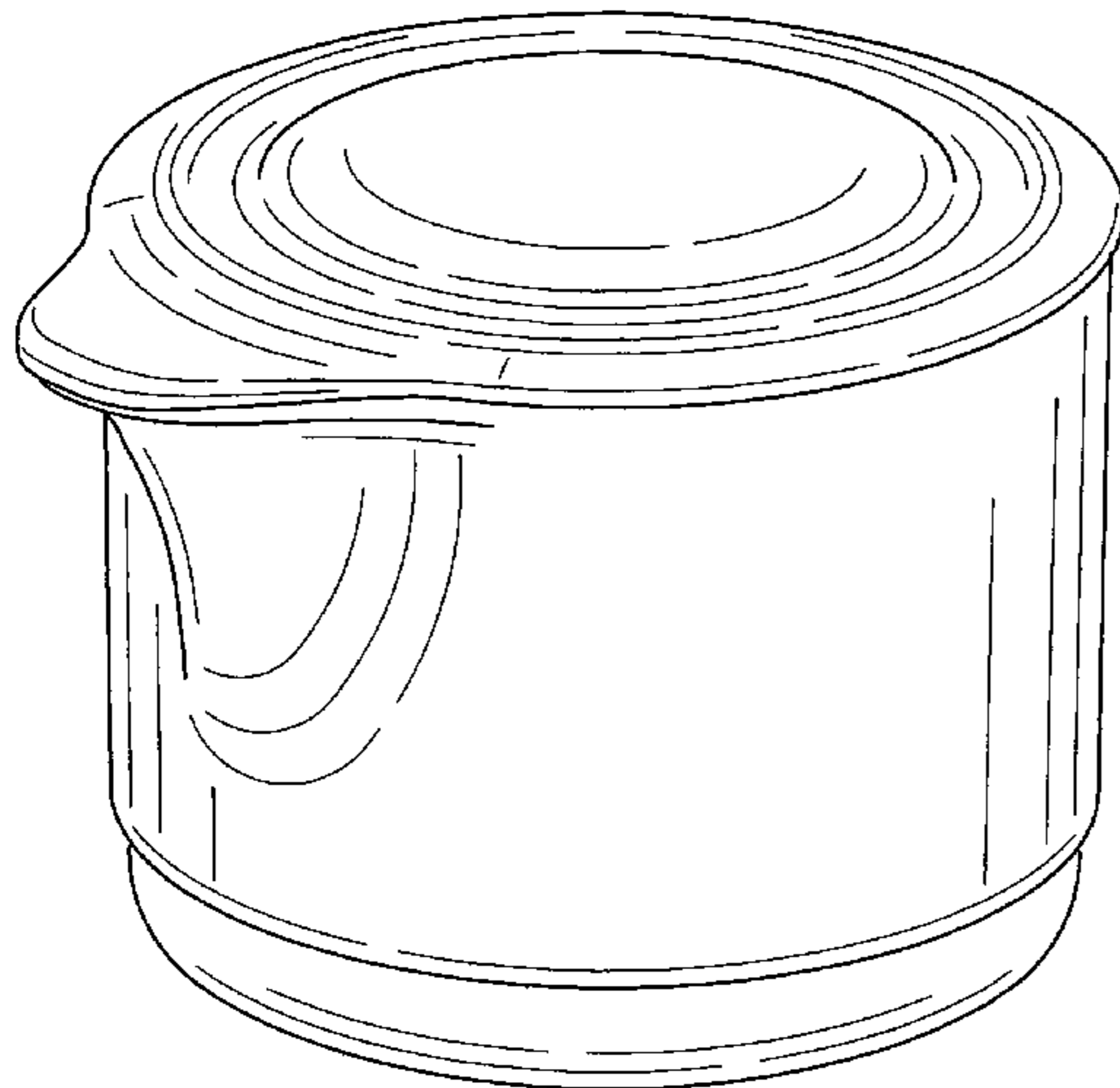
FIG. 5 is a top plan view thereof;

FIG. 6 is a bottom plan view thereof;

FIG. 7 is an exploded view of the covered pitcher for cream shown in FIG. 1; and,

FIG. 8 is a cross-sectional view along line 8-8 of FIG. 5.

1 Claim, 5 Drawing Sheets



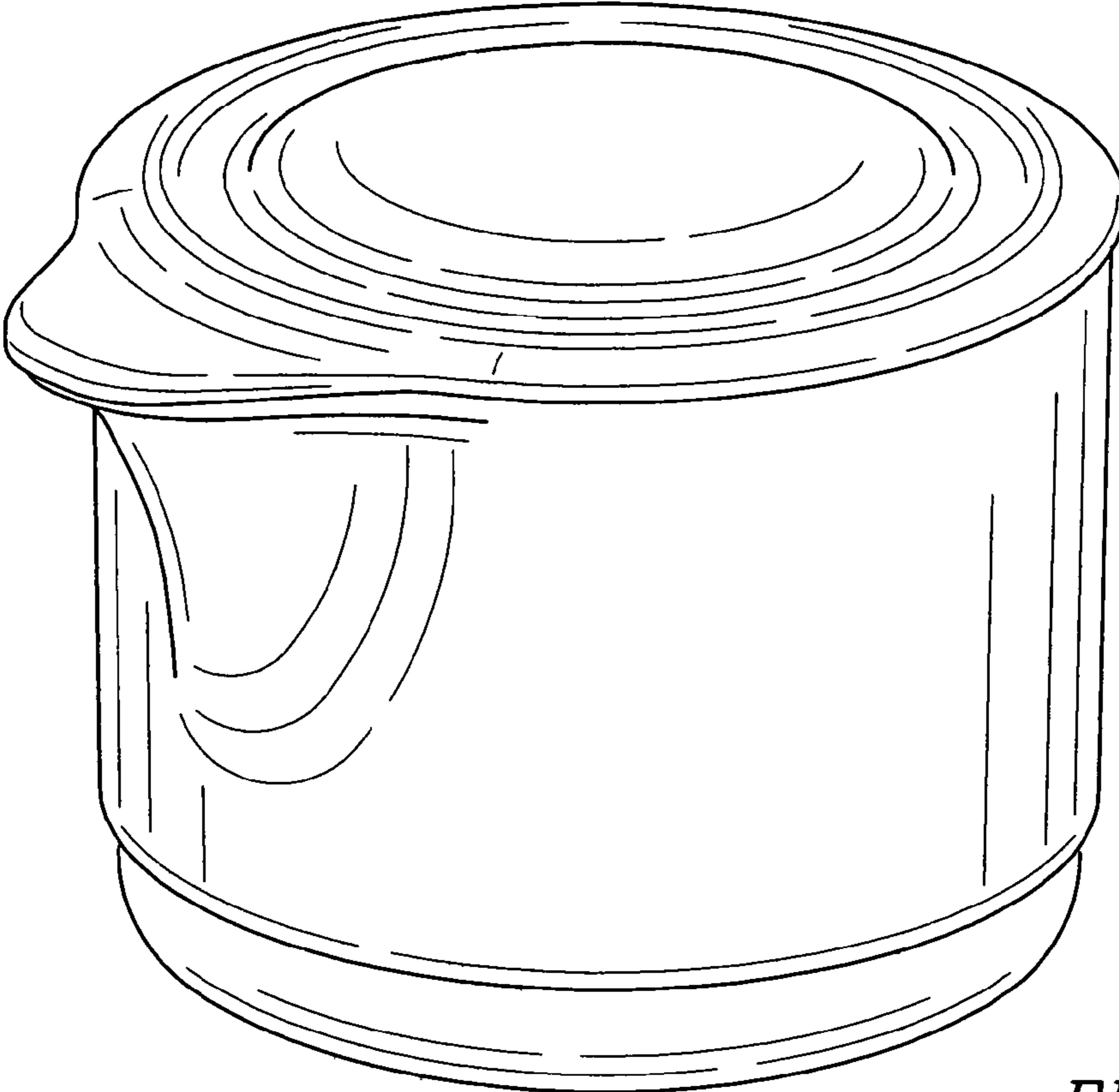


FIG. 1

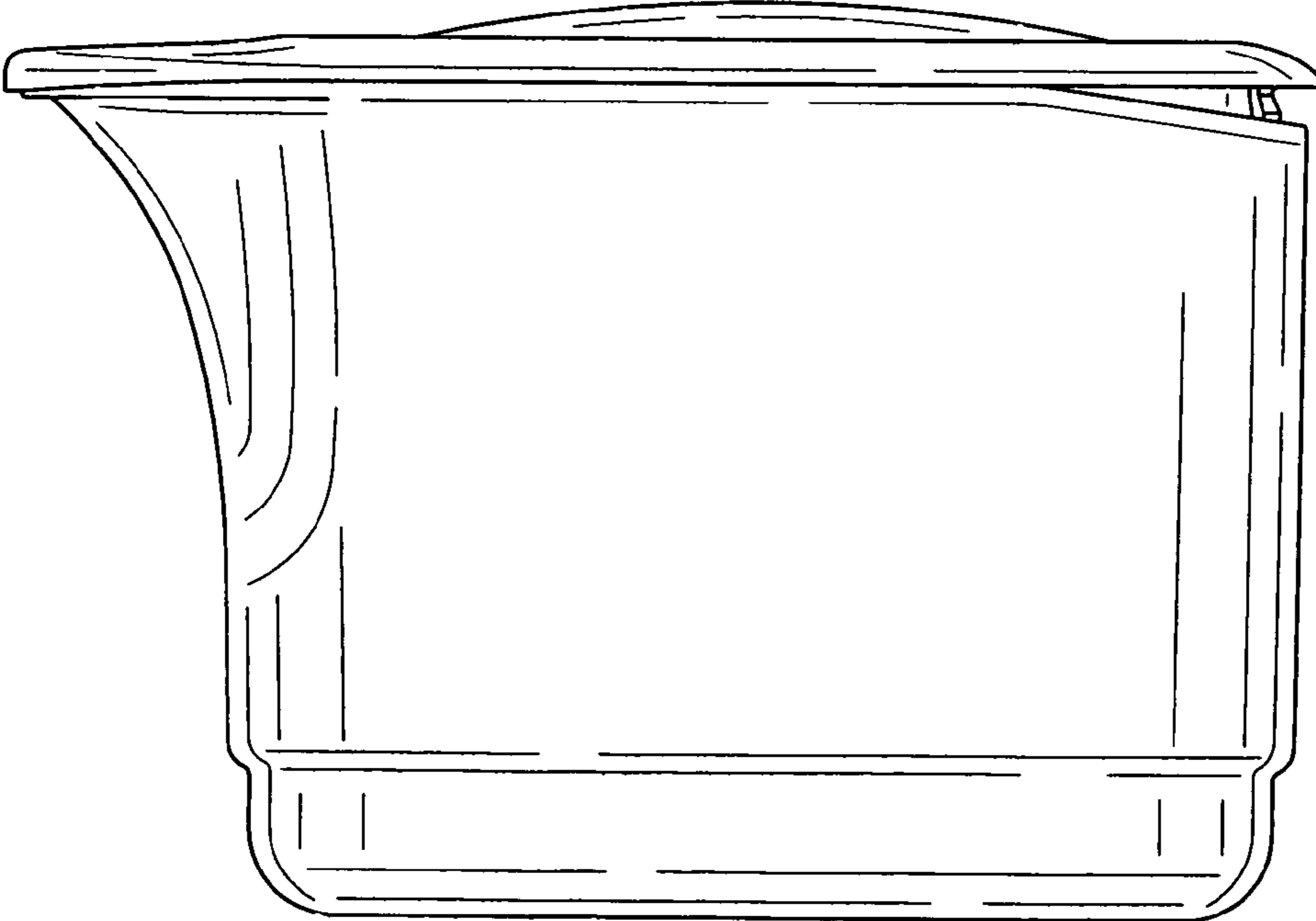


FIG. 2

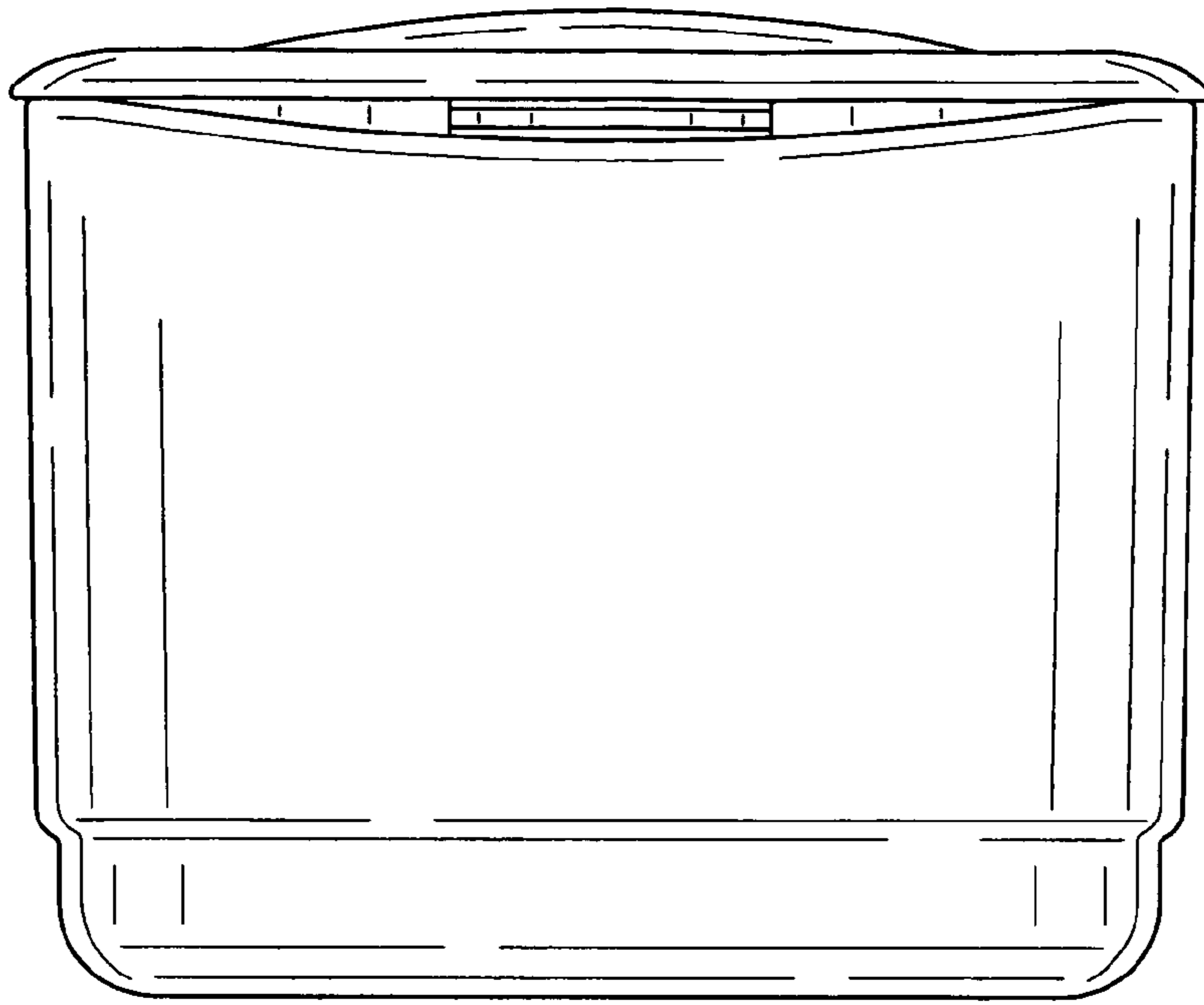


FIG. 3

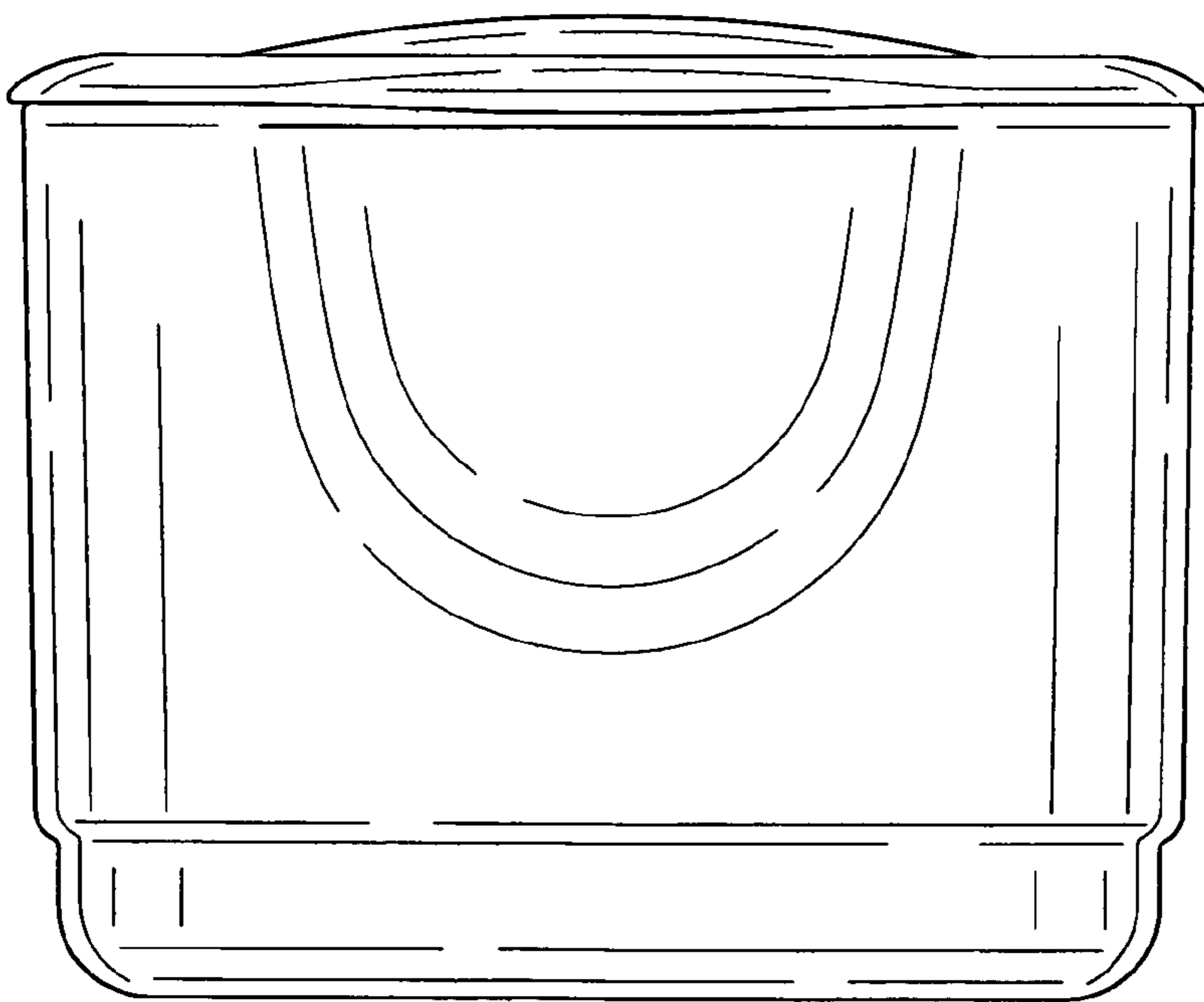


FIG. 4

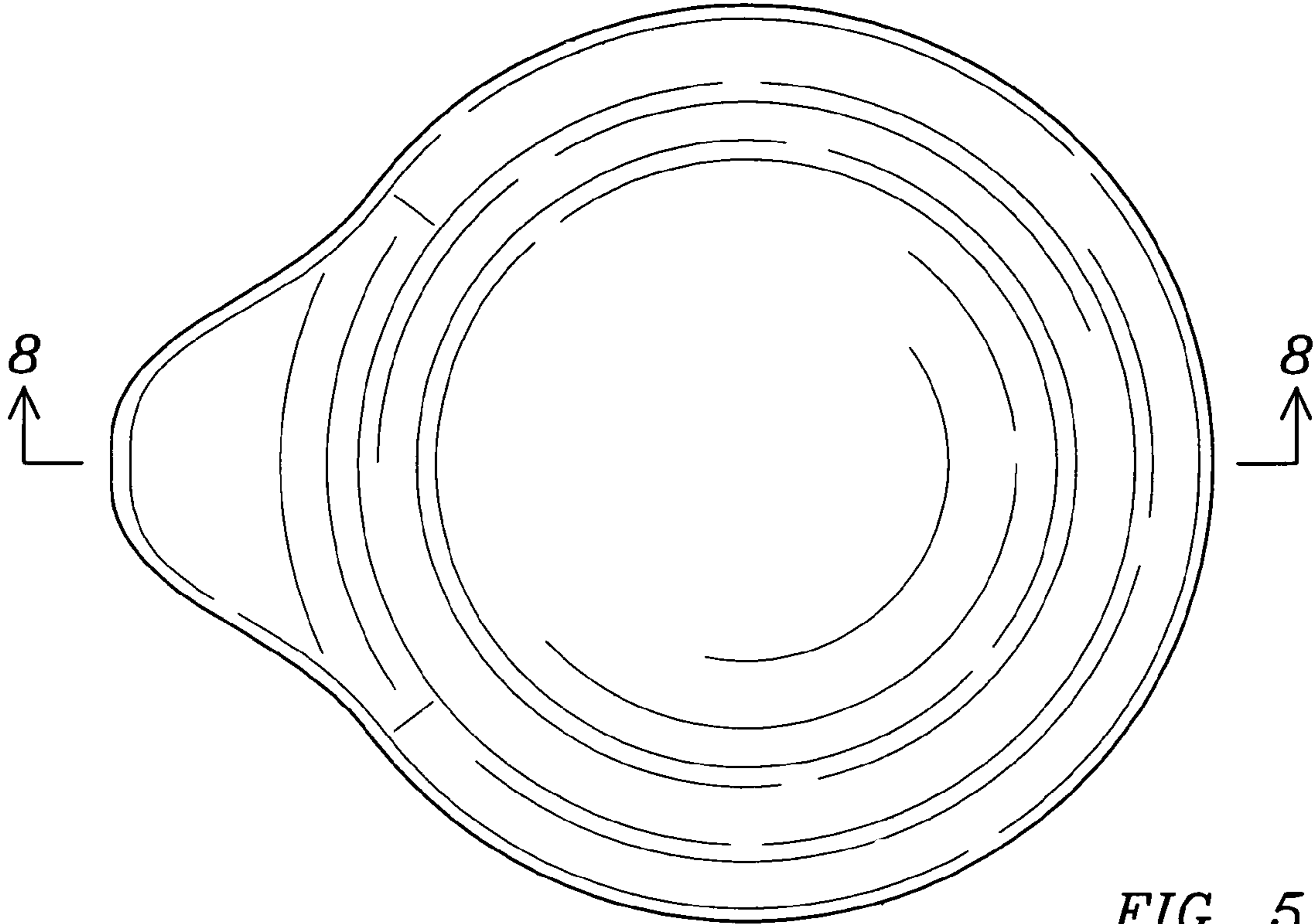


FIG. 5

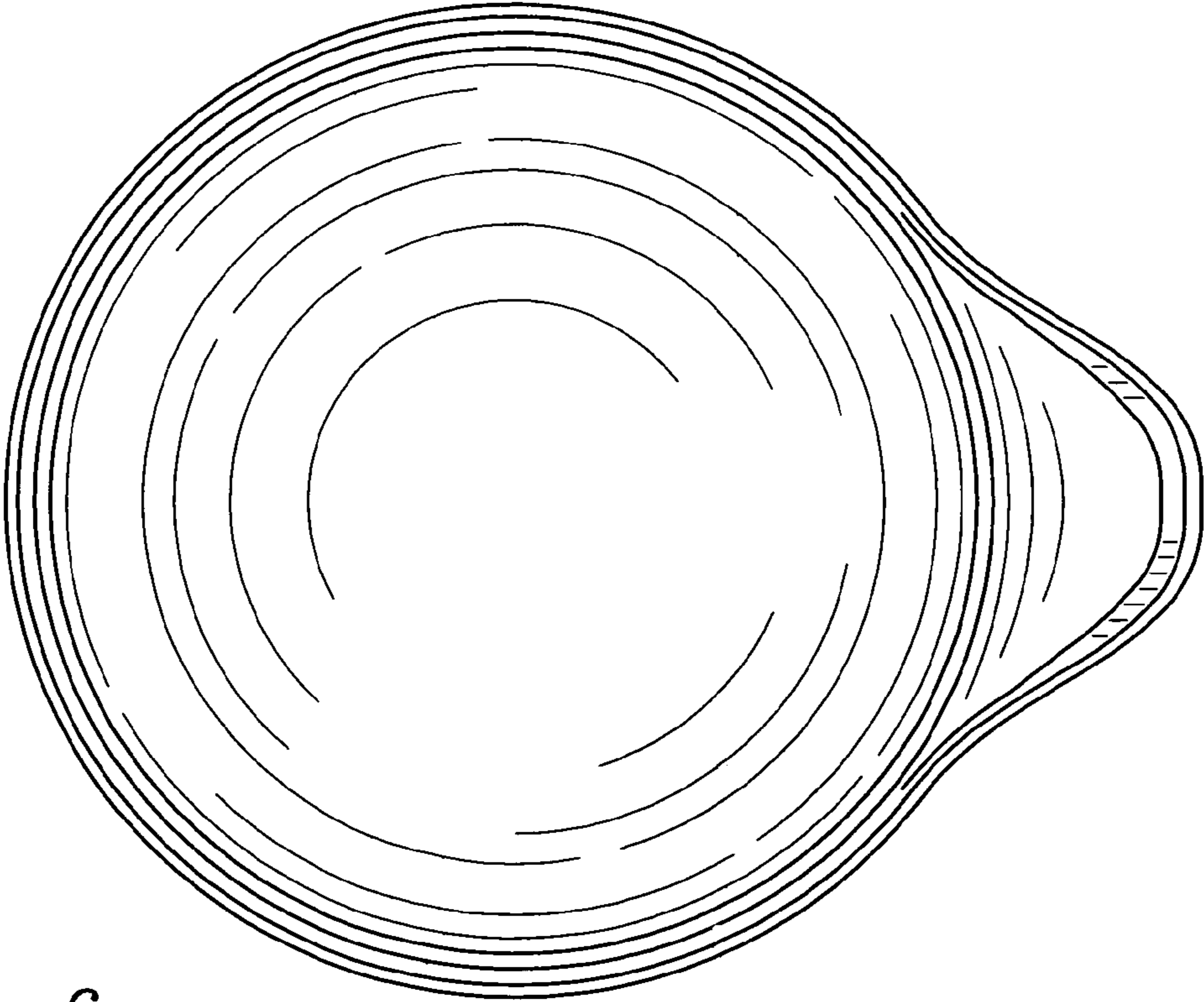


FIG. 6

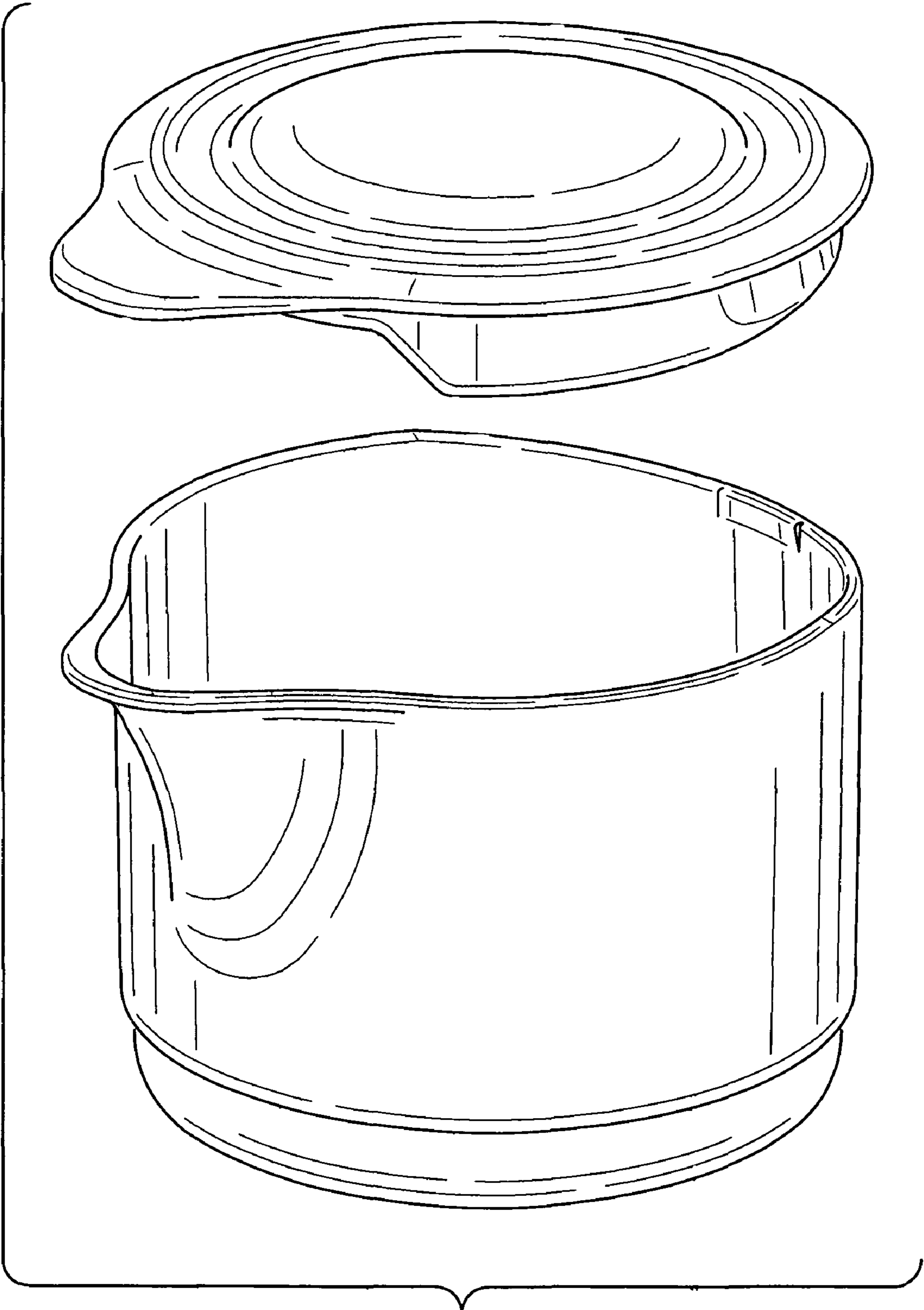


FIG. 7

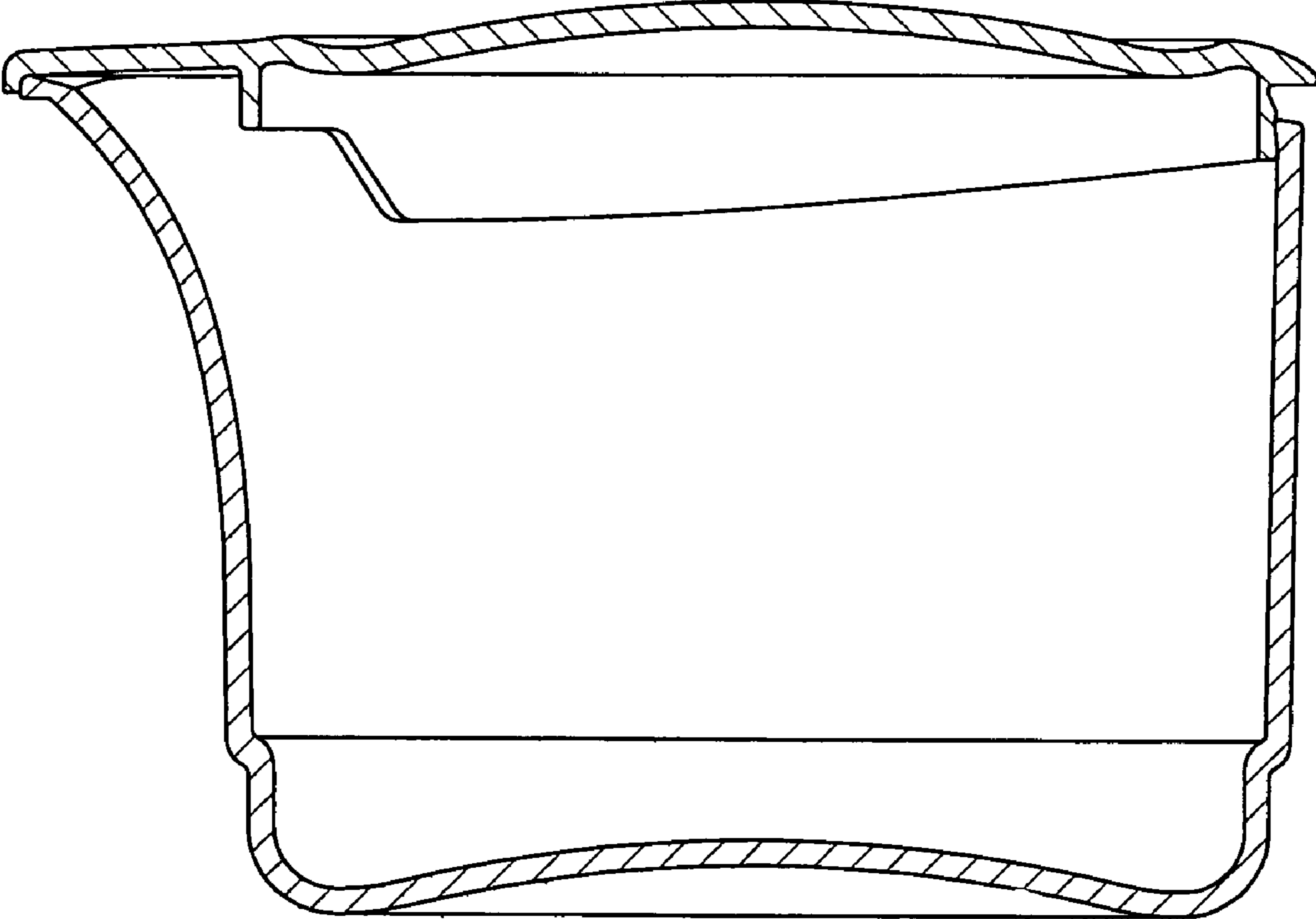


FIG. 8