



US00D676265S

(12) **United States Design Patent**  
**Tawil**

(10) **Patent No.:** **US D676,265 S**

(45) **Date of Patent:** **\*\* Feb. 19, 2013**

(54) **POD STORAGE DRAWER**

(75) Inventor: **Joseph Tawil**, Brooklyn, NY (US)

(73) Assignee: **IDP L.L.C.**, New York, NY (US)

(\*\*) Term: **14 Years**

(21) Appl. No.: **29/414,347**

(22) Filed: **Feb. 28, 2012**

(51) **LOC (9) Cl.** ..... **06-06**

(52) **U.S. Cl.** ..... **D6/510**

(58) **Field of Classification Search** ..... D6/300,  
D6/309, 396, 420, 425, 432-448, 460-468,  
D6/474-479, 491-495, 509-511, 559; D7/409,  
D7/600.1-600.4; 248/188, 188.1, 188.8;  
312/107-109, 138.1, 194, 198, 204-217,  
312/224-237, 257.1, 278-279, 330.1  
See application file for complete search history.

(56) **References Cited**

U.S. PATENT DOCUMENTS

6,840,593	B2 *	1/2005	Remmers	.....	312/330.1
D547,094	S *	7/2007	Klein et al.	.....	D6/462
D628,444	S	12/2010	Snider		
D628,445	S	12/2010	Snider		
D644,069	S *	8/2011	Tiemann	.....	D7/600.4

D644,491	S *	9/2011	Snider	.....	D7/600.1
D659,481	S *	5/2012	Tiemann	.....	D7/600.1
D659,482	S *	5/2012	Snider	.....	D7/600.1
D660,088	S *	5/2012	Tiemann	.....	D7/600.1
D660,652	S *	5/2012	Tiemann	.....	D7/600.1
D661,951	S *	6/2012	Tiemann	.....	D7/600.1
D665,230	S *	8/2012	Snider	.....	D7/600.1

\* cited by examiner

*Primary Examiner* — Ricky Pham

(74) *Attorney, Agent, or Firm* — Kirschstein, et al.

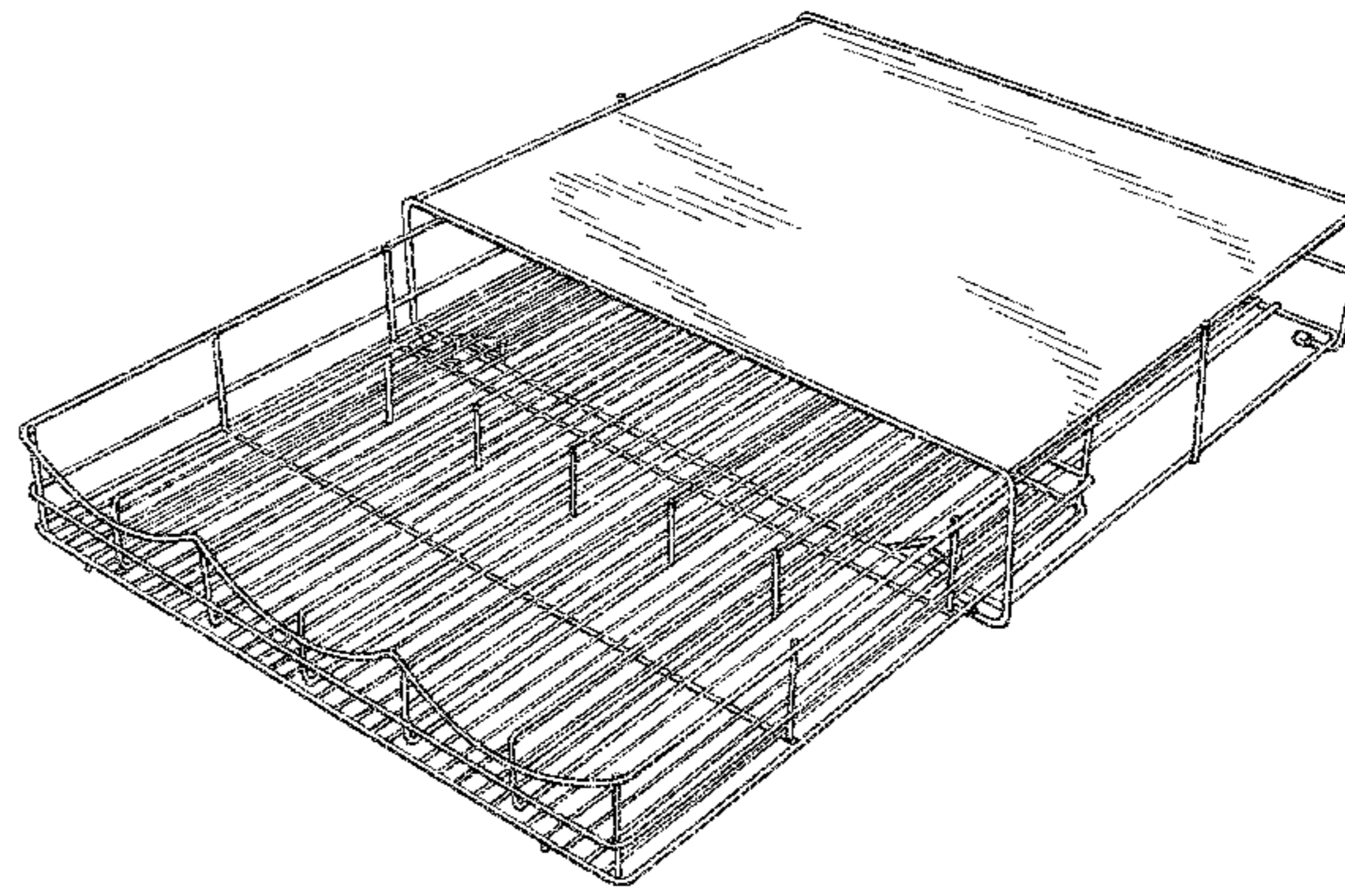
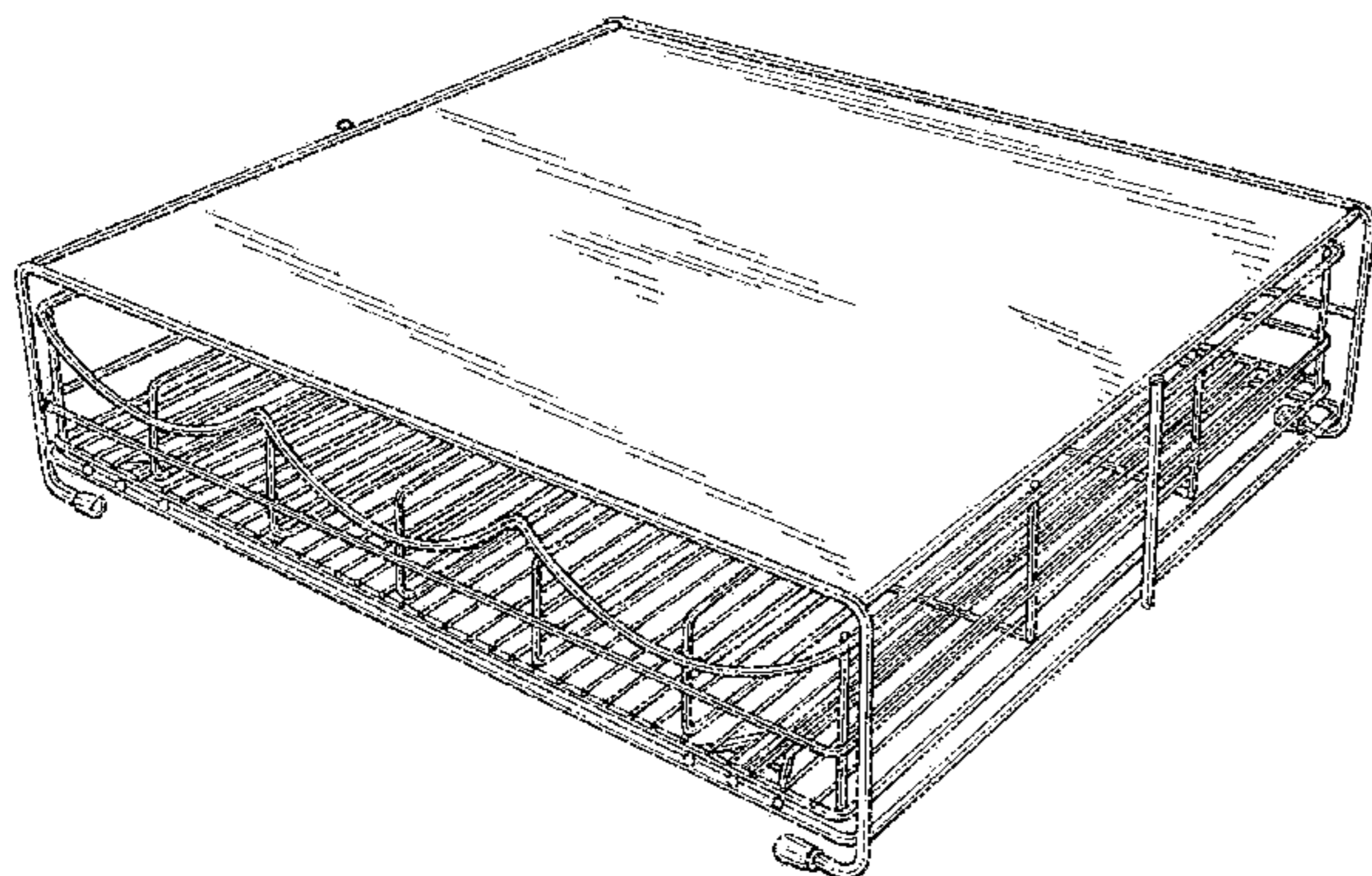
(57) **CLAIM**

The ornamental design for a pod storage drawer, as shown and described.

**DESCRIPTION**

FIG. 1 is a perspective view of a pod storage drawer, in a closed position, according to my new design;  
FIG. 2 is a top plan view thereof;  
FIG. 3 is a front elevational view thereof;  
FIG. 4 is a side elevational view thereof, the opposite side being a minor image;  
FIG. 5 is a rear elevational view thereof;  
FIG. 6 is a bottom plan view thereof; and,  
FIG. 7 is a perspective view of the pod storage drawer, in an open position.

**1 Claim, 5 Drawing Sheets**



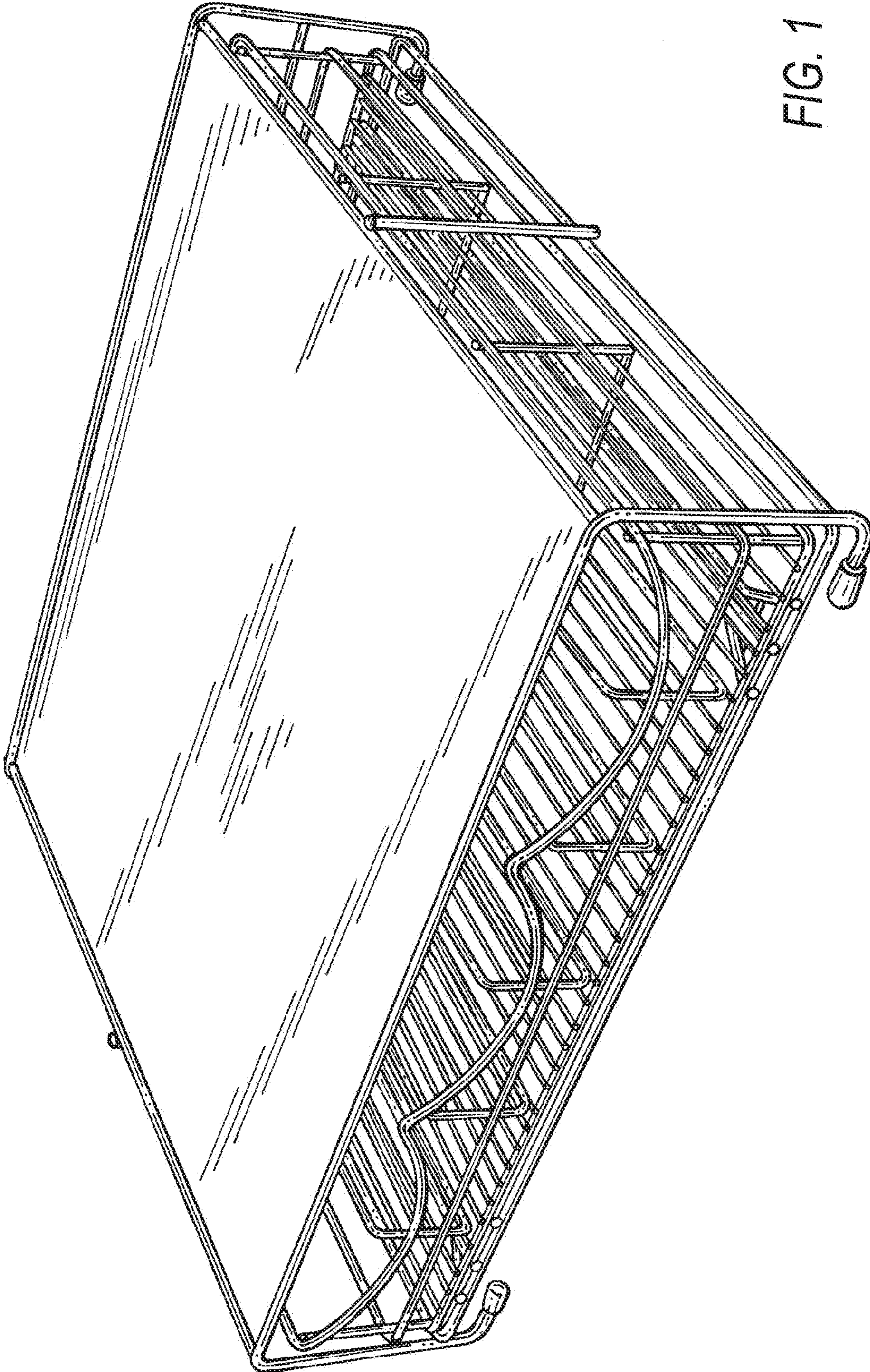


FIG. 1

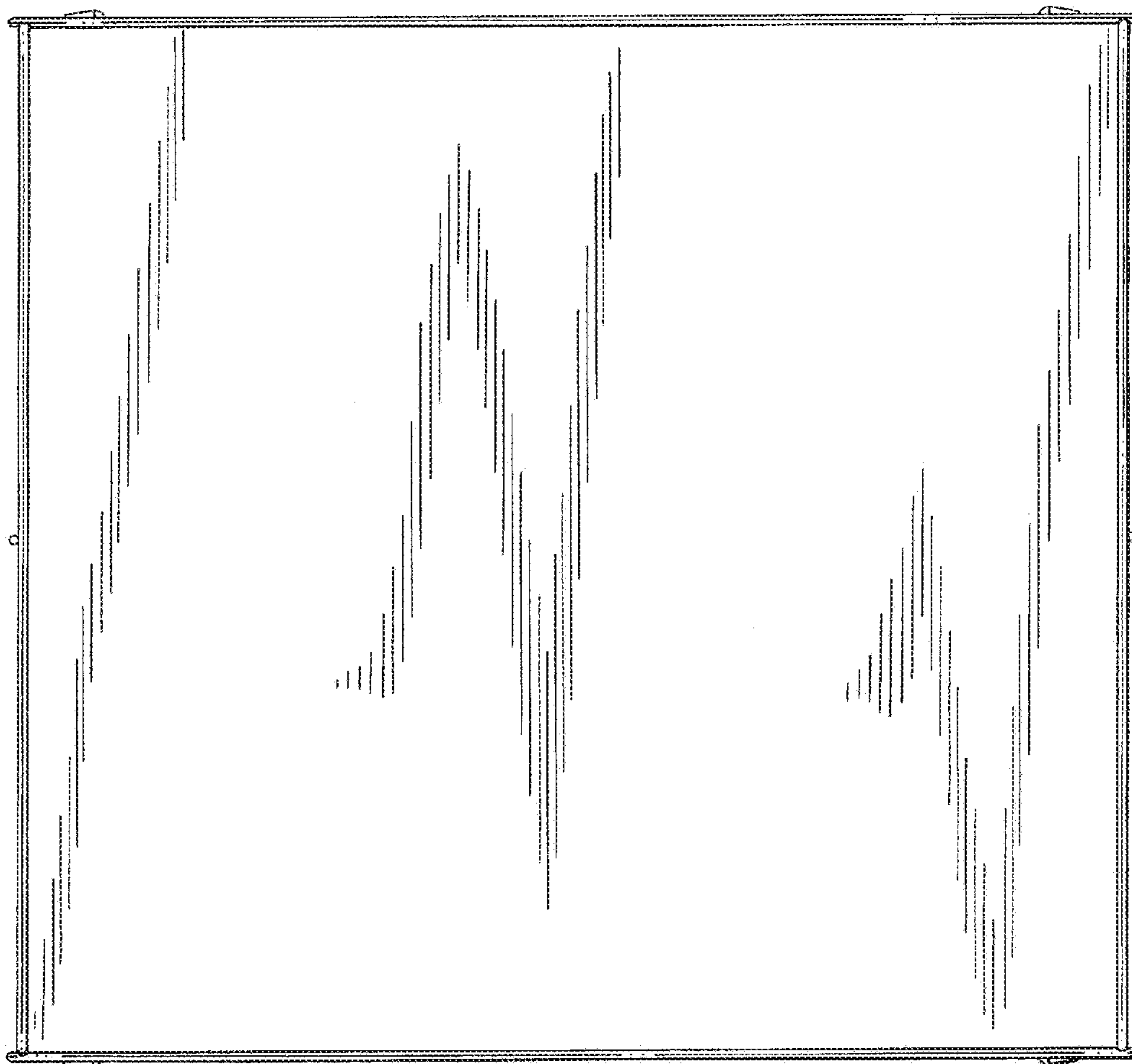


FIG. 2

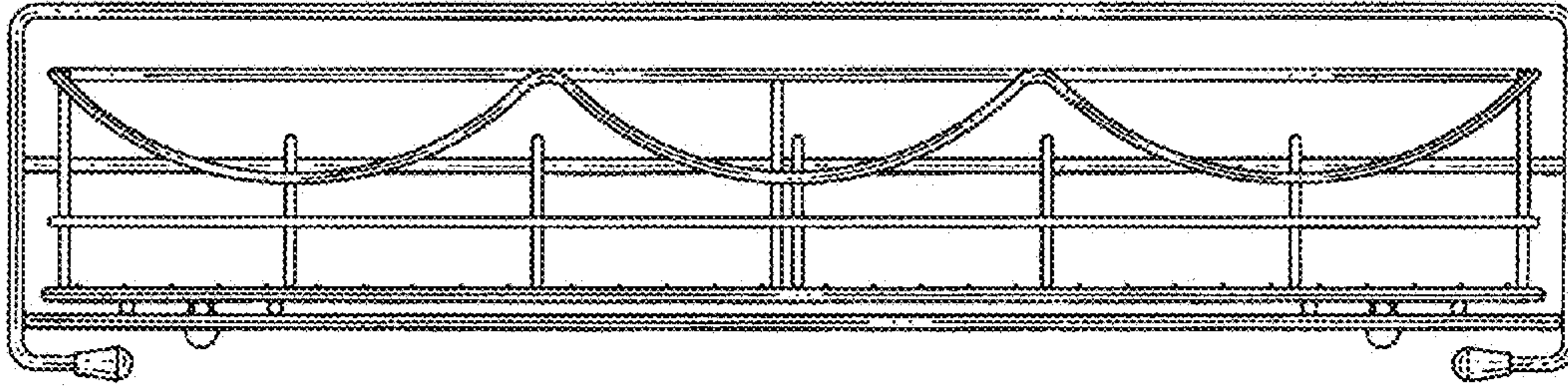


FIG. 3

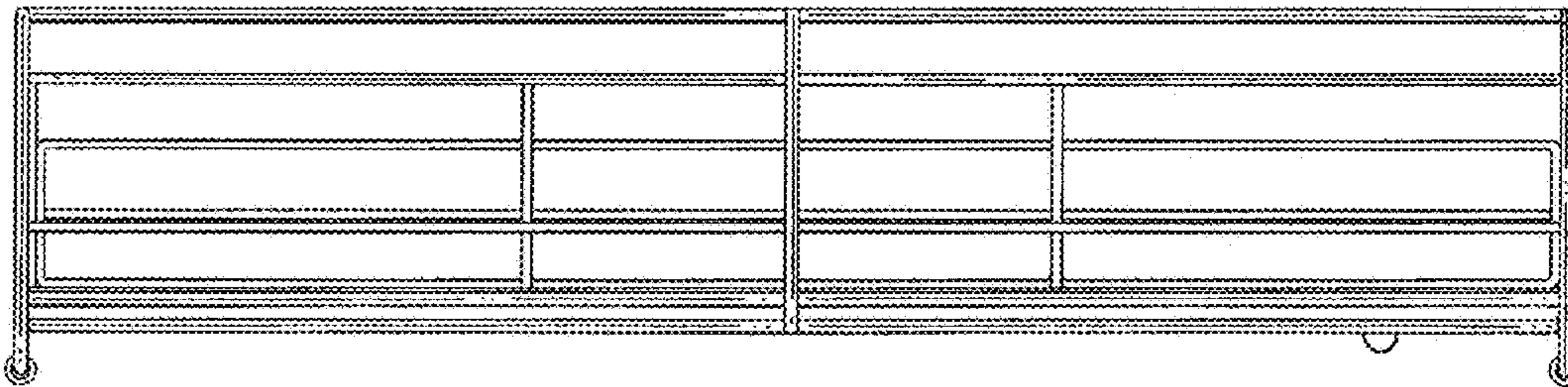


FIG. 4

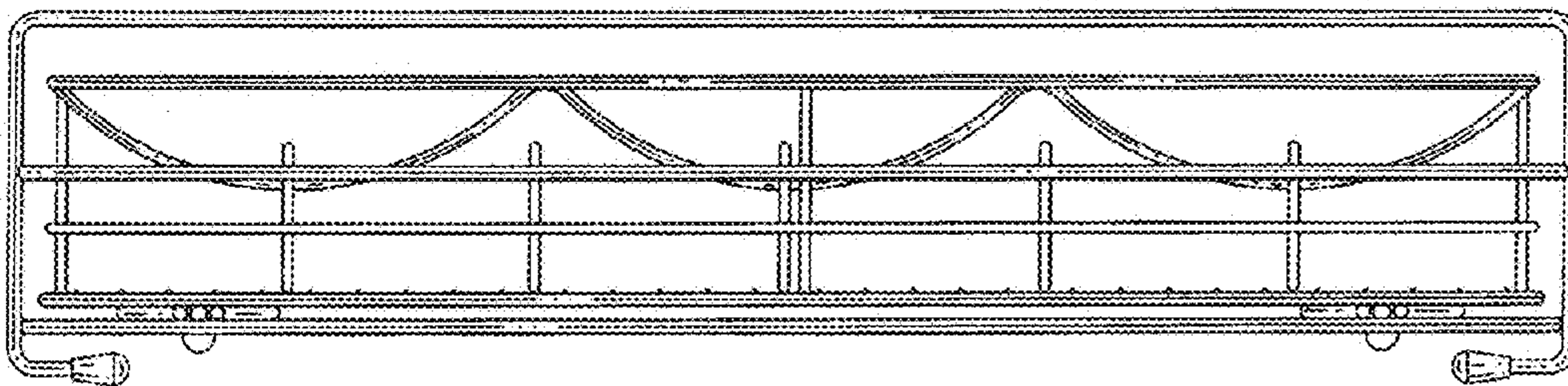


FIG. 5

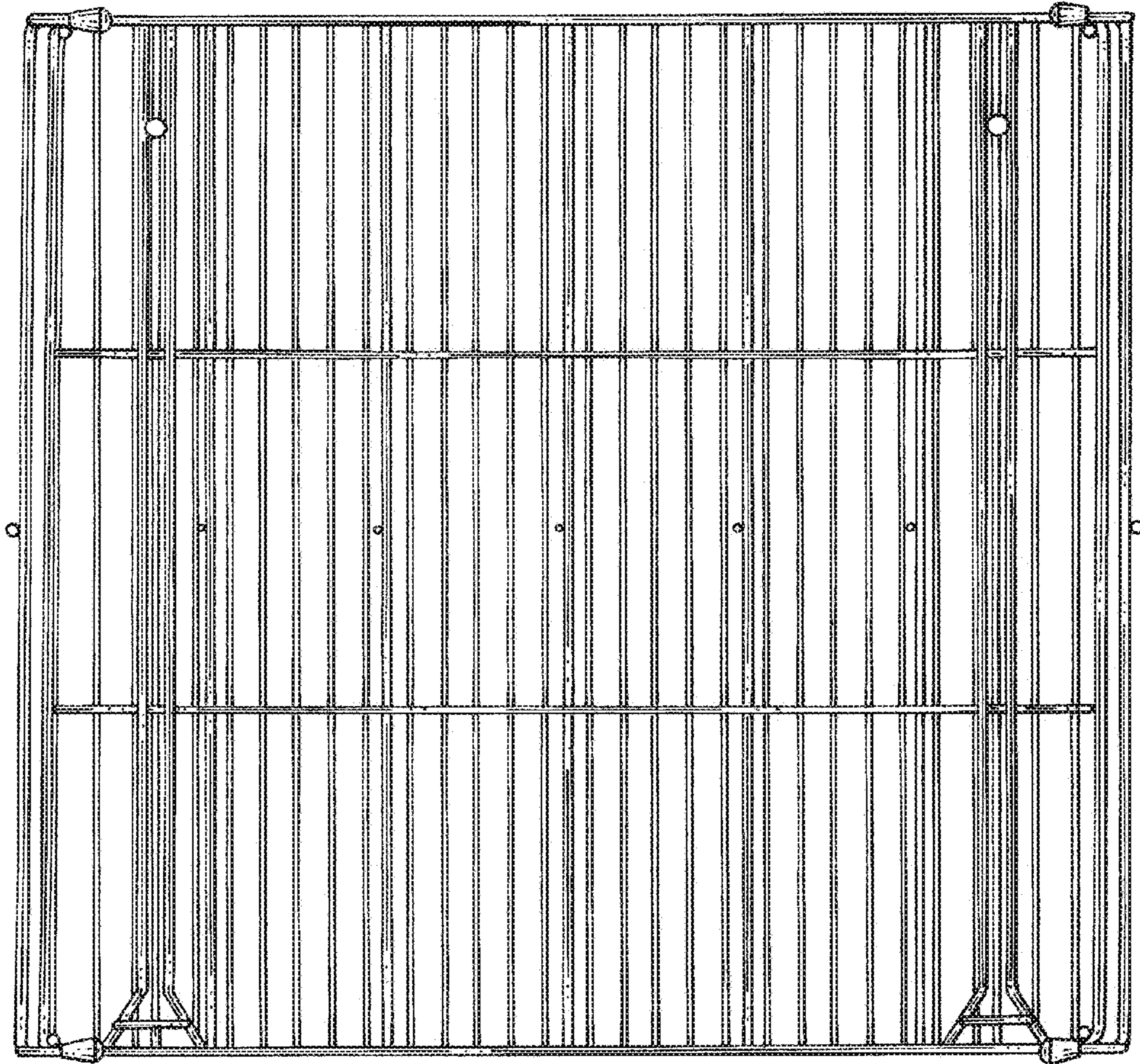


FIG. 6

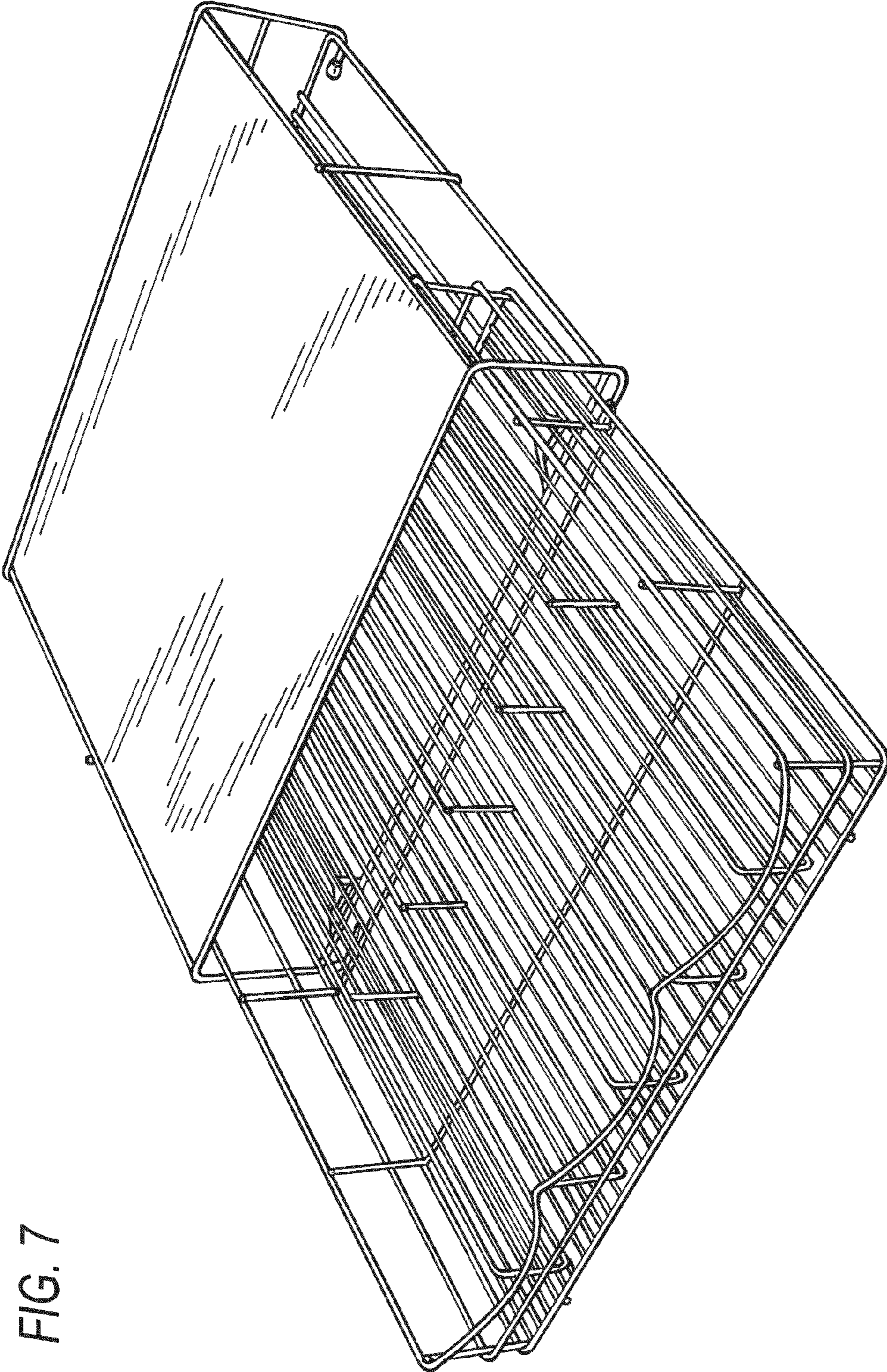


FIG. 7