



US00D676261S

(12) **United States Design Patent**
Kobayashi

(10) **Patent No.:** **US D676,261 S**

(45) **Date of Patent:** **** Feb. 19, 2013**

(54) **DISPLAY SHELF**

(76) Inventor: **Akihiro Kobayashi**, Toda (JP)

(**) Term: **14 Years**

(21) Appl. No.: **29/430,333**

(22) Filed: **Aug. 23, 2012**

(51) **LOC (9) Cl.** **06-06**

(52) **U.S. Cl.** **D6/475**

(58) **Field of Classification Search** D6/450,
D6/455, 460-461, 475, 477-479, 509-511;
211/71.01, 133.1-133.2, 92-93, 134, 153,
211/188; 108/144.11, 147.11, 147.12, 147.13,
108/147.15, 147.17

See application file for complete search history.

(56) **References Cited**

U.S. PATENT DOCUMENTS

D243,984 S *	4/1977	Christen, Jr.	D6/405
D270,317 S *	8/1983	Fleming	D6/484
D276,963 S *	1/1985	Ameduri	D6/470
D293,635 S *	1/1988	Goetz	D6/449
D321,101 S *	10/1991	Zucker	D6/479
D321,297 S *	11/1991	Winzeler, III	D6/495
D329,556 S *	9/1992	Brussing	D6/468
D366,744 S *	1/1996	Bailey	D34/12
D375,212 S *	11/1996	Colquhoun	D6/429
D380,324 S *	7/1997	Kramer et al.	D6/511
D385,726 S *	11/1997	Dardashti	D6/474
D401,786 S *	12/1998	Sinclair	D6/462

D417,978 S *	12/1999	Reed	D6/468
D426,729 S *	6/2000	Draheim et al.	D6/479
6,220,464 B1 *	4/2001	Battaglia et al.	211/187
D447,361 S *	9/2001	Adler	D6/449
D448,217 S *	9/2001	Ullman	D6/484
D463,681 S *	10/2002	Andersen et al.	D6/449
6,540,191 B2 *	4/2003	Liu	248/422
D487,365 S *	3/2004	Bourne	D6/462
D528,381 S *	9/2006	Clark	D7/704
D528,828 S *	9/2006	Sandler	D6/480
D569,180 S *	5/2008	Rathburn	D7/409
D594,252 S *	6/2009	Gehring	D6/465
7,857,738 B2 *	12/2010	Reyes	482/130
D643,235 S *	8/2011	Perry	D6/511
D655,108 S *	3/2012	Majrani	D6/479

* cited by examiner

Primary Examiner — Kelley Donnelly

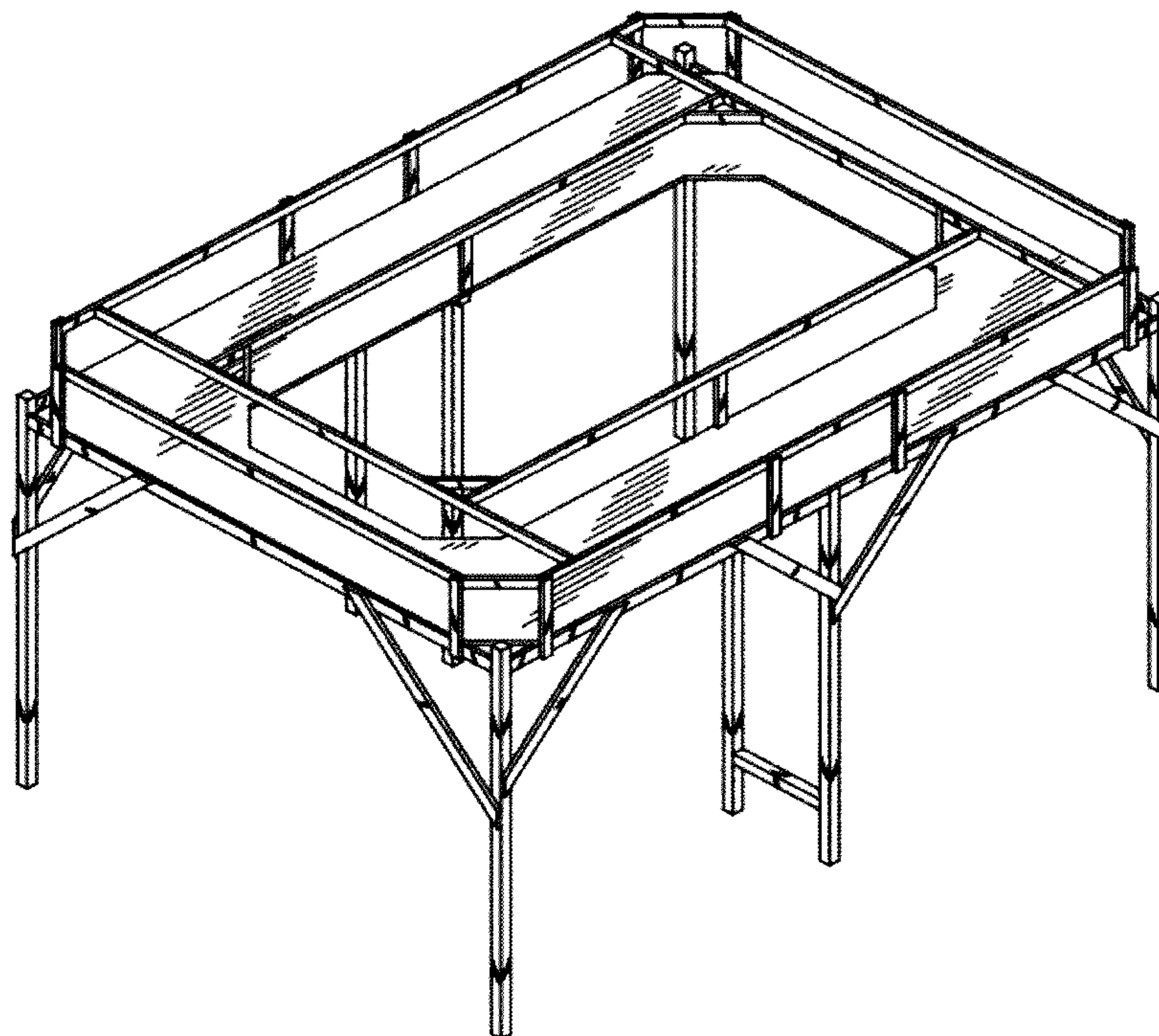
(57) **CLAIM**

The ornamental design for a display shelf, as shown and described.

DESCRIPTION

FIG. 1 is a perspective view of a display shelf showing my new design;
FIG. 2 is a front elevational view thereof, a rear elevational view being identical to the view of FIG. 2;
FIG. 3 is a left side elevational view thereof, the opposite side view being identical to the view of FIG. 3;
FIG. 4 is a top plan view thereof; and,
FIG. 5 is a bottom plan view thereof.

1 Claim, 4 Drawing Sheets



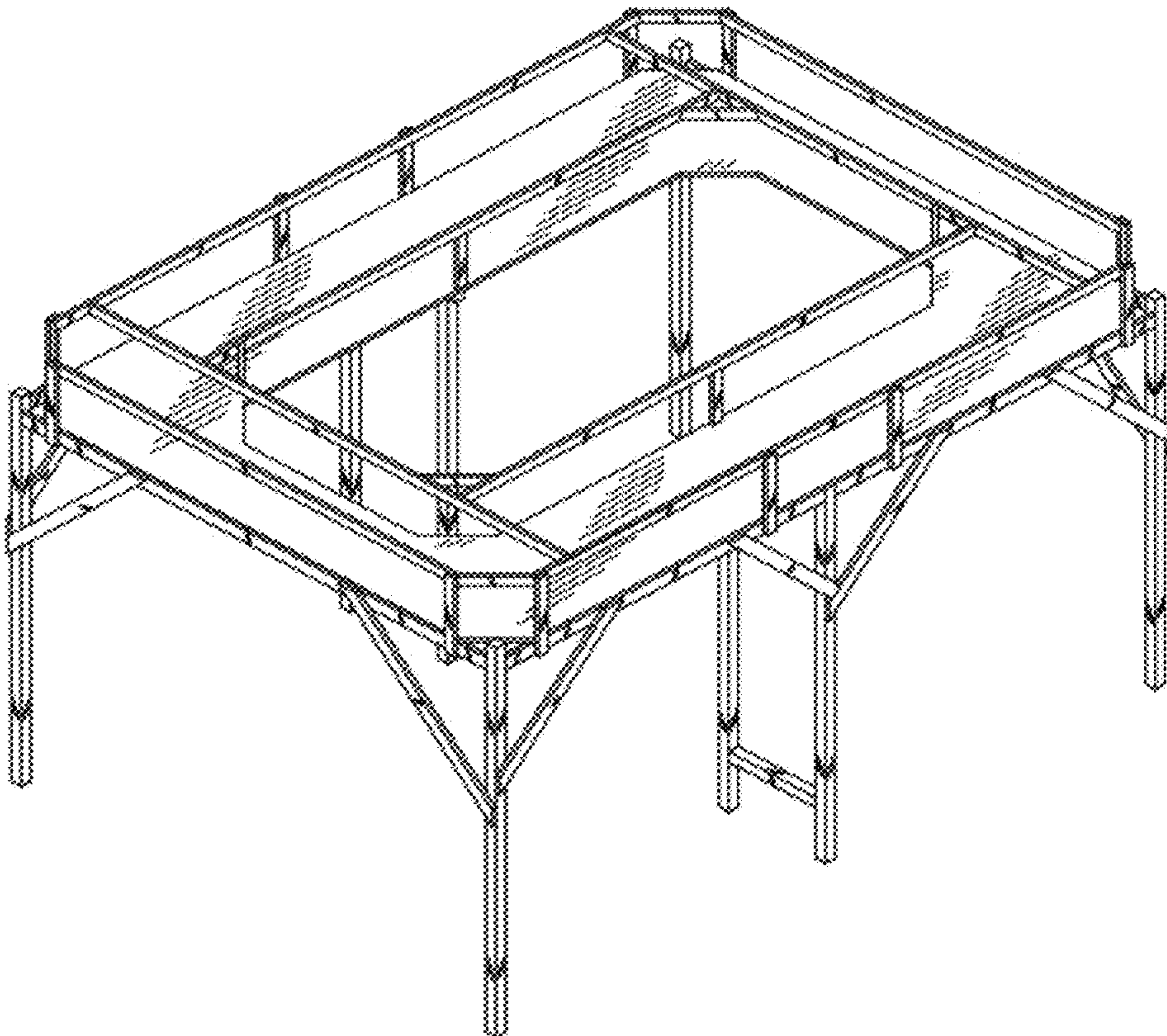


FIG. 1

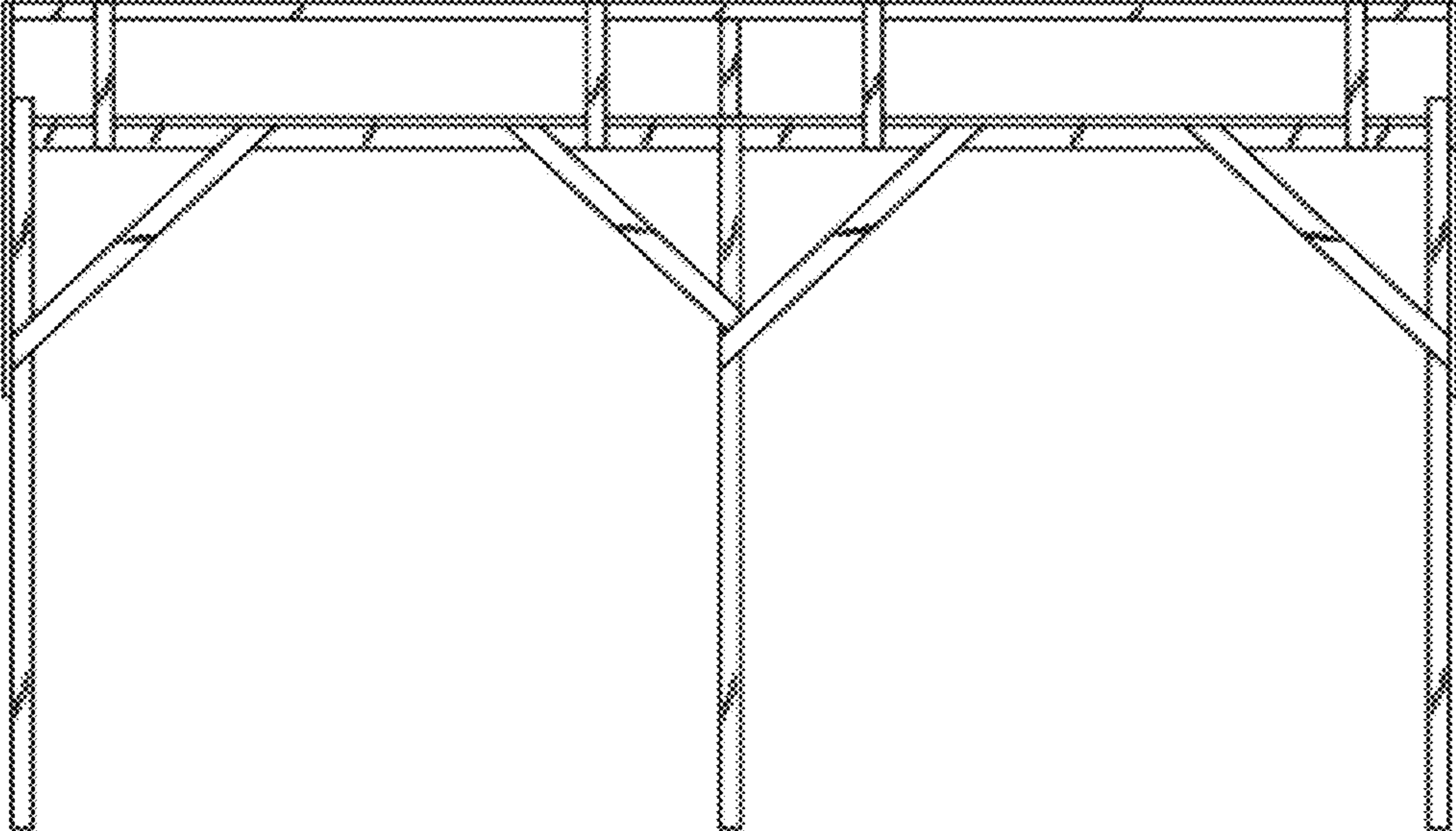


FIG. 2

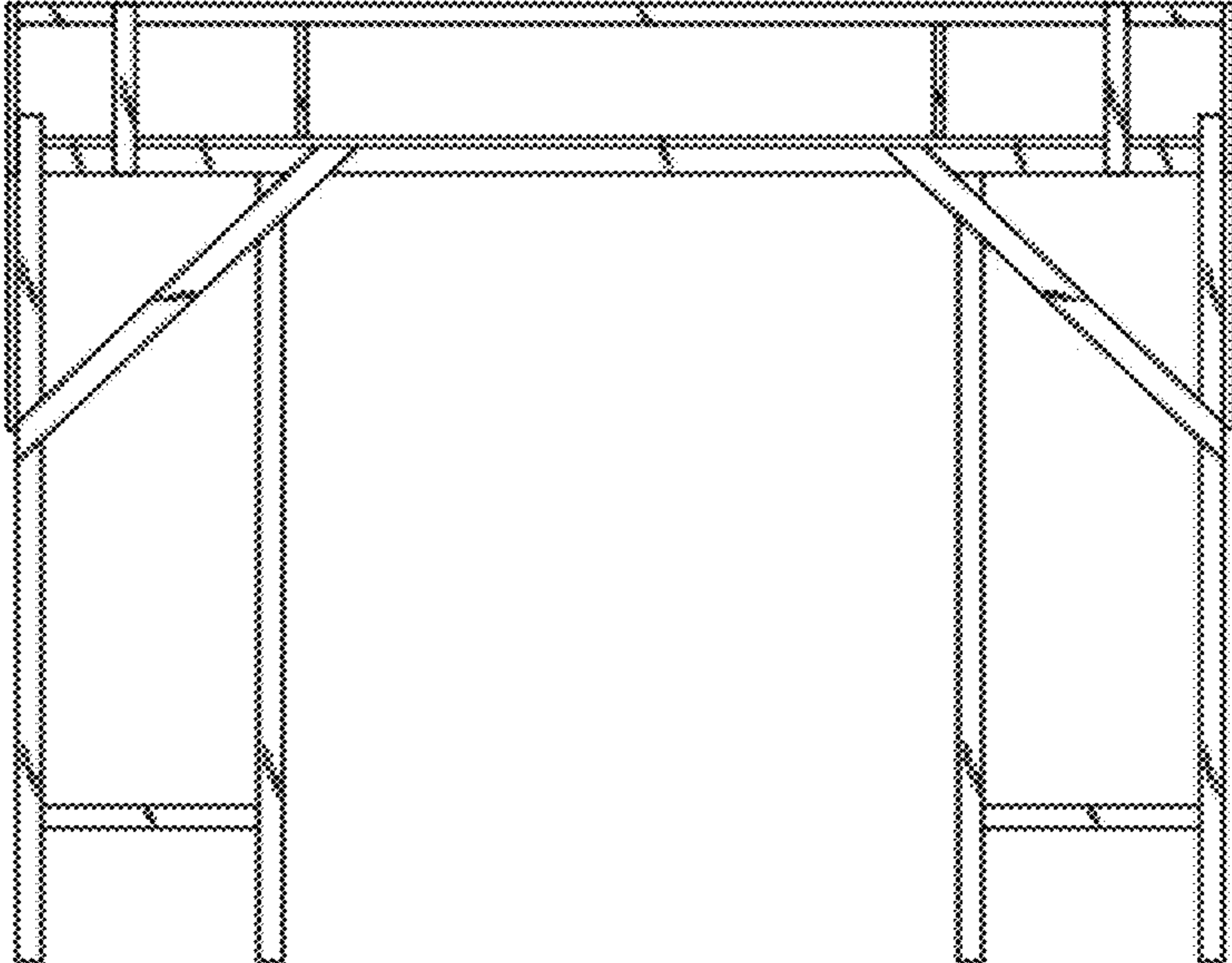


FIG. 3

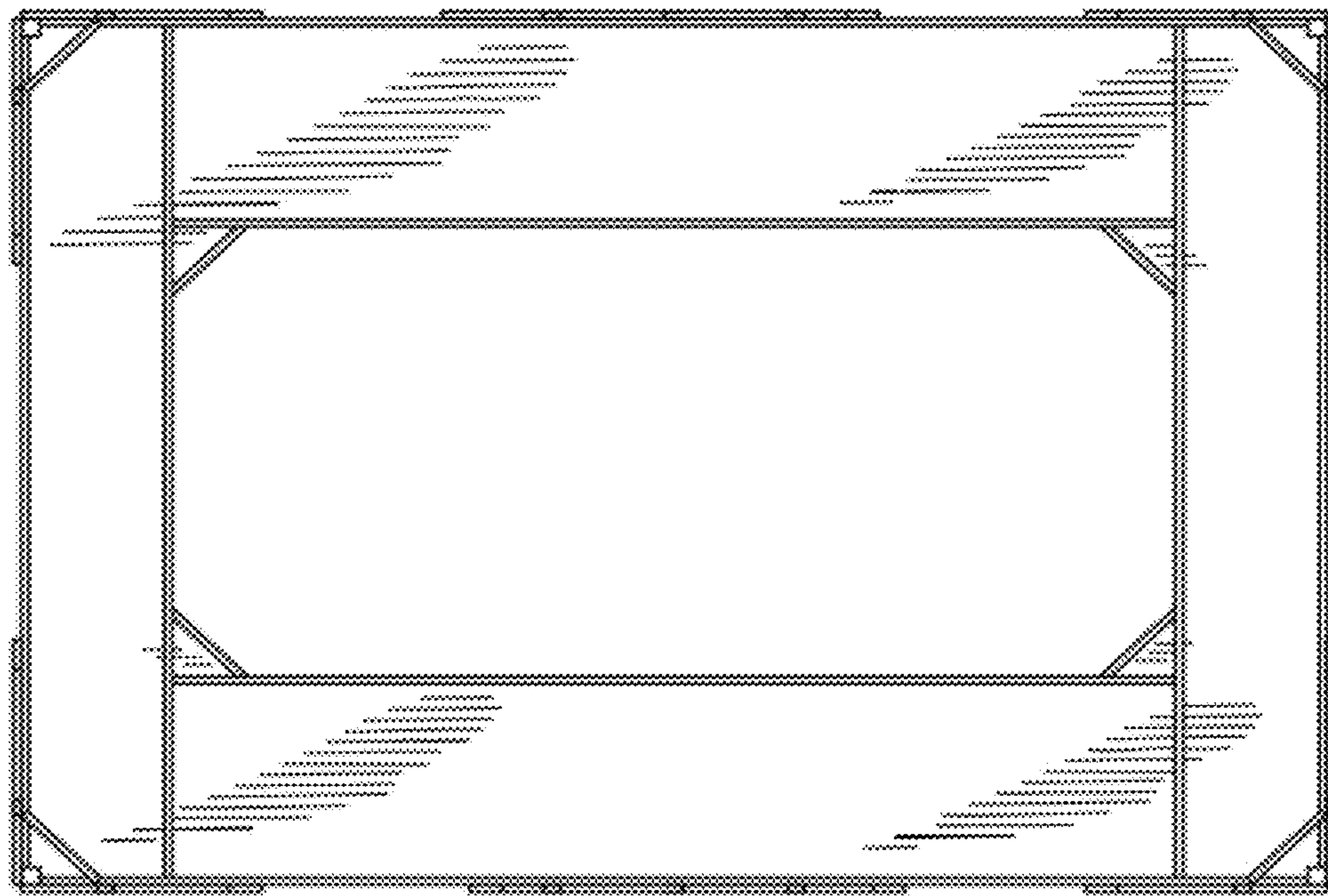


FIG. 4

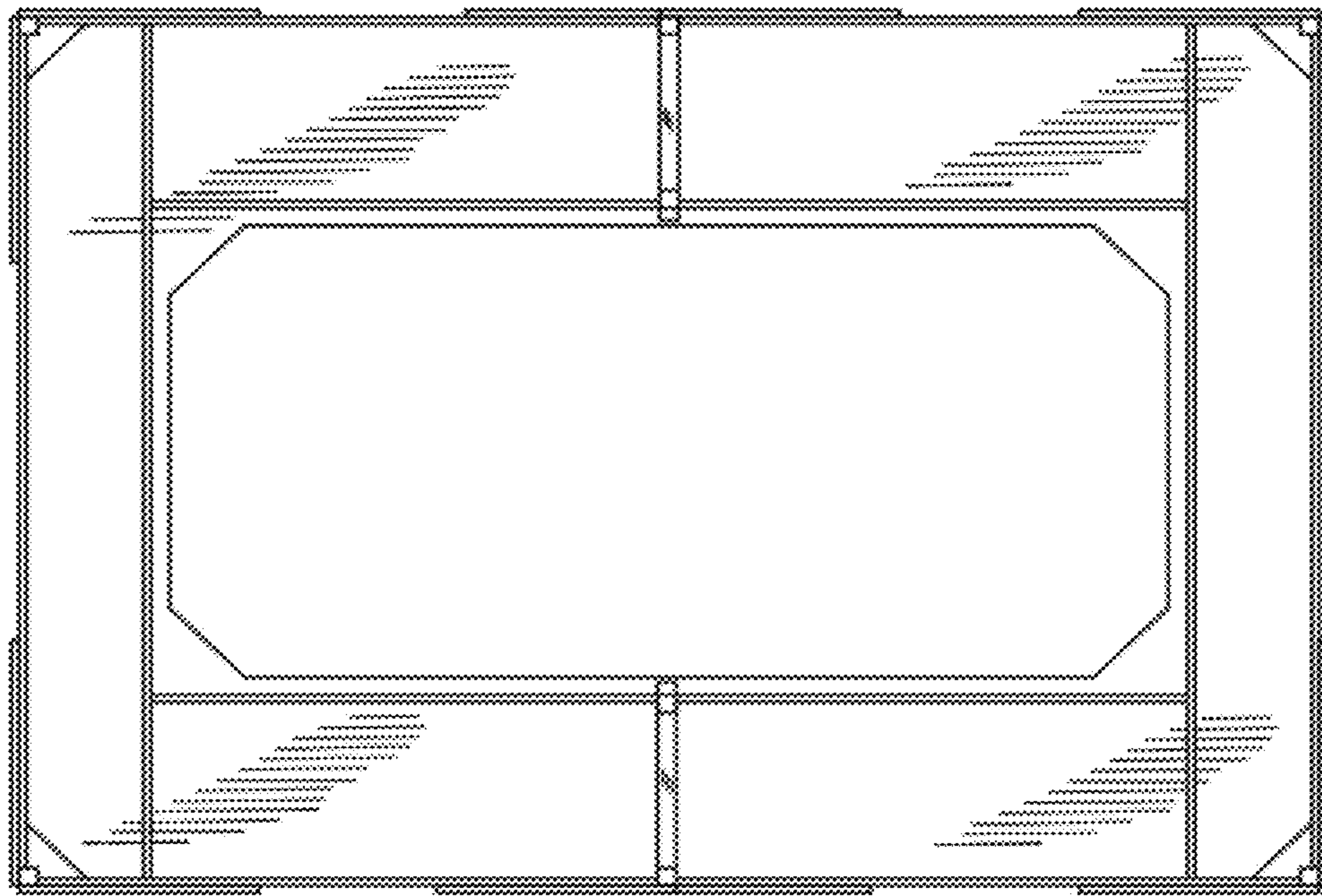


FIG. 5