



US00D676260S

(12) **United States Design Patent**  
**Dobelbower**

(10) **Patent No.:** **US D676,260 S**

(45) **Date of Patent:** **\*\* Feb. 19, 2013**

(54) **ROTATING STORAGE RACK ASSEMBLY**

(76) Inventor: **Peter Dobelbower**, Edmond, OK (US)

(\*\*) Term: **14 Years**

(21) Appl. No.: **29/415,353**

(22) Filed: **Mar. 9, 2012**

(51) **LOC (9) Cl.** ..... **06-04**

(52) **U.S. Cl.** ..... **D6/456**

(58) **Field of Classification Search** ..... D6/456,  
D6/397, 449, 450, 467, 396, 511; 211/164,  
211/131.2; 415/1; 414/426; D30/124; 472/13;  
119/57.8

See application file for complete search history.

(56) **References Cited**

**U.S. PATENT DOCUMENTS**

|               |         |                |           |
|---------------|---------|----------------|-----------|
| 125,928 A     | 4/1872  | Blake          |           |
| 141,064 A *   | 7/1873  | McMahon        | 211/164   |
| 380,897 A     | 4/1888  | Jewell         |           |
| 518,526 A     | 4/1894  | Jewett         |           |
| 1,269,825 A   | 6/1918  | Langdon        |           |
| 1,552,290 A * | 9/1925  | Fowler         | 211/131.2 |
| 1,893,552 A   | 1/1933  | King           |           |
| 1,920,663 A   | 8/1933  | Palmer         |           |
| 2,138,190 A   | 11/1938 | Myers          |           |
| 2,646,891 A   | 7/1953  | Morgan         |           |
| 3,038,773 A   | 6/1962  | Vasbinder, Sr. |           |
| D225,870 S *  | 1/1973  | Morgison       | D6/456    |
| 3,732,829 A   | 5/1973  | Bech           |           |
| D239,685 S *  | 4/1976  | Peterson       | D6/456    |
| 4,303,283 A   | 12/1981 | Mueller        |           |
| 4,960,275 A * | 10/1990 | Magon          | 472/13    |
| 5,160,053 A   | 11/1992 | Graham et al.  |           |
| 5,167,330 A   | 12/1992 | Kveene         |           |
| 5,248,049 A * | 9/1993  | Murphy, Sr.    | 211/164   |
| 5,269,232 A   | 12/1993 | de Lasada      |           |

|                |         |               |          |
|----------------|---------|---------------|----------|
| 5,372,474 A *  | 12/1994 | Miller        | 415/1    |
| 5,924,580 A    | 7/1999  | Chase         |          |
| D471,326 S *   | 3/2003  | Weiser et al. | D30/124  |
| 6,557,491 B1 * | 5/2003  | Weiser et al. | 119/57.8 |
| D494,775 S *   | 8/2004  | Birmingham    | D6/456   |
| D508,349 S *   | 8/2005  | Wu            | D6/456   |
| D511,867 S *   | 11/2005 | Weiser et al. | D30/124  |
| 7,985,043 B2 * | 7/2011  | Cook          | 414/426  |

**OTHER PUBLICATIONS**

Web page at <http://www.oldethompson.com/store/viewProduct.asp?Product=554>, "20 Jar Ferris Wheel Spice Rack" (2006).

\* cited by examiner

*Primary Examiner* — Philip S Hyder

*Assistant Examiner* — Sydney Buffalow

(74) *Attorney, Agent, or Firm* — McAfee & Taft

(57) **CLAIM**

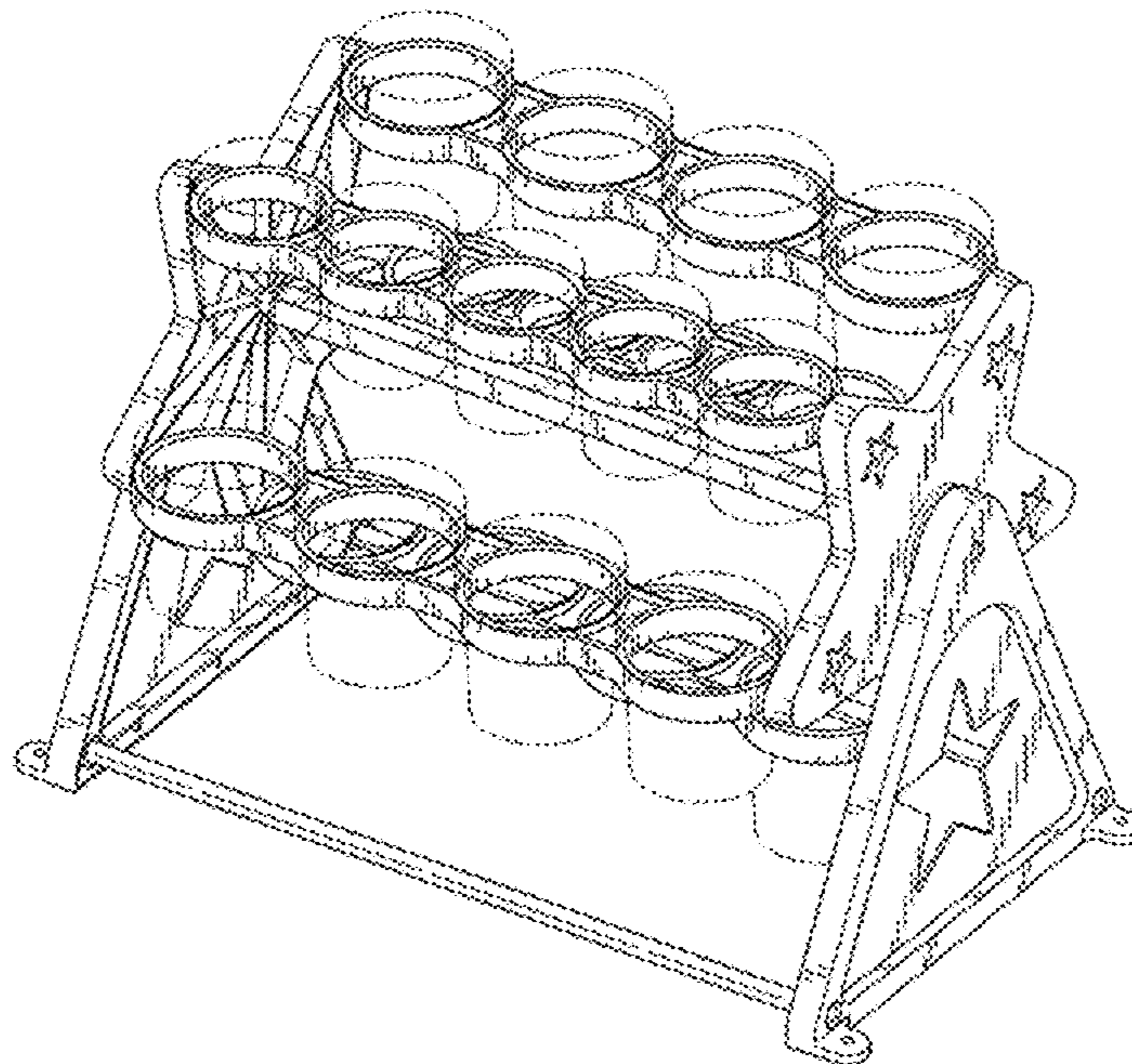
The ornamental design for a rotating storage rack assembly, as shown and described.

**DESCRIPTION**

FIG. 1 is a front perspective view of a rotating storage rack assembly according to an embodiment of my new design; FIG. 2 is a front elevational view thereof; FIG. 3 is a rear elevational view thereof; FIG. 4 is a left side elevation view thereof; and FIG. 5 is a right side elevational view thereof. FIG. 6 is a top plan view thereof; and, FIG. 7 is a bottom plan view thereof.

The broken lines shown herein are for illustrative purposes only and form no part of the claimed design.

**1 Claim, 4 Drawing Sheets**



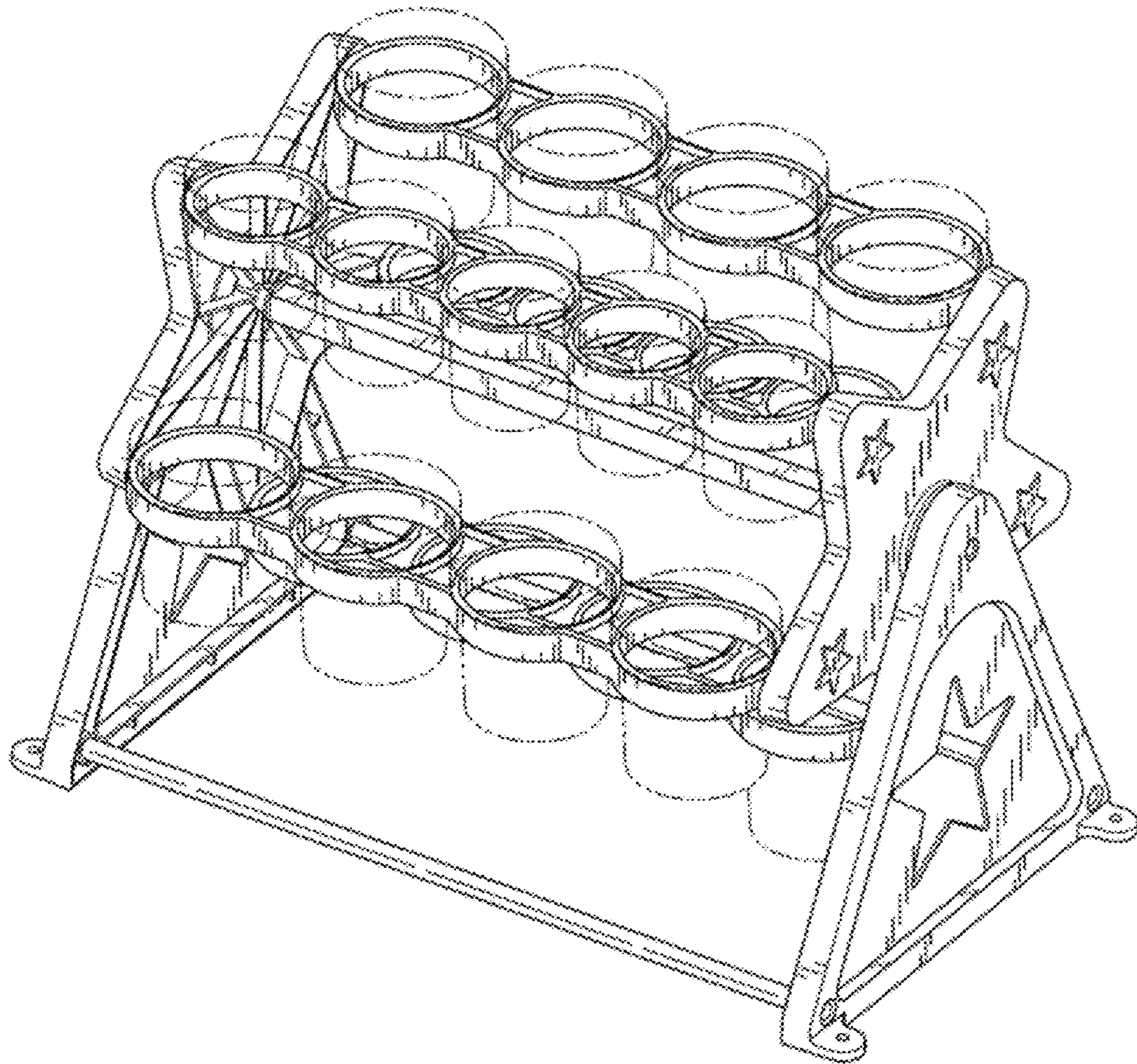


FIG. 1

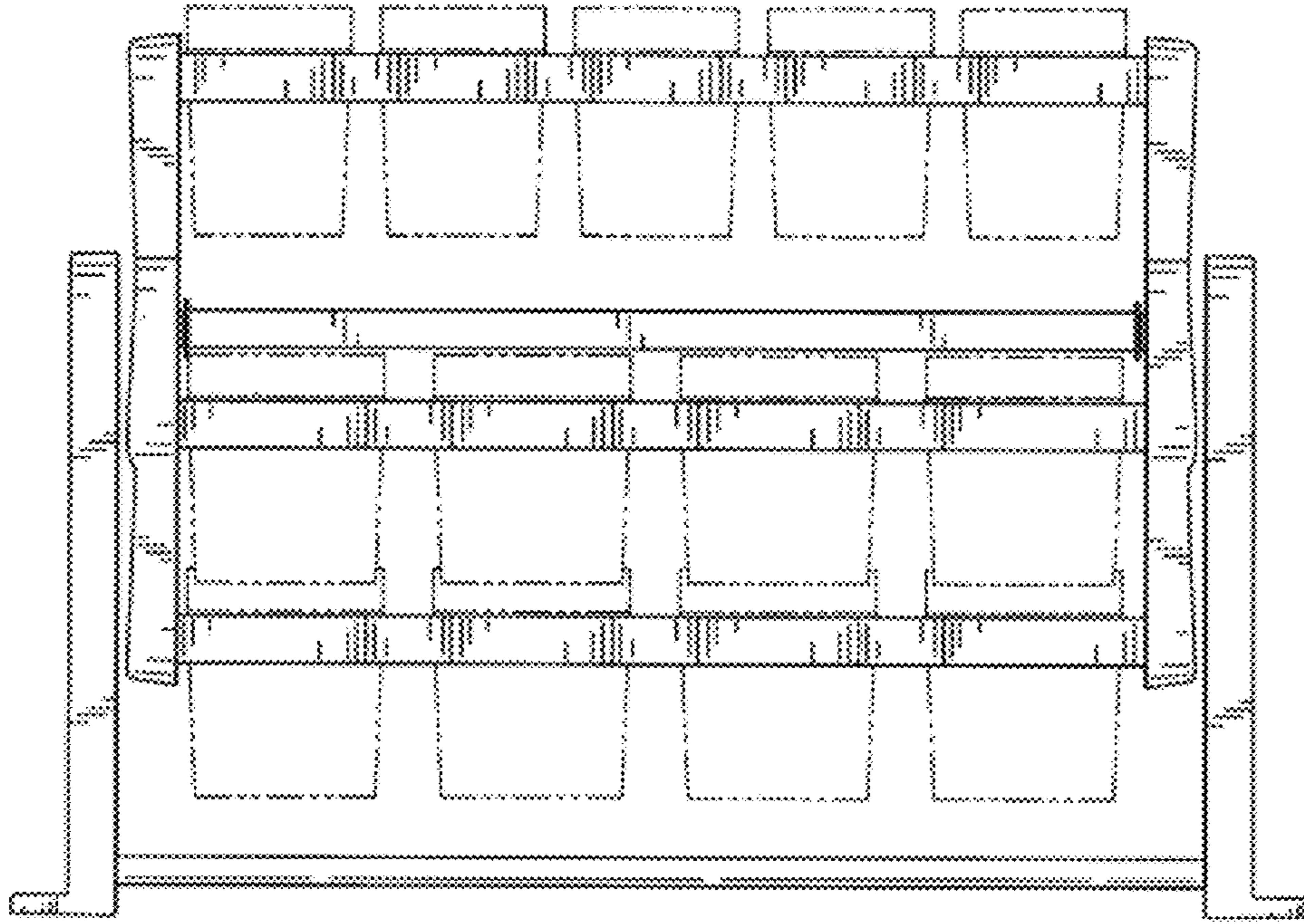


FIG. 1

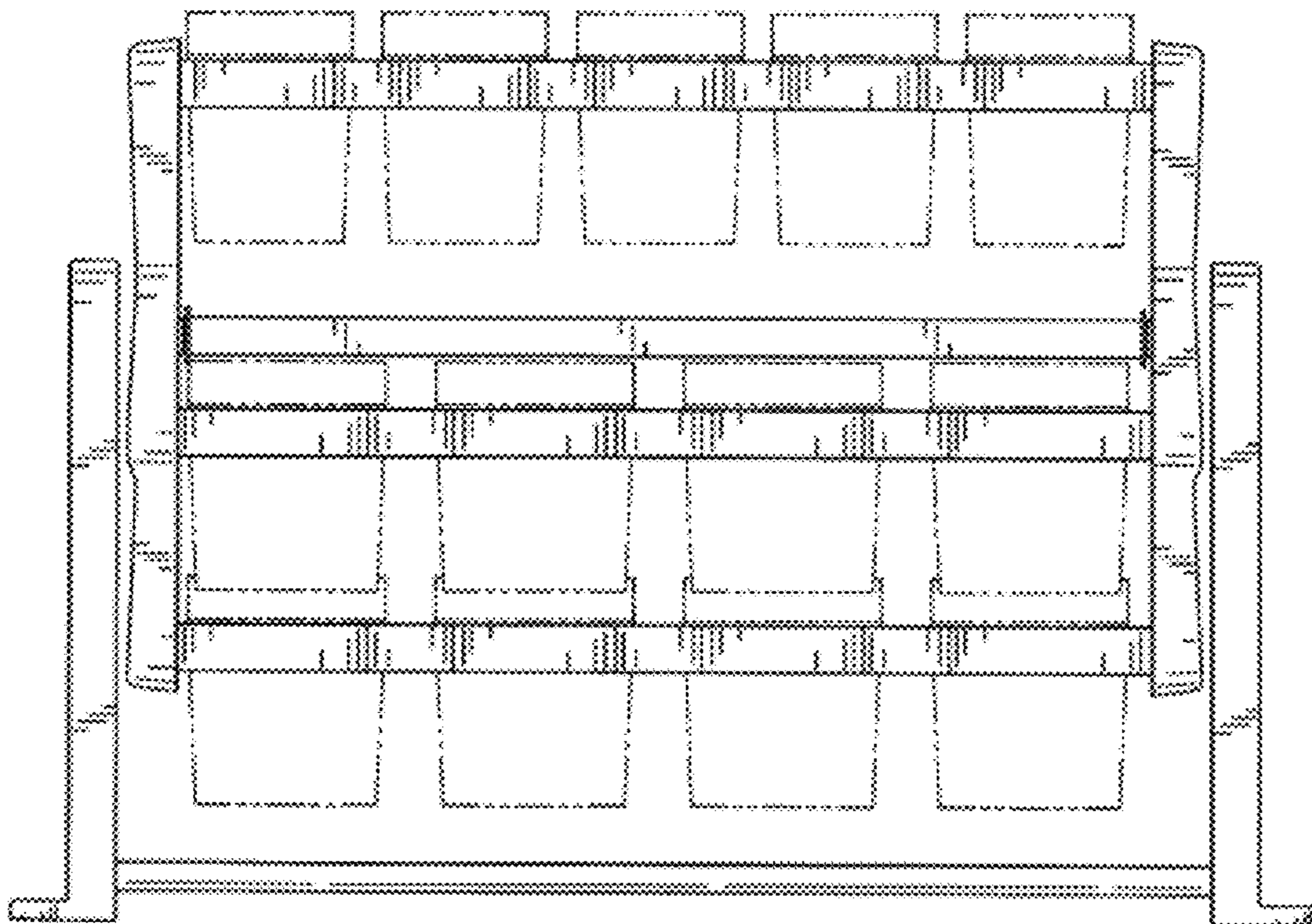


FIG. 2

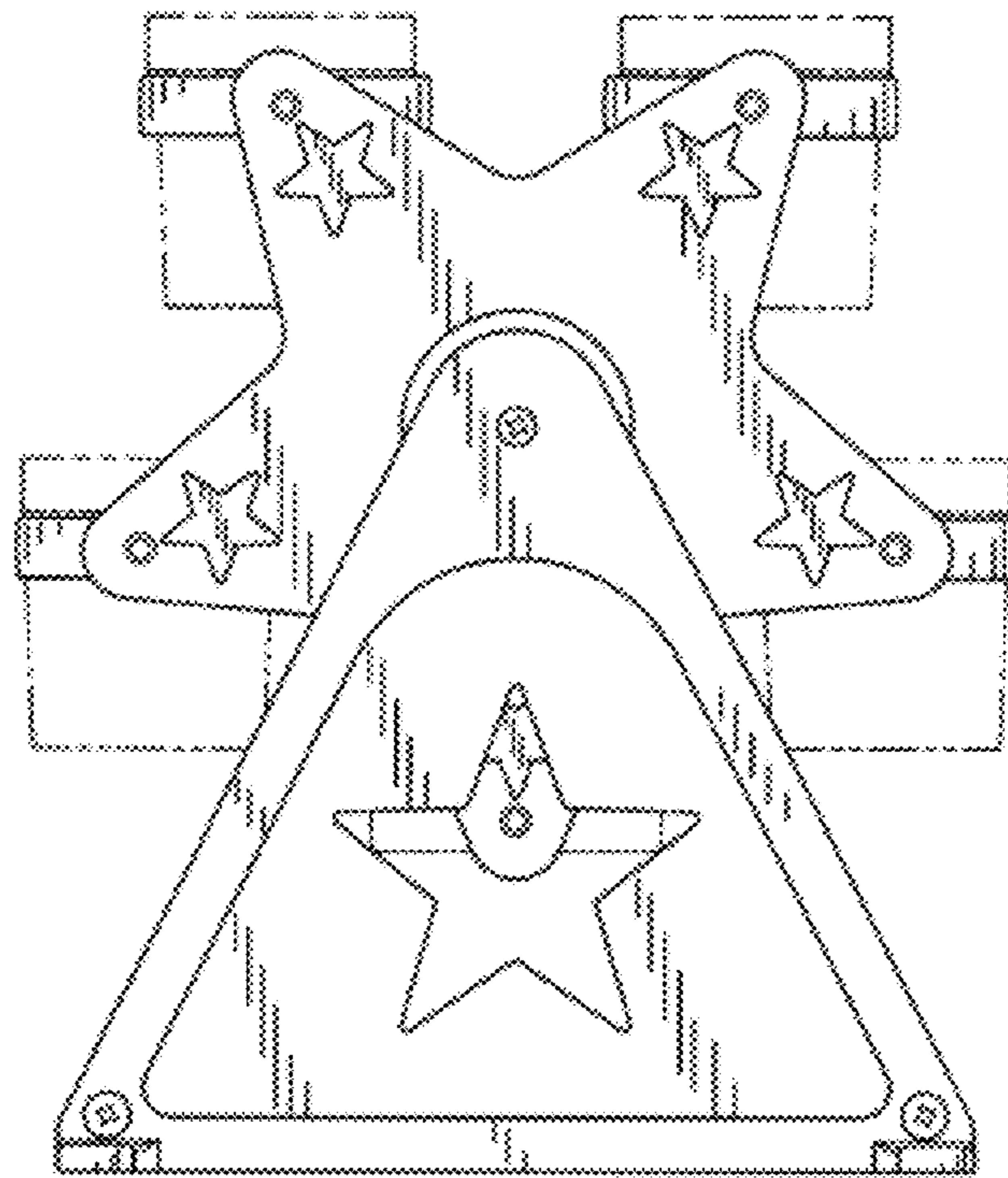


FIG. 1

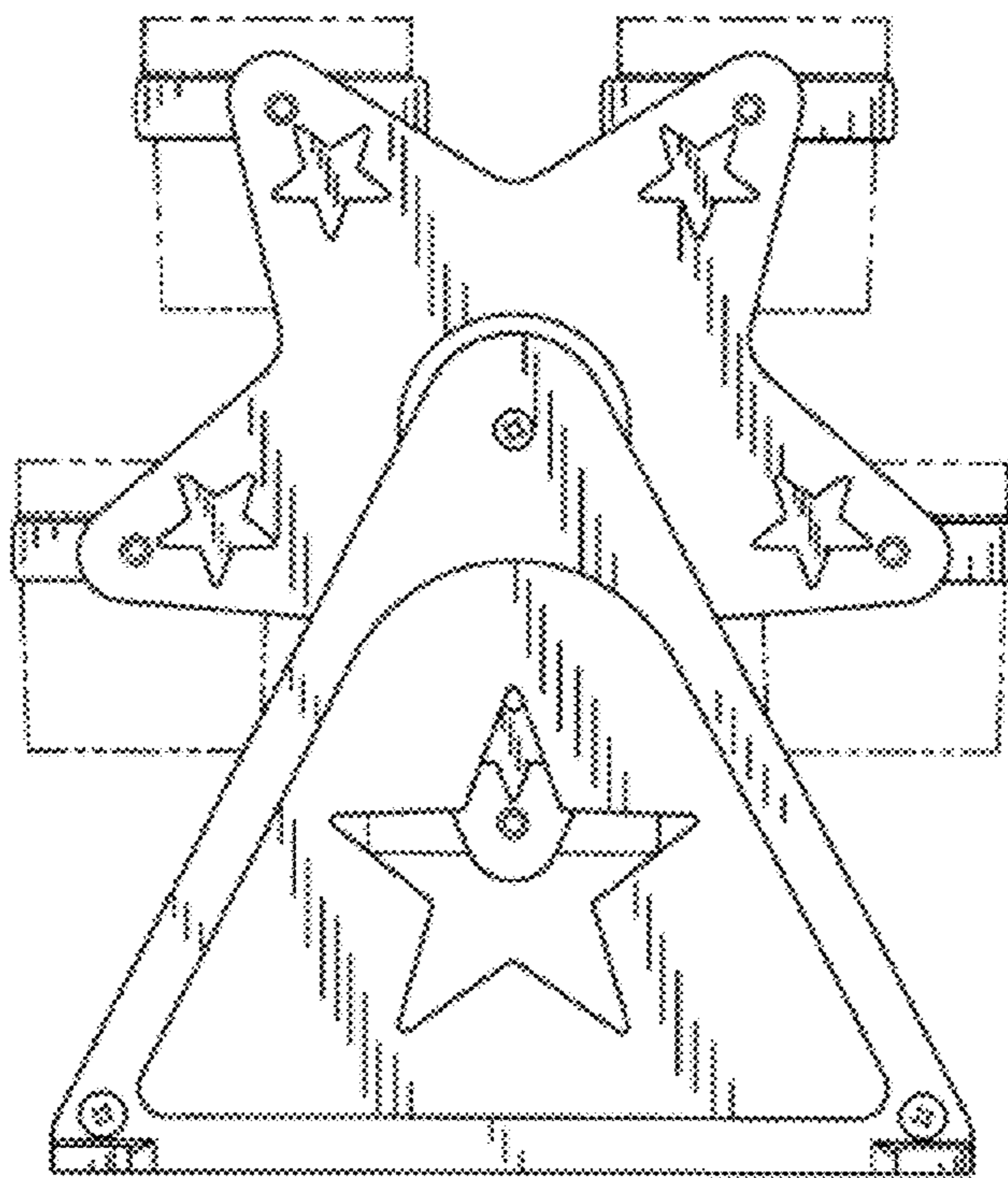


FIG. 2

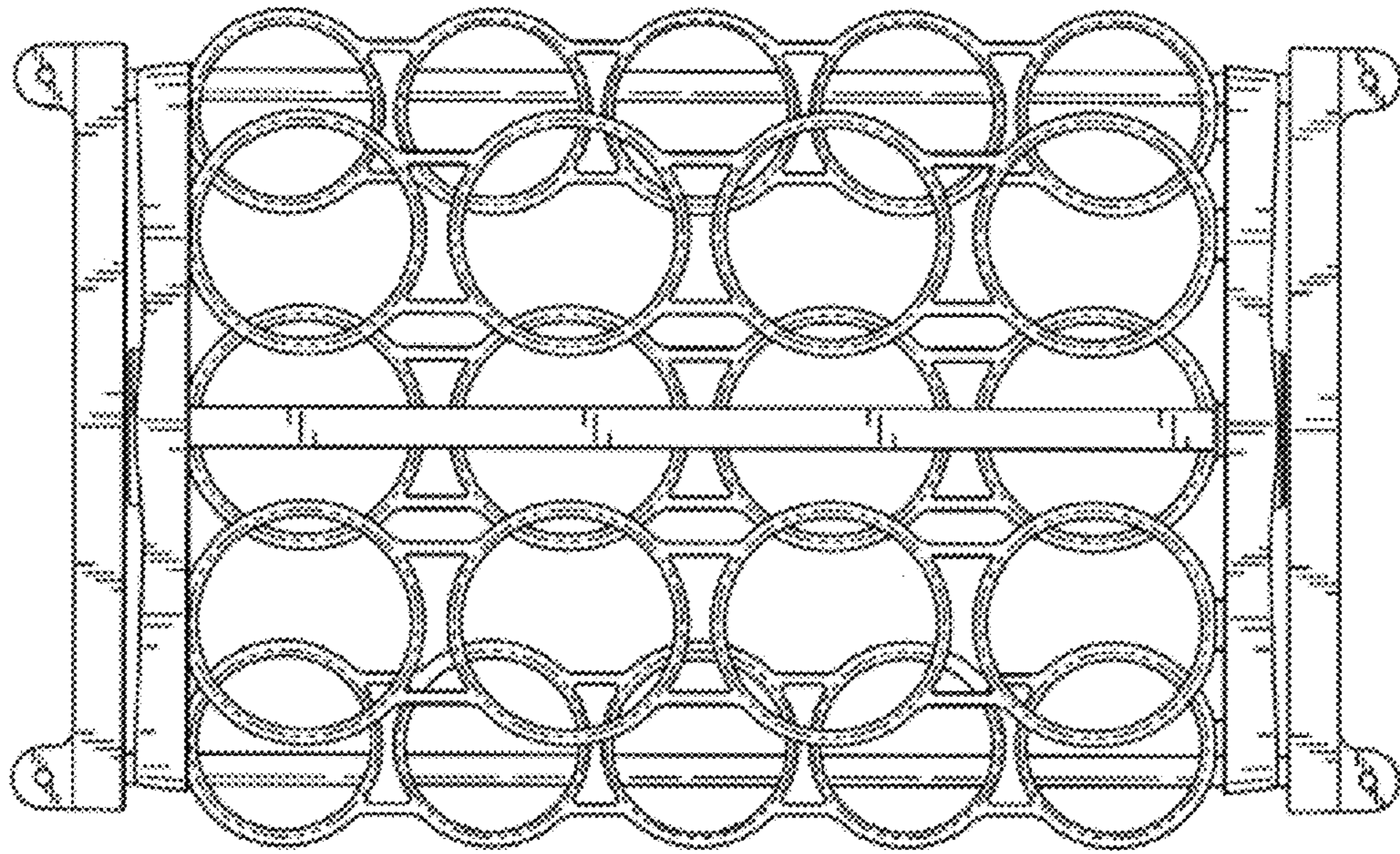


FIG. 3

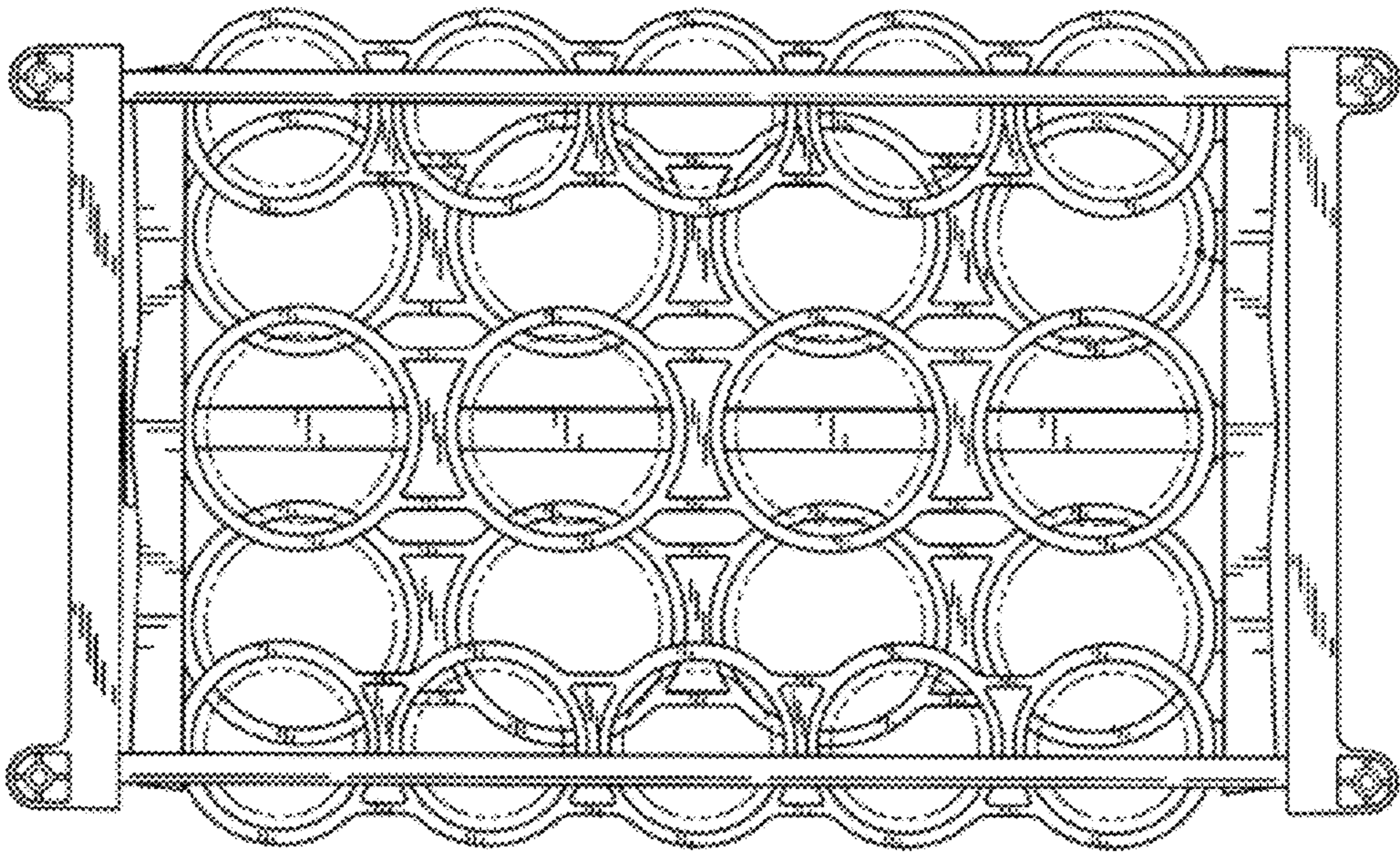


FIG. 4