

US00D676259S

(12) **United States Design Patent**
Lu

(10) **Patent No.:** **US D676,259 S**
(45) **Date of Patent:** **** Feb. 19, 2013**

(54) **DIGITAL PHOTO FRAME JEWELRY BOX**

(75) Inventor: **Charles Lu**, Taipei (TW)

(73) Assignee: **Alps International Corporation**, Taipei (TW)

(**) Term: **14 Years**

(21) Appl. No.: **29/392,720**

(22) Filed: **May 25, 2011**

(51) **LOC (9) Cl.** **06-06**

(52) **U.S. Cl.** **D6/444**

(58) **Field of Classification Search** D6/308,
D6/310, 397, 432, 440, 443-444, 470; D19/75,
D19/95; 40/720-722, 735; 312/114, 204,
312/224

See application file for complete search history.

(56) **References Cited**

U.S. PATENT DOCUMENTS

D307,675 S *	5/1990	Jordan	D6/300
D422,810 S *	4/2000	Rasp	D6/480
D423,249 S *	4/2000	Hawang	D6/440
D439,913 S *	4/2001	Jobst	D15/84
D514,848 S *	2/2006	Au	D6/470
D521,253 S *	5/2006	Sakaguchi	D6/314
D525,047 S *	7/2006	Linder	D6/432
D531,800 S *	11/2006	Sakaguchi	D3/294
D531,801 S *	11/2006	Sakaguchi	D3/294
D548,491 S *	8/2007	Cohen	D6/471
D587,495 S *	3/2009	Levinger	D6/470

D602,259 S *	10/2009	Finnegan	D6/300
D602,264 S *	10/2009	Sheridoni	D6/310
D606,859 S *	12/2009	Stewart	D9/432
D637,012 S *	5/2011	Lu	D6/432
D637,822 S *	5/2011	Utsunomiya	D6/308
D664,803 S *	8/2012	Argondizzo et al.	D7/368

* cited by examiner

Primary Examiner — Kelley Donnelly

(74) *Attorney, Agent, or Firm* — Birch, Stewart, Kolasch & Birch, LLP

(57) **CLAIM**

The ornamental design for a digital photo frame jewelry box, as shown and described.

DESCRIPTION

FIG. 1 is a front, left perspective view of a digital photo frame jewelry box showing my new design;

FIG. 2 is a front view thereof;

FIG. 3 is a rear view thereof;

FIG. 4 is a left side view thereof;

FIG. 5 is a right side view thereof; and,

FIG. 6 is a top view thereof.

The broken lines showing in FIG. 3 are for the purpose of illustrating the environment of the design only and form no part of the claimed design.

1 Claim, 6 Drawing Sheets

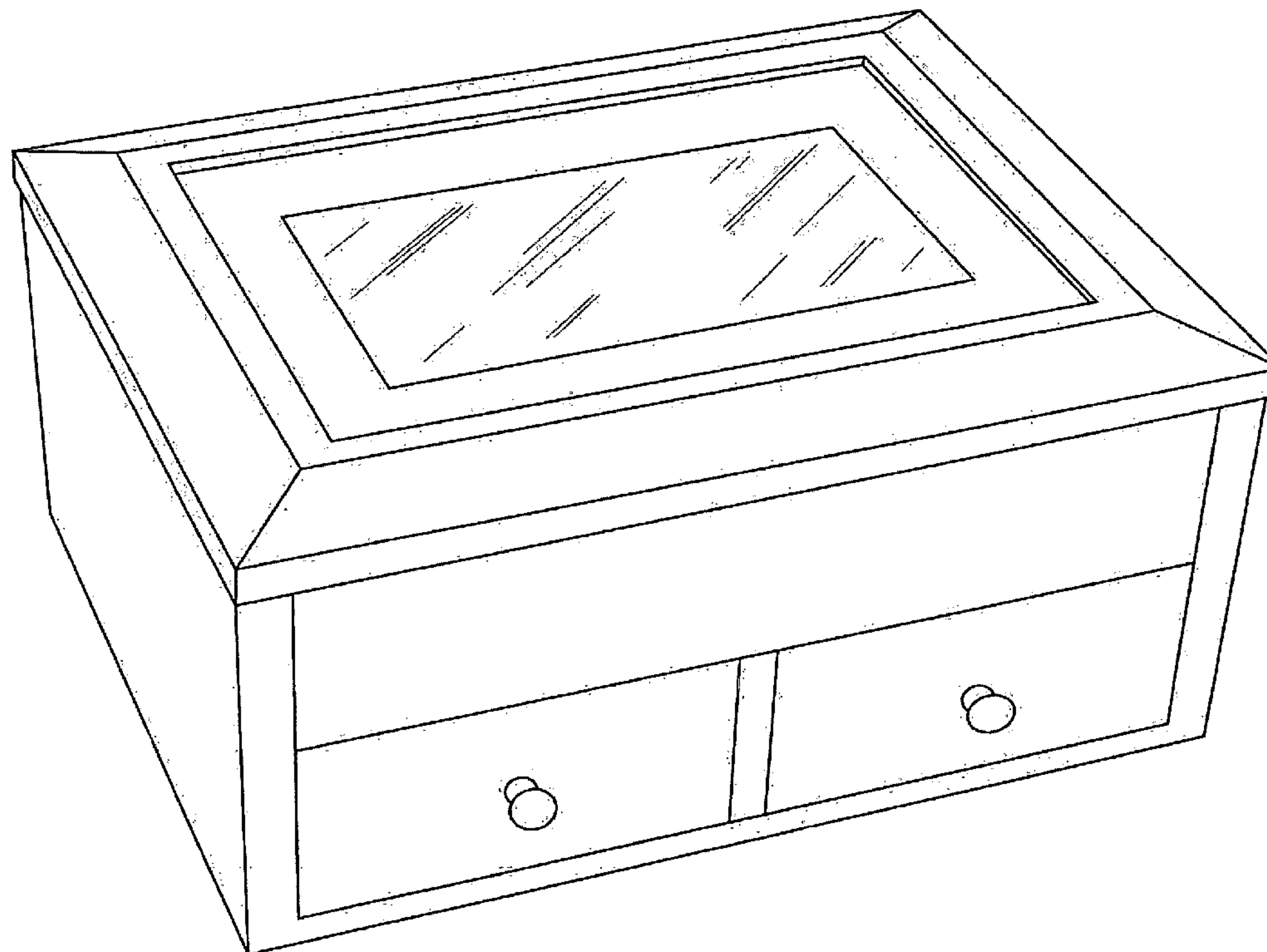


Fig. 1

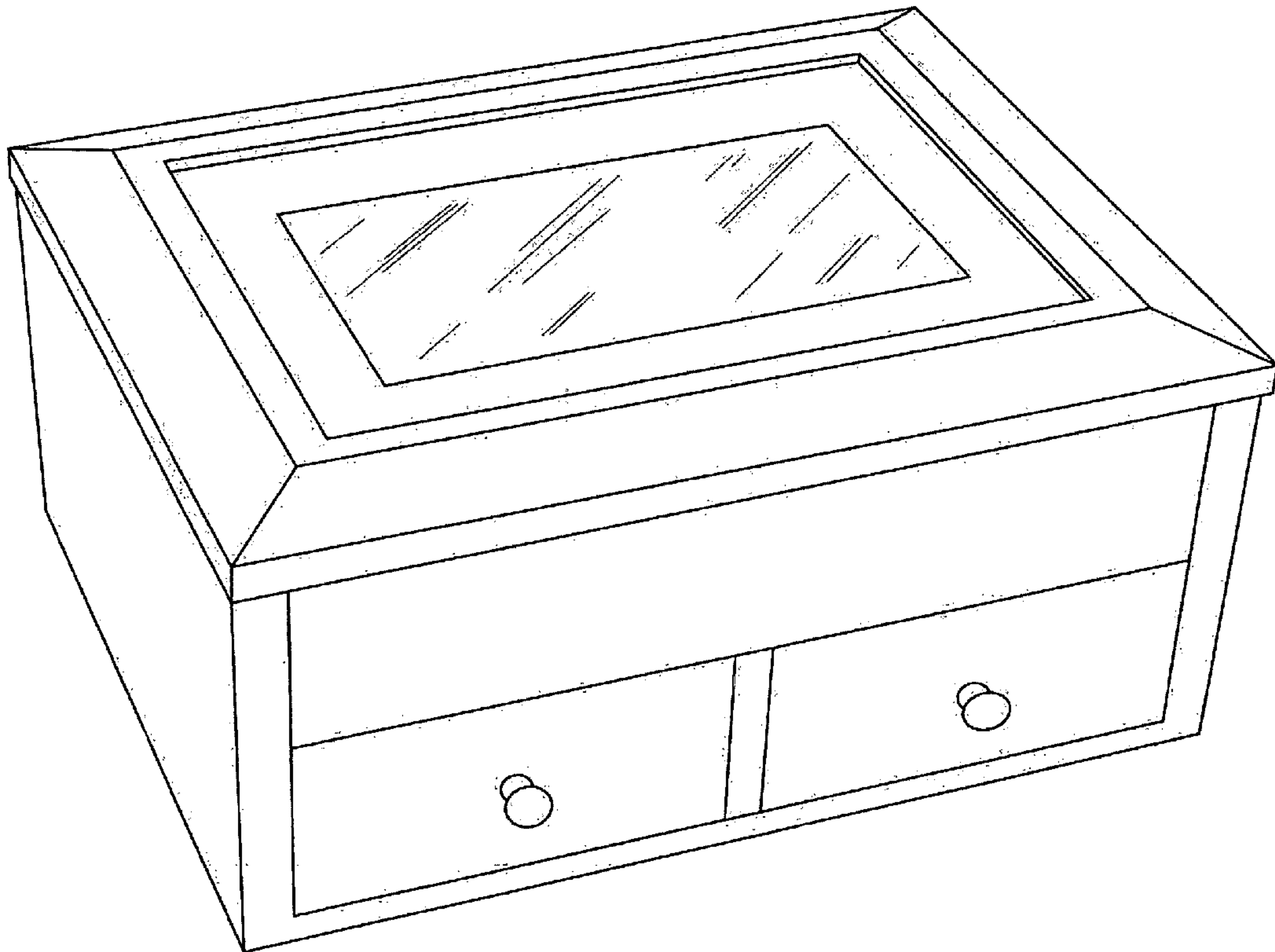


Fig.2

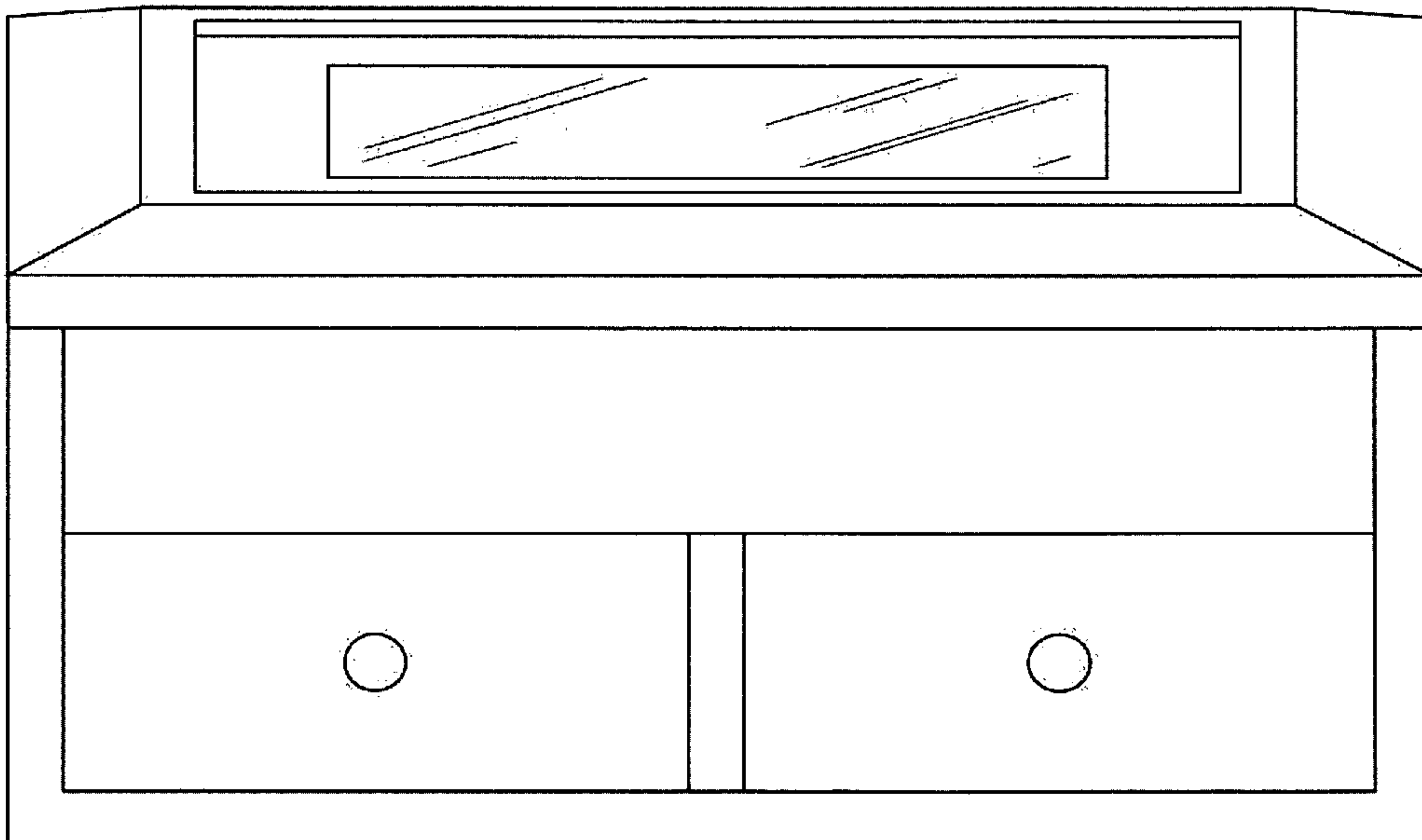


Fig.3

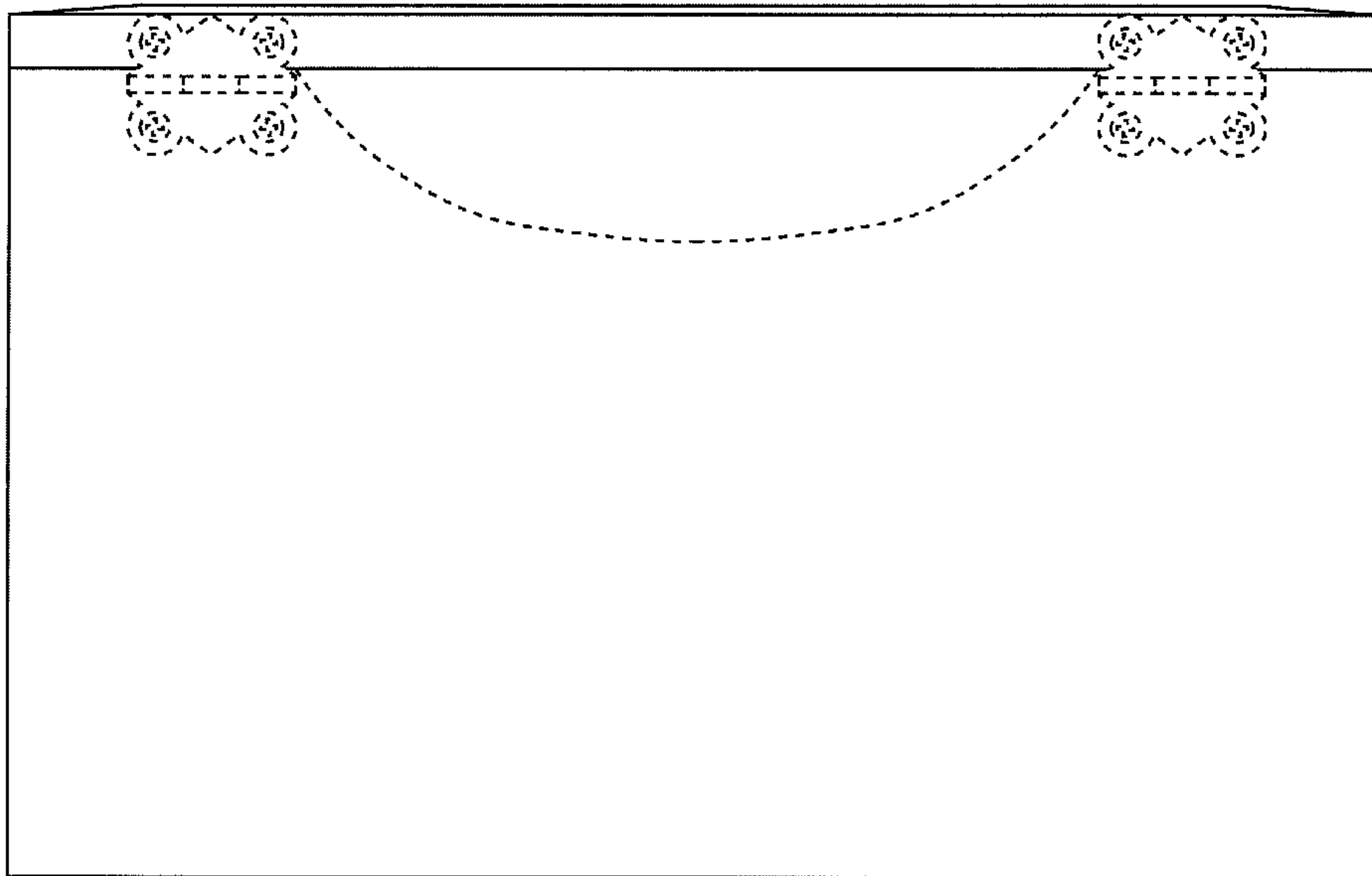


Fig.4

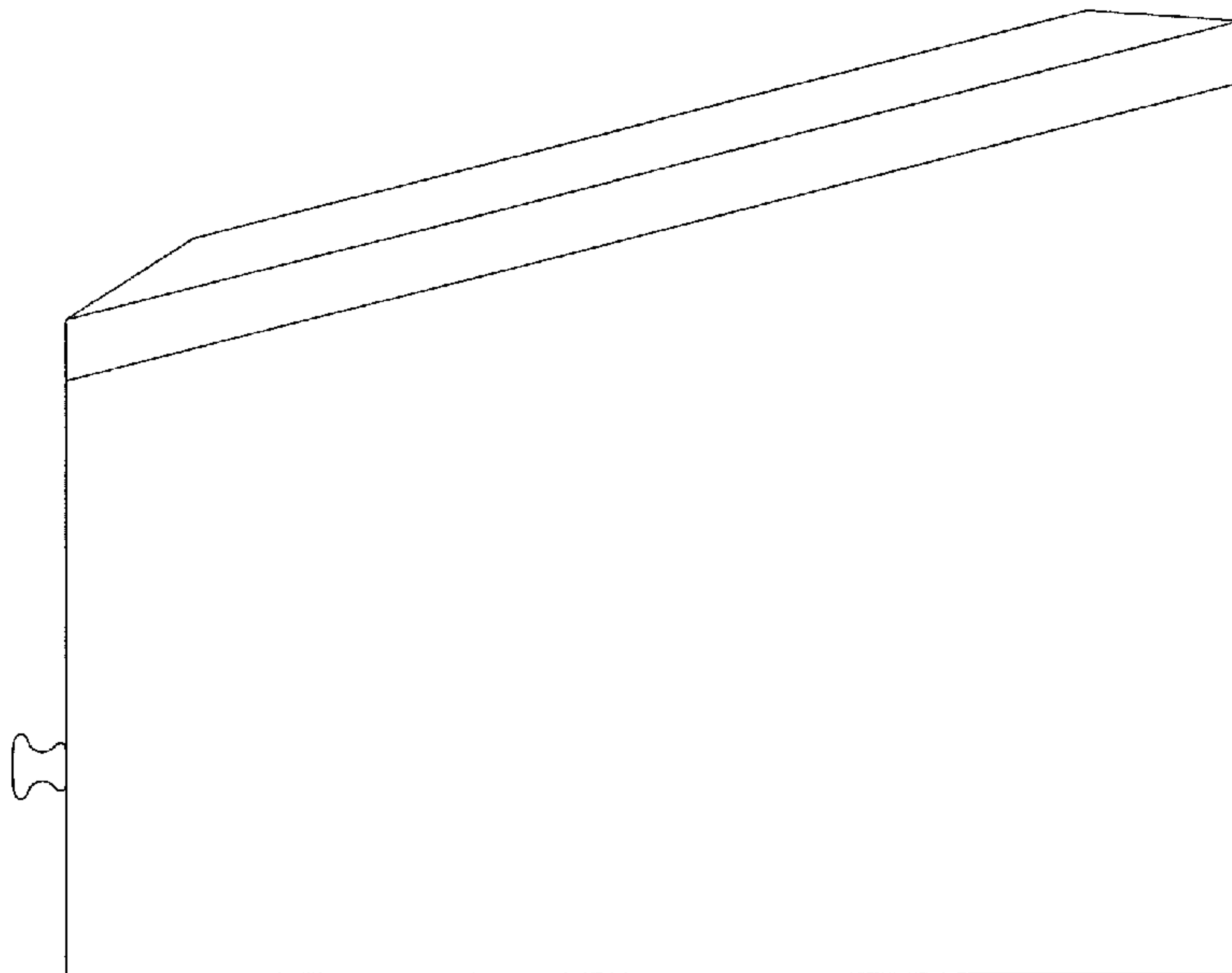


Fig.5

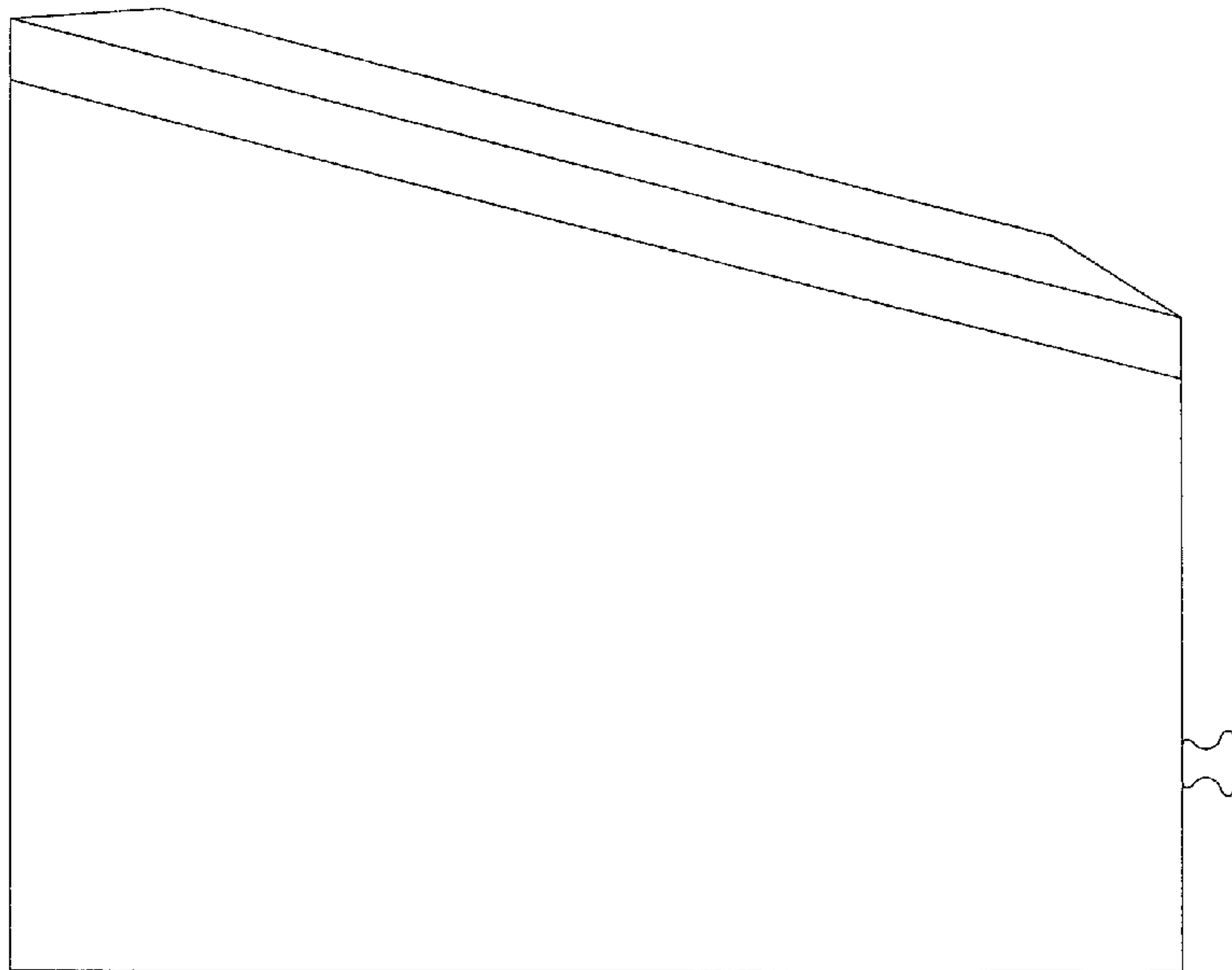


Fig.6

