



US00D676257S

(12) **United States Design Patent**
Veith

(10) **Patent No.:** **US D676,257 S**

(45) **Date of Patent:** **** Feb. 19, 2013**

(54) **BASSINET**

(76) Inventor: **Glinda Veith**, Henrietta, TX (US)

(**) Term: **14 Years**

(21) Appl. No.: **29/417,524**

(22) Filed: **Apr. 4, 2012**

(51) **LOC (9) Cl.** **06-02**

(52) **U.S. Cl.** **D6/390**

(58) **Field of Classification Search** D6/382-384,
D6/390-395, 505-508, 397, 331; 5/53.1,
5/279.1, 280, 281, 907, 2.1, 8, 9.1, 93.1,
5/98.1, 101

See application file for complete search history.

(56) **References Cited**

U.S. PATENT DOCUMENTS

1,897,525 A * 2/1933 McGill 5/93.1
D136,335 S * 9/1943 Cutrone D6/390
2,659,903 A * 11/1953 Hagelfeldt 5/99.1

D333,389 S * 2/1993 Saito et al. D6/356
D410,154 S * 5/1999 Huang et al. D6/390
2005/0241064 A1* 11/2005 Lopes et al. 5/93.1

* cited by examiner

Primary Examiner — Janice Seeger

(74) *Attorney, Agent, or Firm* — Daniel J. Chalker; Chalker Flores, LLP

(57) **CLAIM**

The ornamental design for a bassinet, as shown and described.

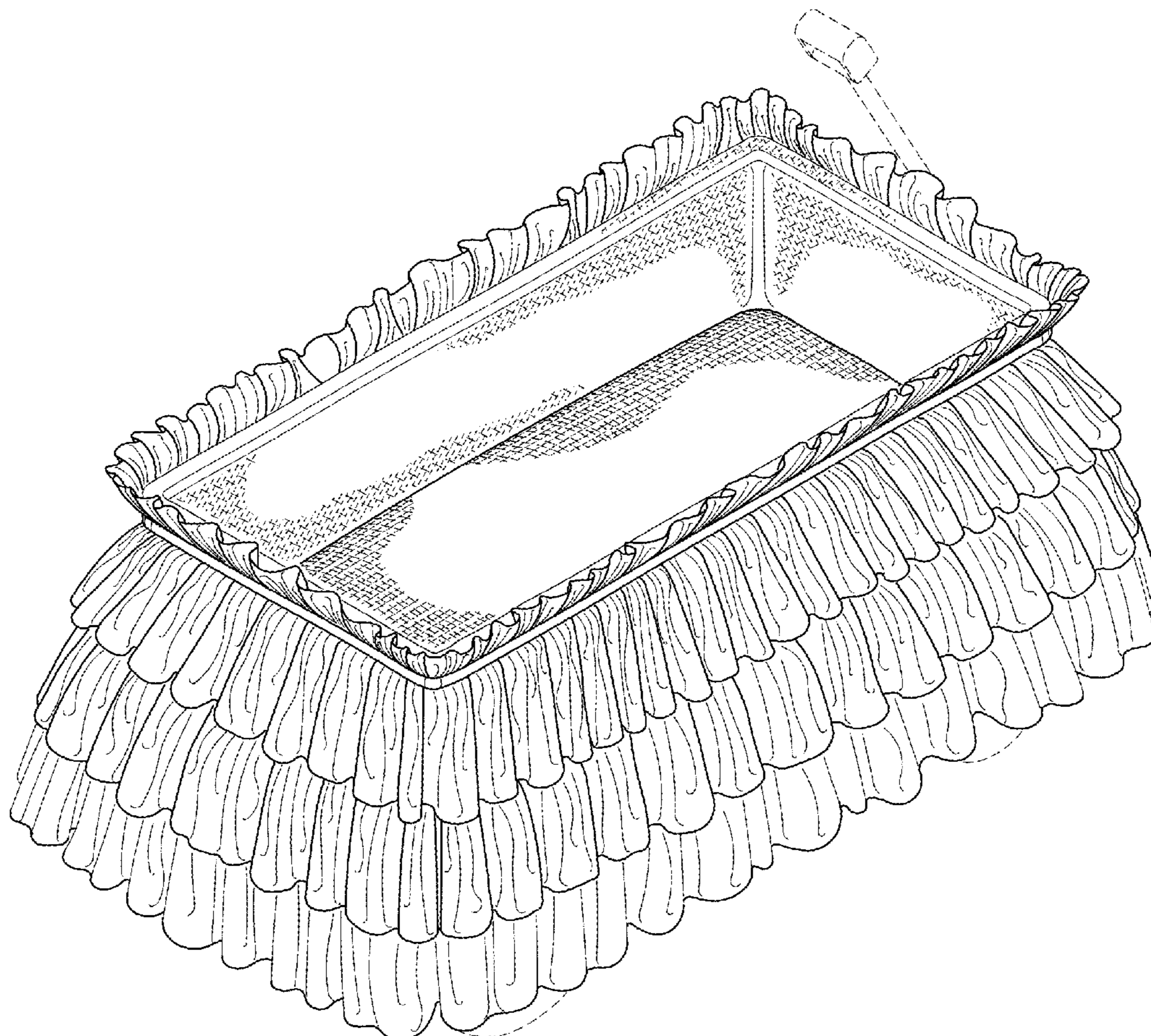
DESCRIPTION

This application is related to design patent application Ser. No. 29/417,523 for a Bassinet filed on Apr. 4, 2012 by the above-named inventor.

FIG. 1 is a perspective view of a bassinet showing my design; FIG. 2 is a top plan view of the design; FIG. 3 is a bottom plan view of the design; FIG. 4 is a side elevation view of the design; and, FIG. 5 is an end elevation view of the design.

The broken lines showing the children's wagon are for illustration only and form no part of the claimed design.

1 Claim, 5 Drawing Sheets



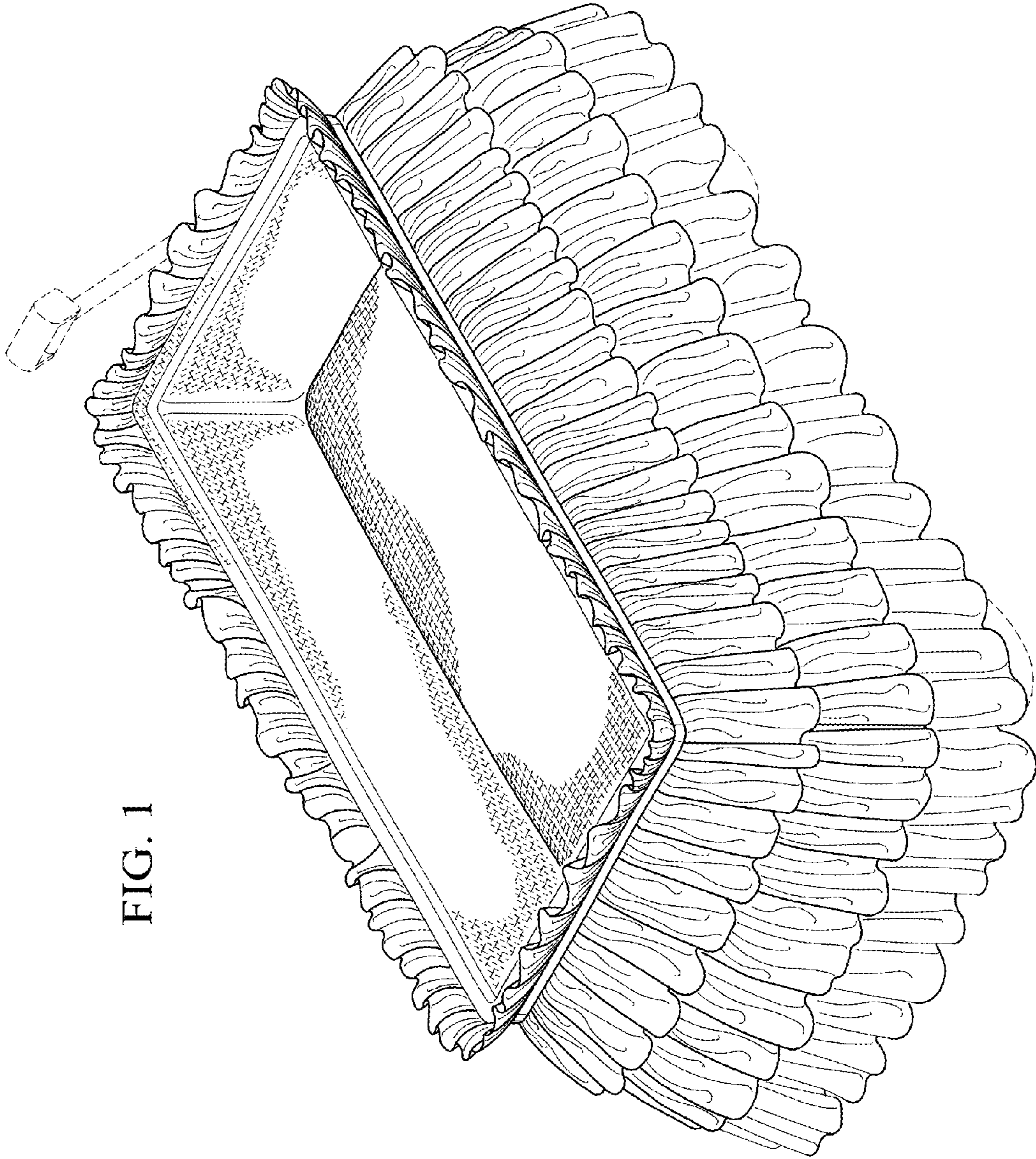


FIG. 1

FIG. 2

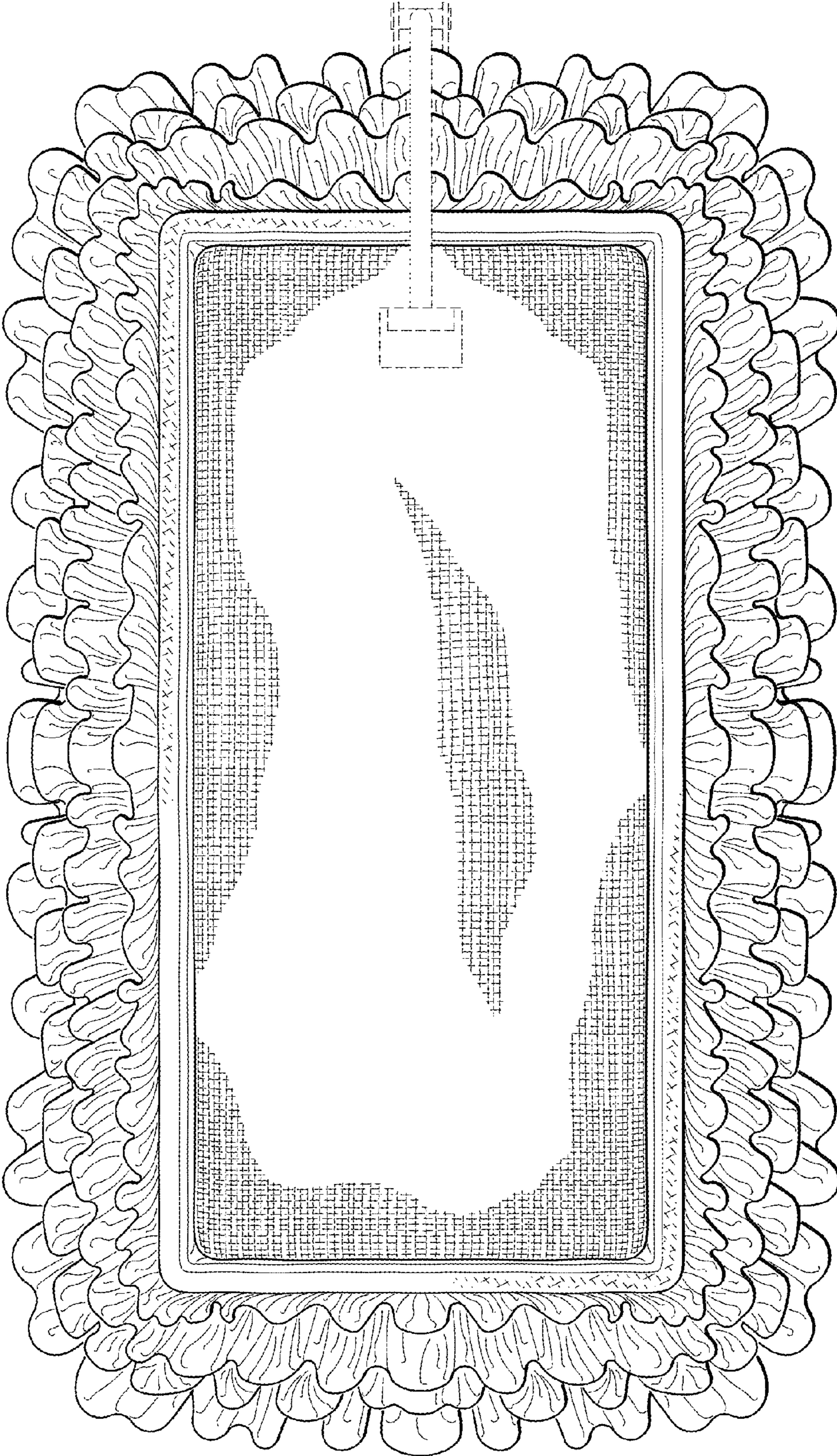
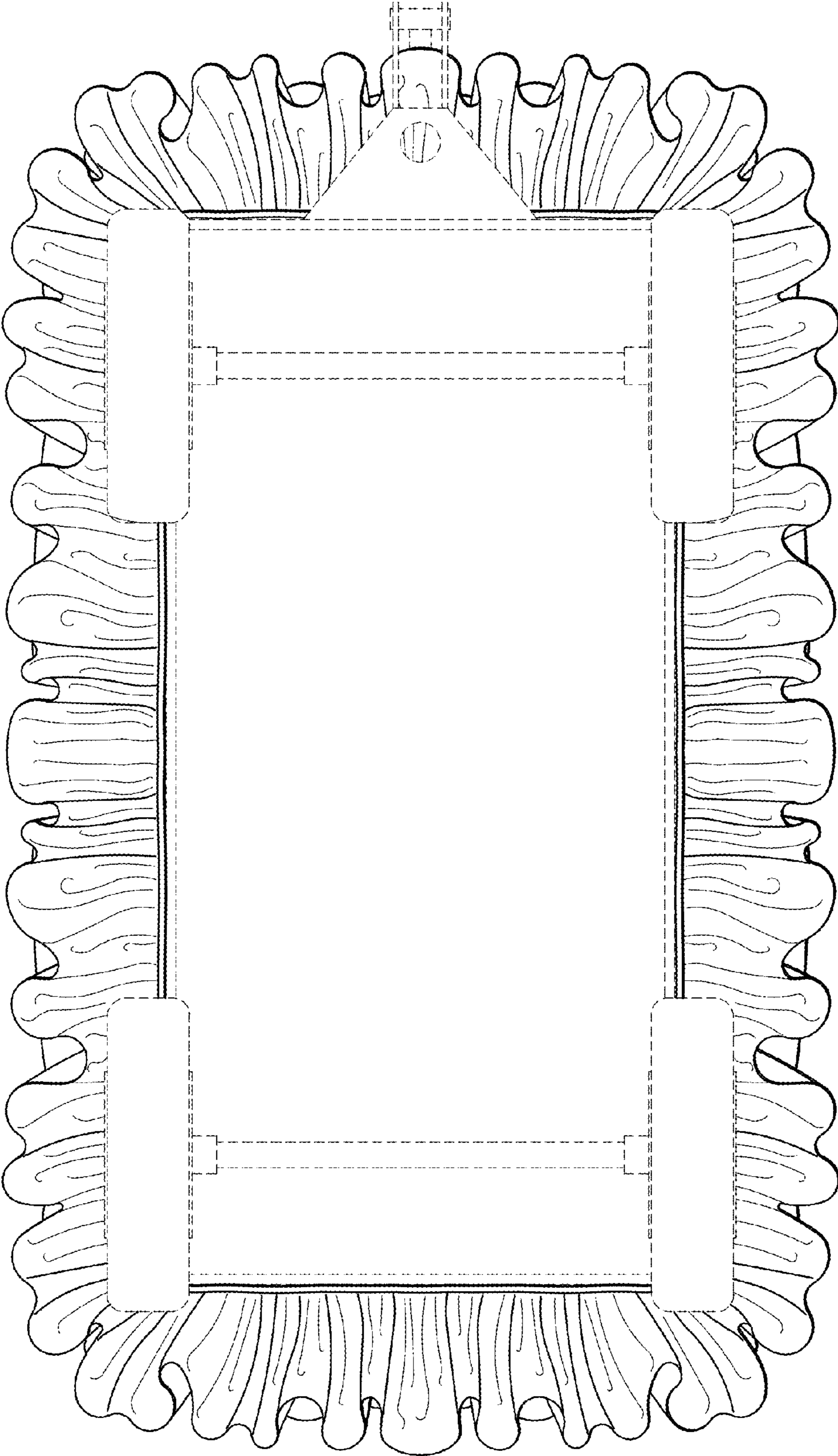


FIG. 3



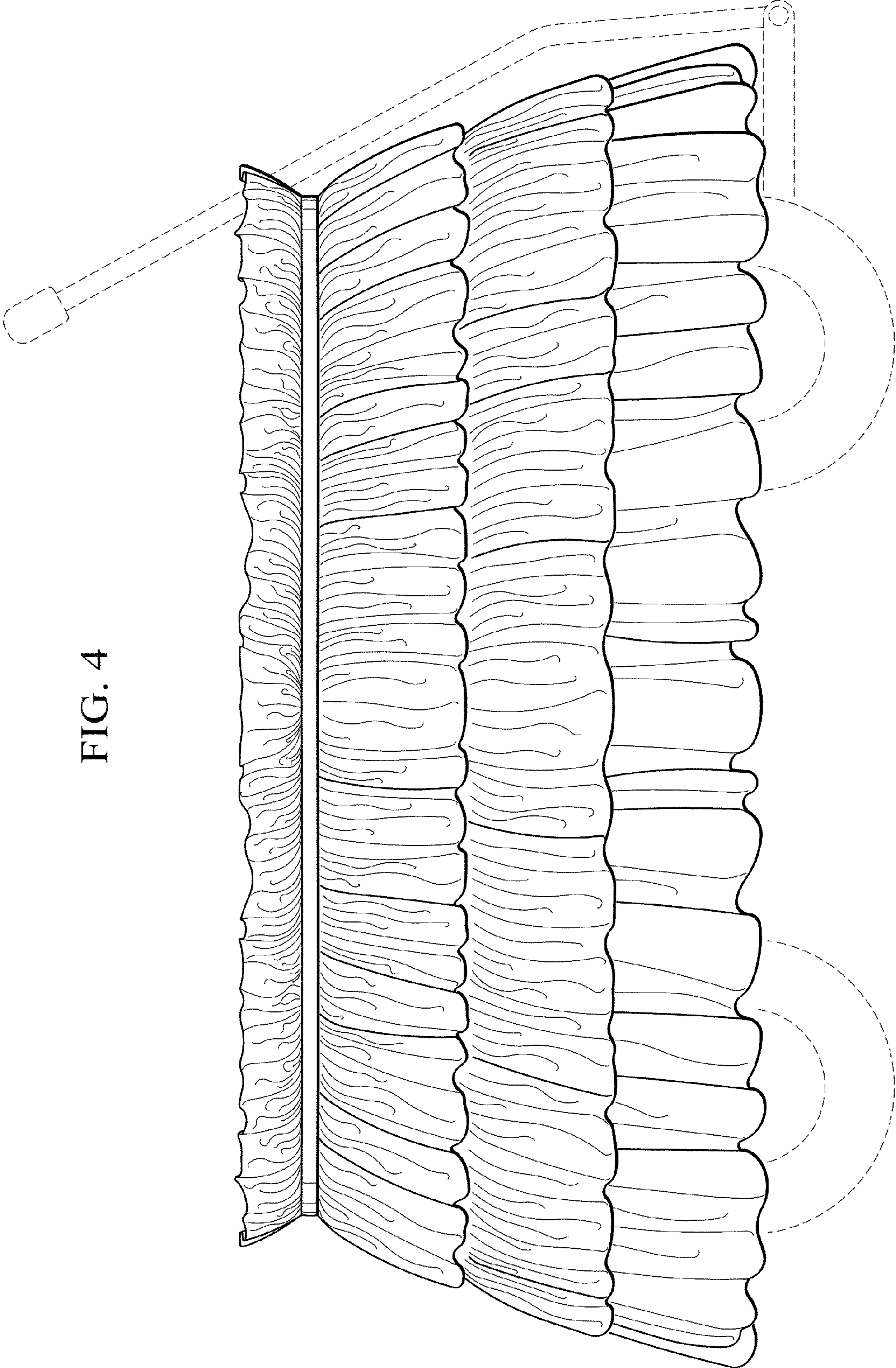


FIG. 4

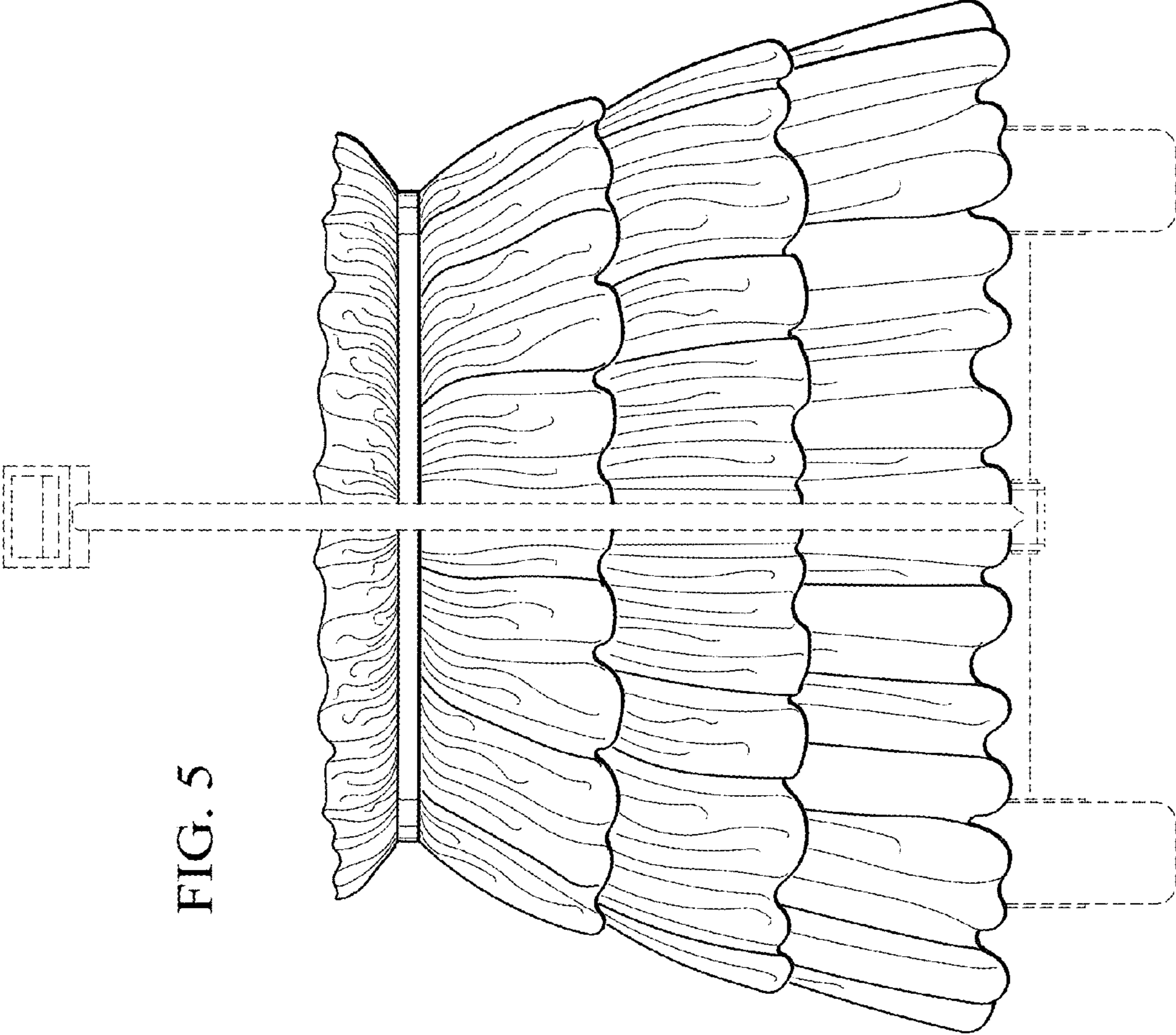


FIG. 5