



US00D676254S

(12) **United States Design Patent**  
**Chen**

(10) **Patent No.:** **US D676,254 S**

(45) **Date of Patent:** **\*\* Feb. 19, 2013**

(54) **OFFICE CHAIR**

(75) Inventor: **Desheng Chen**, Sanchung (CN)

(73) Assignee: **Jianhua Yang**, Foshan (CN)

(\*\*) Term: **14 Years**

(21) Appl. No.: **29/398,168**

(22) Filed: **Jul. 27, 2011**

(51) **LOC (9) Cl.** ..... **06-01**

(52) **U.S. Cl.** ..... **D6/366**

(58) **Field of Classification Search** ..... D6/334-336,  
D6/364, 365, 366, 367, 368, 374, 379, 380,  
D6/498, 500-502; 297/411.27, 452.13, 452.21,  
297/452.24, 452.26, 452.29, 452.32, 452.35,  
297/452.46, 452.56

See application file for complete search history.

(56) **References Cited**

**U.S. PATENT DOCUMENTS**

D456,159 S *	4/2002	Ball et al. ....	D6/366
D456,650 S *	5/2002	Ball et al. ....	D6/502
D457,023 S *	5/2002	Ball et al. ....	D6/502
D544,720 S *	6/2007	Berbegal Perez .....	D6/366
D567,521 S *	4/2008	Igarashi .....	D6/366
D572,923 S *	7/2008	Huang .....	D6/366
D575,085 S *	8/2008	Su .....	D6/502

D600,931 S *	9/2009	Pearson et al. ....	D6/366
D641,983 S *	7/2011	Hazzard .....	D6/366
D663,129 S *	7/2012	Greutmann .....	D6/366

\* cited by examiner

*Primary Examiner* — Mimoso De

(74) *Attorney, Agent, or Firm* — Luedeka Neely Group, P.C.

(57) **CLAIM**

The ornamental design of an office chair, as shown.

**DESCRIPTION**

FIG. 1 is front perspective view generally taken from one side of the office chair;

FIG. 2 is a front elevation view of the office chair shown in FIG. 1;

FIG. 3 is a rear elevation view of the office chair shown in FIG. 1;

FIG. 4 is a side elevation view of the office chair shown in FIG. 1;

FIG. 5 is a top plan view of the office chair shown in FIG. 1; and,

FIG. 6 is a bottom plan view of the office chair shown in FIG. 1.

Unclaimed portions of the invention are indicated by broken lines.

**1 Claim, 6 Drawing Sheets**

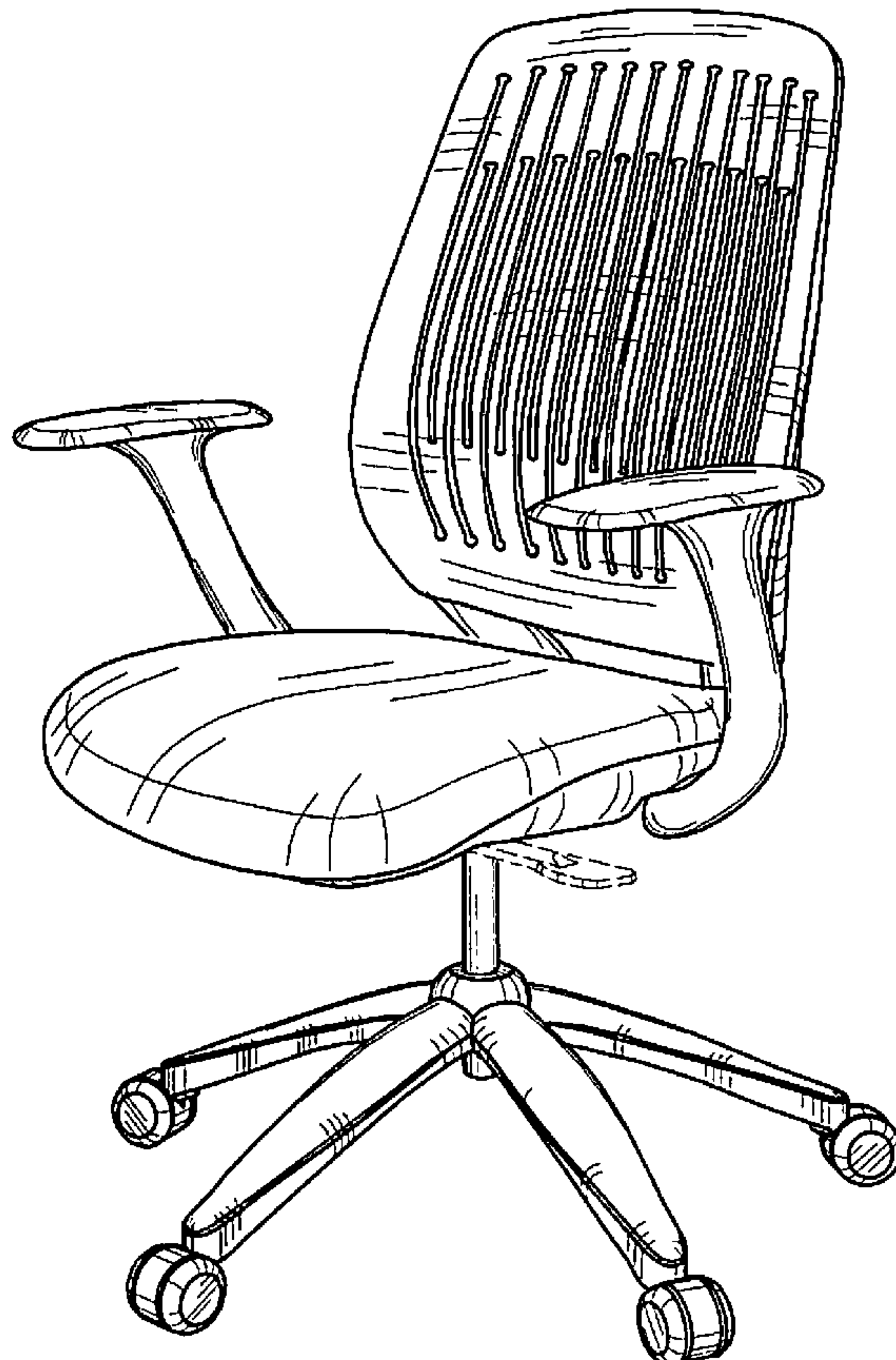
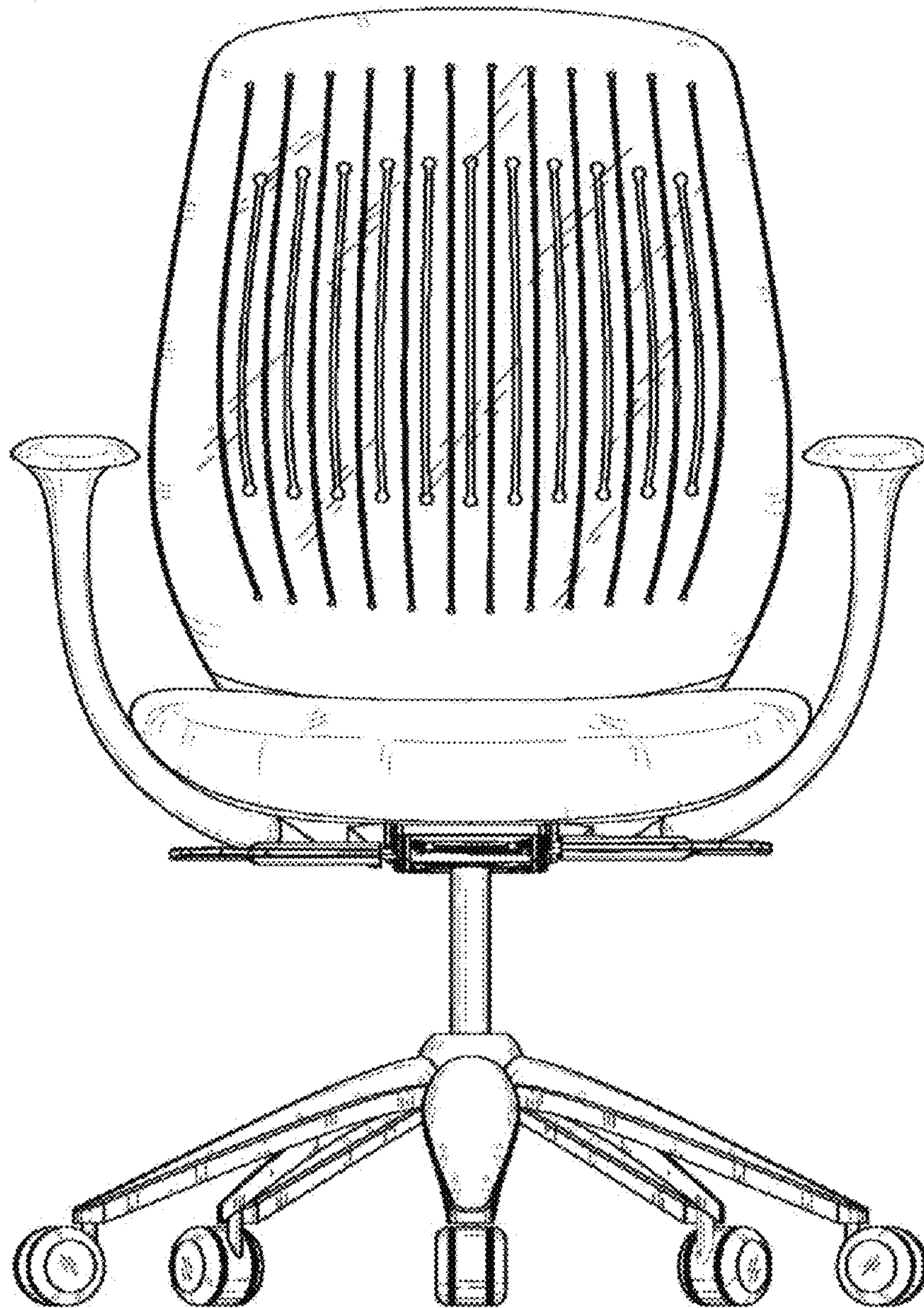




FIG.1

FIG. 2





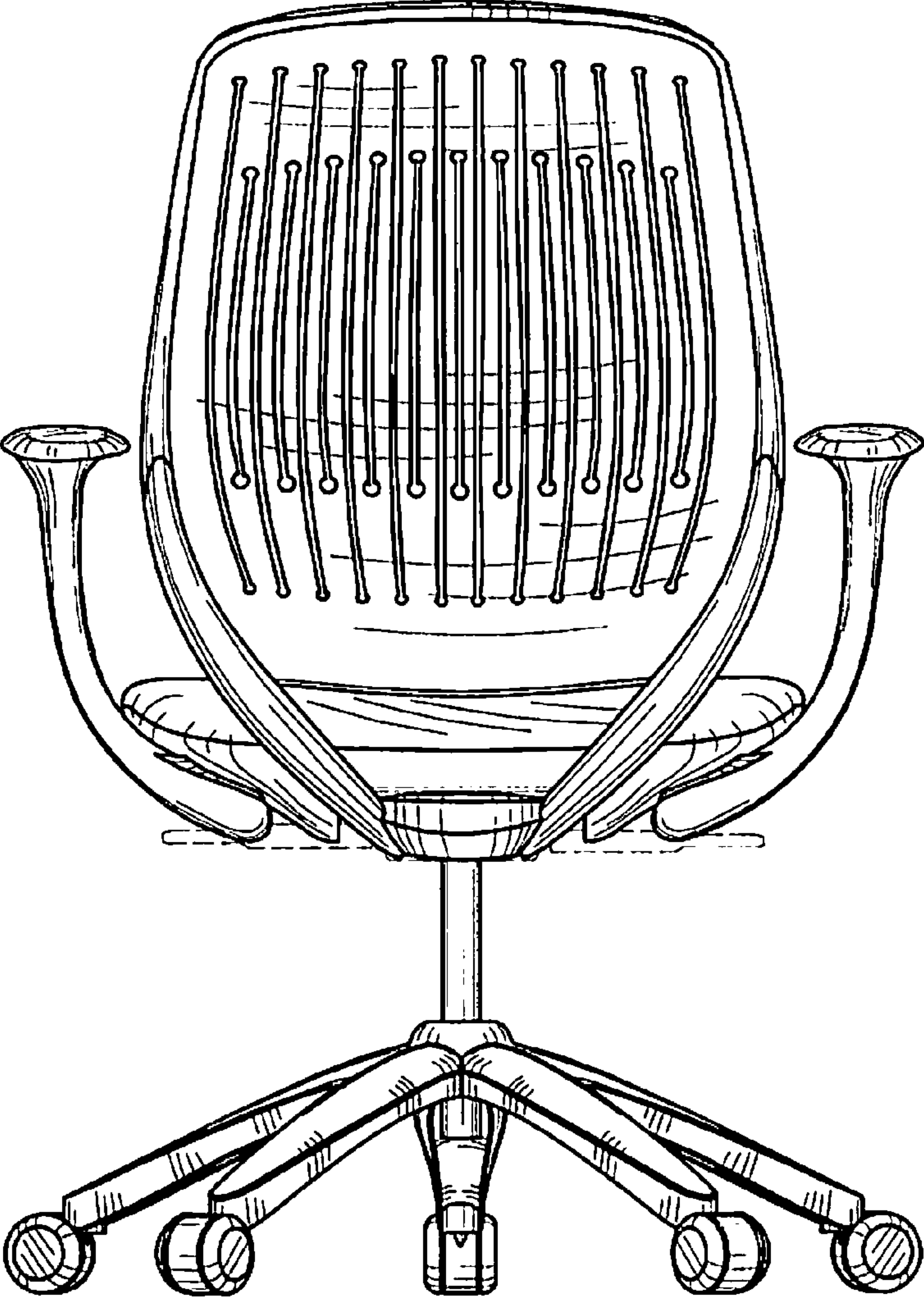
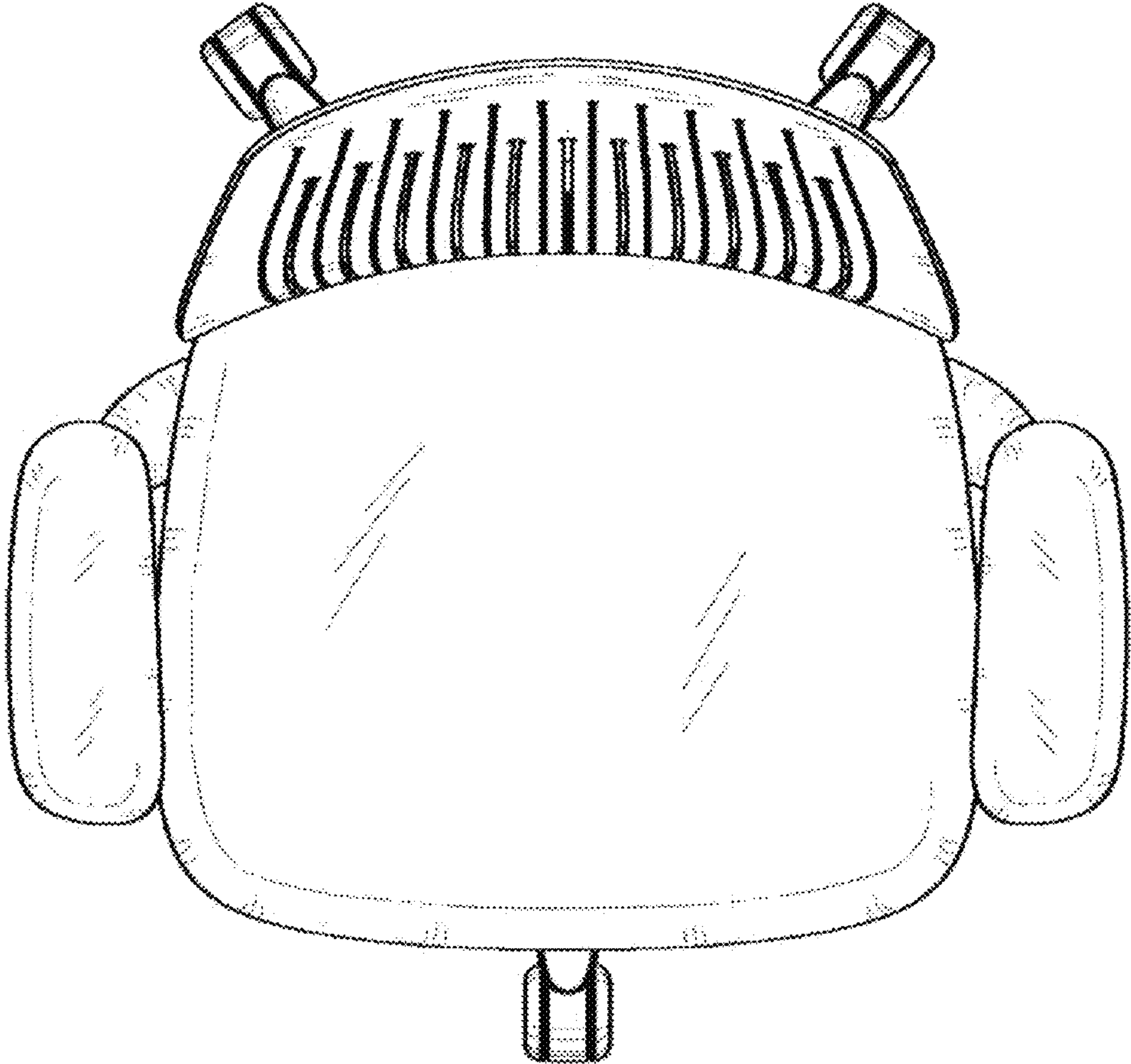


FIG.3



FIG. 4

FIG. 5



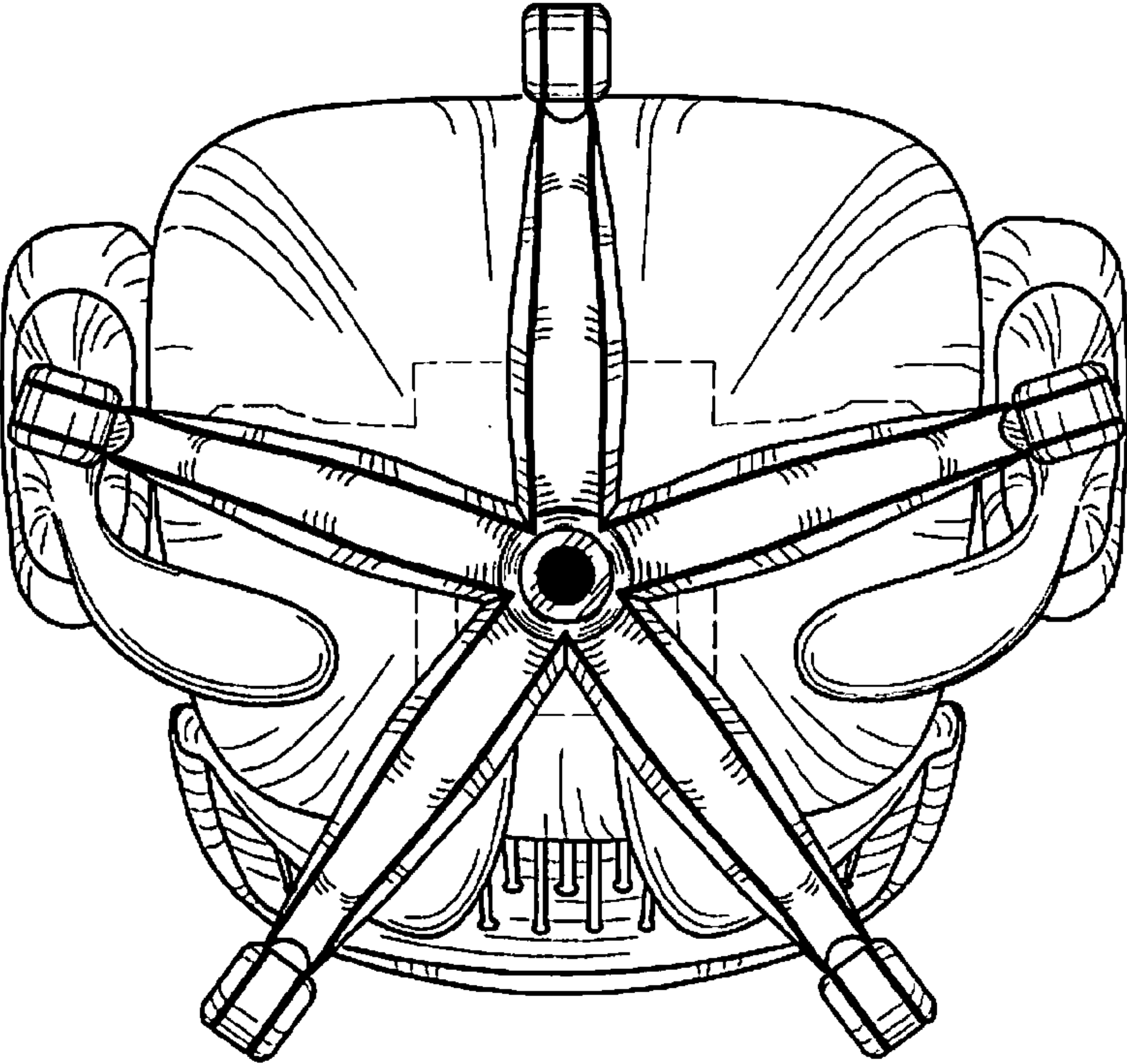


FIG.6