



US00D676253S

(12) **United States Design Patent**
Springs et al.

(10) **Patent No.:** **US D676,253 S**

(45) **Date of Patent:** **** Feb. 19, 2013**

(54) **TREE STAND SEAT**

(76) Inventors: **Charles G. Springs**, Hemingway, SC
(US); **Nicholas E. Mullinax**, Anderson,
SC (US)

(**) Term: **14 Years**

(21) Appl. No.: **29/400,008**

(22) Filed: **Aug. 22, 2011**

(51) **LOC (9) Cl.** **06-01**

(52) **U.S. Cl.** **D6/362**

(58) **Field of Classification Search** D6/334-336,
D6/362, 367, 368, 374, 375, 379, 380, 500-502;
297/4, 16.1, 130, 183.5, 255, 331, 352; 108/152;
182/116, 133-136, 187, 188

See application file for complete search history.

(56) **References Cited**

U.S. PATENT DOCUMENTS

| | | | | | |
|-----------|-----|---------|-------------|-------|---------|
| 834,383 | A * | 10/1906 | Johnson | | 297/255 |
| 2,549,679 | A * | 4/1951 | Foote | | 182/187 |
| 2,722,968 | A * | 11/1955 | Smith | | 182/187 |
| 2,821,335 | A * | 1/1958 | White | | 182/187 |
| 2,847,059 | A * | 8/1958 | Klins | | 182/187 |
| 3,992,055 | A | 11/1976 | Shaw et al. | | |
| 4,221,429 | A | 9/1980 | Wade | | |
| 4,315,655 | A * | 2/1982 | Machnik | | 182/187 |
| 4,337,844 | A | 7/1982 | Hice, Sr. | | |

| | | | | | |
|--------------|------|---------|---------------|-------|---------|
| 4,705,143 | A | 11/1987 | Ziemba | | |
| 5,685,395 | A | 11/1997 | Nelson | | |
| 6,019,194 | A * | 2/2000 | Loomis et al. | | 182/187 |
| 7,370,728 | B1 * | 5/2008 | Mann | | 182/187 |
| D599,124 | S * | 9/2009 | Cross | | D6/362 |
| 2002/0139615 | A1 | 10/2002 | Penz et al. | | |

* cited by examiner

Primary Examiner — Mimoso De

(74) *Attorney, Agent, or Firm* — QuickPatents; Kevin Prince

(57) **CLAIM**

We claim the ornamental design for a tree stand seat, as shown and described.

DESCRIPTION

FIG. 1 is a perspective view of a tree stand seat, showing our new design in a used condition;

FIG. 2 is a perspective view thereof;

FIG. 3 is a front elevational view of FIG. 2;

FIG. 4 is a top plan view of FIG. 2;

FIG. 5 is a bottom plan view of FIG. 2;

FIG. 6 is a rear elevational view of FIG. 2;

FIG. 7 is a left-side elevational view of FIG. 2; and,

FIG. 8 is a right-side elevational view of FIG. 2.

The broken lines showing a tree and tree stand in FIG. 1 depict environmental matter and form no part of the claimed design.

1 Claim, 3 Drawing Sheets

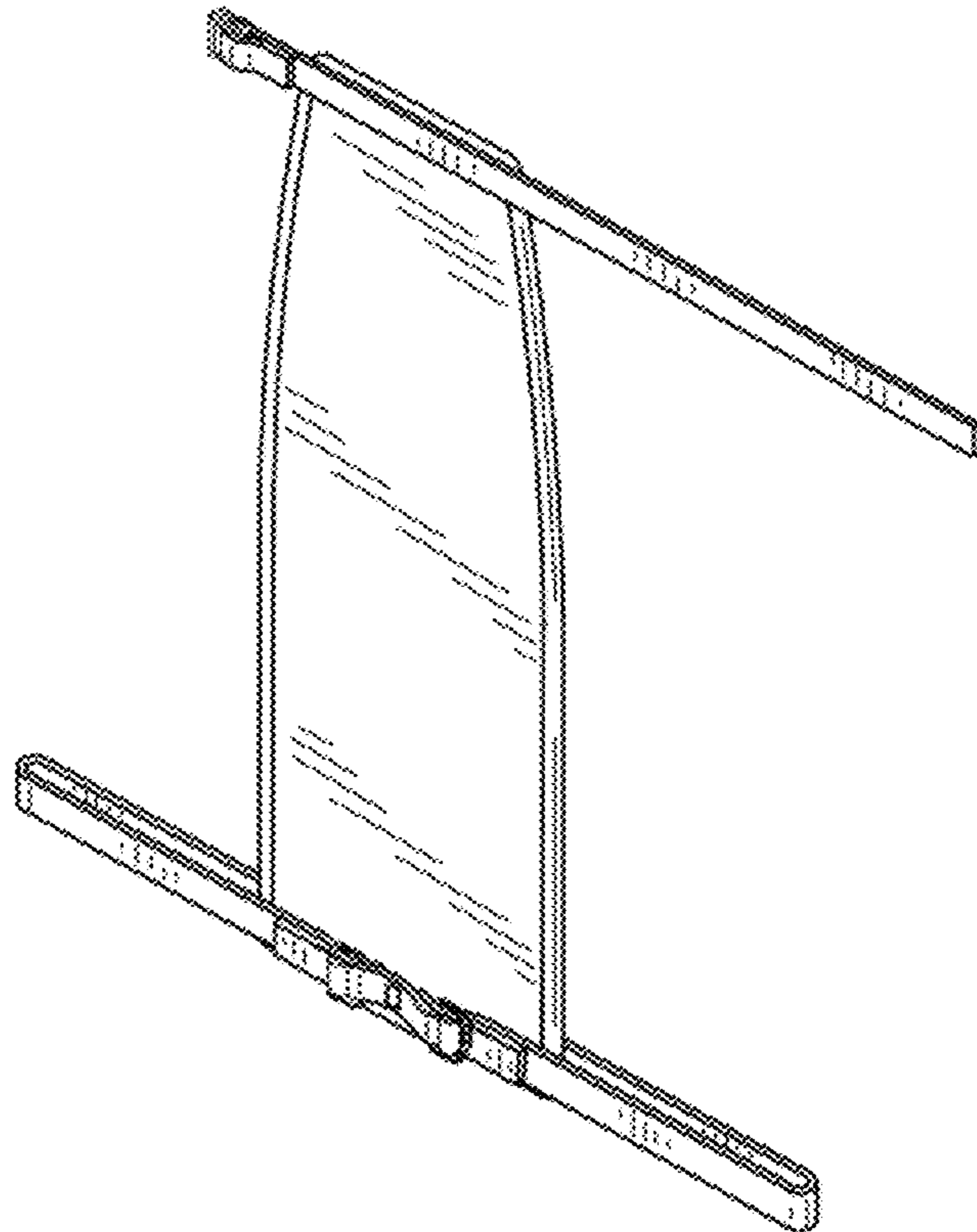
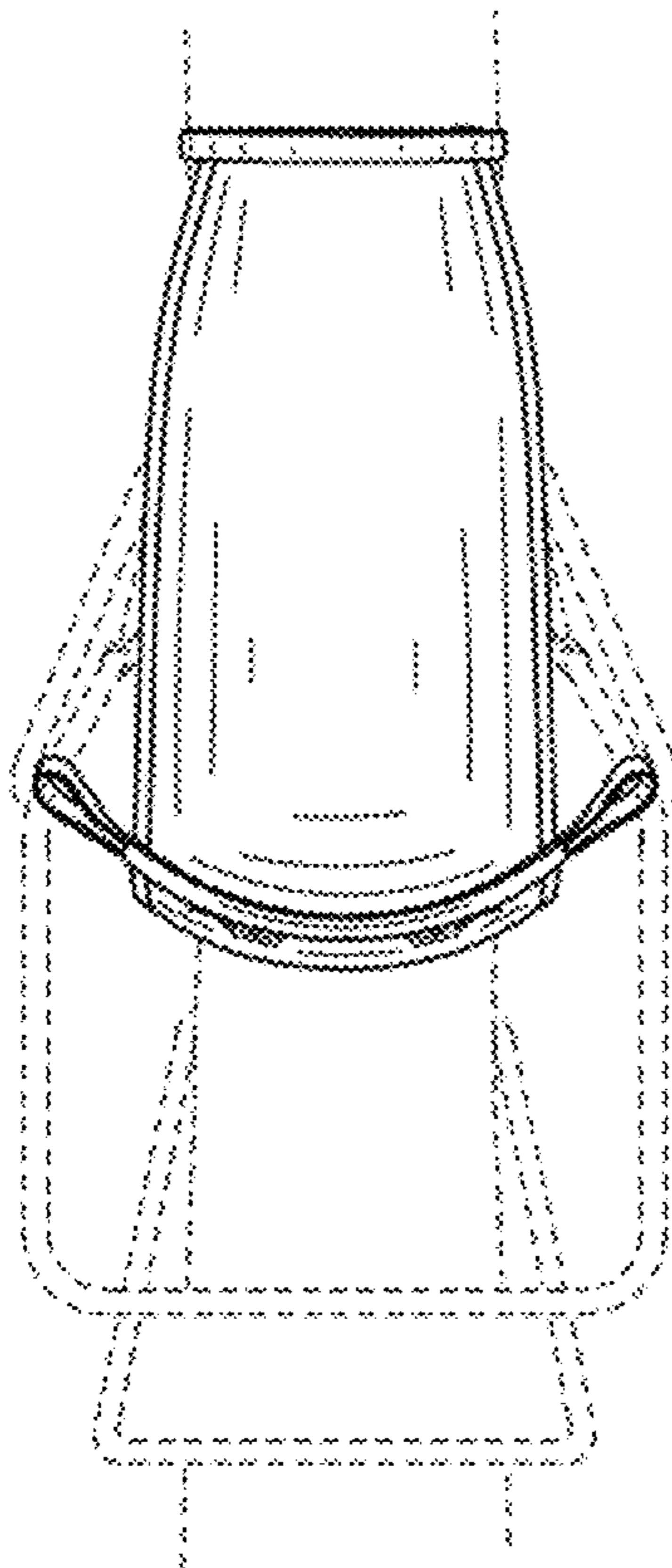


FIG. 2

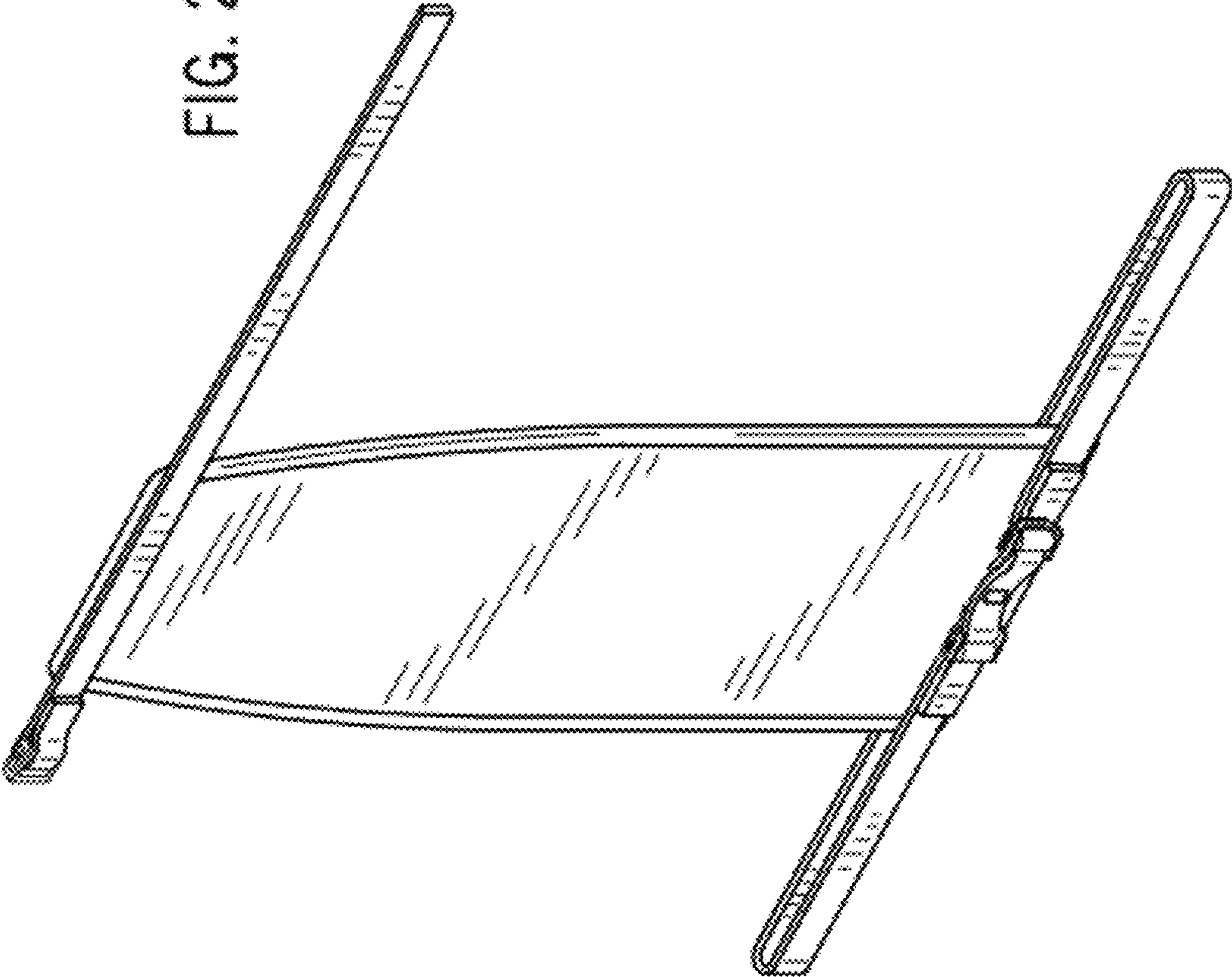


FIG. 1

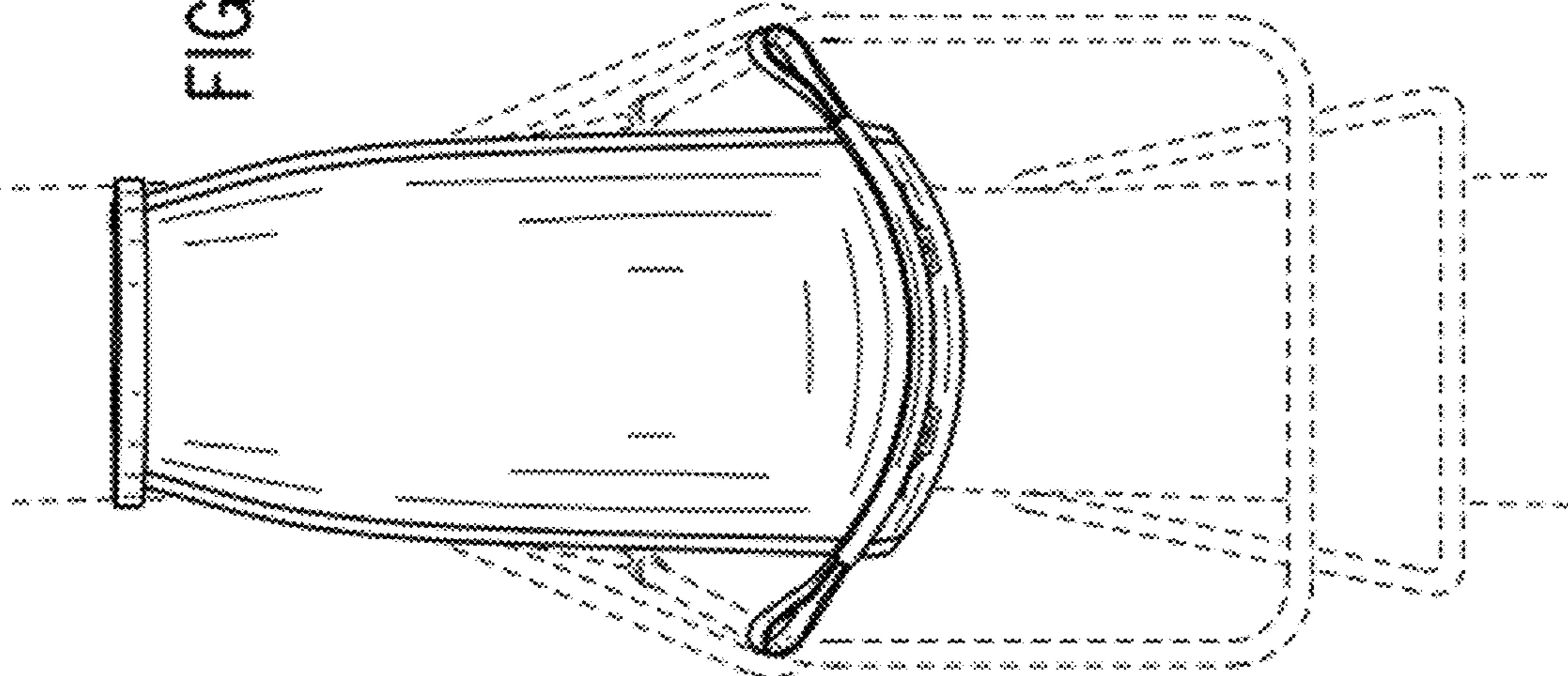




FIG. 4

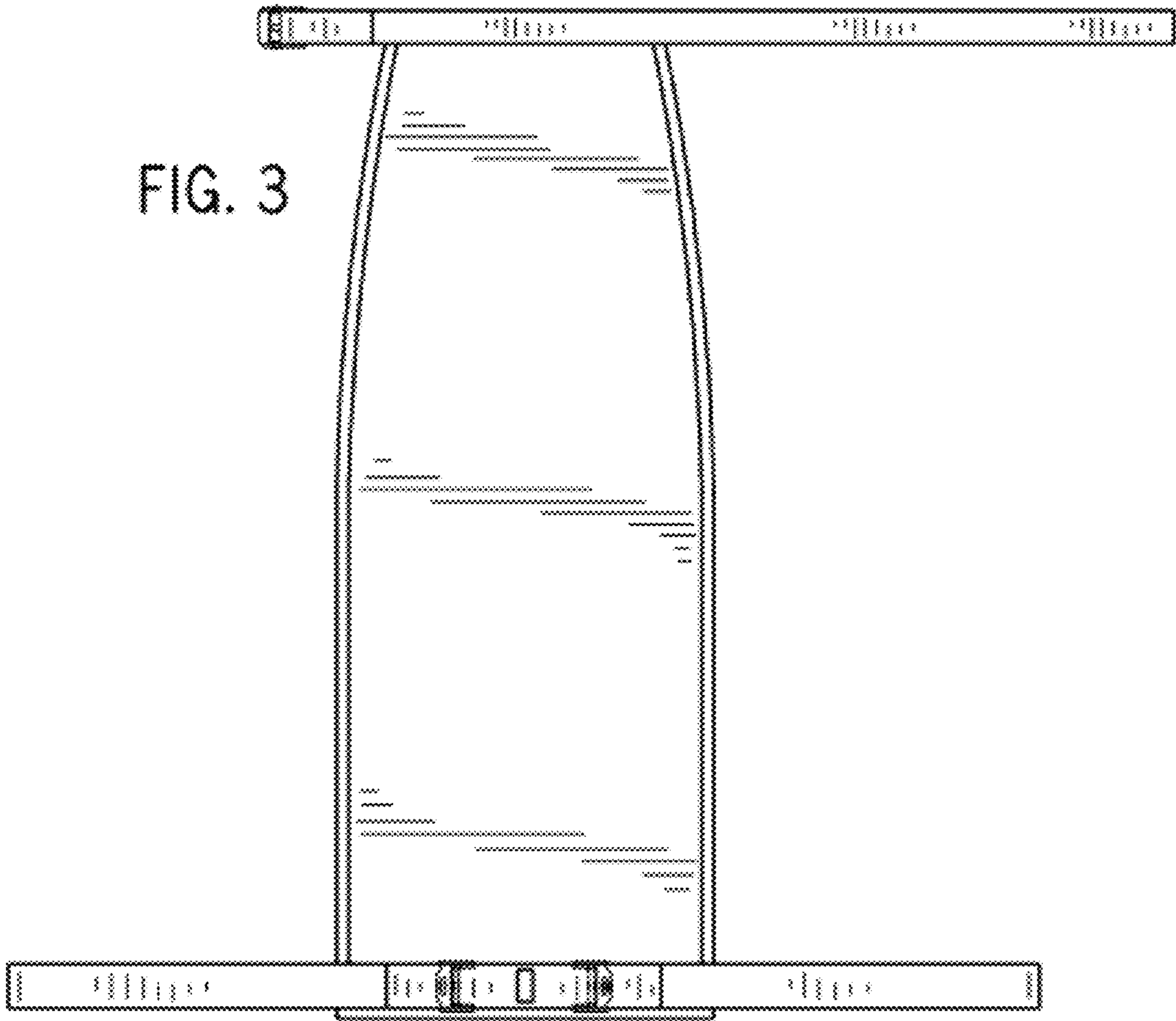


FIG. 3



FIG. 5

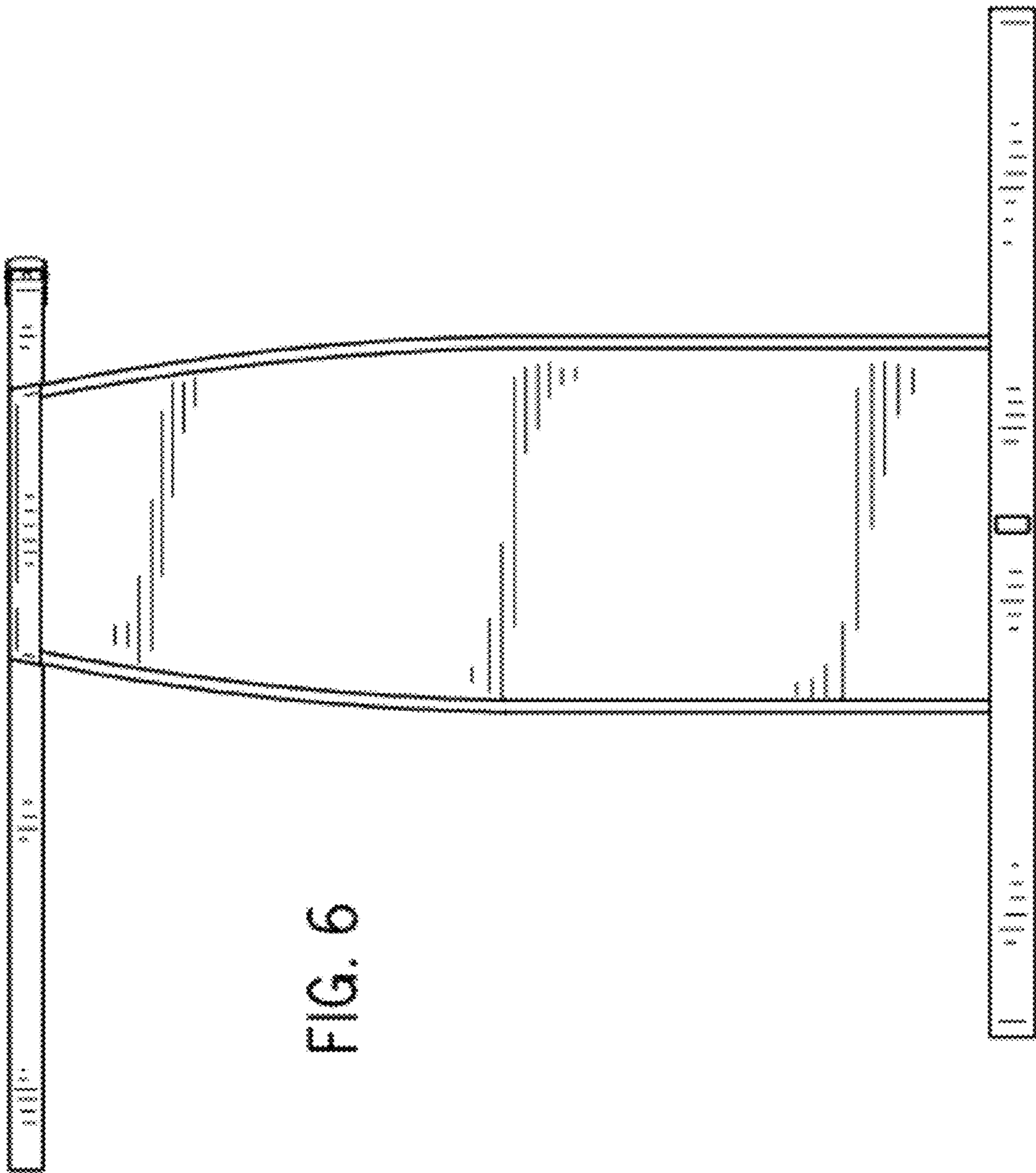


FIG. 6



FIG. 7

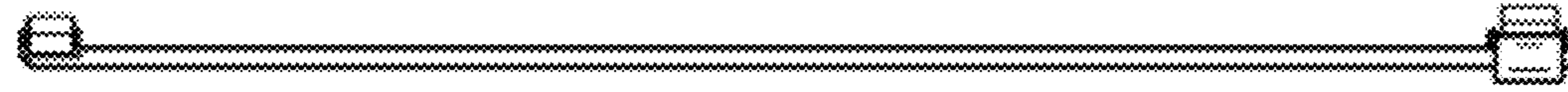


FIG. 8