



US00D676246S

(12) **United States Design Patent**
Gold et al.

(10) **Patent No.:** **US D676,246 S**

(45) **Date of Patent:** **** Feb. 19, 2013**

(54) **BATH TOY**

(76) Inventors: **Jonathan Morris Gold**, London (GB);
Daniel Jason Tyler, London (GB)

(**) Term: **14 Years**

(21) Appl. No.: **29/425,511**

(22) Filed: **Jun. 23, 2012**

(51) **LOC (9) Cl.** **08-05**

(52) **U.S. Cl.** **D4/122**

(58) **Field of Classification Search** D4/122,
D4/199; D6/317, 566; D8/370, 373, 107,
D8/303; 15/27, 230.11; 211/106, 106.01;
248/302; 492/13, 16, 17, 19; 16/422, 430,
16/431, 902, DIG. 12, DIG. 18, DIG. 19
See application file for complete search history.

(56) **References Cited**

U.S. PATENT DOCUMENTS

D198,835 S * 8/1964 Martin D4/122
D206,258 S * 11/1966 Roth D4/122
3,588,264 A * 6/1971 Mailindine 401/127

D458,032 S * 6/2002 Er D4/122
D483,571 S * 12/2003 Khubani D4/122
D597,313 S * 8/2009 Cane et al. D4/115
D622,063 S * 8/2010 Isaac D4/122
D638,222 S * 5/2011 Molinet et al. D4/122

* cited by examiner

Primary Examiner — Austin Murphy

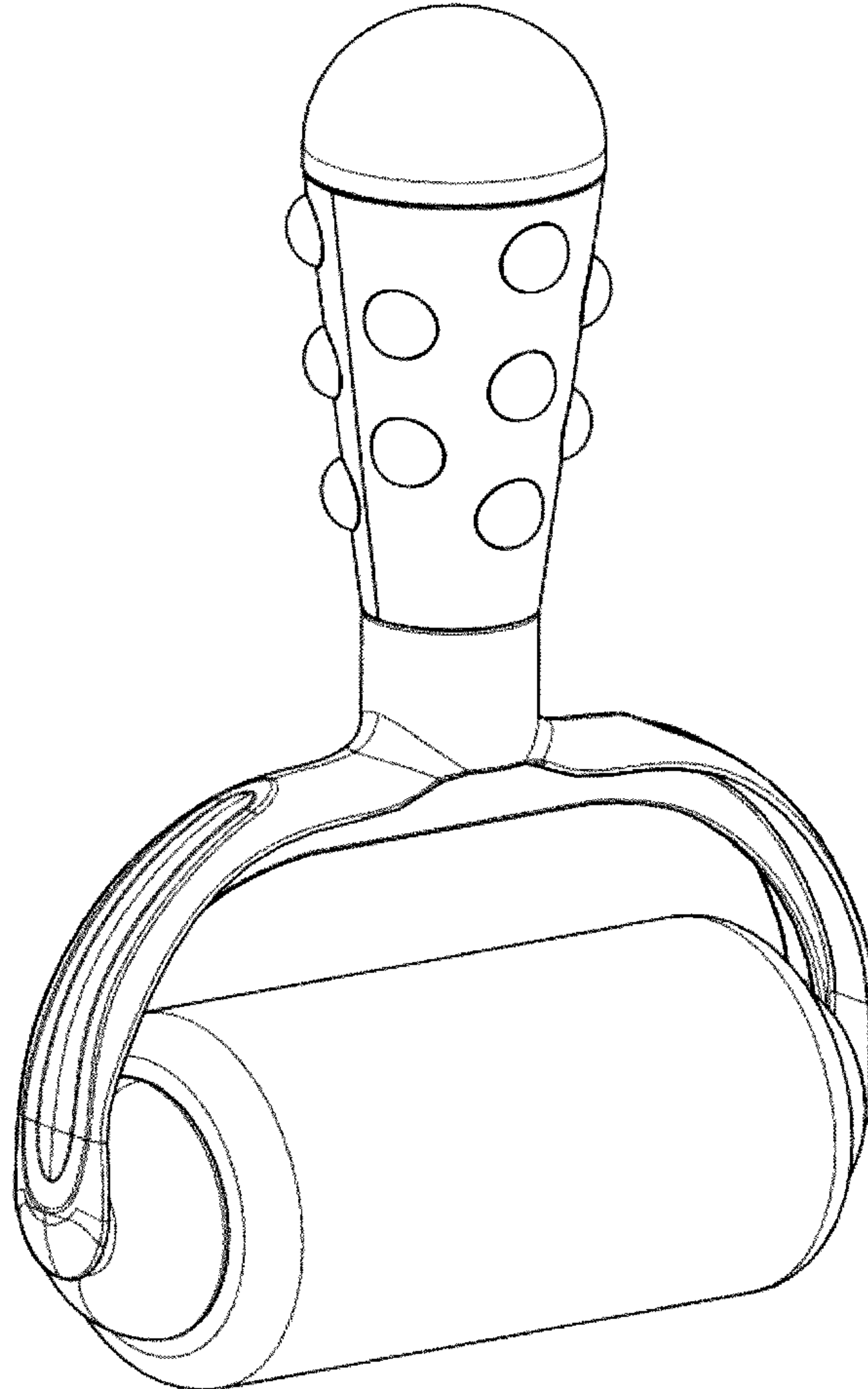
(57) **CLAIM**

The ornamental design for a bath toy, as shown.

DESCRIPTION

FIG. 1 is a front perspective view of a bath toy showing our new design;
FIG. 2 is a rear perspective view thereof;
FIG. 3 is a front elevational view thereof;
FIG. 4 is a rear elevational view thereof;
FIG. 5 is a bottom plan view thereof;
FIG. 6 is a top plan view thereof;
FIG. 7 is a first side elevational view thereof; and,
FIG. 8 is a second side elevational view thereof rotated by 180° relative to the first side elevational view of FIG. 7.

1 Claim, 8 Drawing Sheets



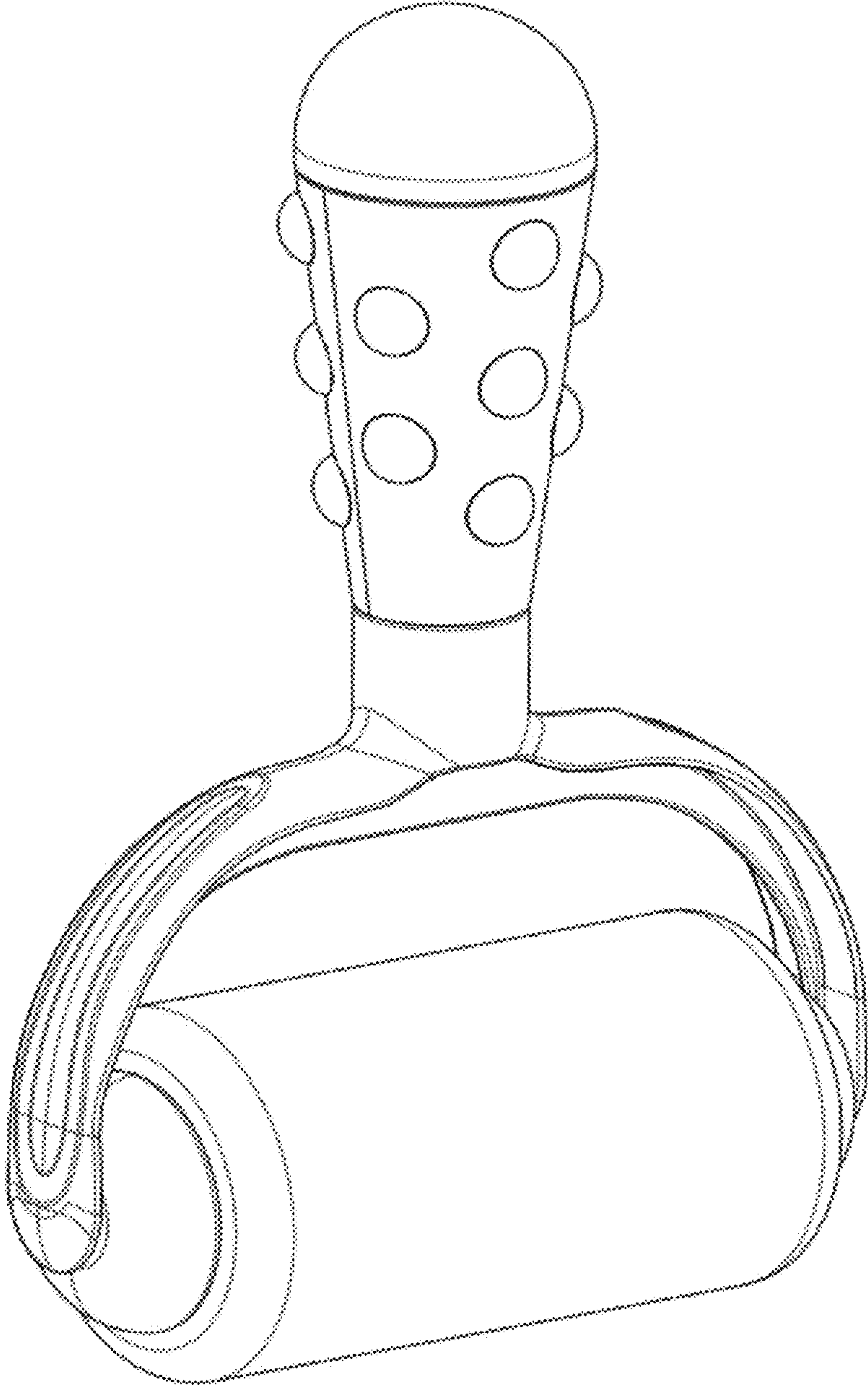


Fig. 1

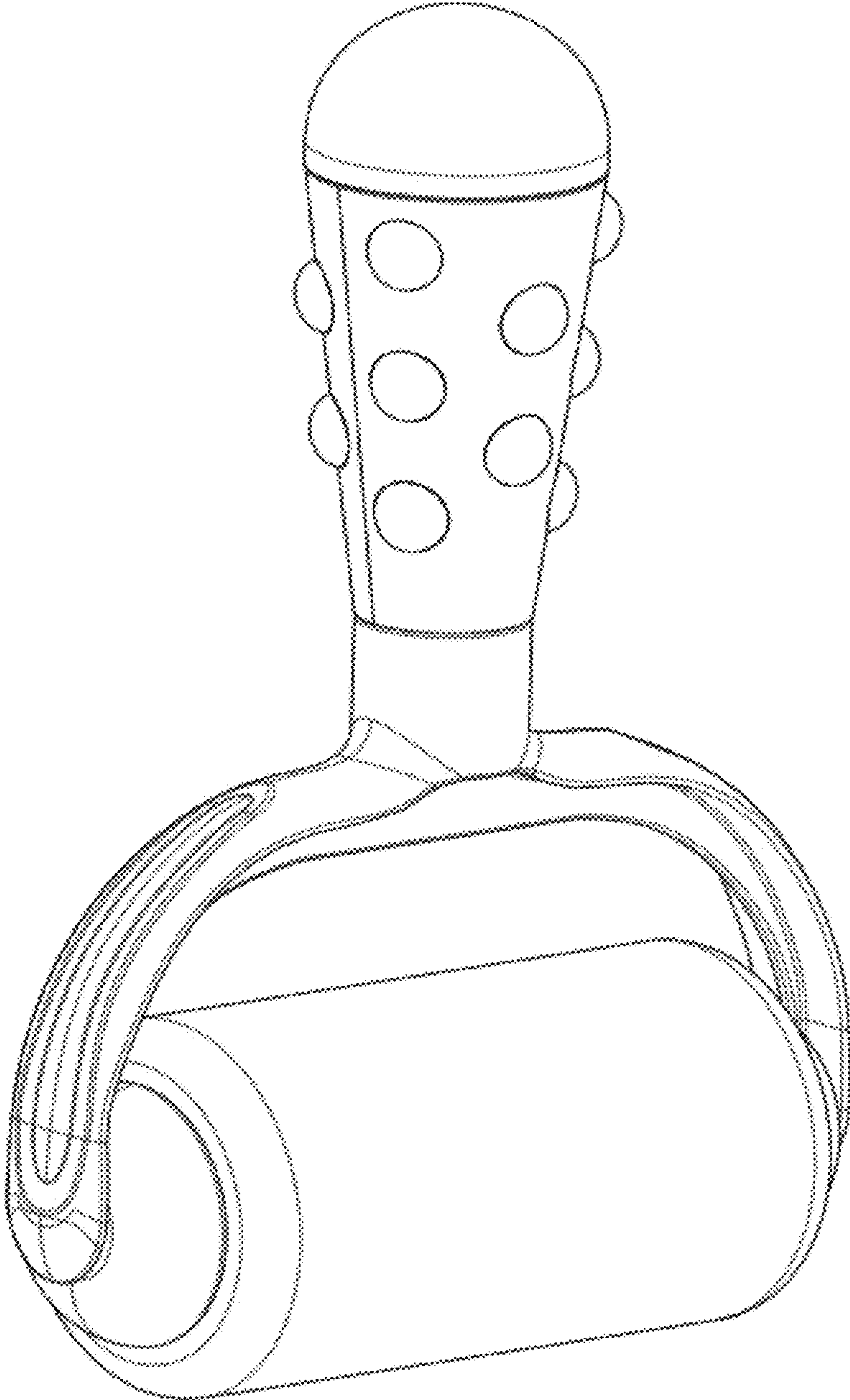


Fig. 2

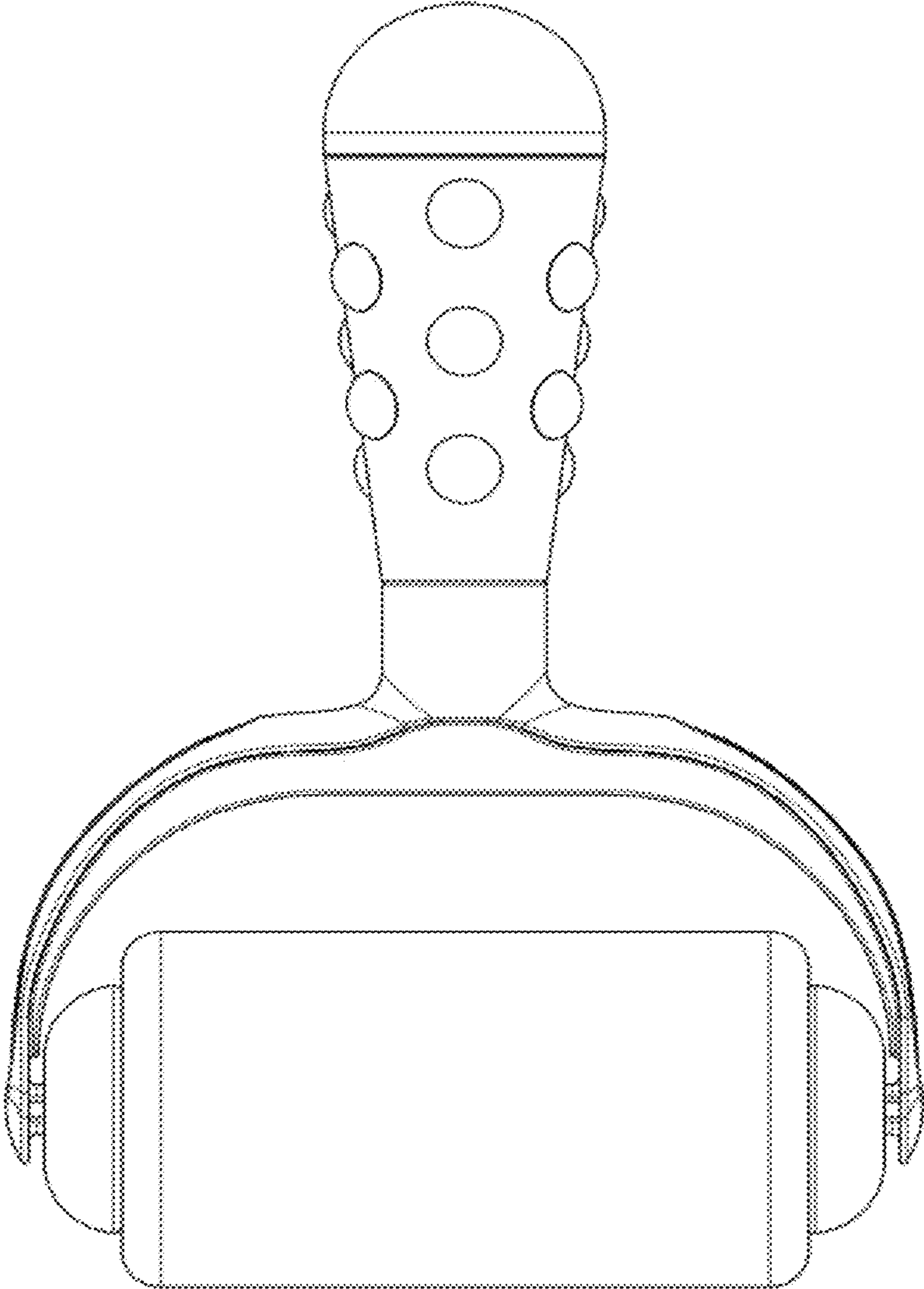


Fig. 3

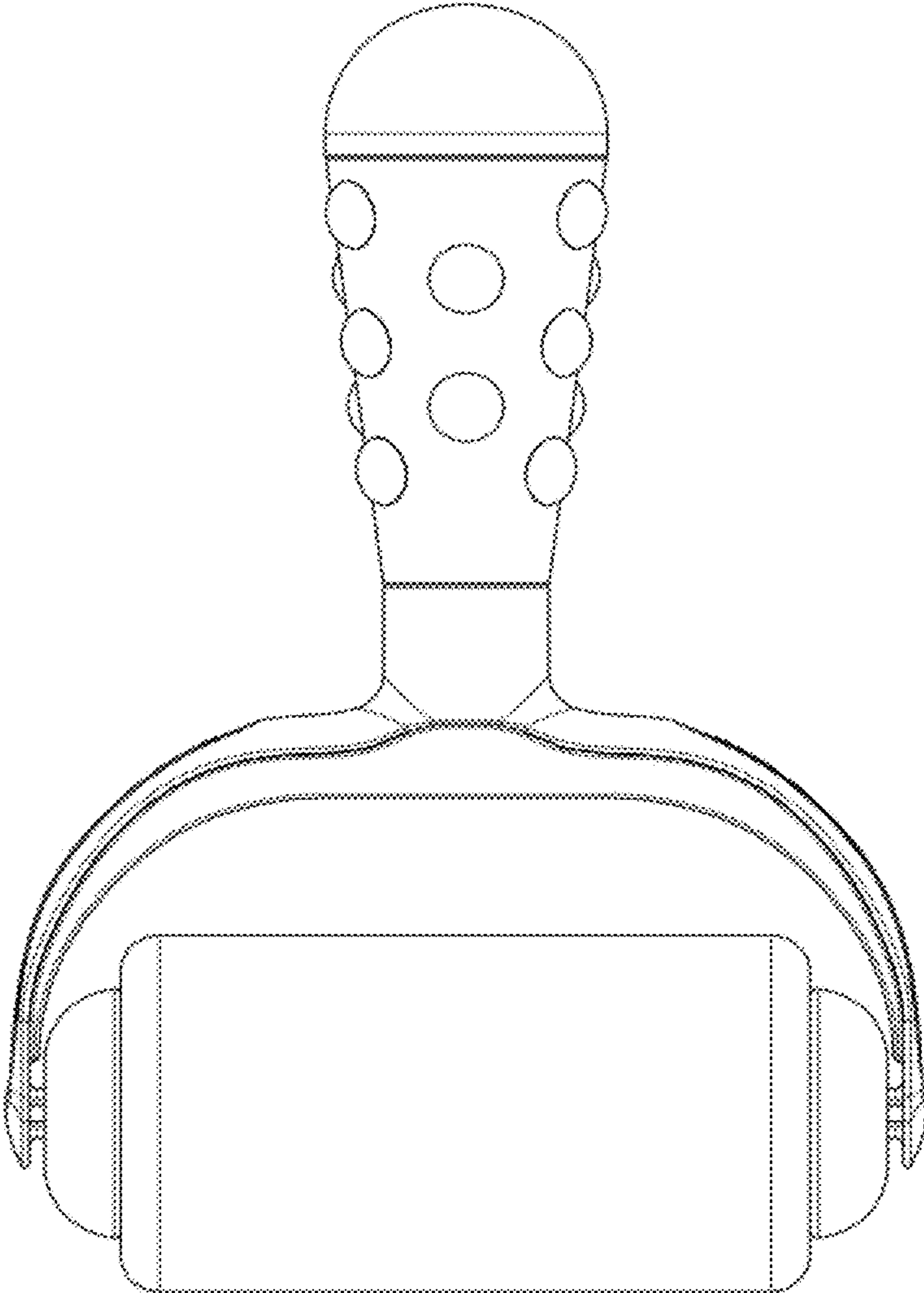


Fig. 4

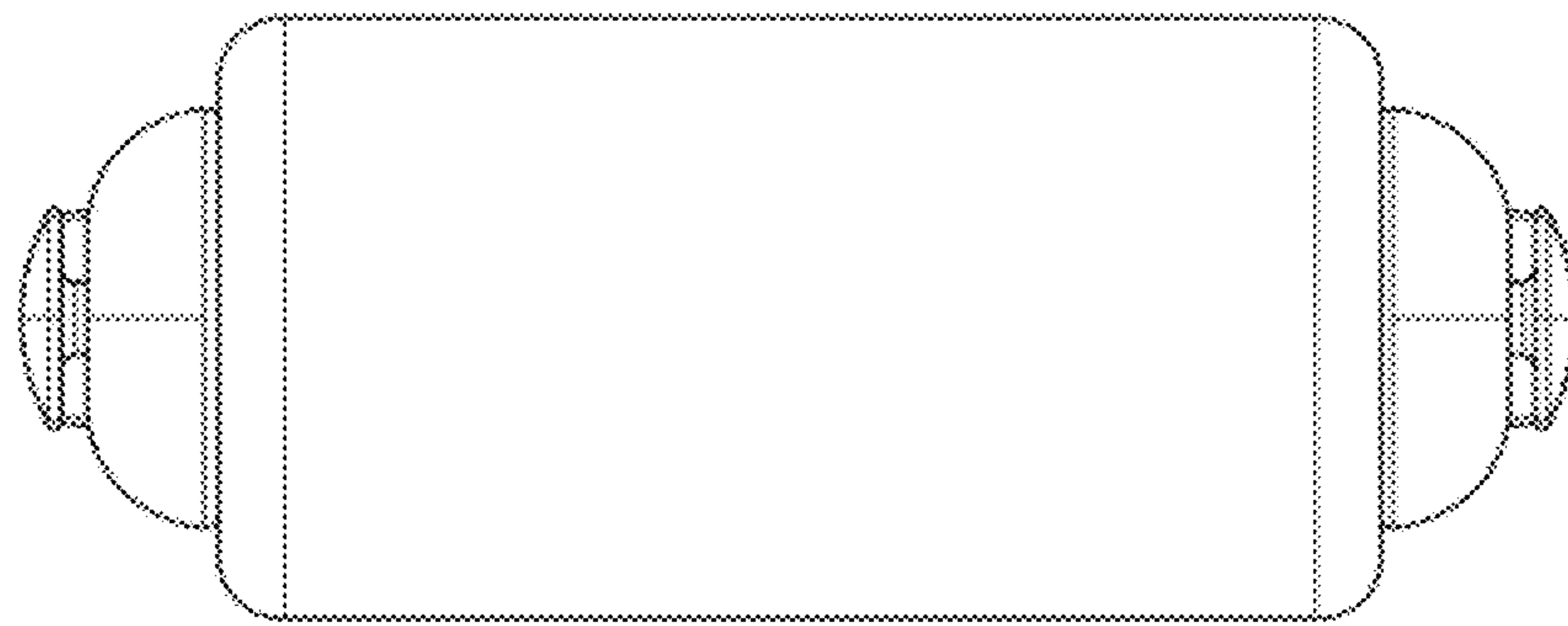


Fig. 5

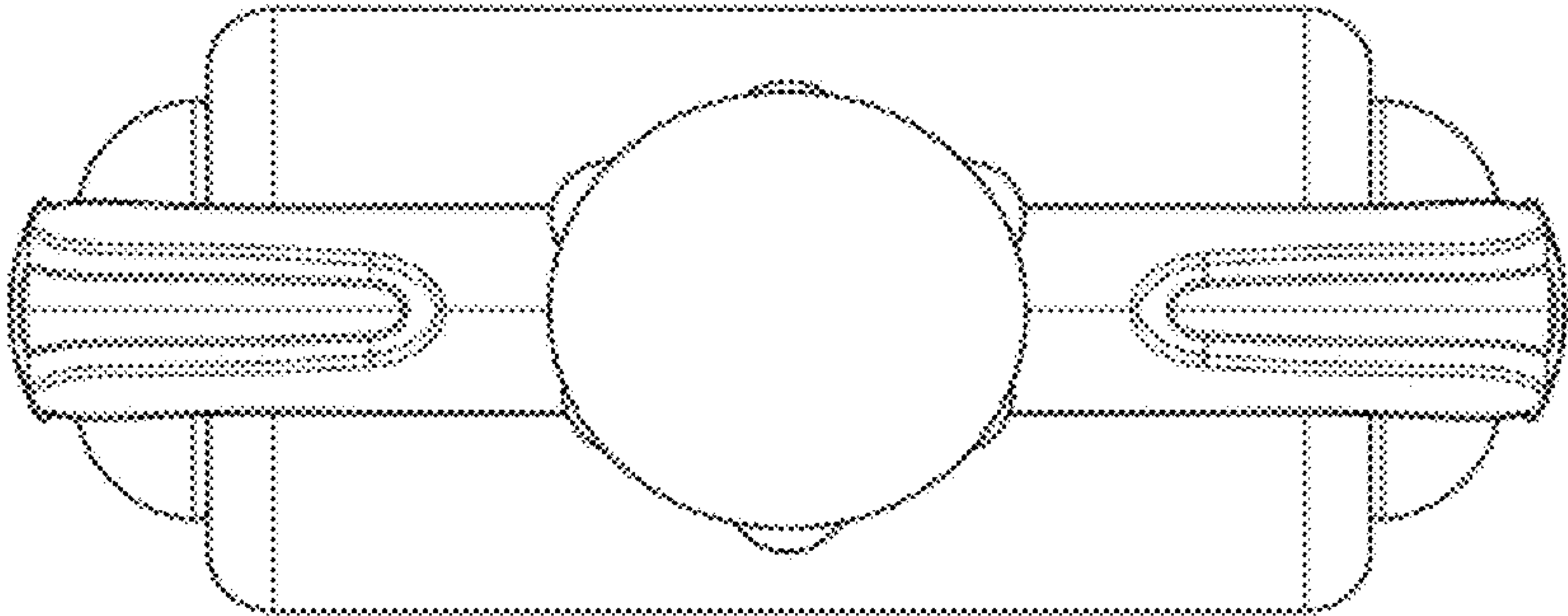


Fig. 6

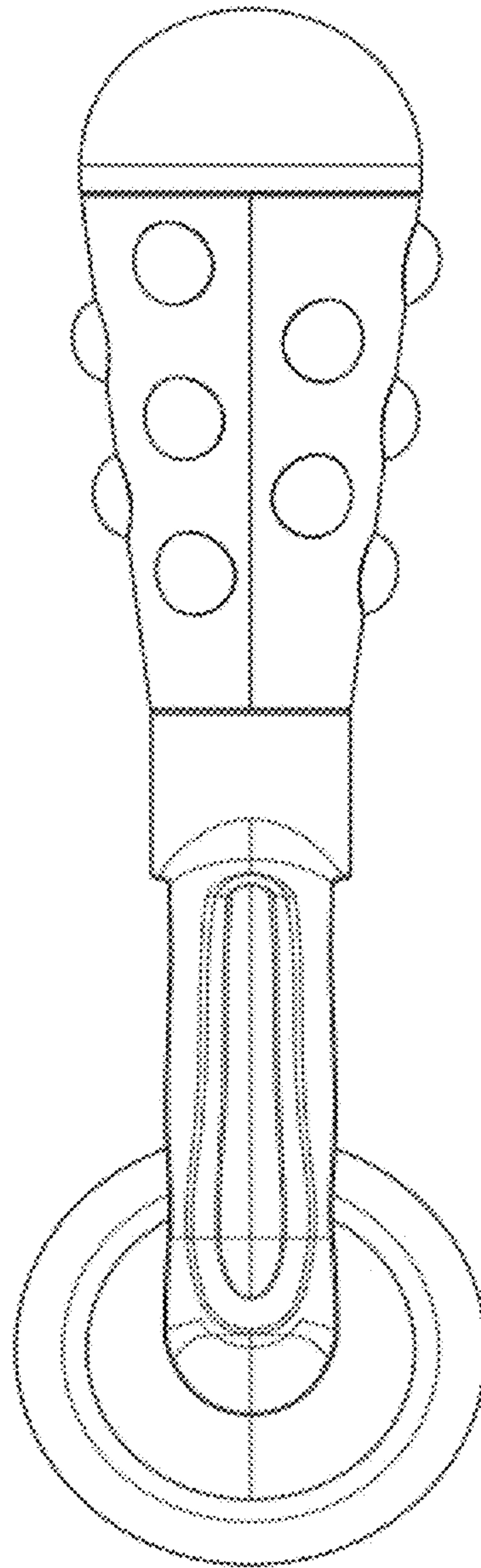


Fig. 7

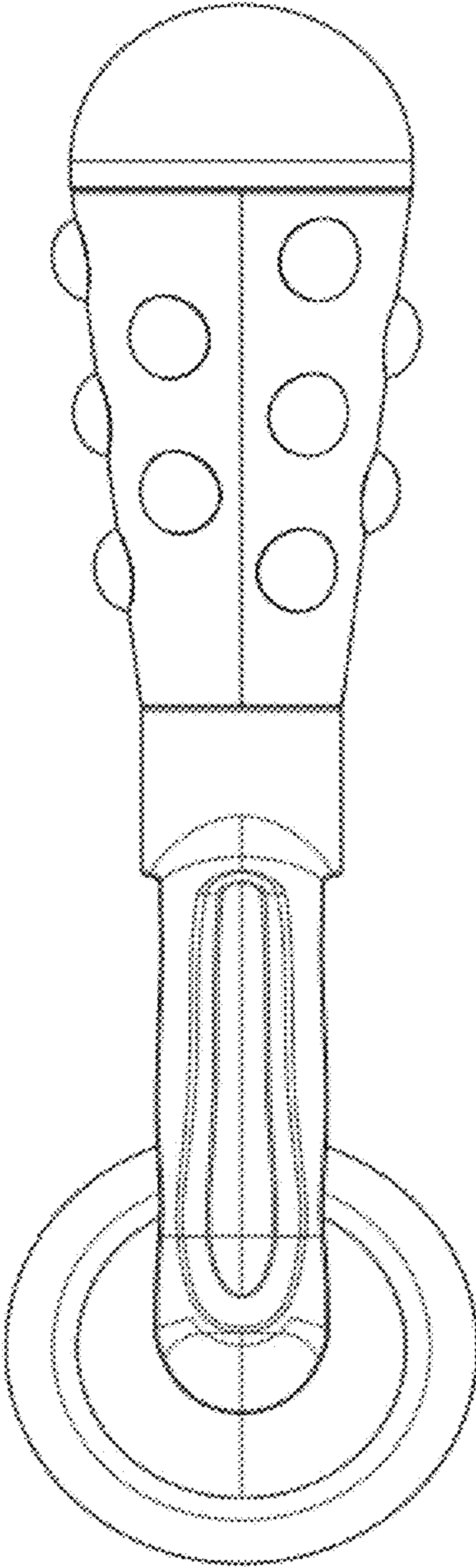


Fig. 8