



US00D676241S

(12) **United States Design Patent**
Merrill

(10) **Patent No.:** **US D676,241 S**

(45) **Date of Patent:** **** Feb. 19, 2013**

(54) **BASKET COVER**

(75) Inventor: **Paige Merrill**, Broadview Heights, OH (US)

(73) Assignee: **Royal Wire Products, Inc.**, North Royalton, OH (US)

(**) Term: **14 Years**

(21) Appl. No.: **29/394,520**

(22) Filed: **Jun. 17, 2011**

(51) **LOC (9) Cl.** **03-01**

(52) **U.S. Cl.** **D3/318**

(58) **Field of Classification Search** D3/300, D3/302, 282, 201, 203.2, 203.5, 206, 269, D3/273, 293, 905, 247-250, 261, 231, 327, D3/318, 214, 216, 304; D7/612; D9/418, D9/707, 709; 206/216, 223, 372, 379, 549, 206/473, 39, 39.5, 776, 530-534, 540; 190/108-111
See application file for complete search history.

(56) **References Cited**

U.S. PATENT DOCUMENTS

1,582,272	A *	4/1926	Josephson	220/9.1
1,986,780	A *	1/1935	Loring	220/9.1
2,544,075	A *	3/1951	Ernst et al.	383/33
3,322,313	A *	5/1967	Giondi	224/434
3,358,725	A *	12/1967	Bussard et al.	220/9.1
D305,469	S *	1/1990	Mautner	D3/309
5,310,077	A *	5/1994	McDermott et al.	220/495.03

D358,937	S *	6/1995	Duckworth	D3/306
D563,105	S *	3/2008	Rothschild	D3/302
D582,676	S *	12/2008	Rothschild	D3/302

* cited by examiner

Primary Examiner — Sheryl Lane

(74) *Attorney, Agent, or Firm* — McCarter & English, LLP

(57) **CLAIM**

I claim the ornamental design for a basket cover, as shown and described.

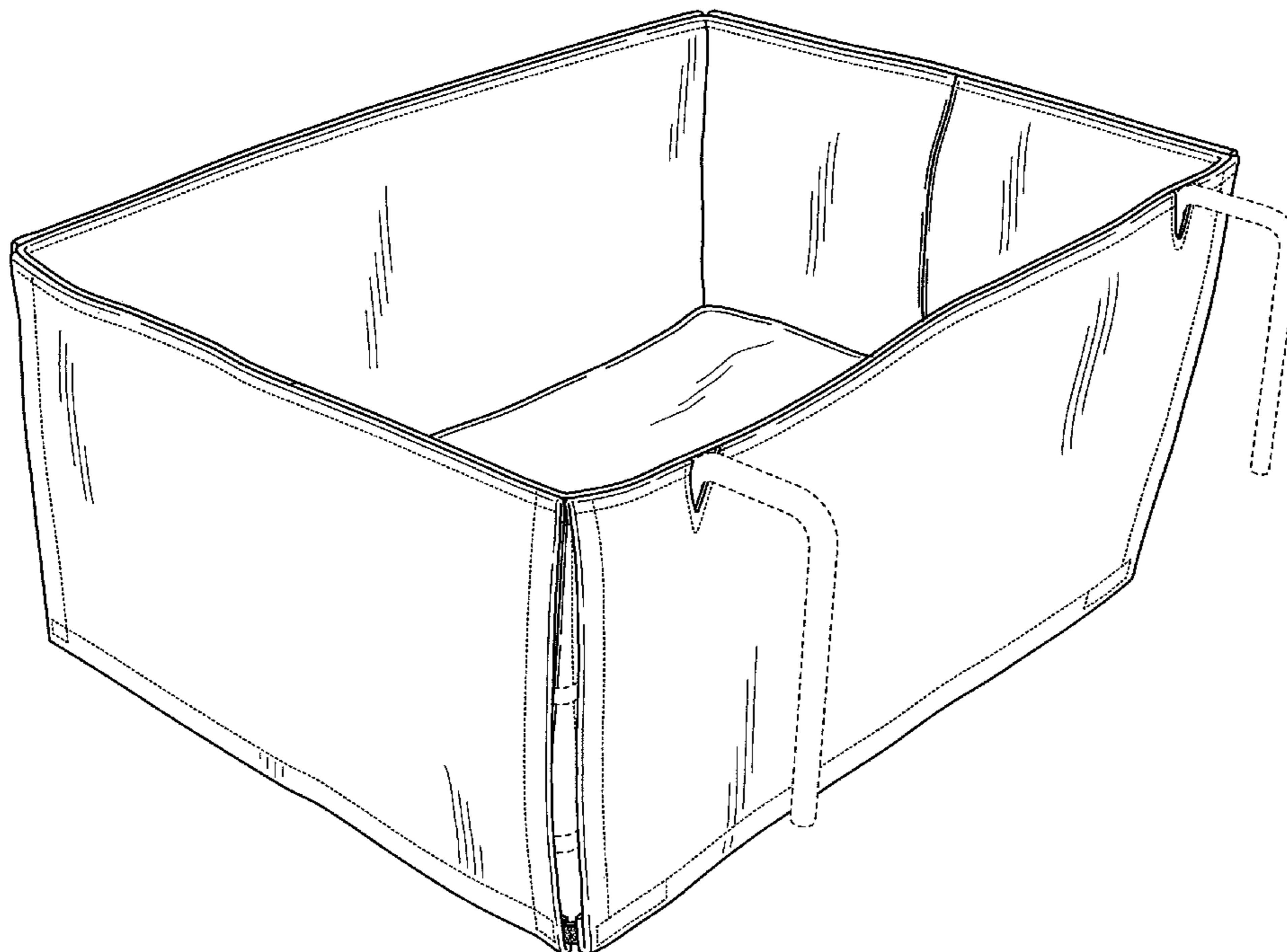
DESCRIPTION

FIG. 1 is an upper perspective view of the basket cover of the present invention positioned on a basket;
FIG. 2 is a lower perspective view thereof;
FIG. 3 is a front view of the basket cover;
FIG. 4 is a rear view thereof;
FIG. 5 is a side view thereof, the other side being a mirror image thereof;
FIG. 6 is a top view thereof;
FIG. 7 is a bottom view thereof;
FIG. 8 is an upper perspective view thereof with outer side walls lifted away from inner side walls; and,
FIG. 9 is a lower perspective view thereof.

The broken lines shown are for illustrative purposes only and form no part of the claimed design.

The lid has been removed in FIGS. 3-9 for ease of illustration. The dashed lines within the perimeter of the basket cover represents stitching and does form part of the claimed design.

1 Claim, 9 Drawing Sheets



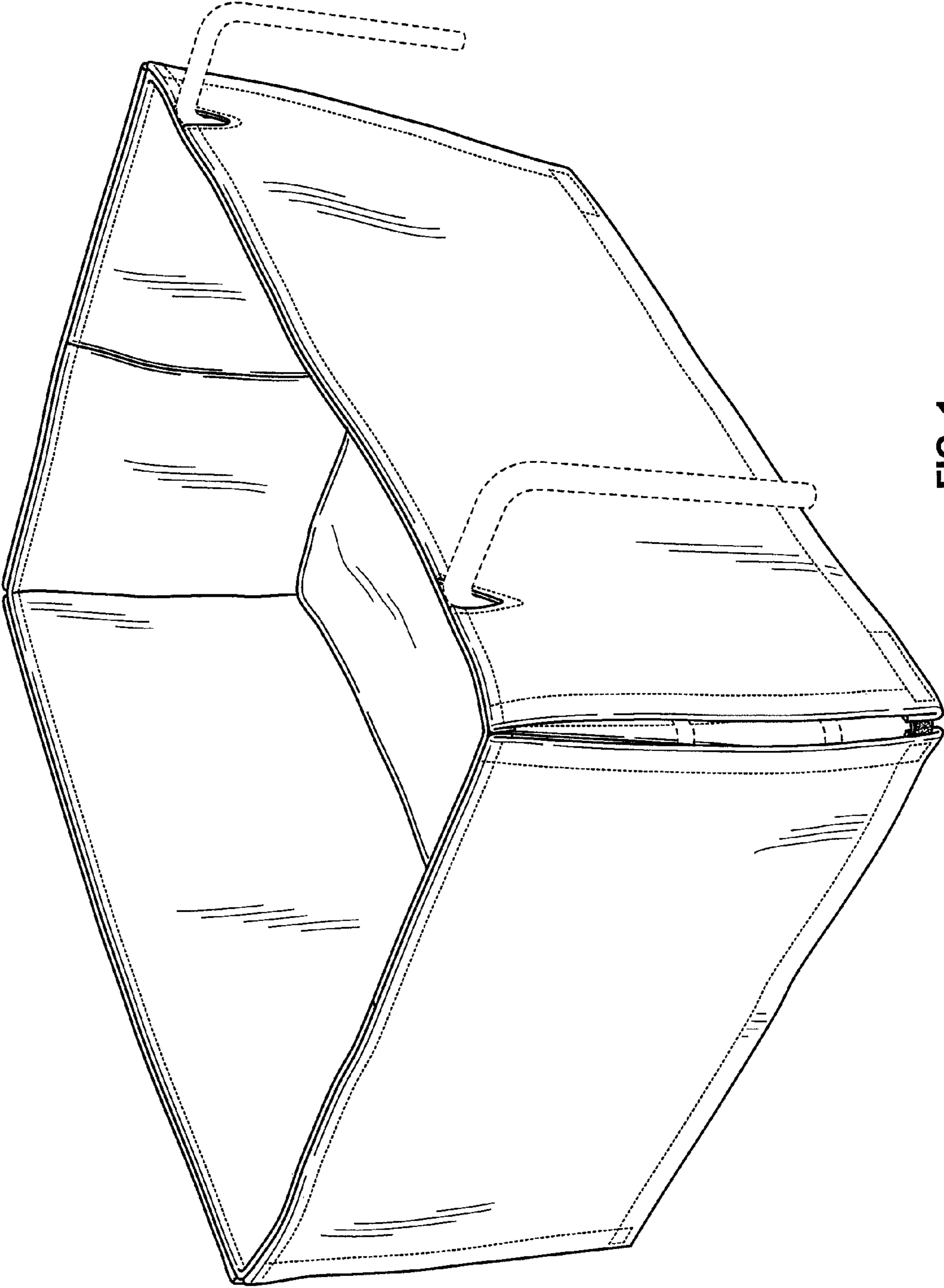


FIG. 1

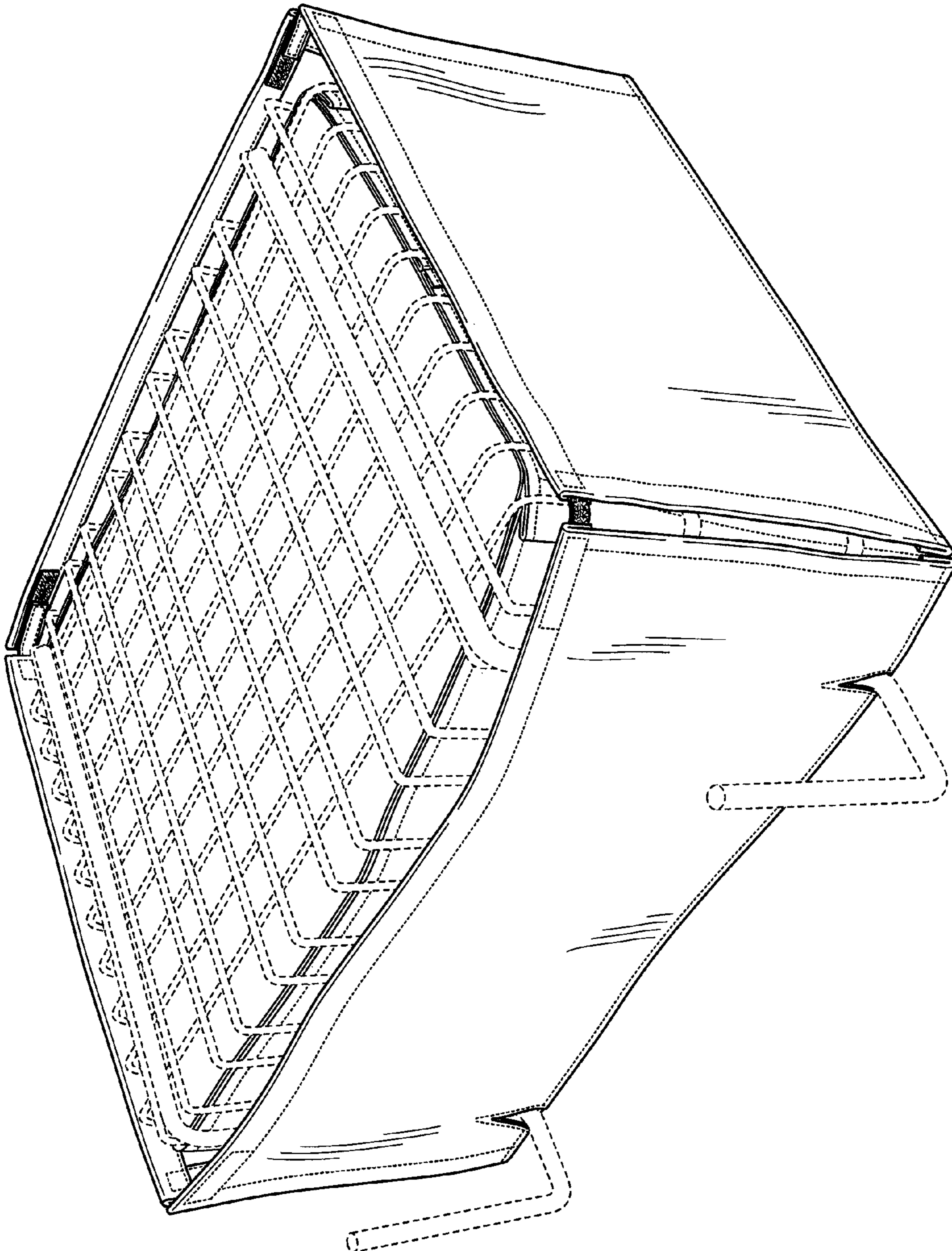


FIG. 2

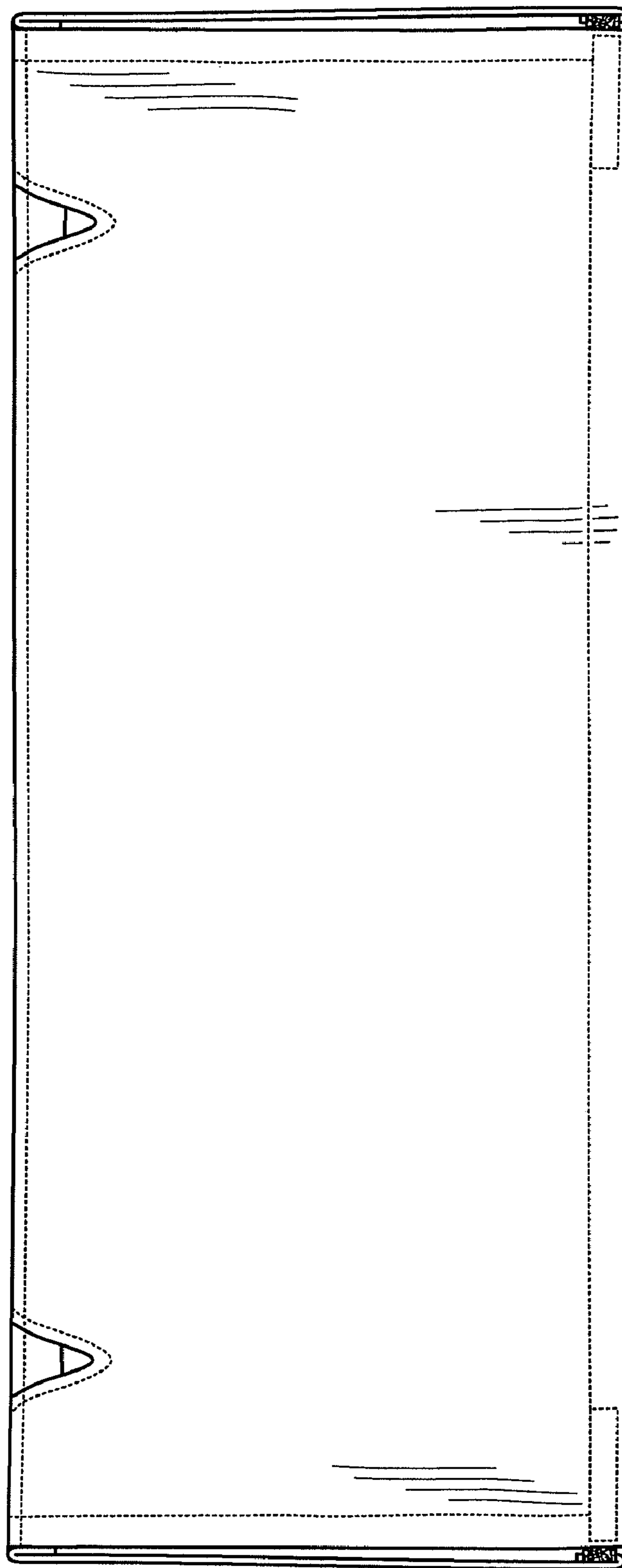


FIG. 3

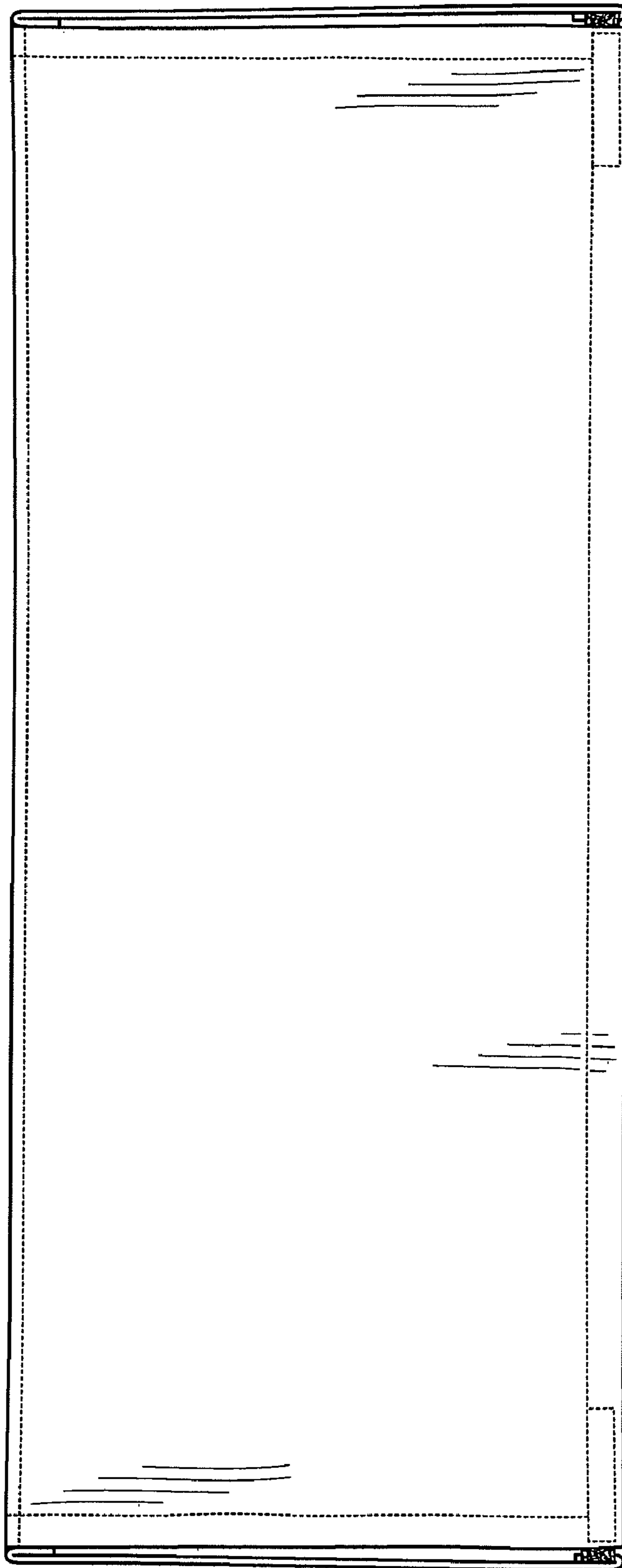


FIG. 4

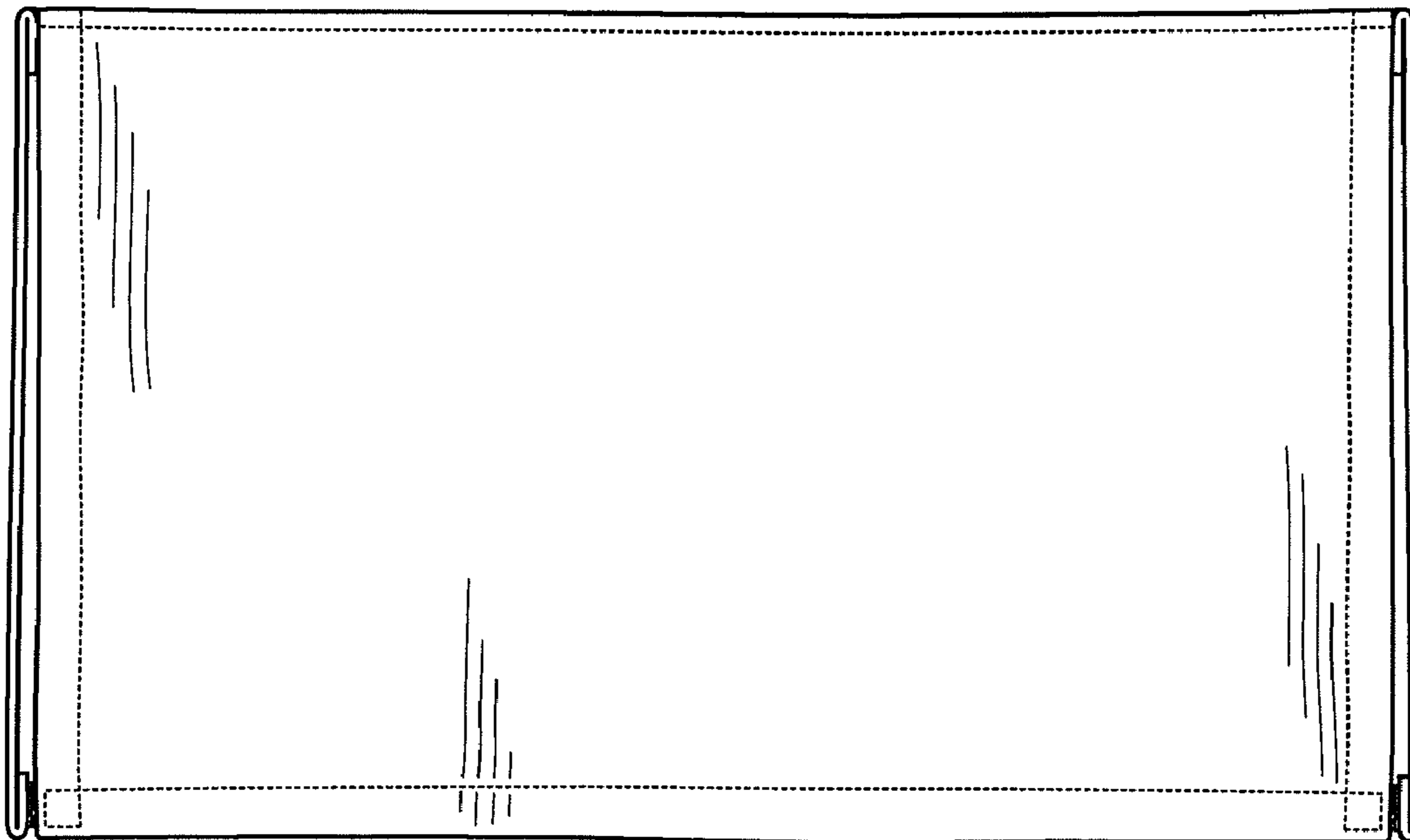


FIG. 5

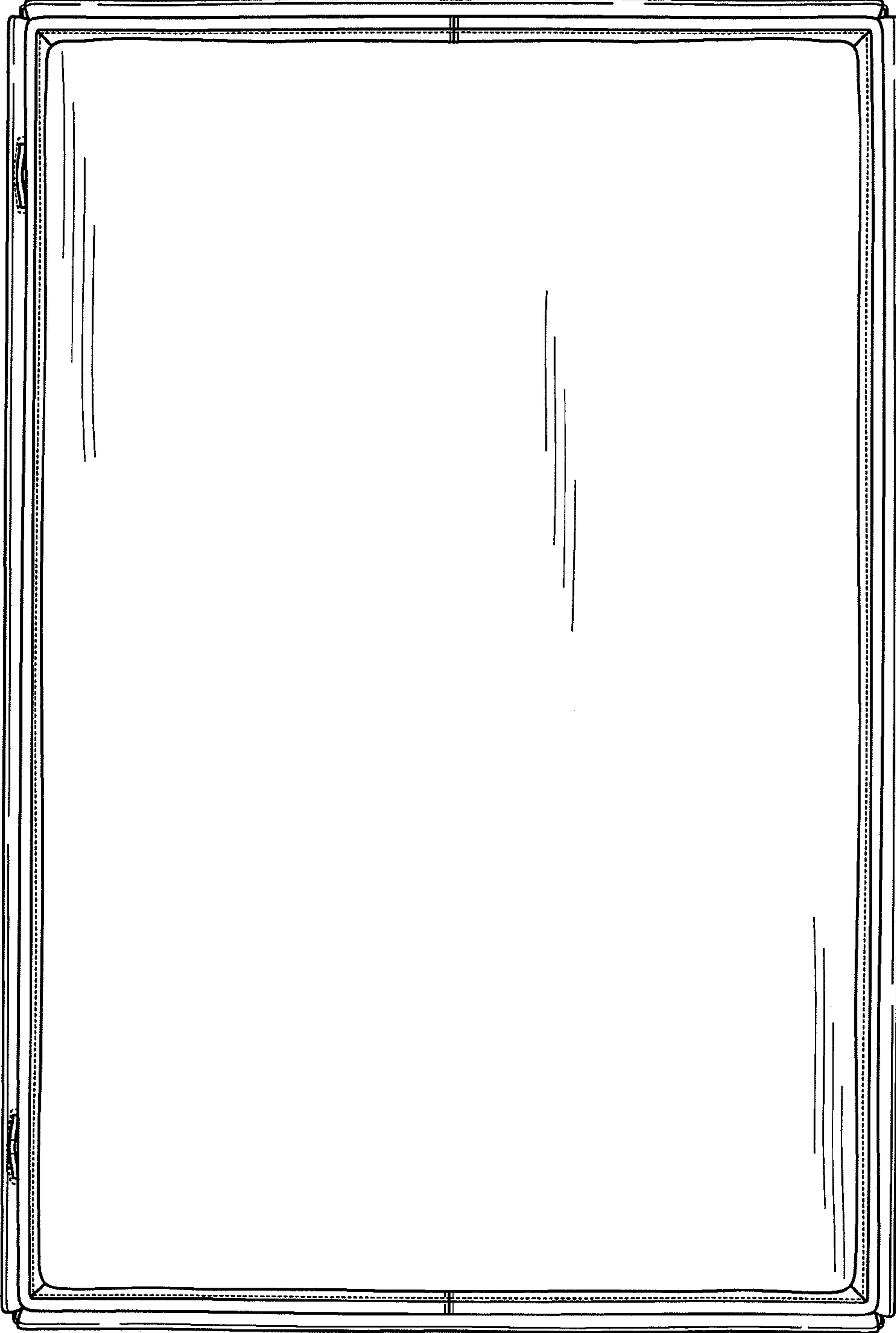


FIG. 6

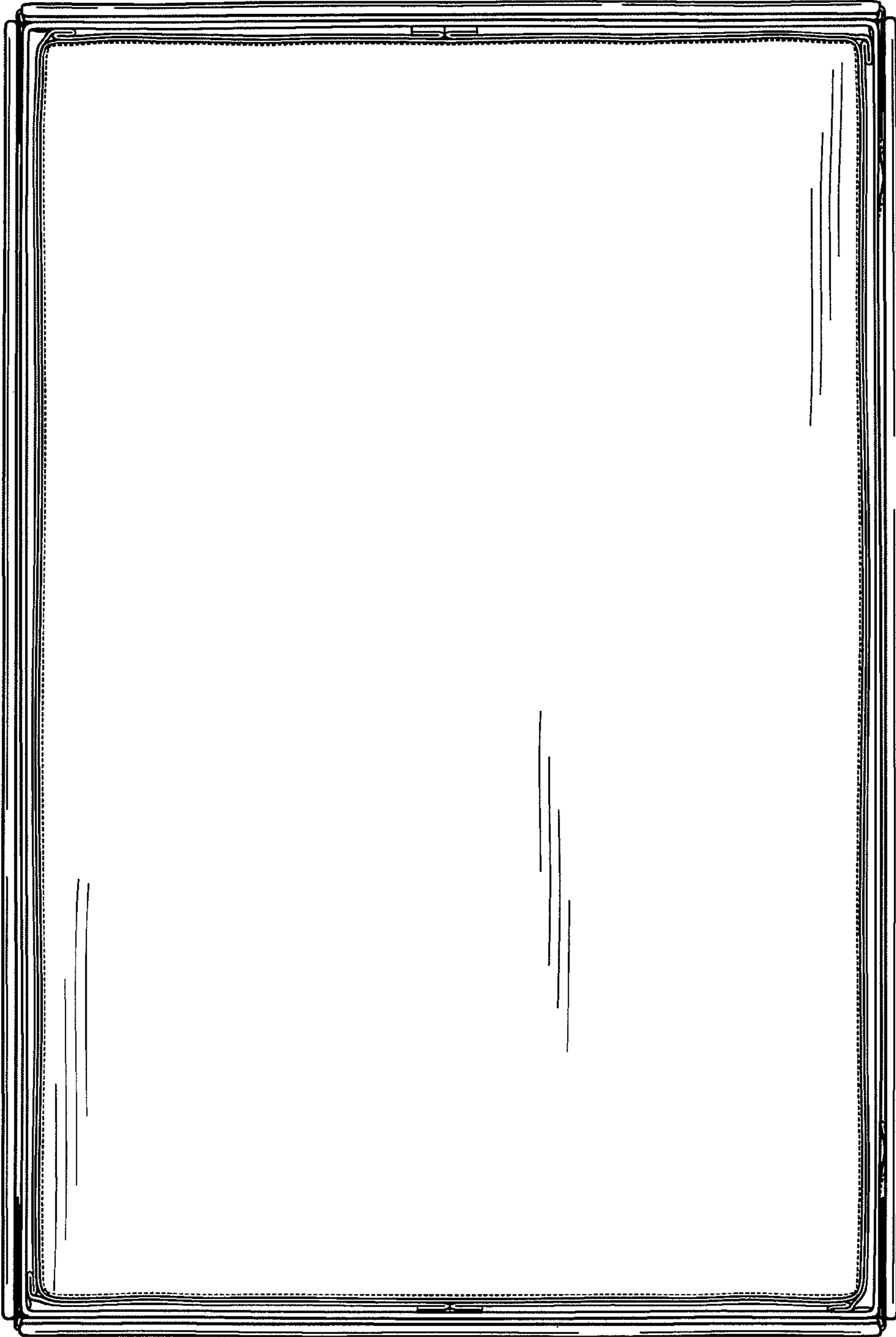


FIG. 7

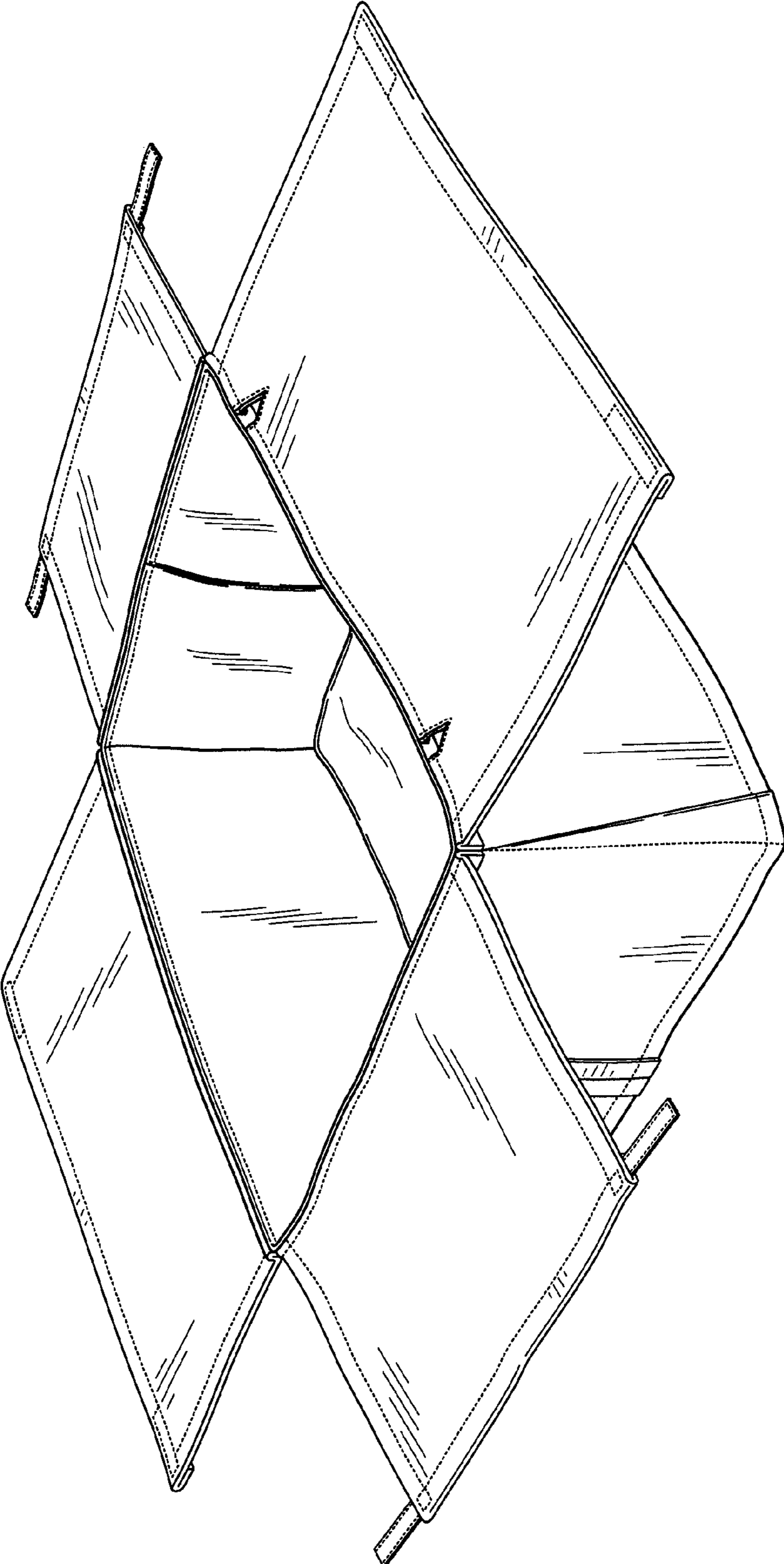


FIG. 8

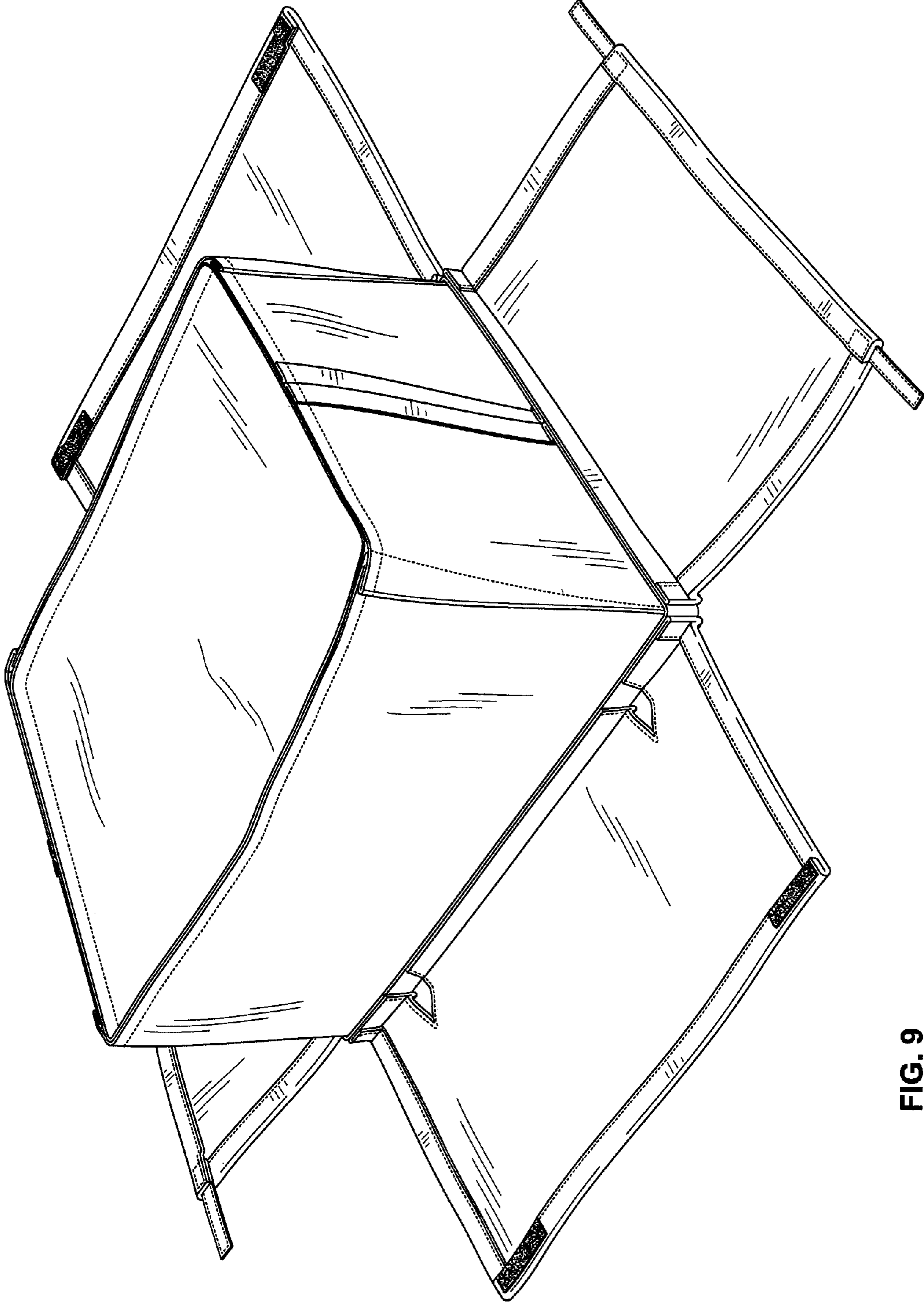


FIG. 9

UNITED STATES PATENT AND TRADEMARK OFFICE
CERTIFICATE OF CORRECTION

PATENT NO. : D676,241 S
APPLICATION NO. : 29/394520
DATED : February 19, 2013
INVENTOR(S) : Paige Merrill

Page 1 of 1

It is certified that error appears in the above-identified patent and that said Letters Patent is hereby corrected as shown below:

On the Title Page:

In the Description, the sentence "The lid has been removed in FIGS. 3-9 for ease of illustration" should be deleted.

Signed and Sealed this
Seventh Day of May, 2013



Teresa Stanek Rea
Acting Director of the United States Patent and Trademark Office