



US00D676240S

(12) **United States Design Patent**  
**Baker**

(10) **Patent No.:** **US D676,240 S**

(45) **Date of Patent:** **\*\* Feb. 19, 2013**

(54) **CAROUSEL ORGANIZER**

(75) Inventor: **Tim Alan Baker**, Torrance, CA (US)

(73) Assignee: **Jobar International, Inc.**, Carson, CA (US)

(\*\*) Term: **14 Years**

(21) Appl. No.: **29/426,459**

(22) Filed: **Jul. 5, 2012**

(51) **LOC (9) Cl.** ..... **03-01**

(52) **U.S. Cl.** ..... **D3/313**

(58) **Field of Classification Search** ..... D3/304,  
D3/307-308, 310, 313, 315, 905; D6/512-514;  
220/500, 505, 904; 206/557-566

See application file for complete search history.

D597,261 S *	7/2009	Dye et al.	.....	D30/123
D609,058 S *	2/2010	Roth et al.	.....	D7/602
D611,662 S *	3/2010	Vosbikian	.....	D30/128
D616,671 S *	6/2010	Biraghi	.....	D6/455
D622,539 S *	8/2010	Simon et al.	.....	D7/354
D628,386 S *	12/2010	Kohn	.....	D3/313
D636,539 S *	4/2011	Montoya	.....	D30/129
D656,758 S *	4/2012	Snider	.....	D6/458

\* cited by examiner

*Primary Examiner* — Kelley Donnelly

(74) *Attorney, Agent, or Firm* — Christie, Parker & Hale, LLP

(57) **CLAIM**

The ornamental design for carousel organizer, as shown and described.

**DESCRIPTION**

FIG. 1 is a perspective view of a first embodiment of my new carousel organizer design;

FIG. 2 is a top view of the first embodiment of my new carousel organizer design shown in FIG. 1;

FIG. 3 is a side view of the first embodiment of my new carousel organizer design shown in FIG. 1; and,

FIG. 4 is a bottom view of the first embodiment of my new carousel organizer design shown in FIG. 1.

The broken lines are for illustrative purposes only and form no part of the claimed design.

**1 Claim, 4 Drawing Sheets**

(56) **References Cited**

**U.S. PATENT DOCUMENTS**

D176,097 S *	11/1955	Bonistall	.....	D7/501
5,441,164 A *	8/1995	Beck et al.	.....	220/575
D370,314 S *	5/1996	Pearson-Falcon	.....	D30/130
D401,810 S *	12/1998	Swift	.....	D7/553.6
D418,018 S *	12/1999	Winsted	.....	D7/553.8
D423,732 S *	4/2000	McGee	.....	D30/129
D460,897 S *	7/2002	Leuenberger	.....	D7/553.8
D472,712 S *	4/2003	Sagen	.....	D3/315
6,550,630 B1 *	4/2003	Krupa	.....	220/575
D496,831 S *	10/2004	Strahota et al.	.....	D7/600.3
D527,954 S *	9/2006	Roth	.....	D7/557
D587,529 S *	3/2009	Pratt	.....	D7/555

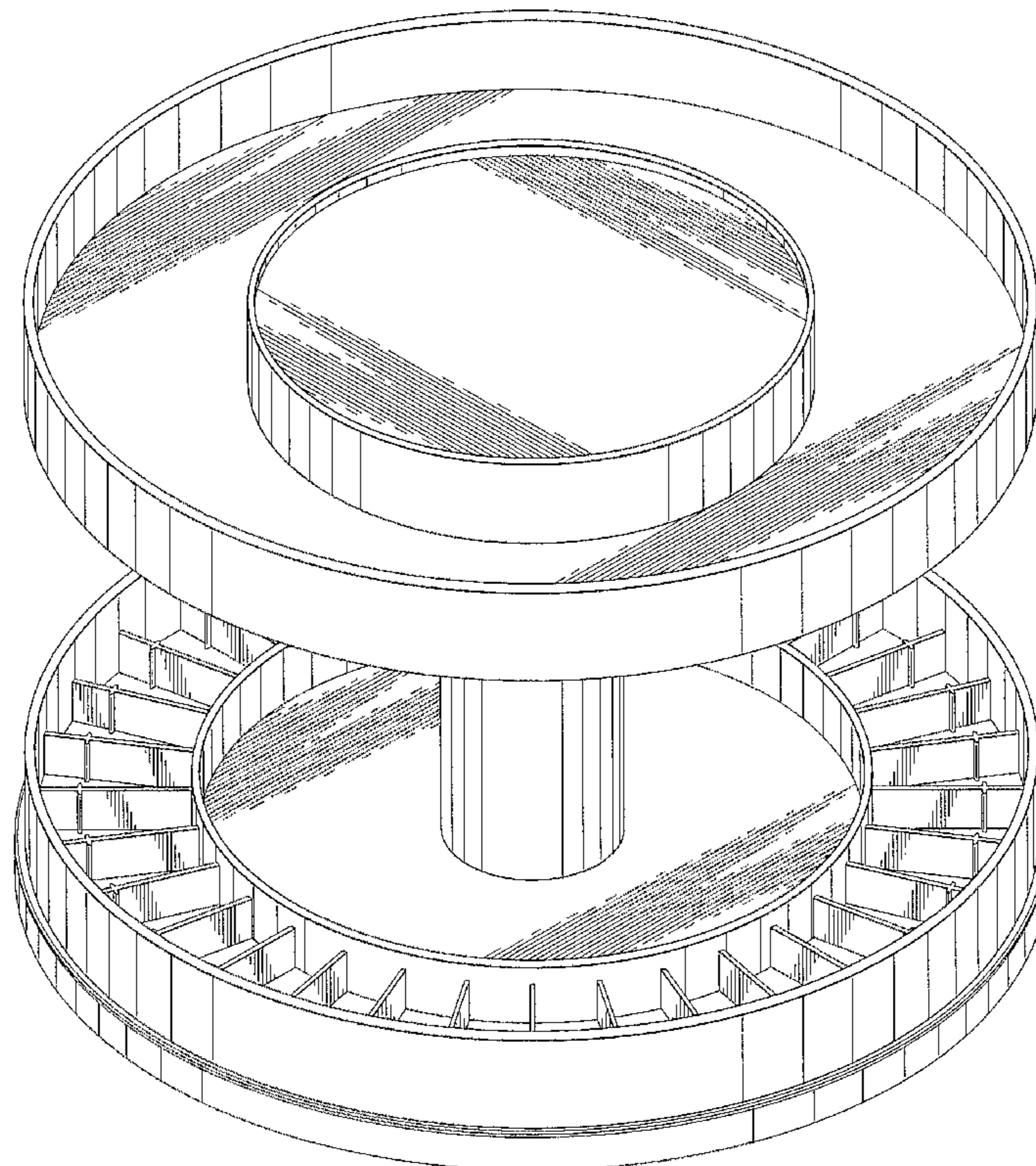


FIG. 1

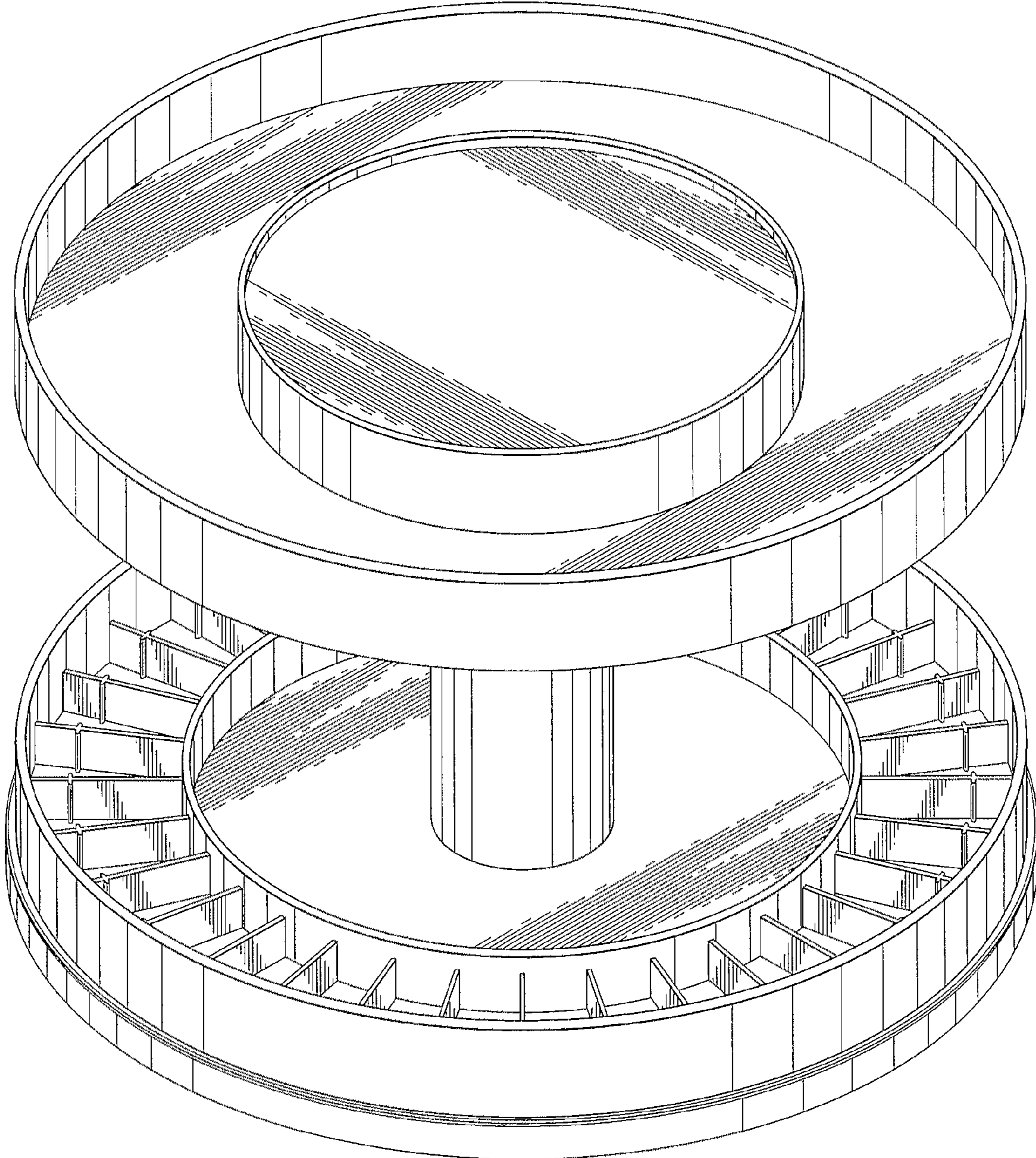
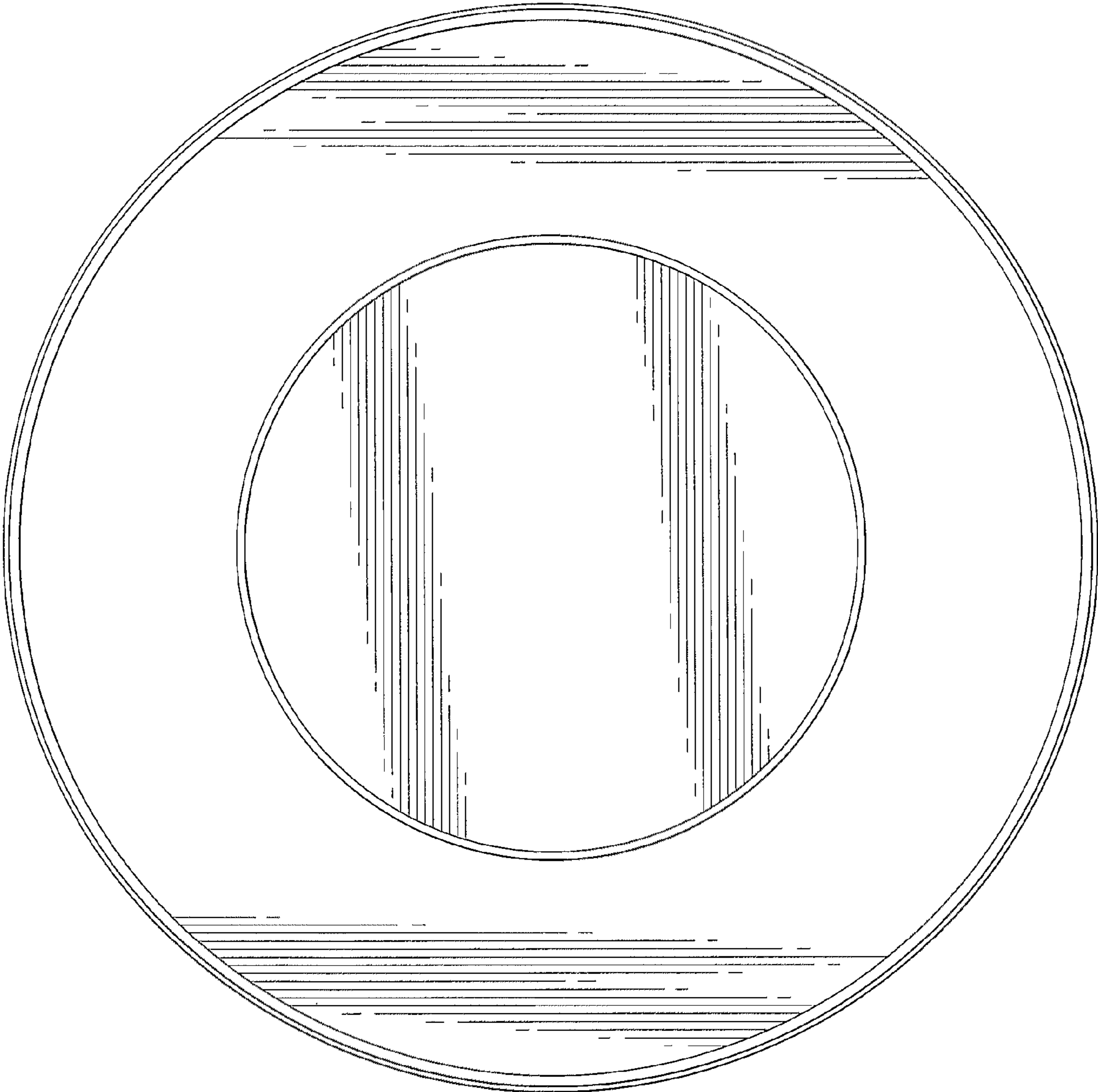


FIG. 2



*FIG. 3*

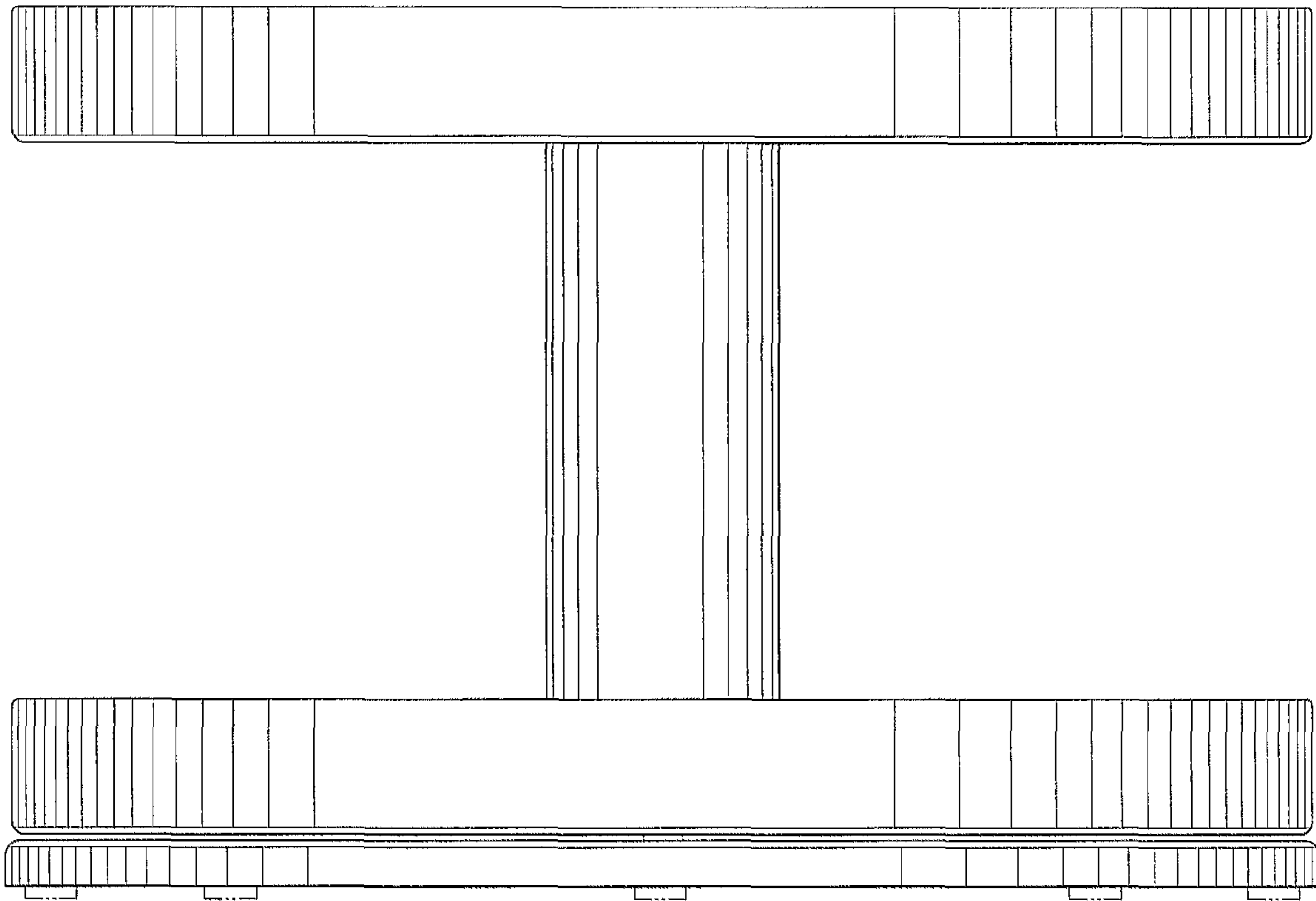


FIG. 4

