



US00D676238S

(12) **United States Design Patent**
Wu et al.

(10) **Patent No.:** **US D676,238 S**
(45) **Date of Patent:** **** Feb. 19, 2013**

(54) **STORAGE BOX**

(75) Inventors: **Yi-Ra Wu**, Taichung (TW); **Joe Chang**,
Taichung (TW); **Yang Lai**, Taichung
(TW); **Chuan-Hong Wang**, Taichung
(TW)

(73) Assignee: **Shuter Enterprise Co., Ltd.**, Taichung
City (TW)

(**) Term: **14 Years**

(21) Appl. No.: **29/403,803**

(22) Filed: **Oct. 11, 2011**

(51) **LOC (9) Cl.** **03-01**

(52) **U.S. Cl.** **D3/294**

(58) **Field of Classification Search** D3/293–295,
D3/273, 302, 905, 276, 283, 201; 206/349,
206/372; D7/629; D30/133; D9/420; 220/523,
220/4.21, 4.22

See application file for complete search history.

(56) **References Cited**

U.S. PATENT DOCUMENTS

4,260,069 A * 4/1981 Juergens 220/812
D311,799 S * 10/1990 Embree et al. D3/294
D336,243 S * 6/1993 Evans D3/294
5,673,811 A * 10/1997 Dickinson et al. 220/812
D429,882 S * 8/2000 Lee et al. D3/294

D515,313 S * 2/2006 Uffner et al. D3/294
D540,992 S * 4/2007 Fick D30/133
D554,301 S * 10/2007 Fick D30/133
D554,302 S * 10/2007 Fick D30/133
D590,668 S * 4/2009 Kim D7/629
7,789,238 B2 * 9/2010 Claypool et al. 206/508
D628,020 S * 11/2010 Lim D7/629
D646,057 S * 10/2011 Loaiza D3/273

* cited by examiner

Primary Examiner — Sheryl Lane

(74) *Attorney, Agent, or Firm* — Muncy, Geissler, Olds &
Lowe, PLLC

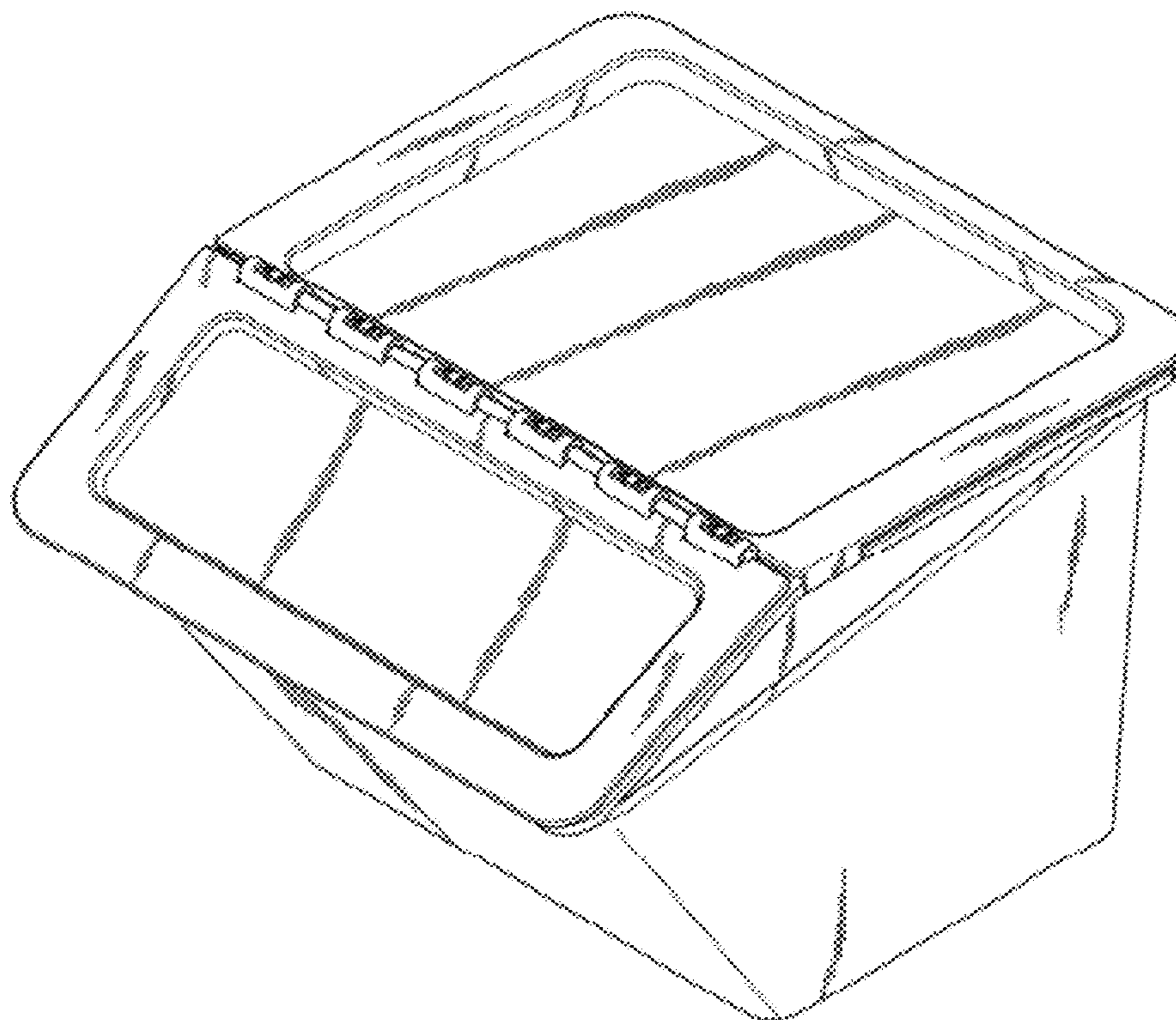
(57) **CLAIM**

The ornamental design for a storage box, as shown.

DESCRIPTION

FIG. 1 shows a perspective view of the present design.
FIG. 2 shows a front elevational view of the present design.
FIG. 3 shows a rear elevational view of the present design.
FIG. 4 shows a left side elevational view of the present design.
FIG. 5 shows a right side elevational view of the present
design.
FIG. 6 shows a top plan view of the present design; and,
FIG. 7 shows a bottom plan view of the present design.

1 Claim, 7 Drawing Sheets



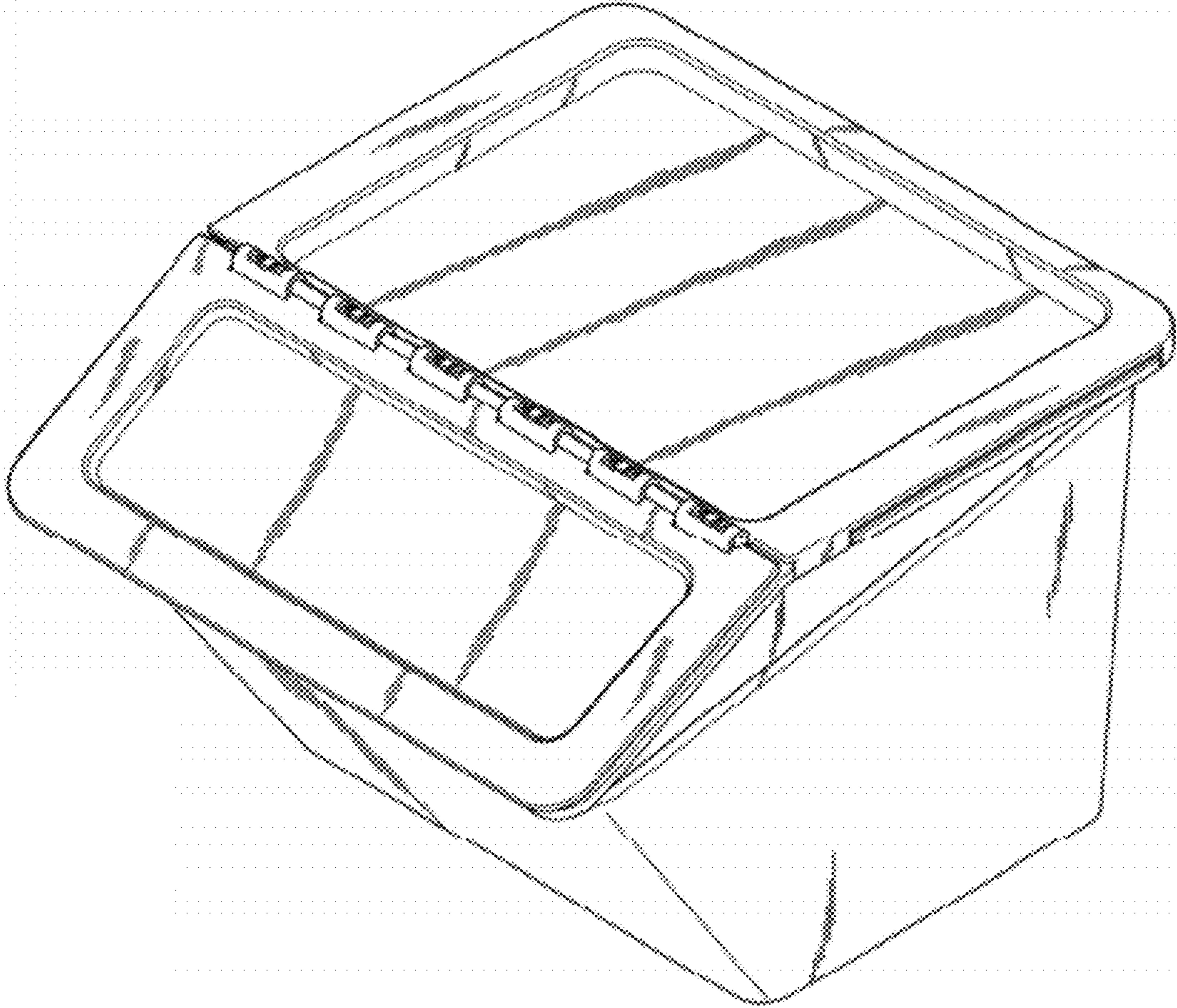


FIG. 1

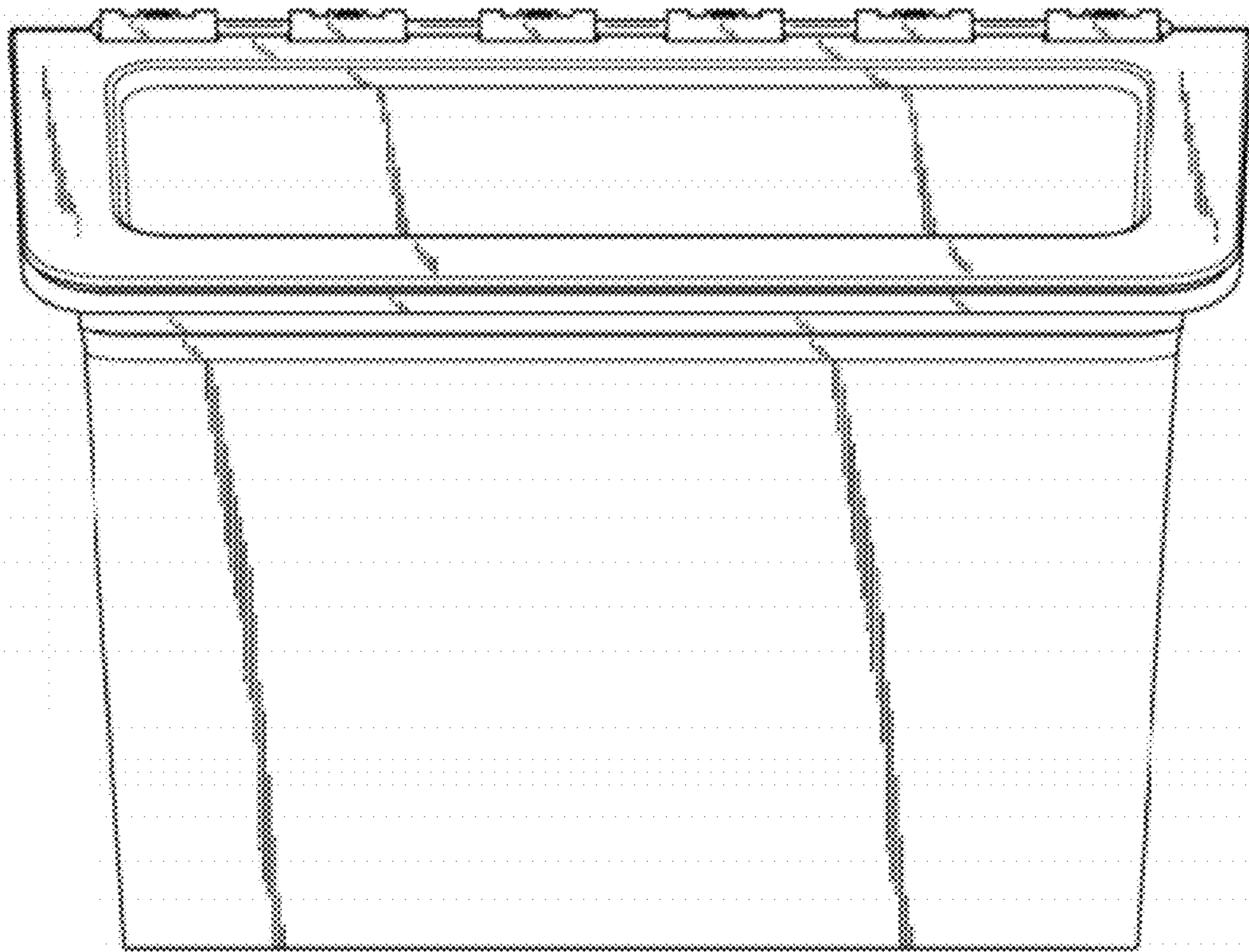


FIG. 2

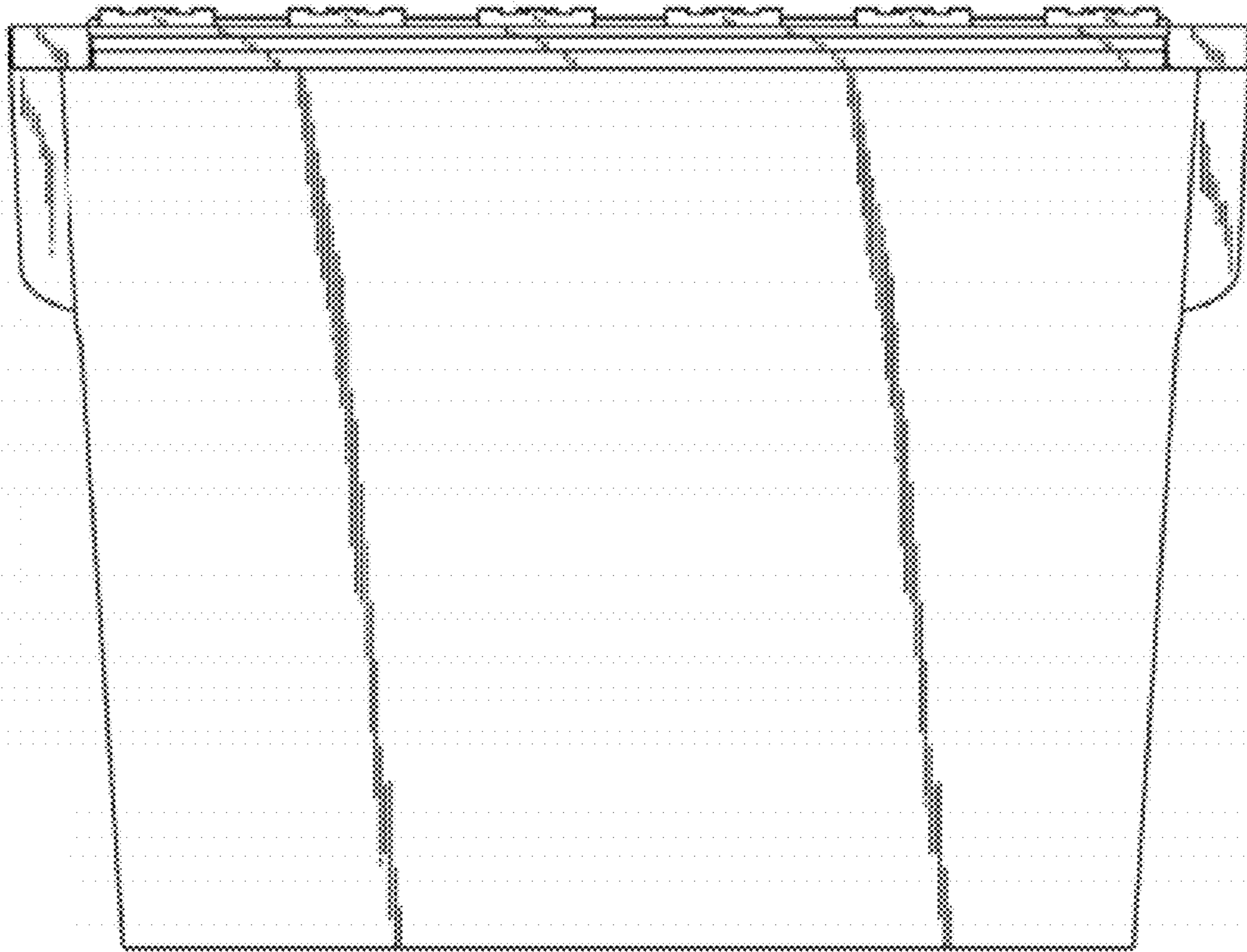


FIG. 3

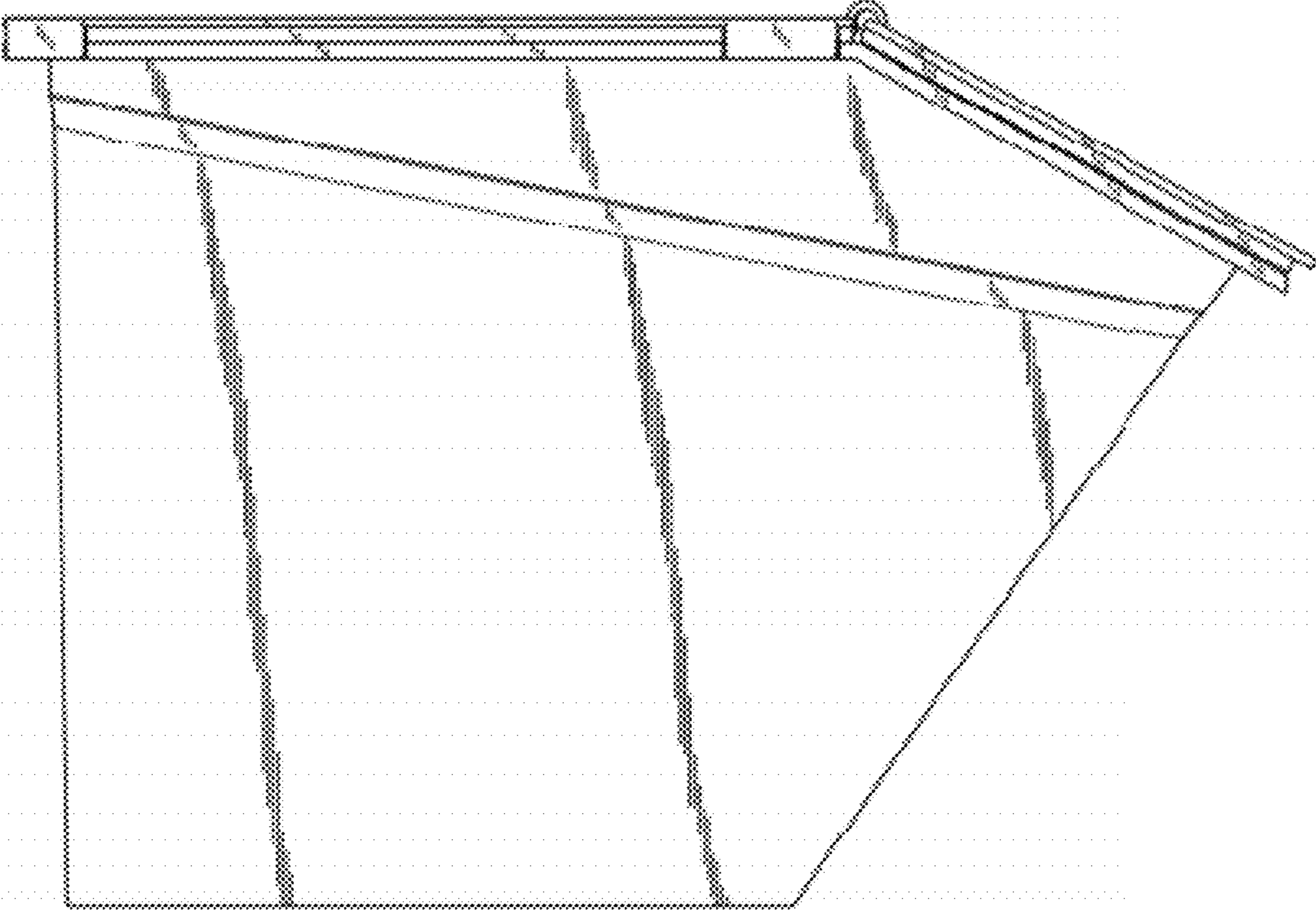


FIG. 4

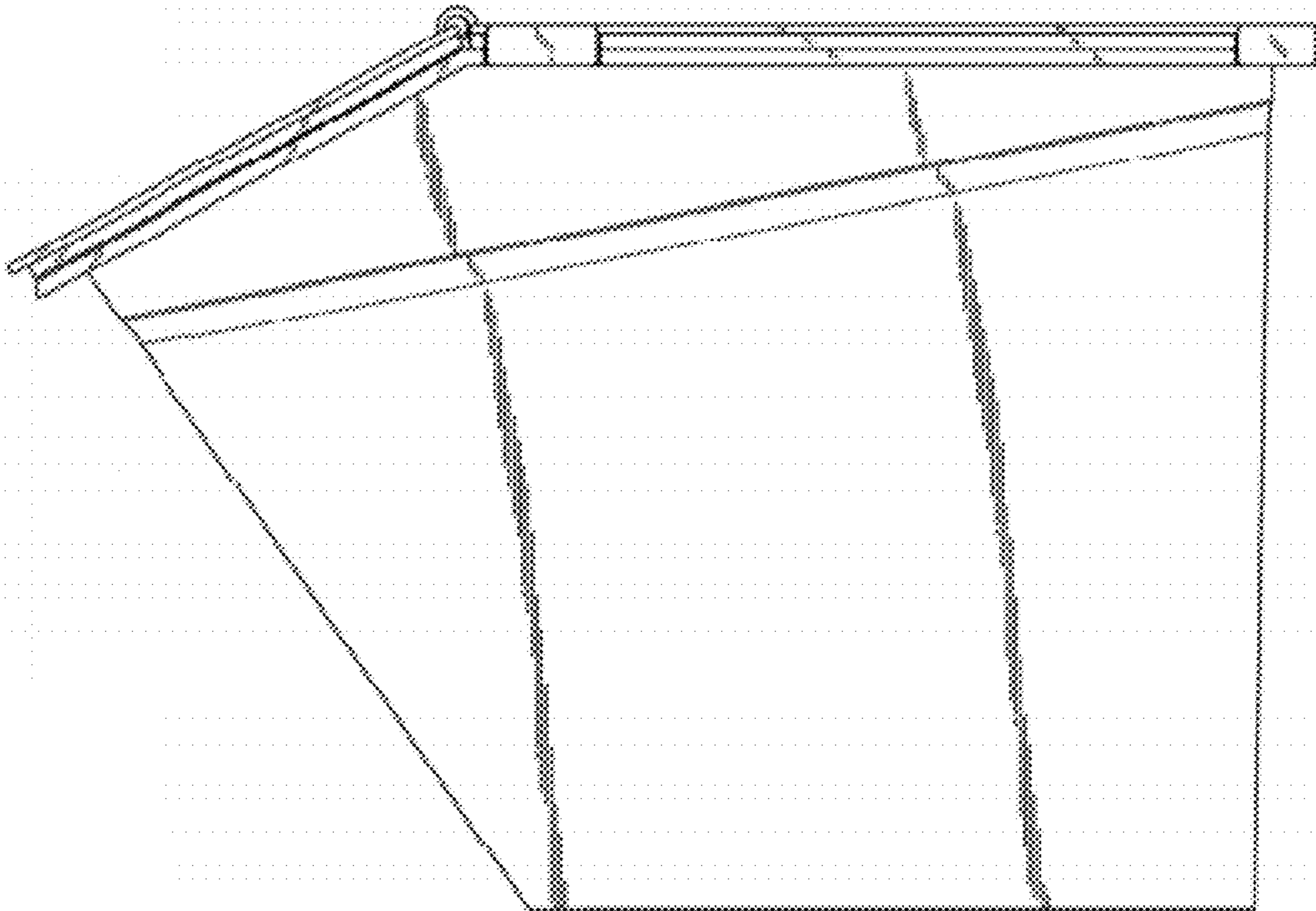


FIG. 5

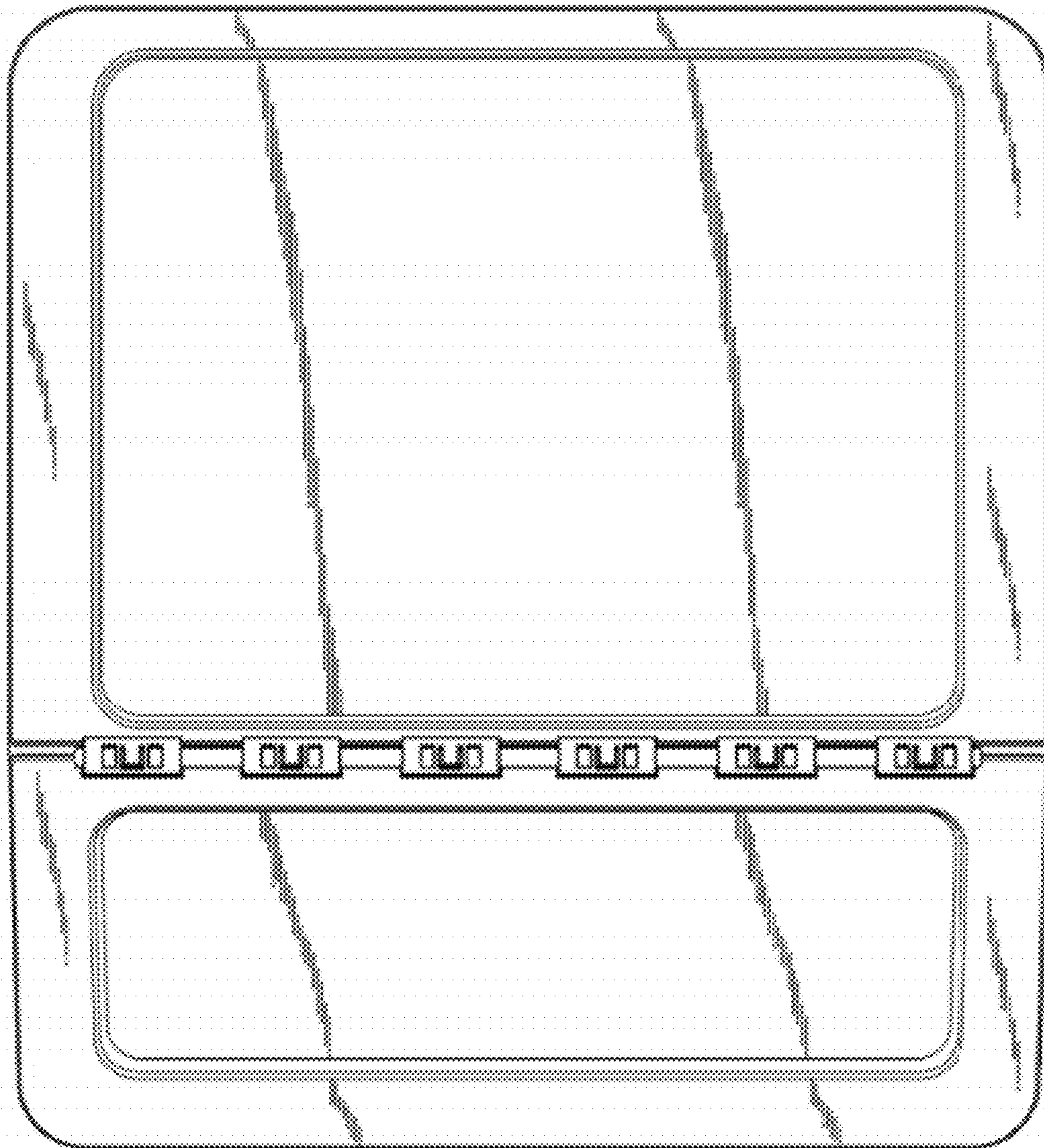


FIG. 6

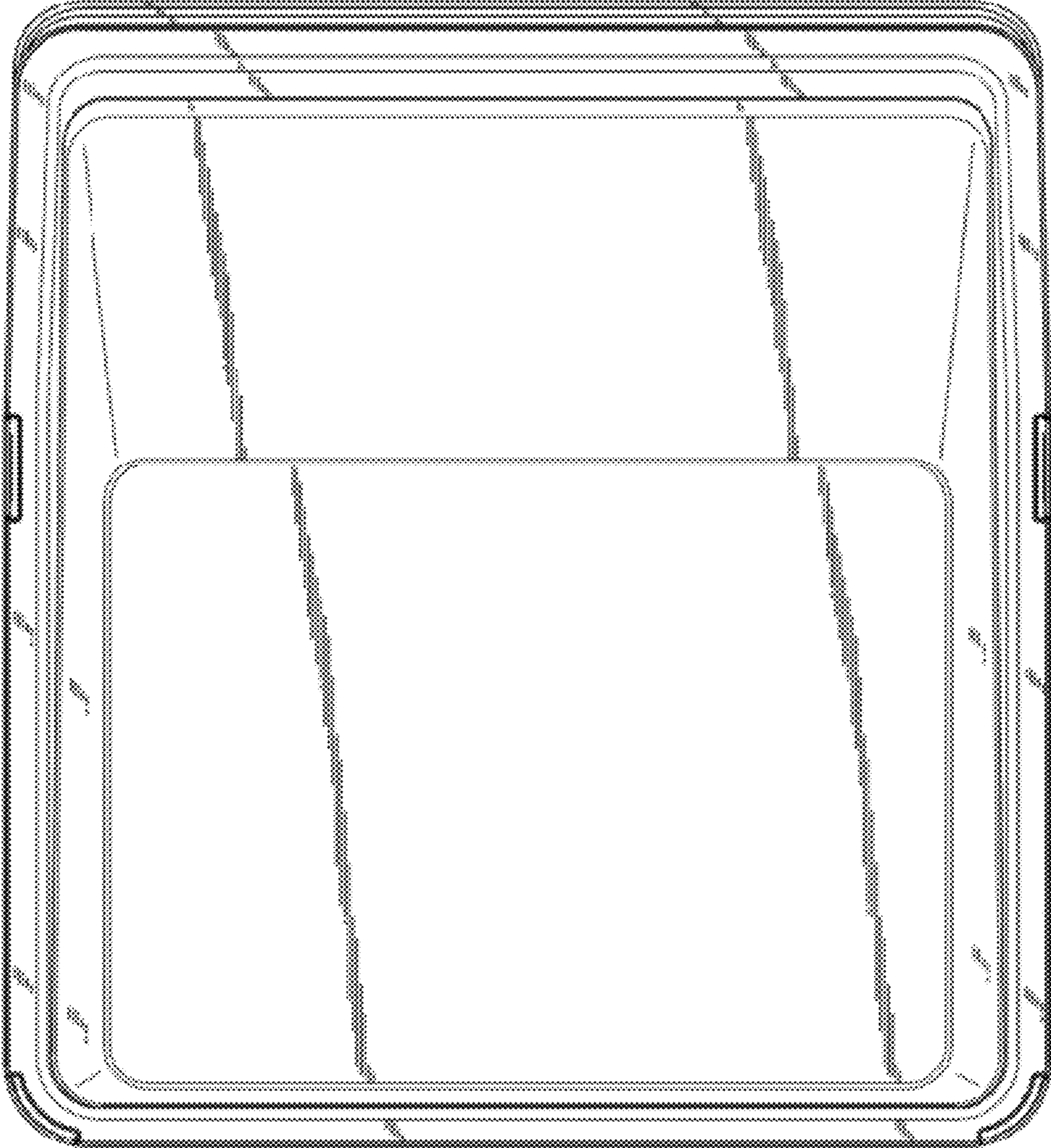


FIG. 7