



US00D676235S

(12) **United States Design Patent**  
**Vidal**

(10) **Patent No.:** **US D676,235 S**  
(45) **Date of Patent:** **\*\* Feb. 19, 2013**

(54) **BAG WITH TWO STRAPS**

(75) Inventor: **Frédéric Vidal**, Meulan Hardricourt (FR)

(73) Assignee: **Hermes Sellier (Societe Par Actions Simplifree)**, Paris (FR)

(\*\*) Term: **14 Years**

(21) Appl. No.: **29/412,529**

(22) Filed: **Feb. 3, 2012**

(30) **Foreign Application Priority Data**

Aug. 5, 2011 (WO) ..... DM/076 548

(51) **LOC (9) Cl.** ..... **03-01**

(52) **U.S. Cl.** ..... **D3/246**

(58) **Field of Classification Search** ..... D3/232-233,  
D3/240-246; 150/100, 103-110, 113-114,  
150/117-119

See application file for complete search history.

(56) **References Cited**

**U.S. PATENT DOCUMENTS**

- D501,598 S \* 2/2005 Guyon ..... D3/246
- D569,610 S \* 5/2008 Wang ..... D3/246
- D572,472 S \* 7/2008 Saconay-Duhart ..... D3/246
- D587,010 S \* 2/2009 Deck ..... D3/246

\* cited by examiner

*Primary Examiner* — Holly Baynham

(74) *Attorney, Agent, or Firm* — Foley & Lardner, LLP

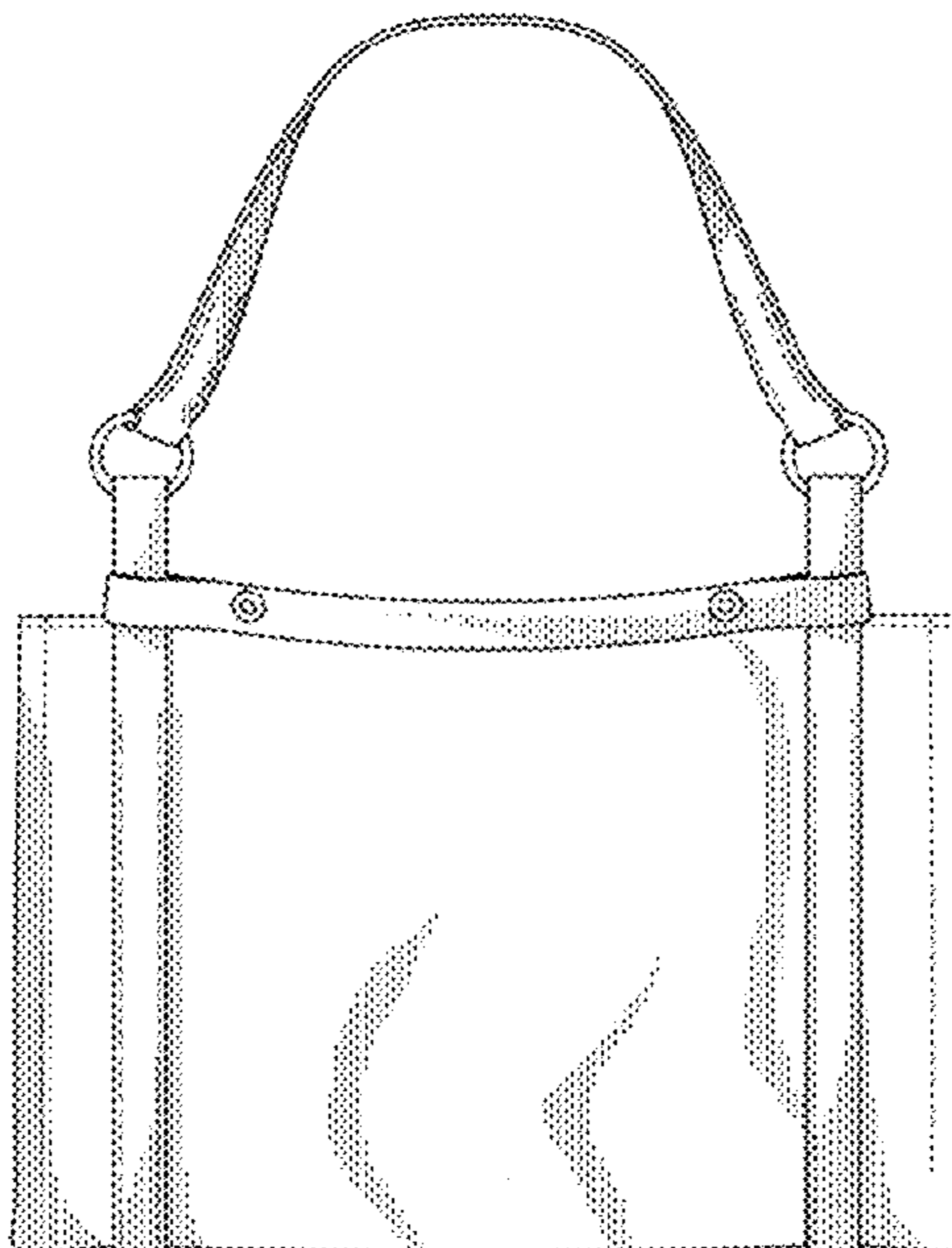
(57) **CLAIM**

The ornamental design for a bag with two straps, as shown and described.

**DESCRIPTION**

FIG. 1 is a front view of a bag with two straps of the claimed design, shown with the longer strap in an upright position; FIG. 2 is a rear view of the bag with two straps shown in FIG. 1; FIG. 3 is a left side view of the bag with two straps shown in FIG. 1; FIG. 4 is a right side view of the bag with two straps shown in FIG. 1; FIG. 5 is a top view of the bag with two straps shown in FIG. 1; FIG. 6 is a bottom view of the bag with two straps shown in FIG. 1; FIG. 7 is a front perspective view of the bag with two straps shown in FIG. 1; FIG. 8 is a front perspective view of the bag with two straps of the claimed design, shown with the shorter strap in an upright position; FIG. 9 is a rear view of the bag with two straps shown in FIG. 8; FIG. 10 is a left side view of the bag with two straps shown in FIG. 8; FIG. 11 is a right side view of the bag with two straps shown in FIG. 8; FIG. 12 is a top view of the bag with two straps shown in FIG. 8; FIG. 13 is a bottom view of the bag with two straps shown in FIG. 8; and, FIG. 14 is a front perspective view of the bag with two straps shown in FIG. 8.

**1 Claim, 12 Drawing Sheets**



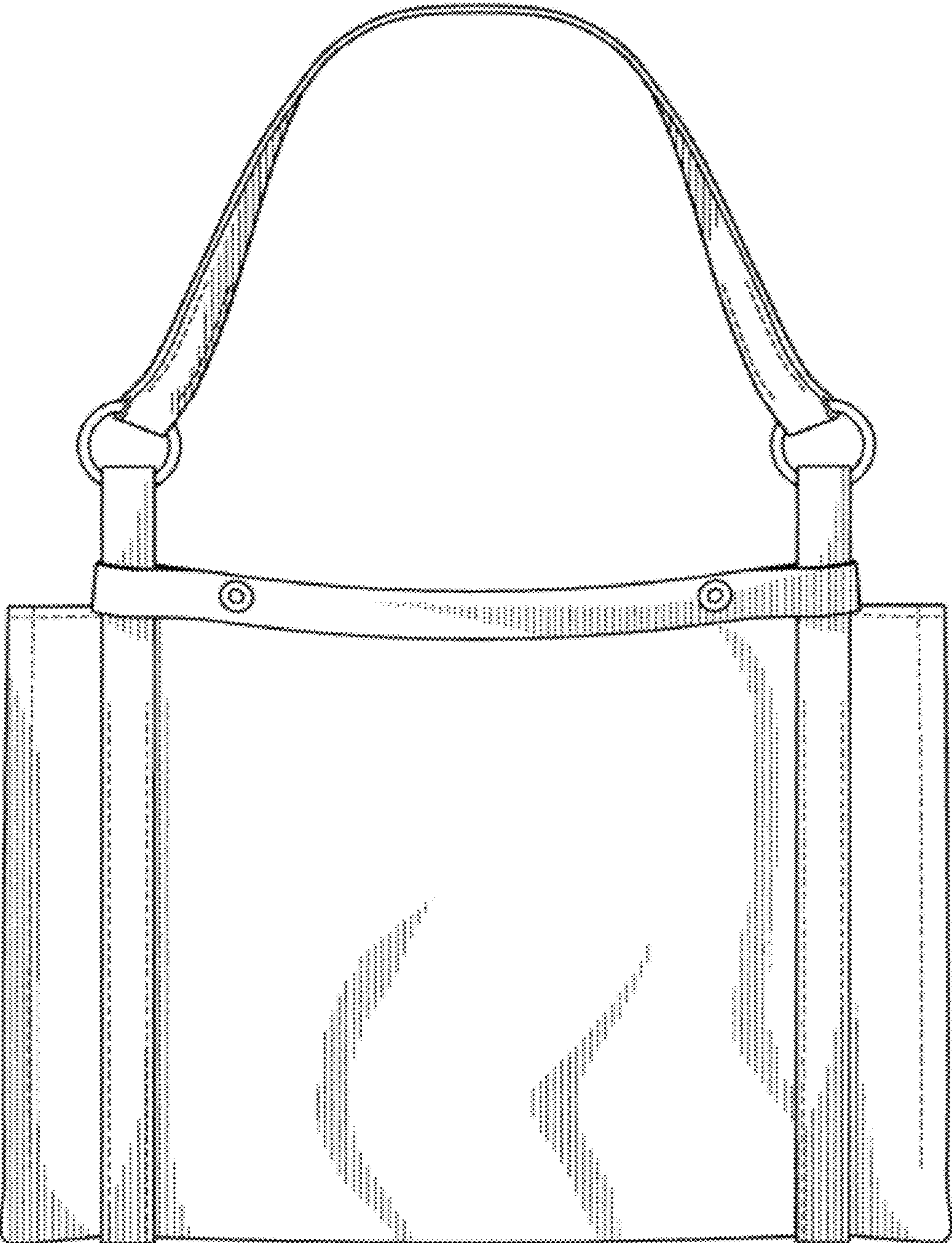


FIG. 1

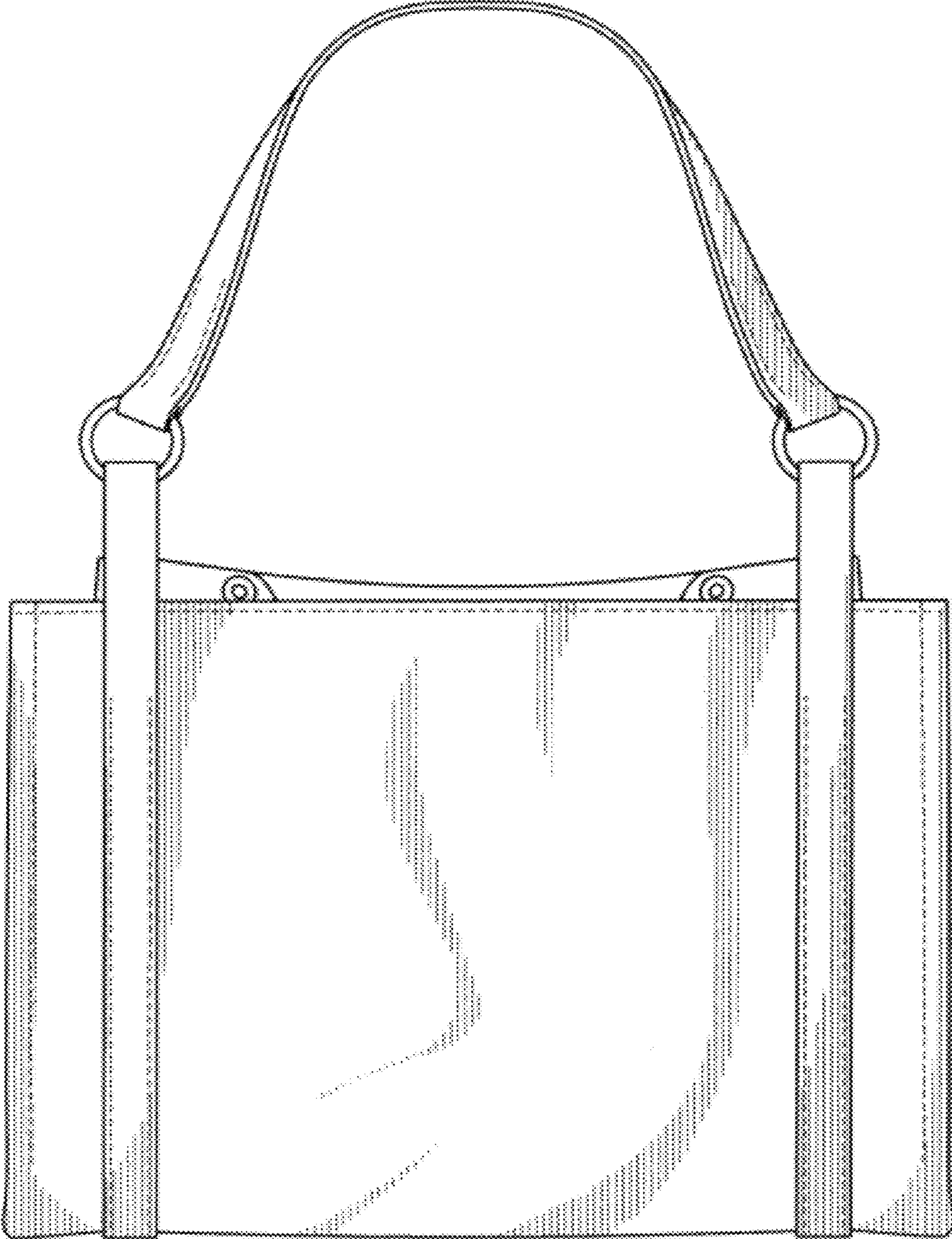


FIG. 2

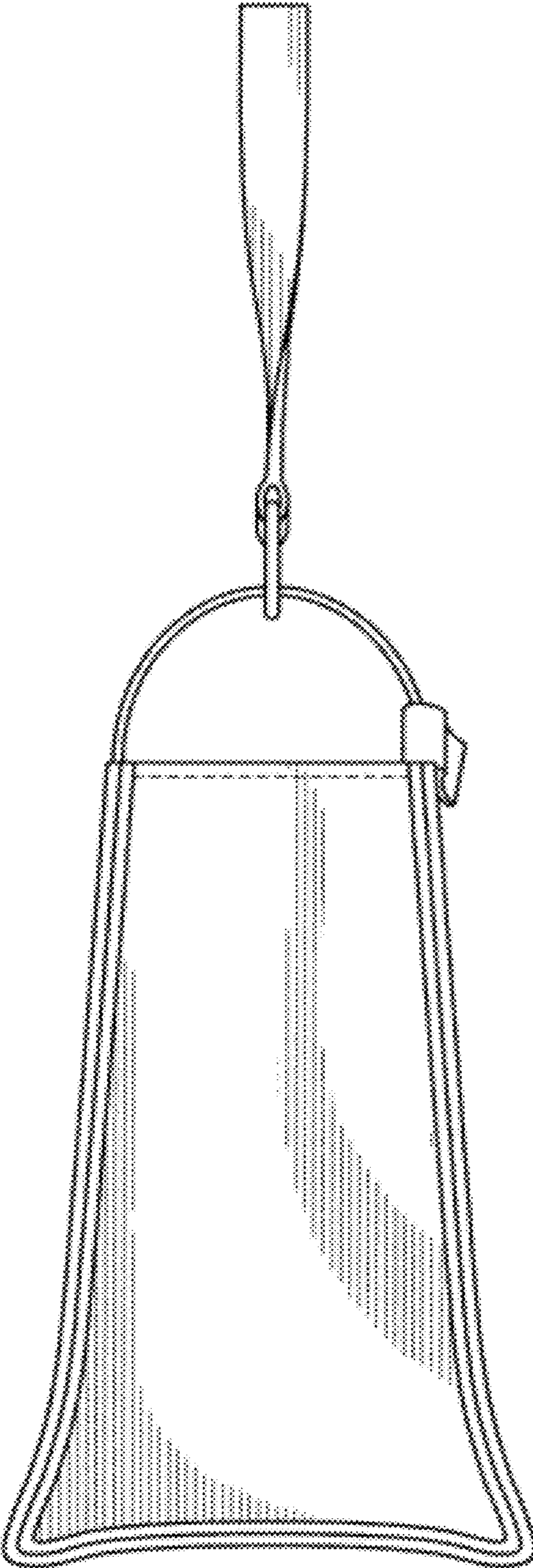


FIG.3

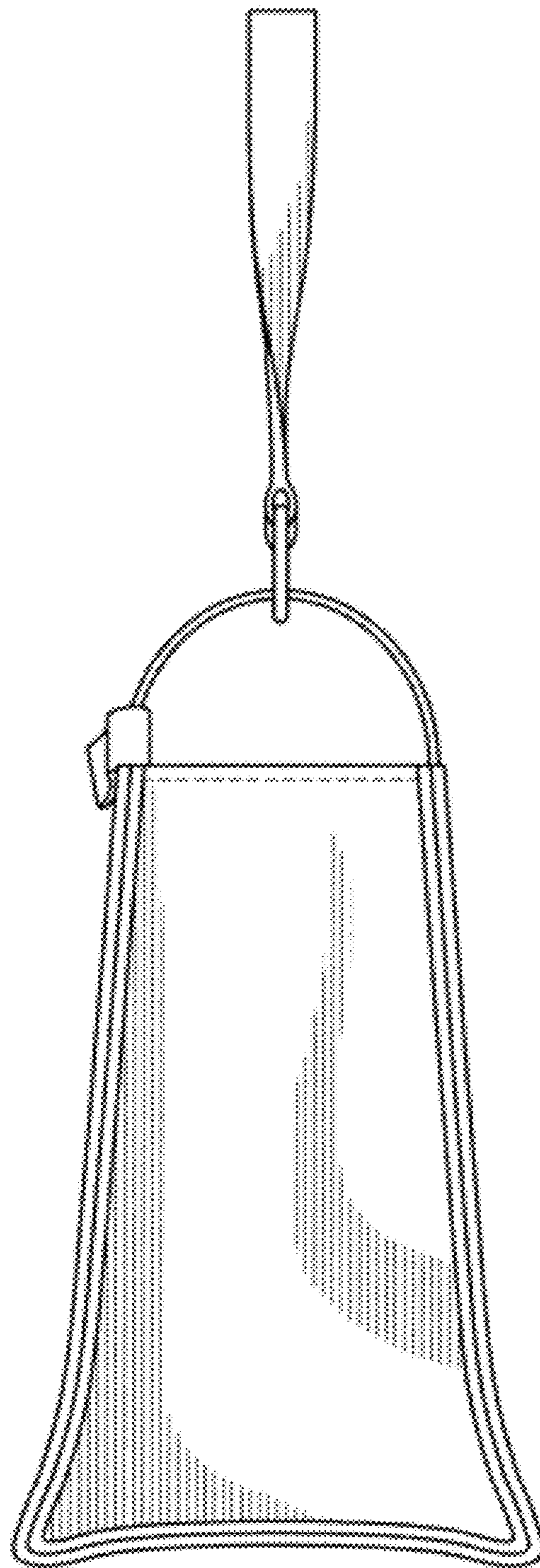


FIG. 4

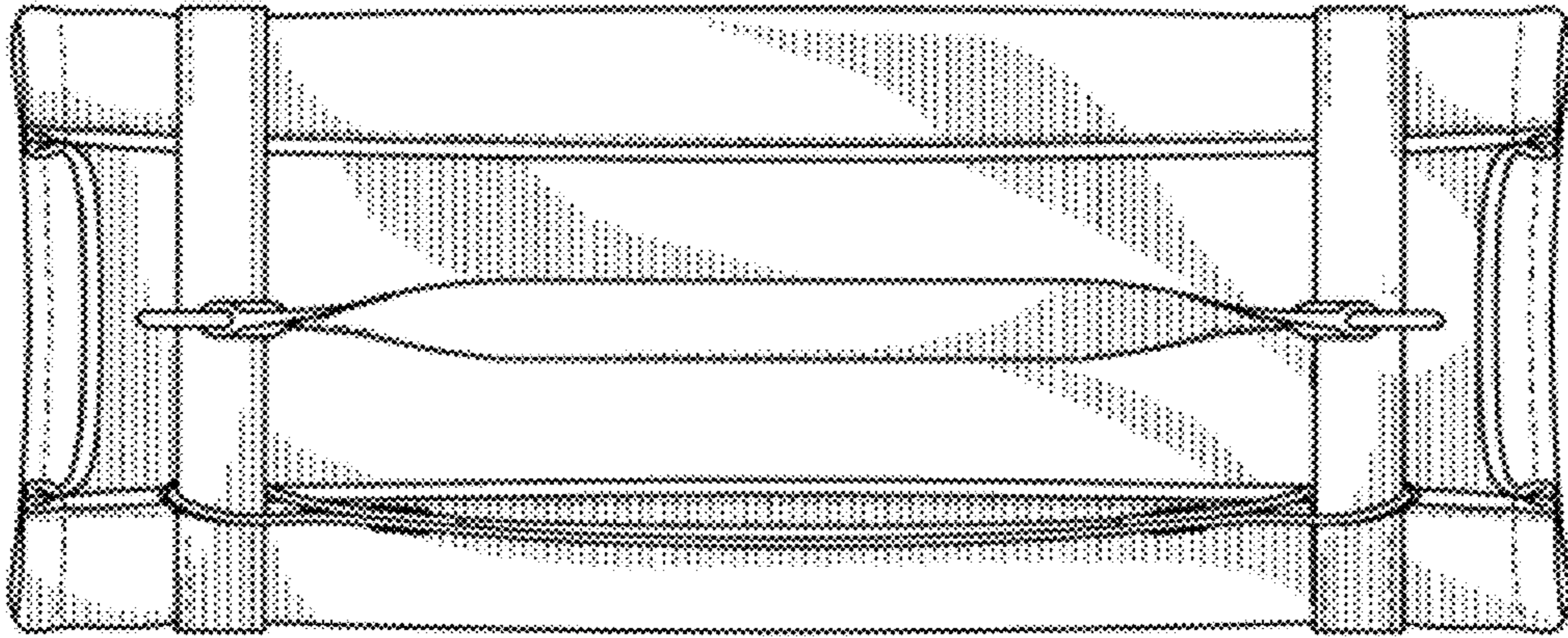


FIG. 5

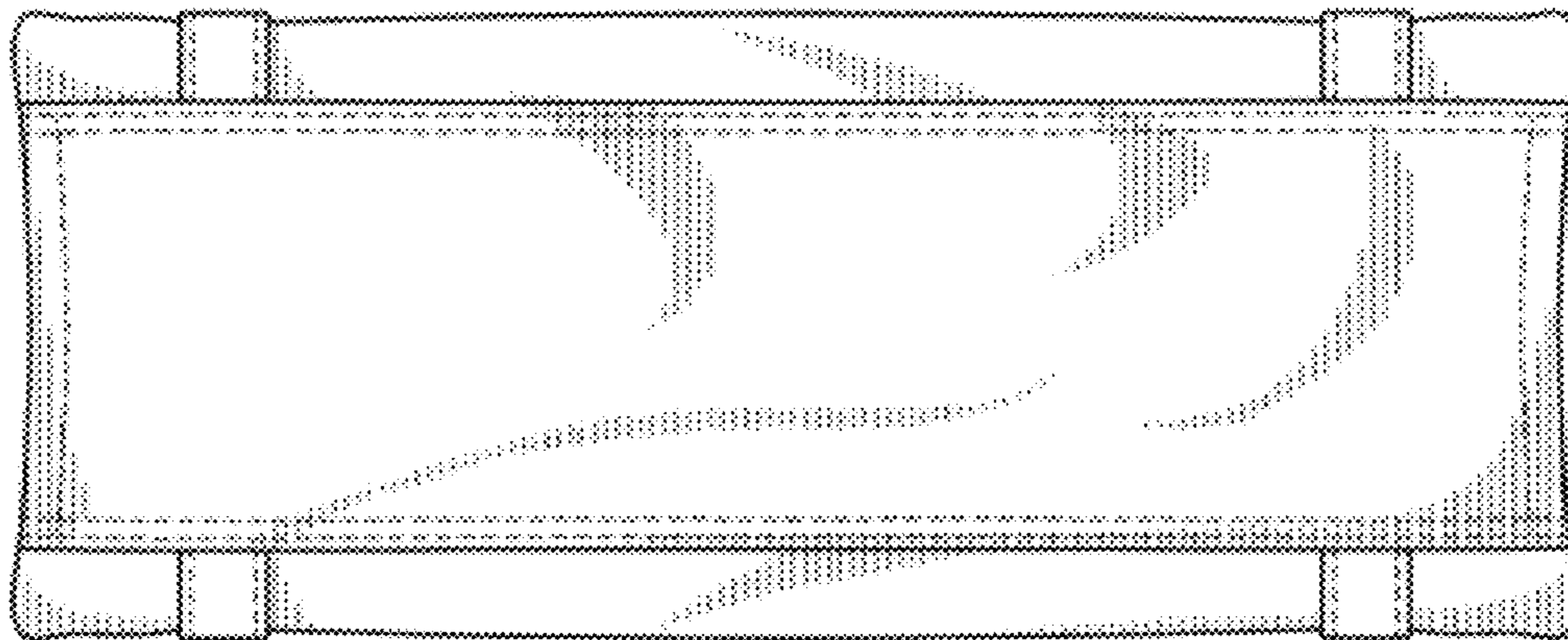


FIG. 6

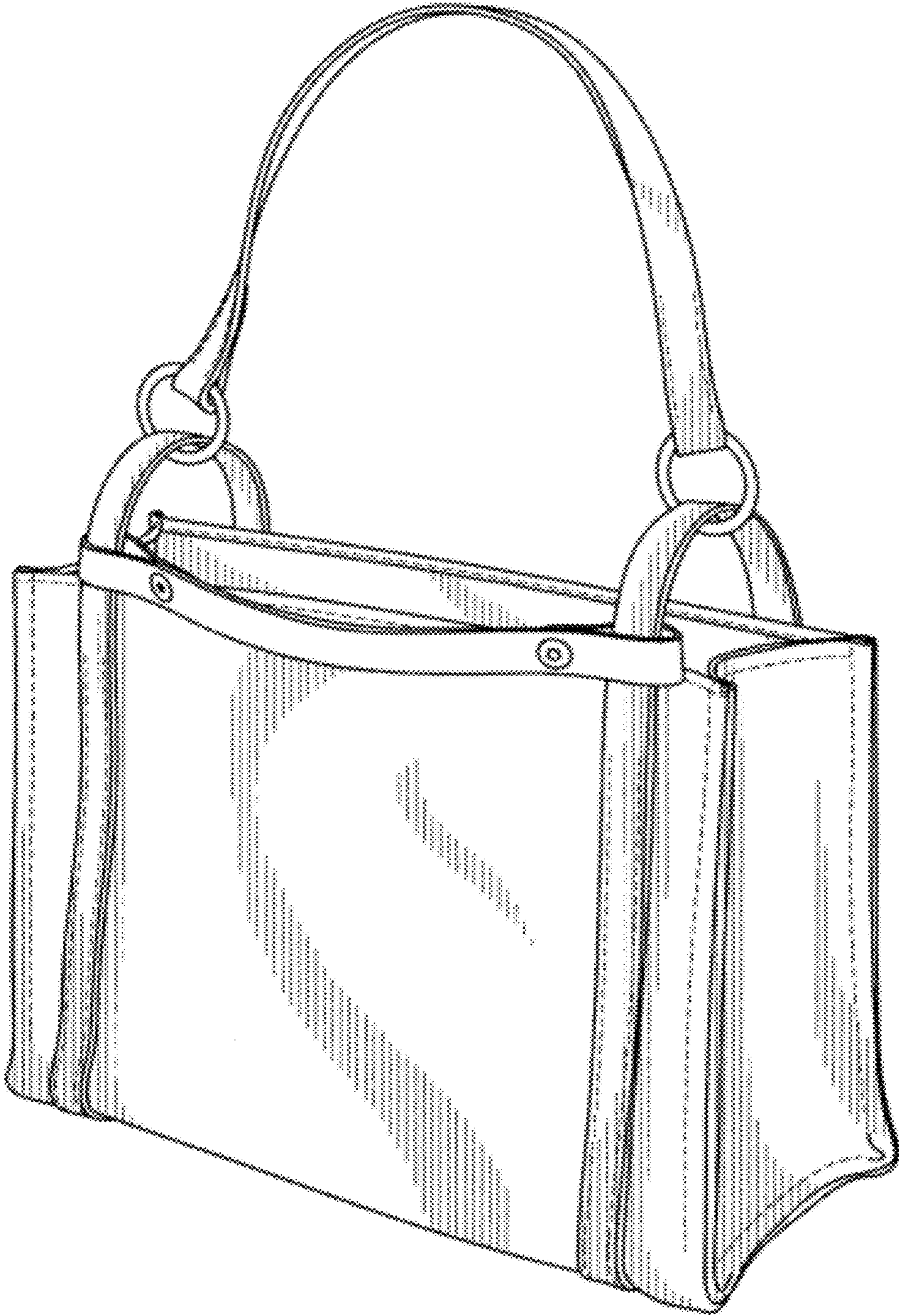


FIG. 7

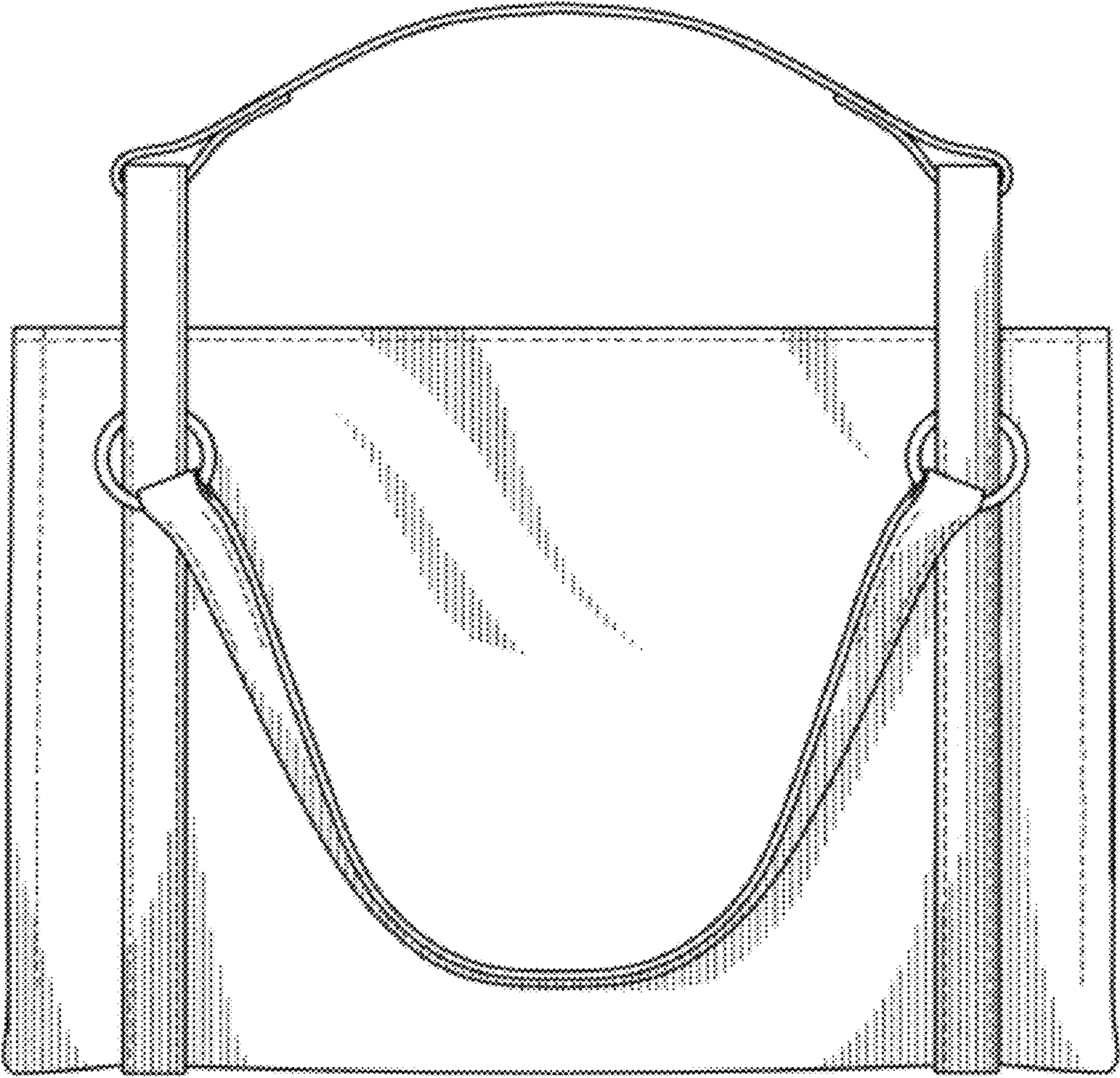


FIG. 8



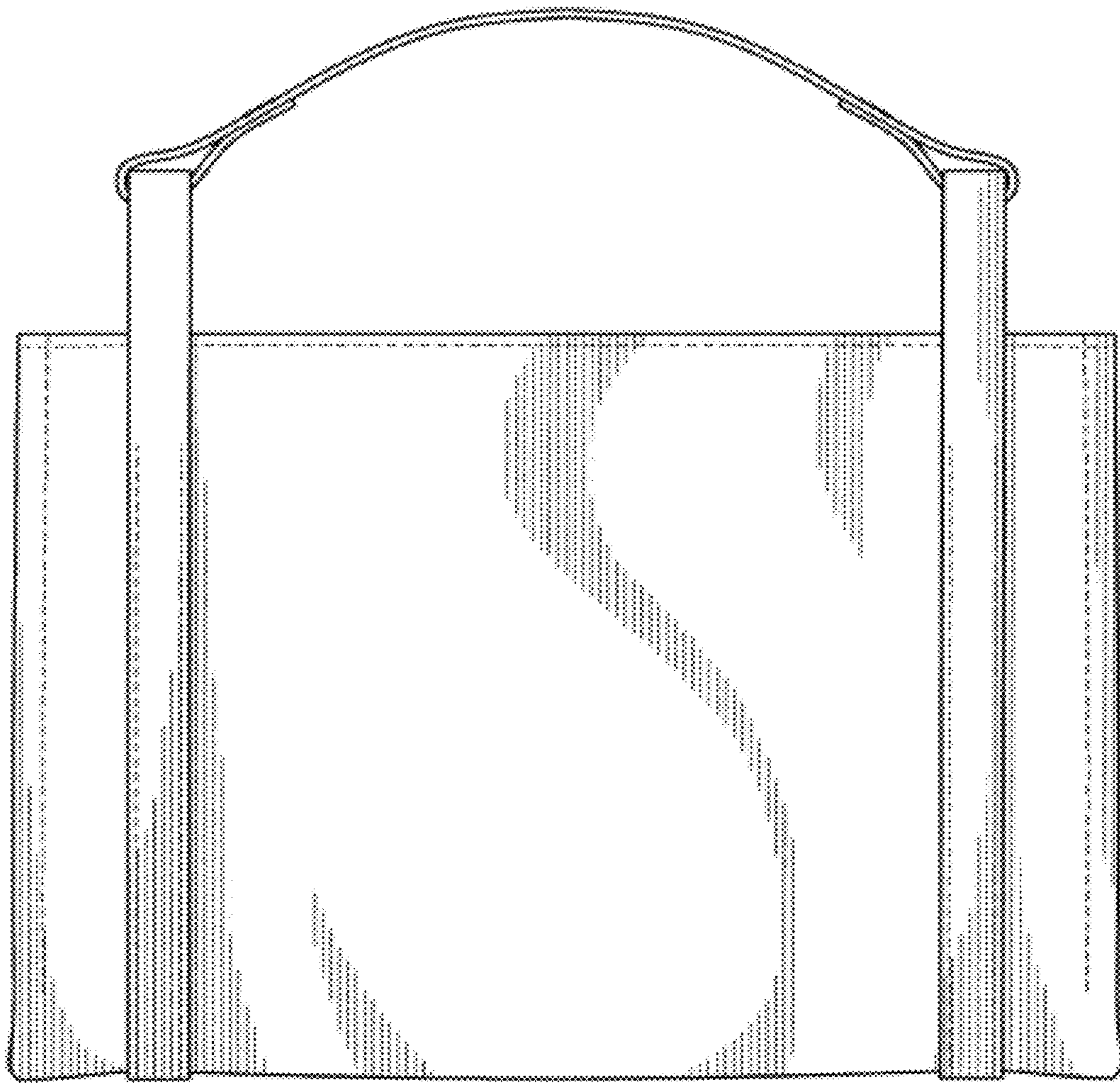


FIG.9

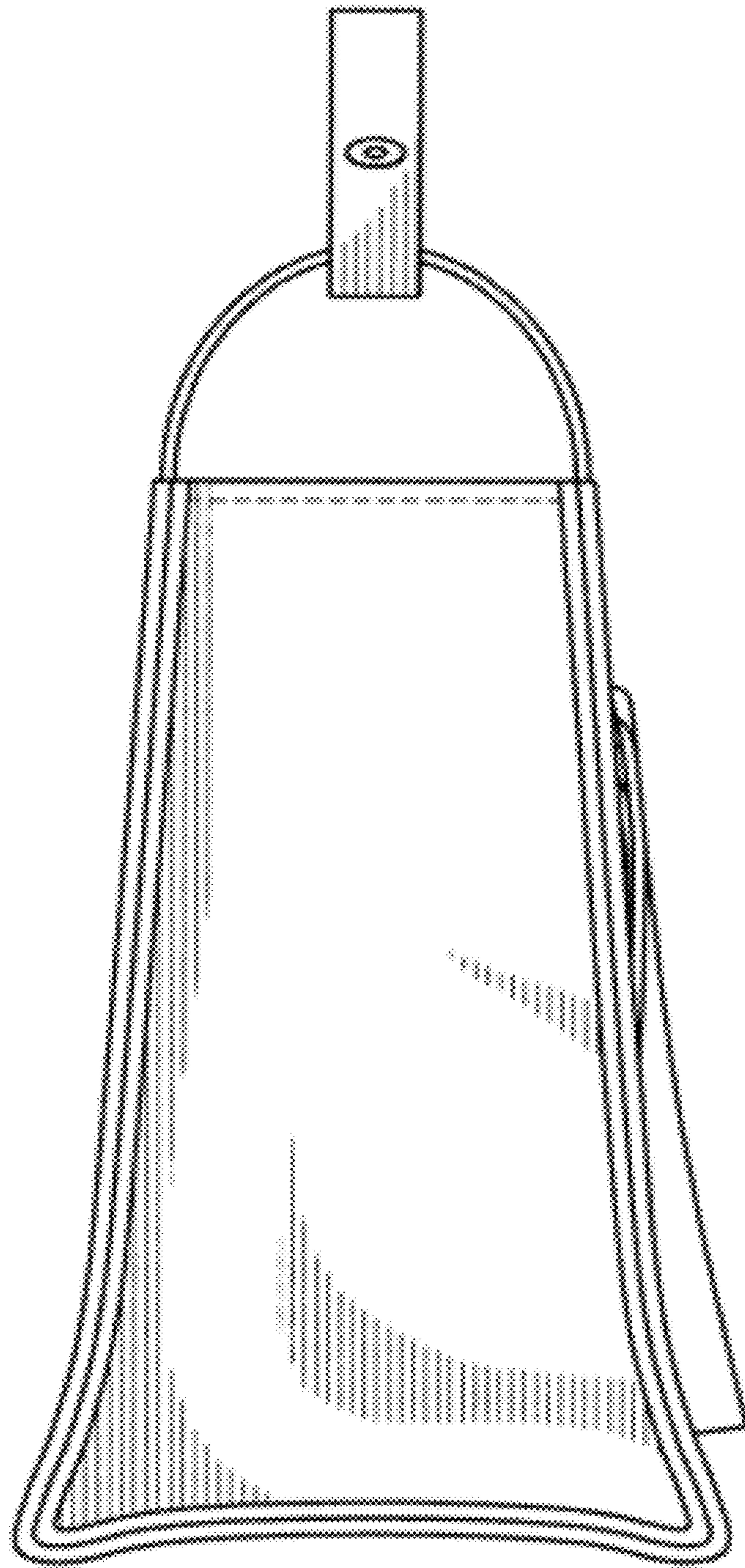


FIG. 10

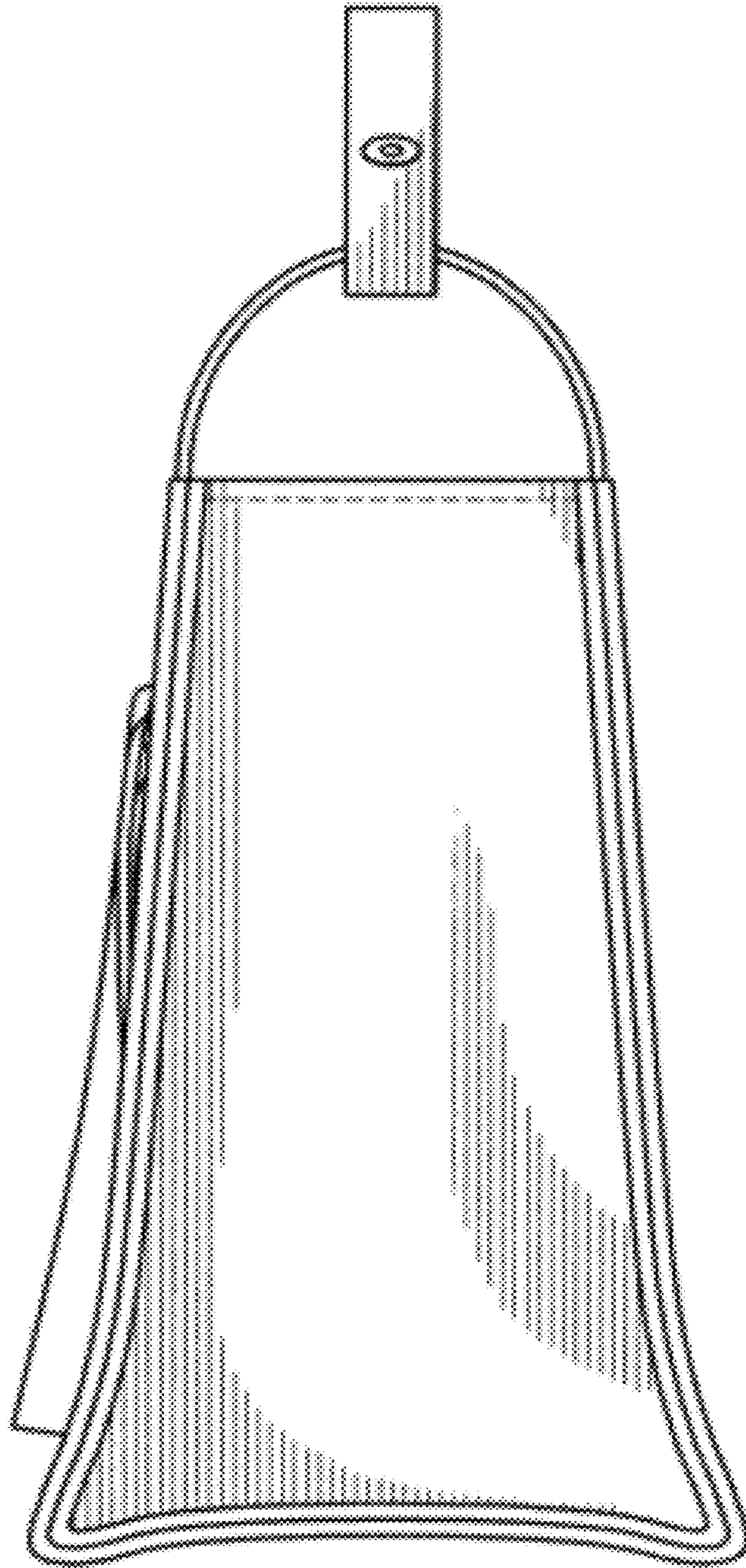


FIG. 11

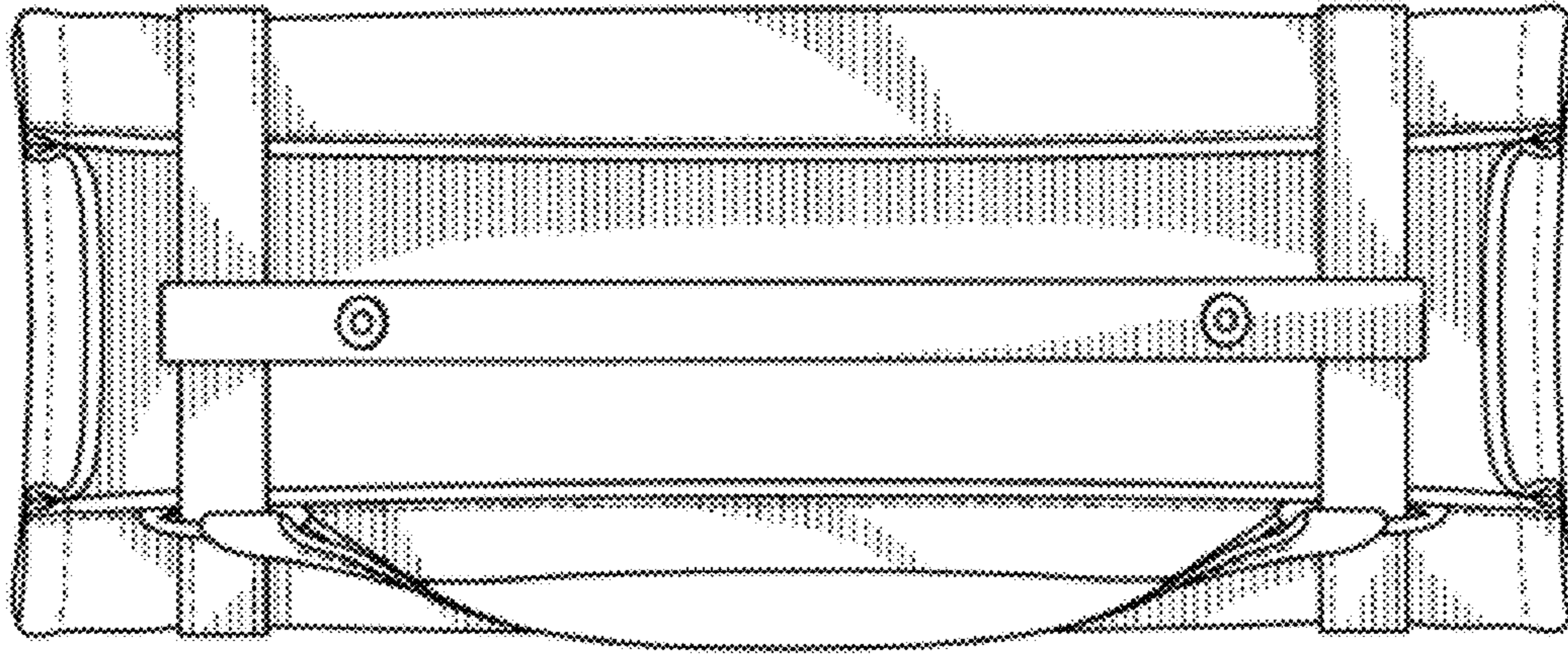


FIG. 12

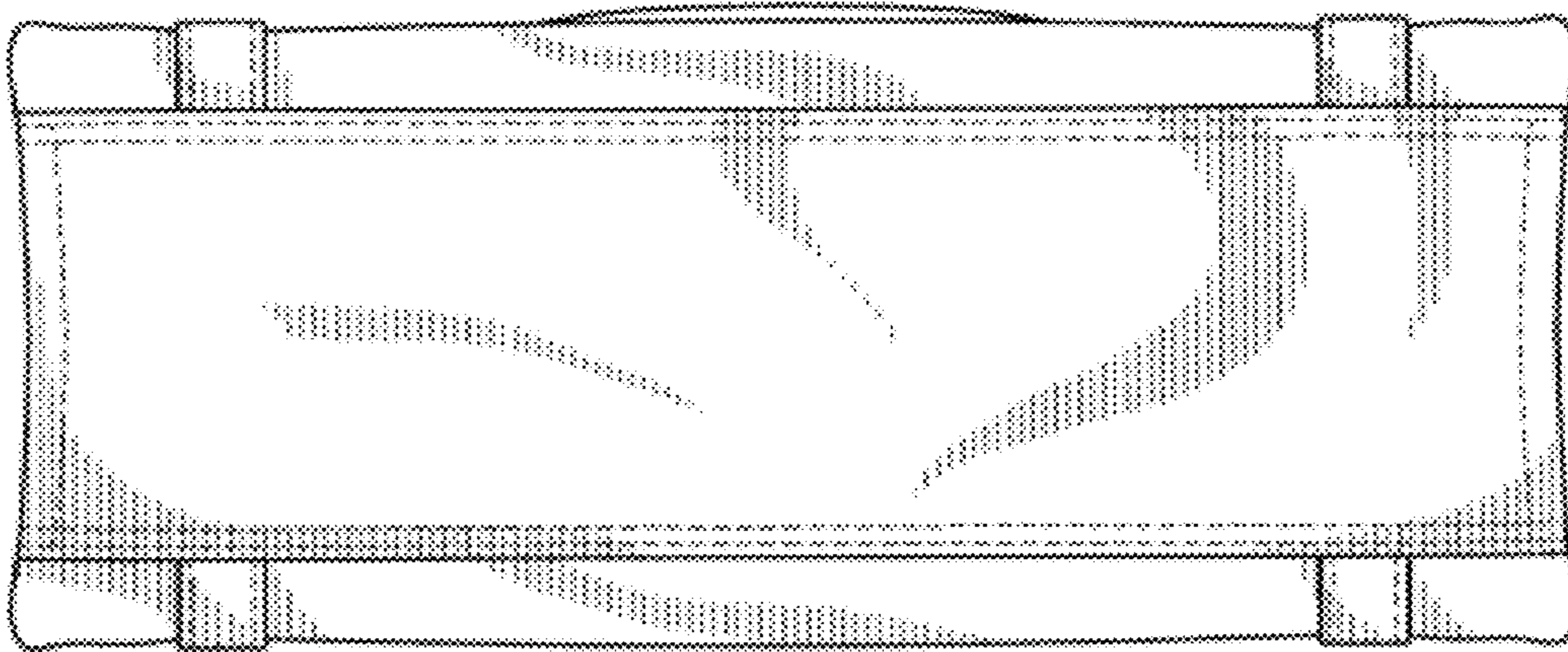


FIG. 13

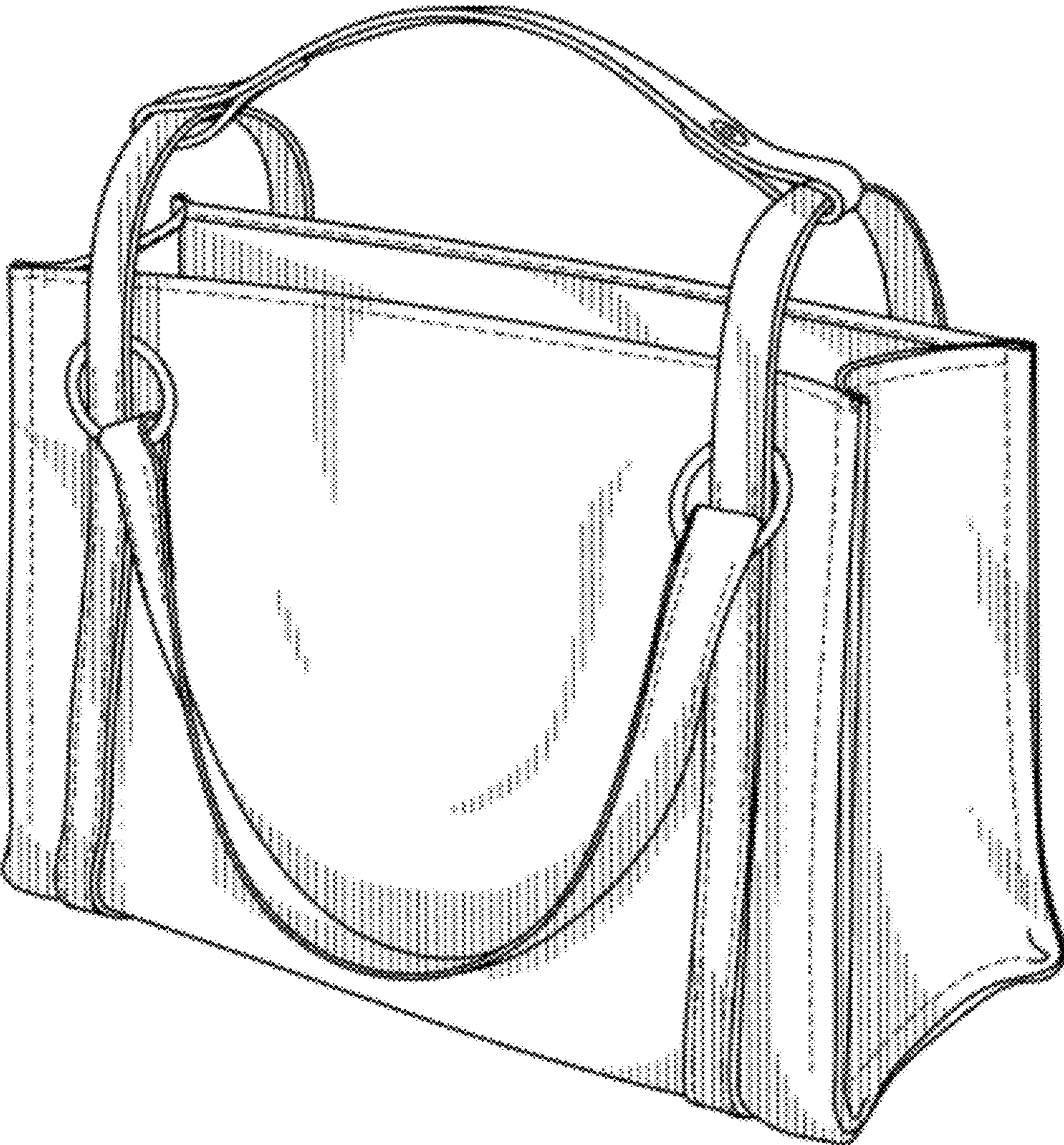


FIG. 14