



US00D676234S

(12) **United States Design Patent**
Moreau et al.

(10) **Patent No.:** **US D676,234 S**

(45) **Date of Patent:** **** Feb. 19, 2013**

(54) **POUCH FOR TAPE MEASURE AND TOOLS**

(76) Inventors: **Darrell A. Moreau**, Manchester, NH (US); **Andre W. Moresu**, Spring Hill, FL (US)

(**) Term: **14 Years**

(21) Appl. No.: **29/428,773**

(22) Filed: **Aug. 3, 2012**

(51) **LOC (9) Cl.** **03-01**

(52) **U.S. Cl.** **D3/228**

(58) **Field of Classification Search** D3/228,
D3/224, 226, 215, 221, 263, 267; 224/232,
224/240, 660, 668, 676-678, 576-577, 682;
206/372-376

See application file for complete search history.

(56) **References Cited**

U.S. PATENT DOCUMENTS

D437,999 S *	2/2001	Williamson	D3/228
D531,401 S *	11/2006	Thurner	D3/228
D588,800 S *	3/2009	Cicione	D3/228

* cited by examiner

Primary Examiner — Catheri Oliver-Garcia

(74) *Attorney, Agent, or Firm* — Robert R. Deleault, Esq.;
Mesmer & Deleault, PLLC

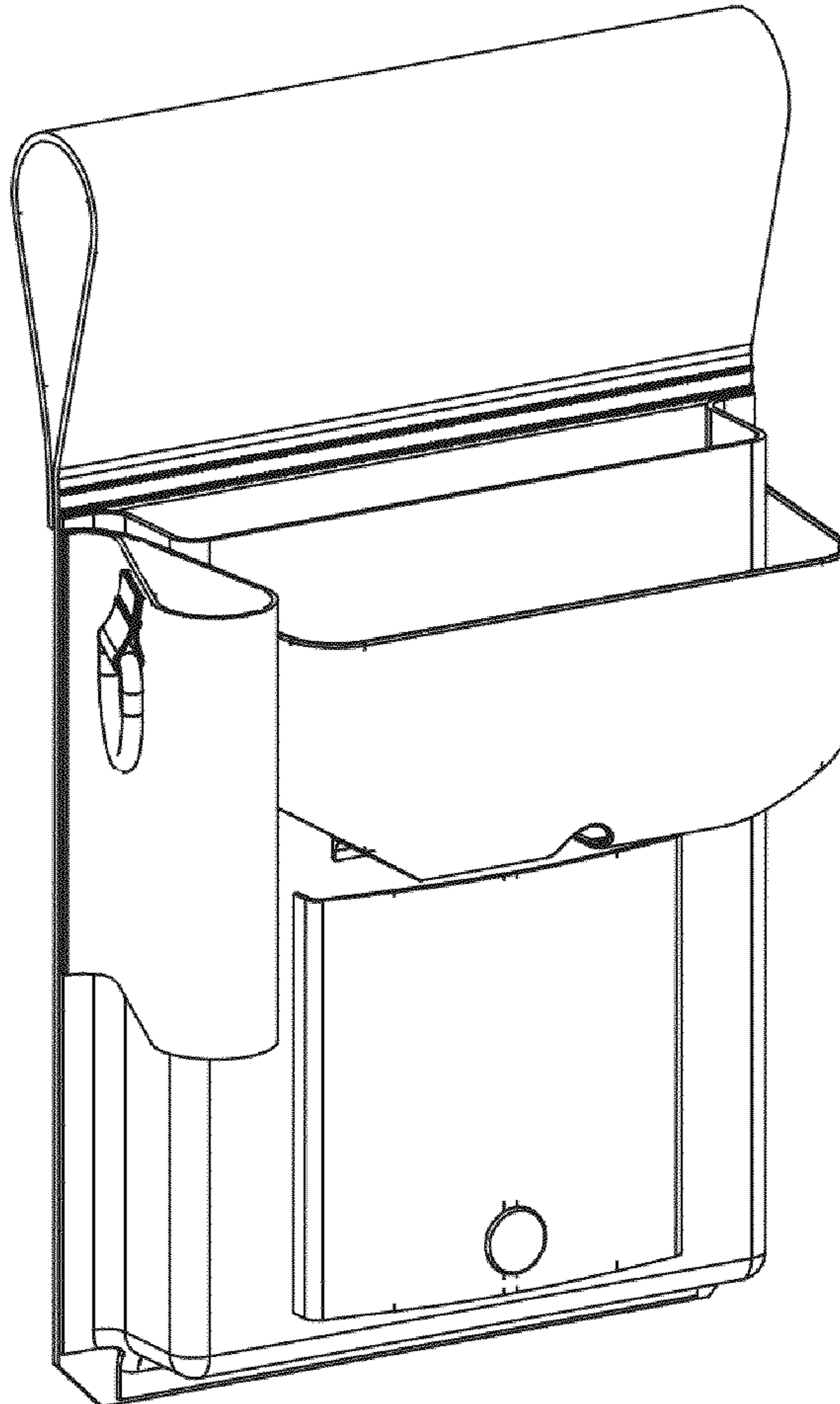
(57) **CLAIM**

We claim the ornamental design for pouch for tape measure and tools, as shown and described.

DESCRIPTION

FIG. 1 is a front, right perspective view of a pouch for tape measure and tools showing our new design.
FIG. 2 is a front, left perspective view thereof.
FIG. 3 is a right side plan view thereof.
FIG. 4 is a left side plan view thereof.
FIG. 5 is a front elevation view thereof.
FIG. 6 is a rear elevation view thereof.
FIG. 7 is a top plan view thereof.
FIG. 8 is a bottom plan view thereof.
FIG. 9 is a rear, left perspective view thereof; and,
FIG. 10 is a rear, right perspective view thereof.

1 Claim, 3 Drawing Sheets



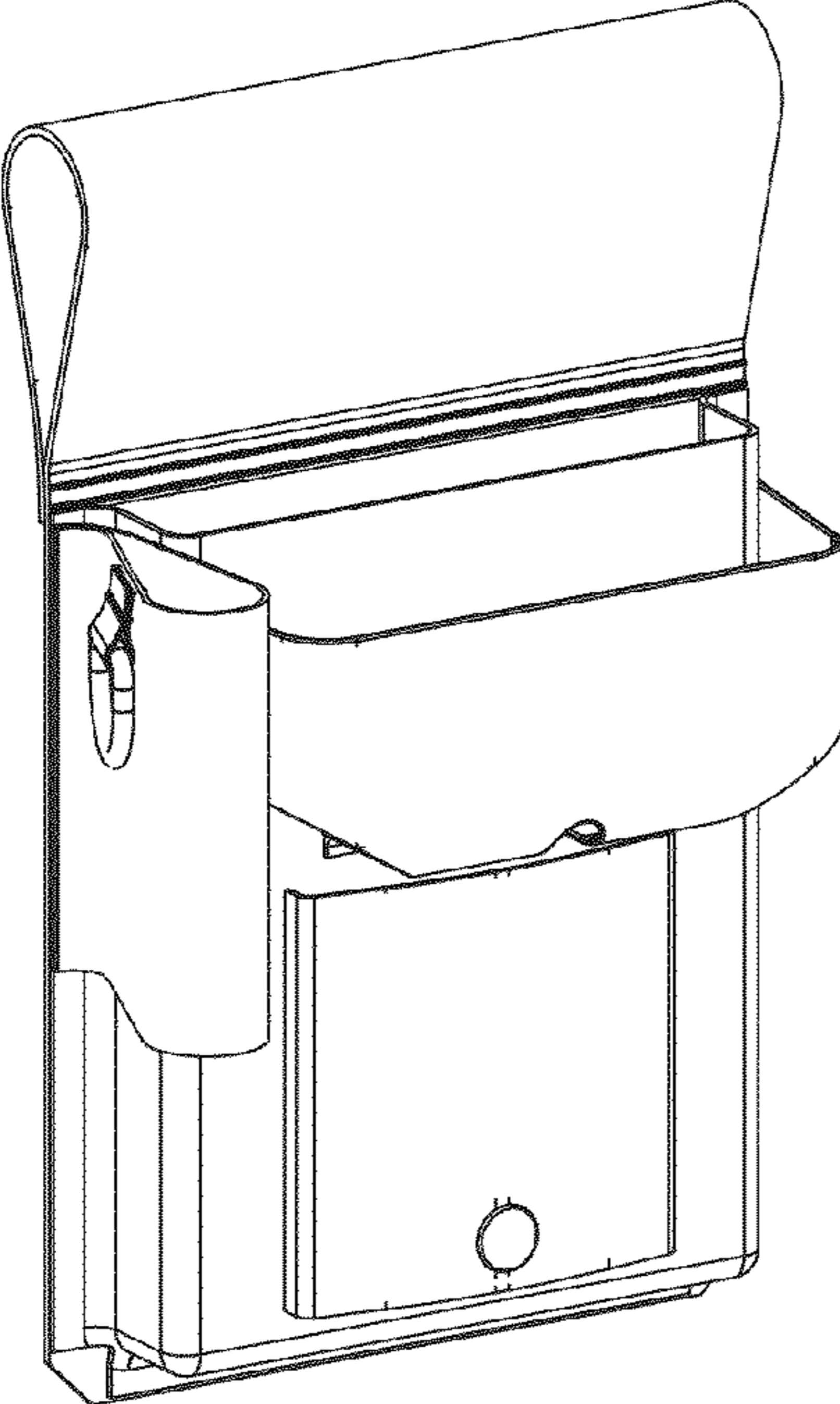


Fig. 1

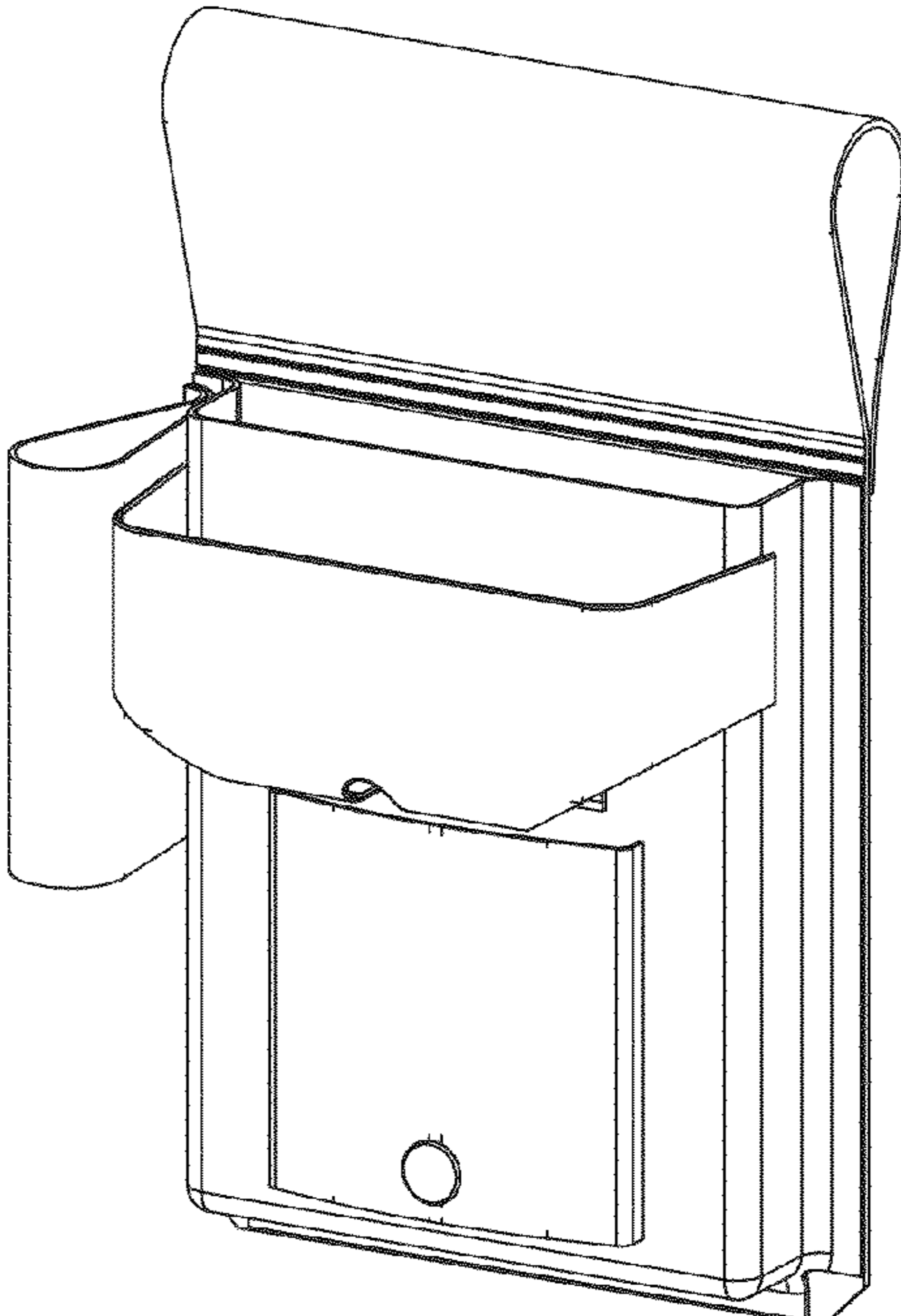


Fig. 2

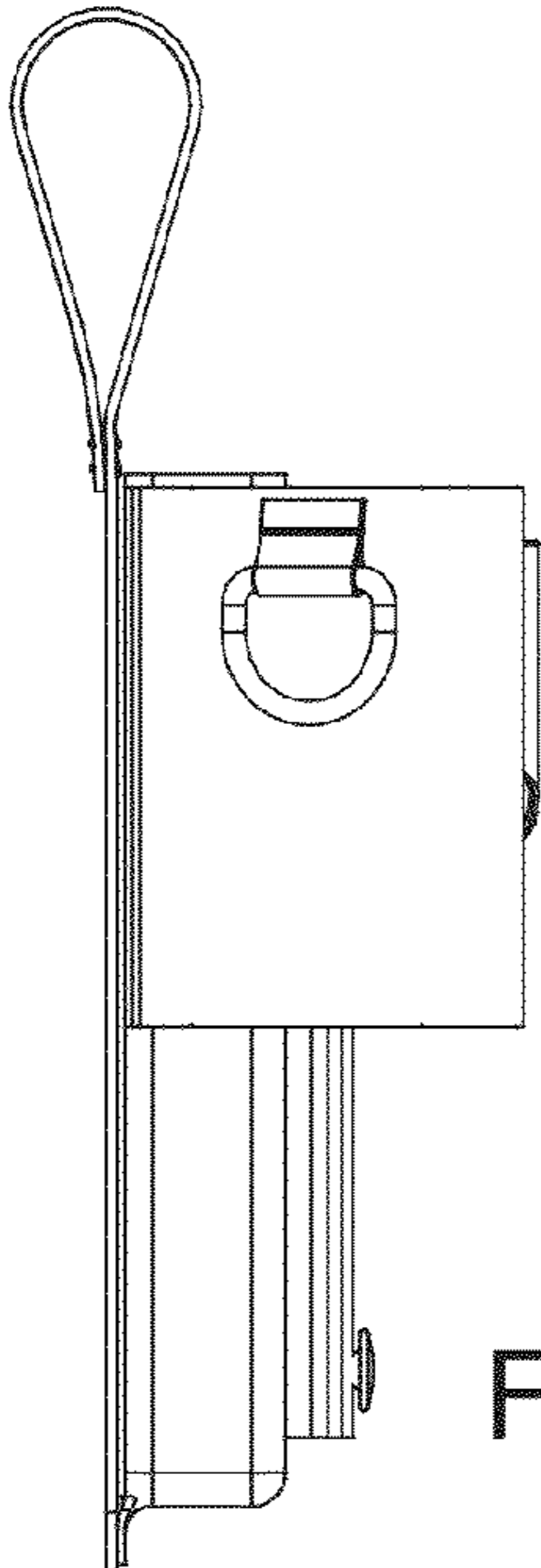


Fig. 3

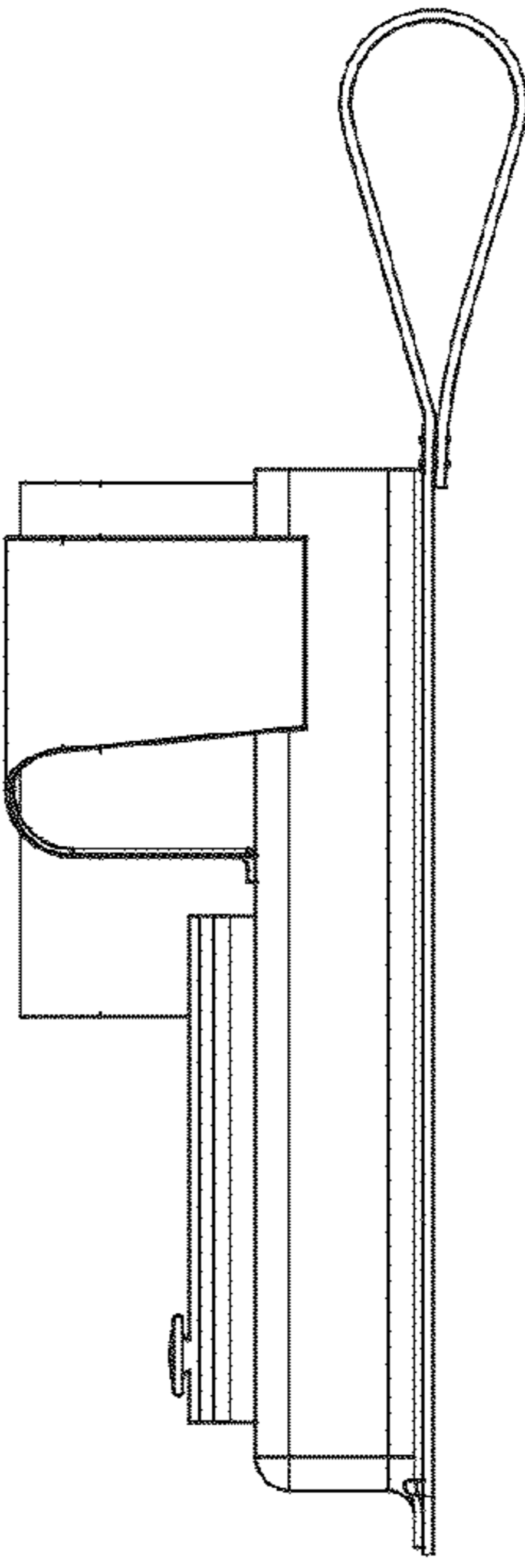


Fig. 4

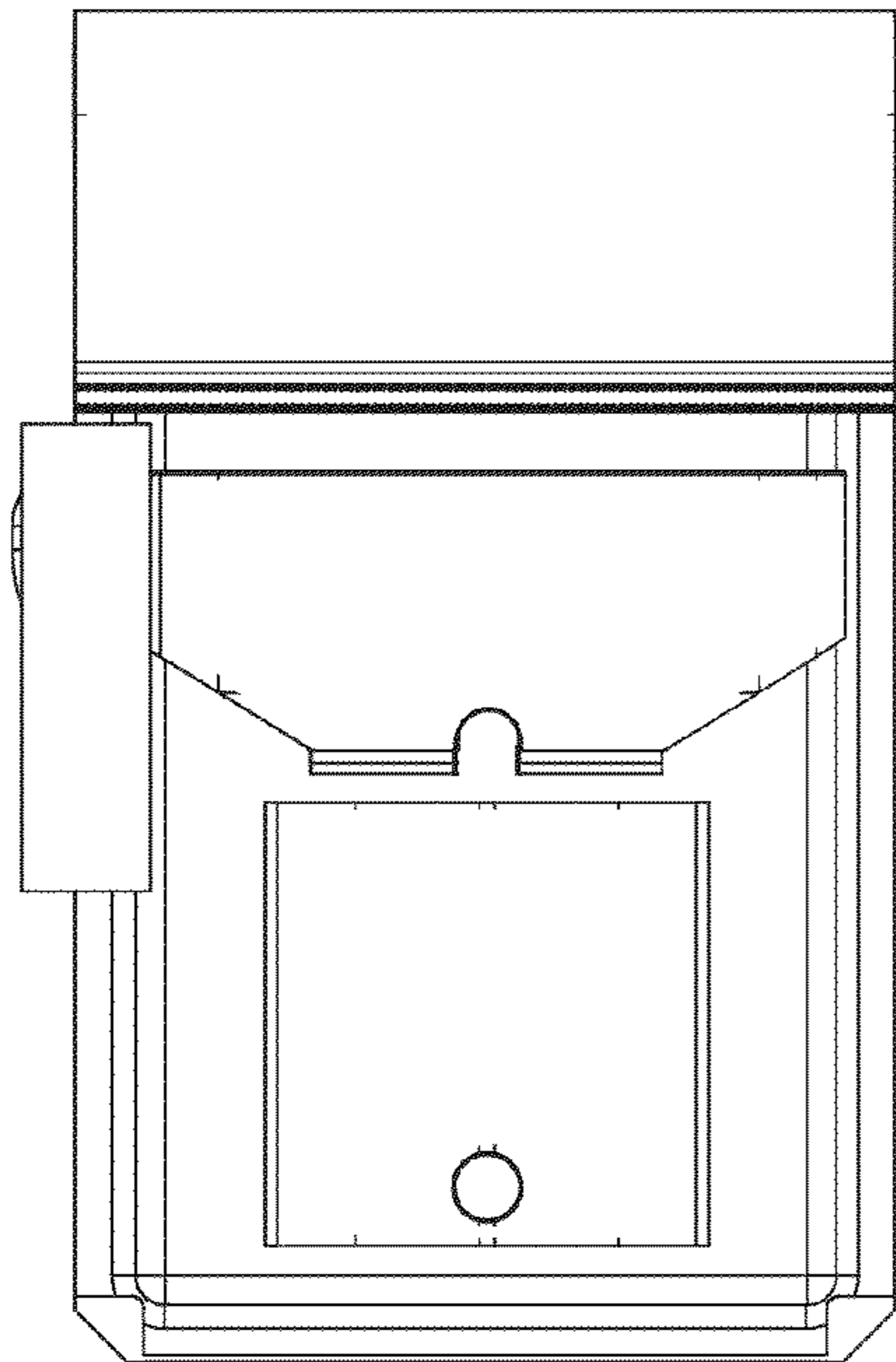


Fig. 5

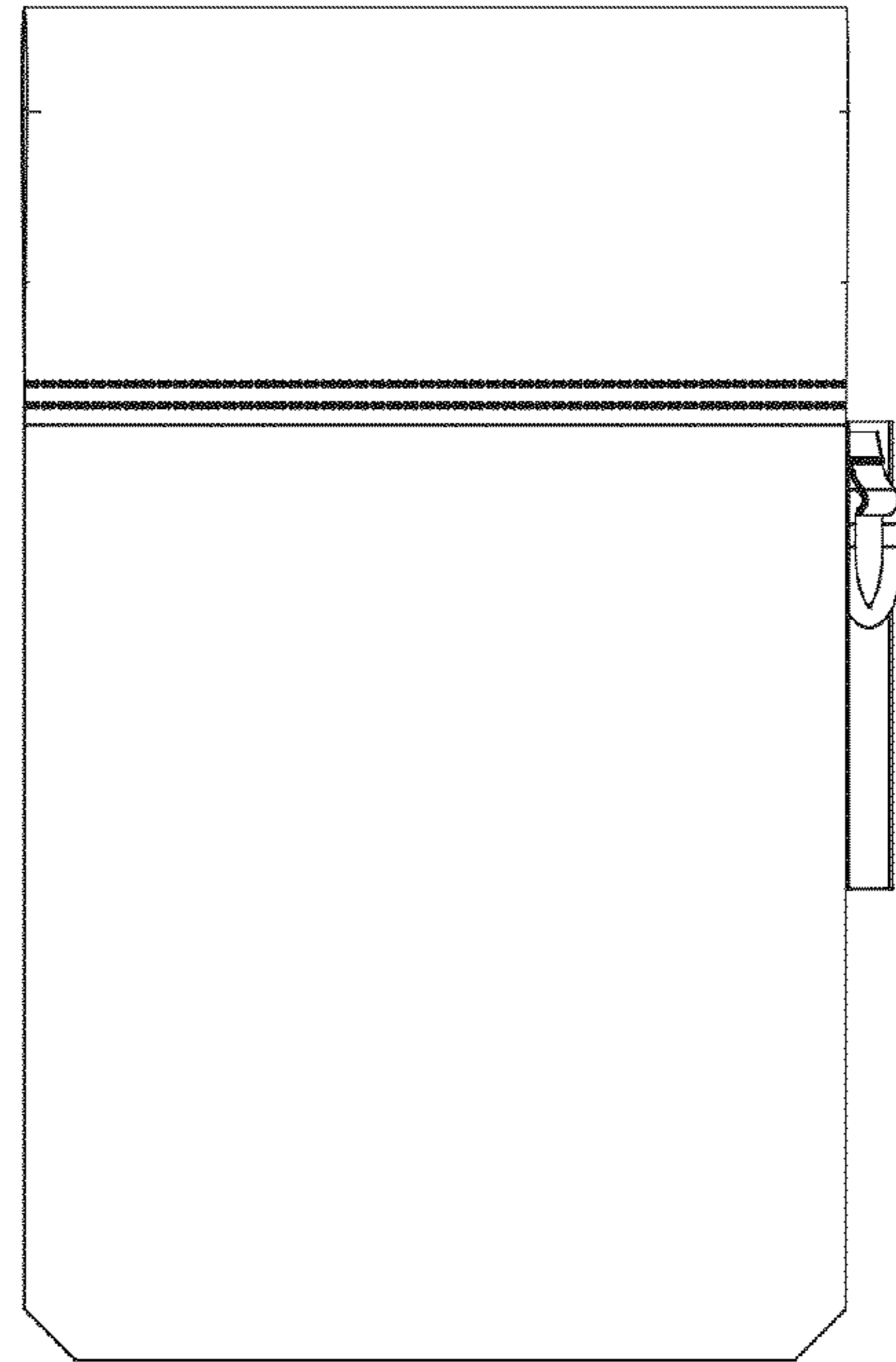


Fig. 6

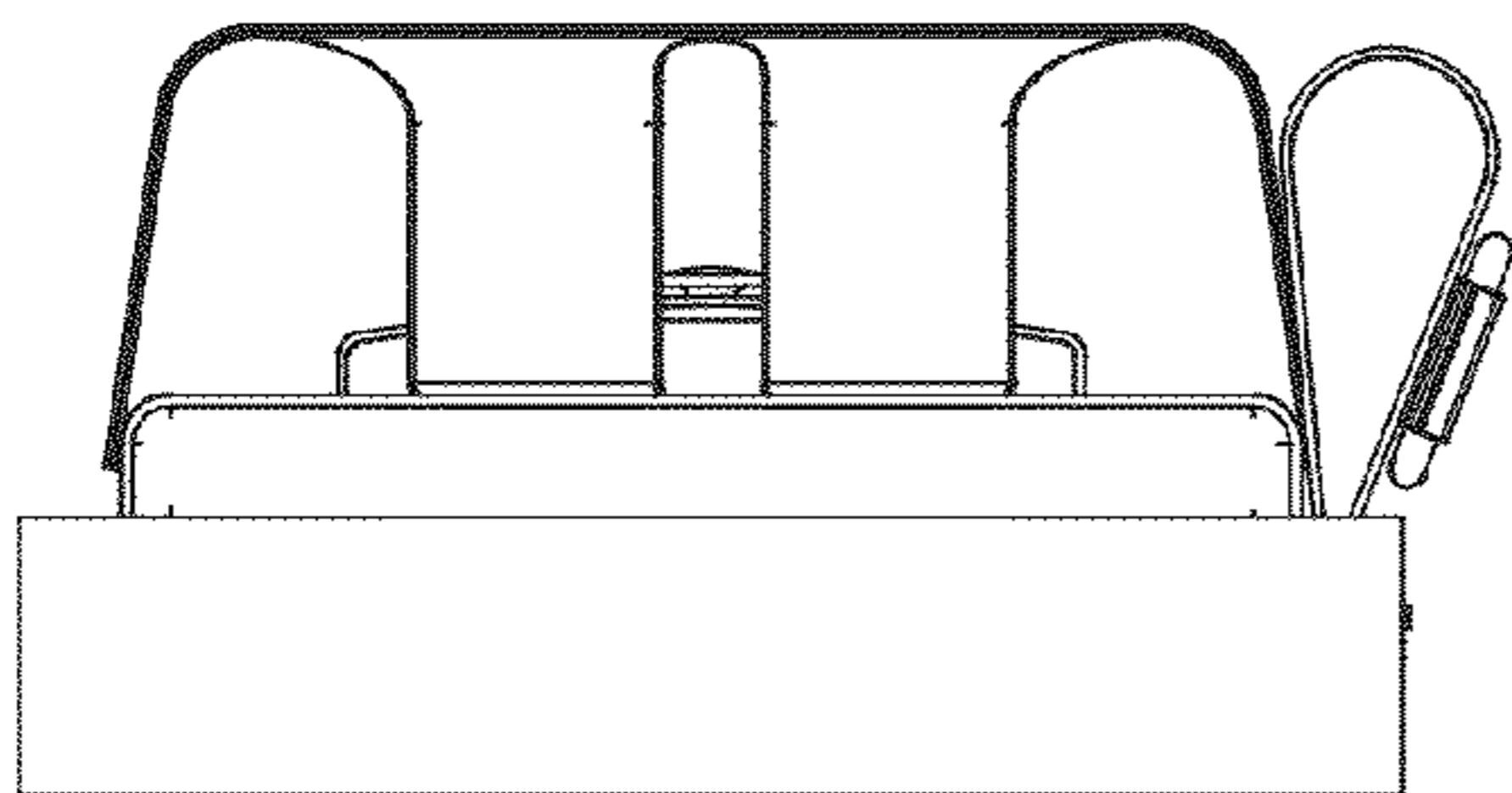


Fig. 7

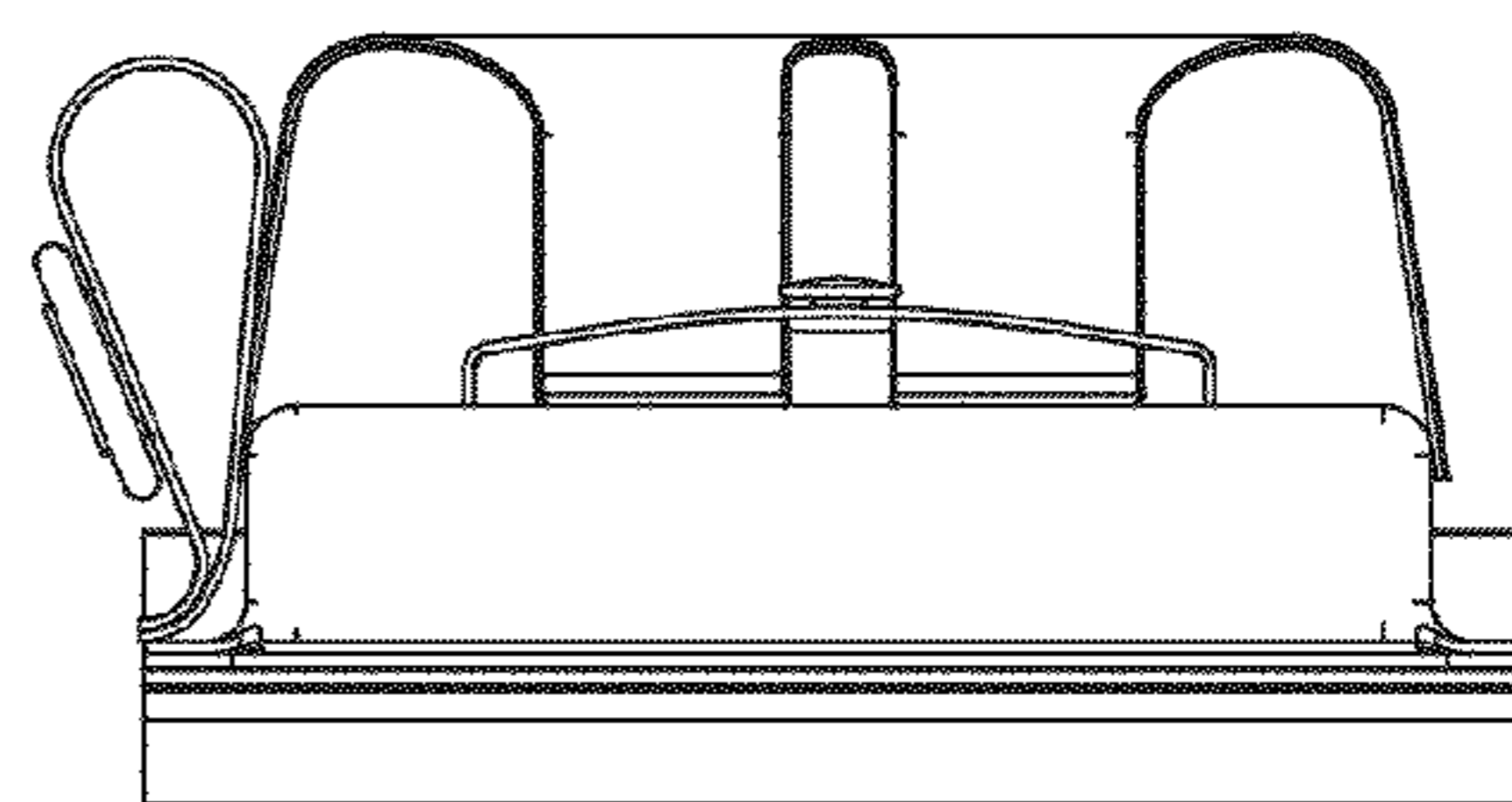


Fig. 8

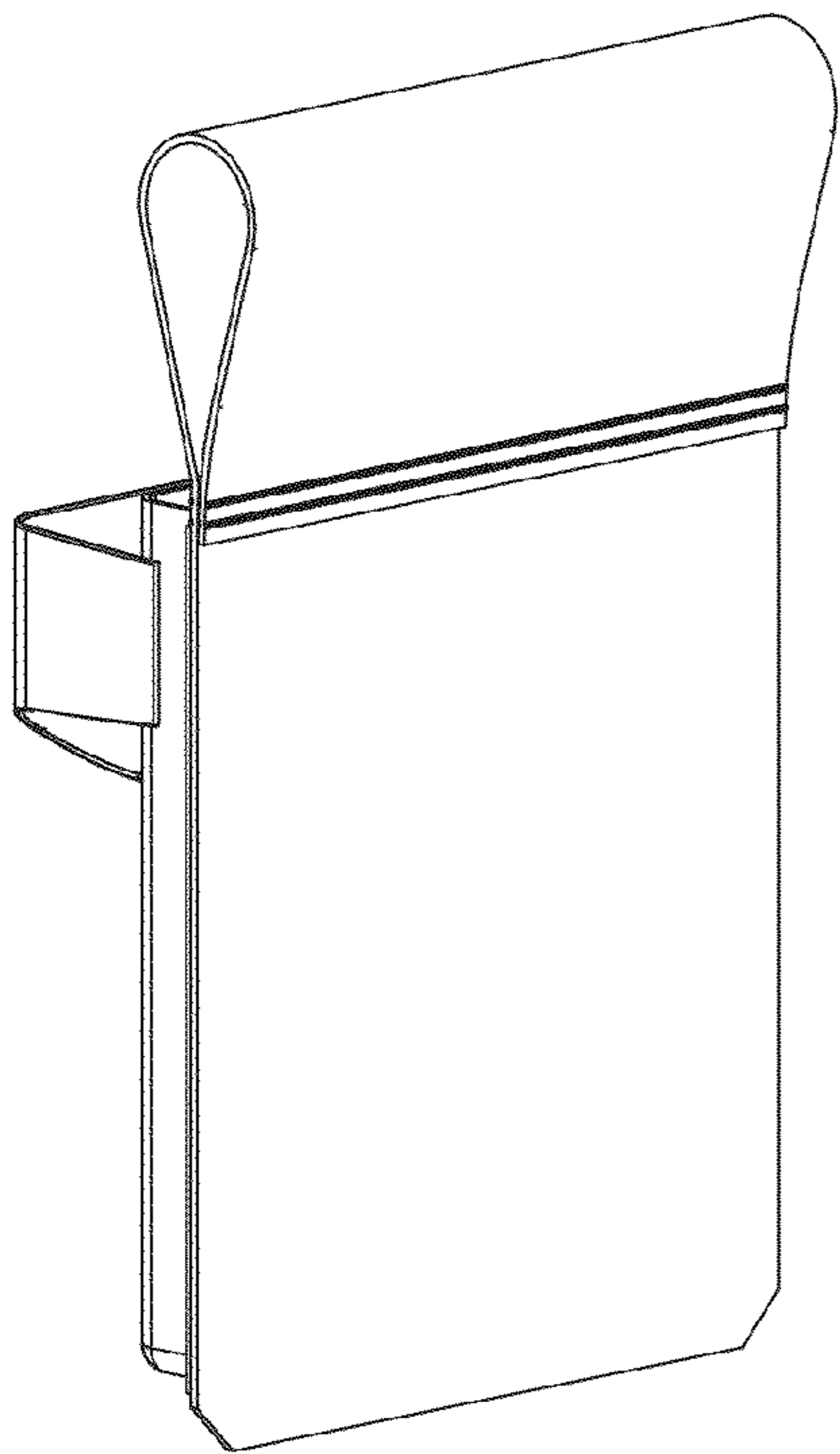


Fig. 9

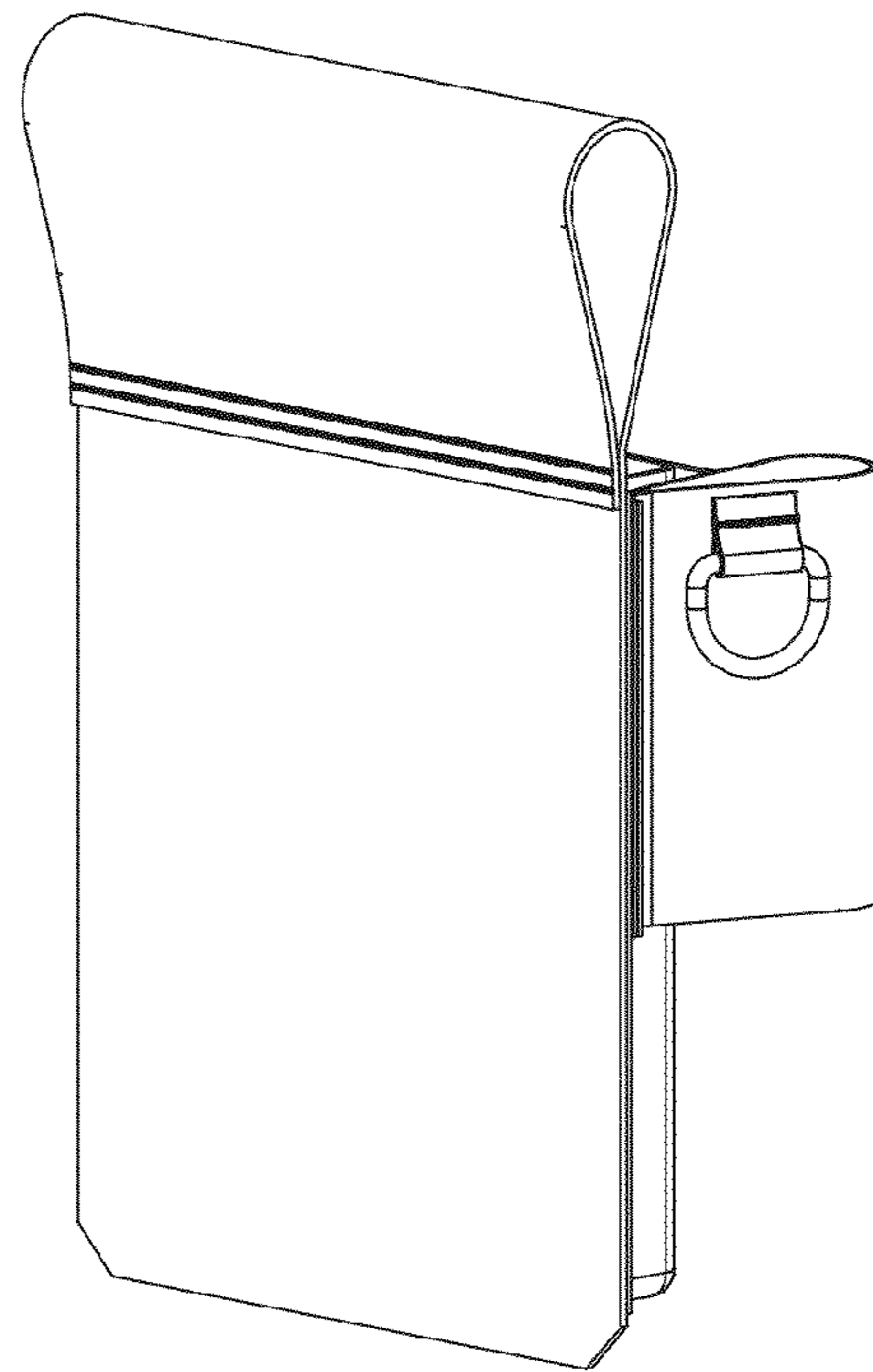


Fig. 10