



US00D676222S

(12) **United States Design Patent**  
**Martinez**

(10) **Patent No.:** **US D676,222 S**

(45) **Date of Patent:** **\*\* Feb. 19, 2013**

(54) **SHOE**

5,205,054 A \* 4/1993 York, Jr. .... 36/11.5  
D363,814 S \* 11/1995 Tsujino ..... D2/916  
RE35,452 E \* 2/1997 Sargeant ..... 36/11.5

(76) Inventor: **Jose Martinez**, Portland, OR (US)

\* cited by examiner

(\*\*) Term: **14 Years**

*Primary Examiner* — Robert M Spear

*Assistant Examiner* — Rashida C McCoy

(21) Appl. No.: **29/422,158**

(74) *Attorney, Agent, or Firm* — Peter A Haas Esquire LLC

(22) Filed: **May 17, 2012**

(57) **CLAIM**

The ornamental design for a shoe, as shown and described.

(51) **LOC (9) Cl.** ..... **02-04**

**DESCRIPTION**

(52) **U.S. Cl.** ..... **D2/917**

(58) **Field of Classification Search** ..... D02/900,

D02/916-919, 946, 969, 974, 896; 36/45,

36/11.5, 3 A, 3 R, 7.5, 7.6, 88, 43

See application file for complete search history.

FIG. 1 is a perspective view of the shoe;

FIG. 2 is a left side view of the shoe;

FIG. 3 is a right side view of the shoe;

FIG. 4 is a rear view of the shoe;

FIG. 5 is a front view of the shoe;

FIG. 6 is a top view of the shoe; and,

FIG. 7 is a bottom view of the shoe.

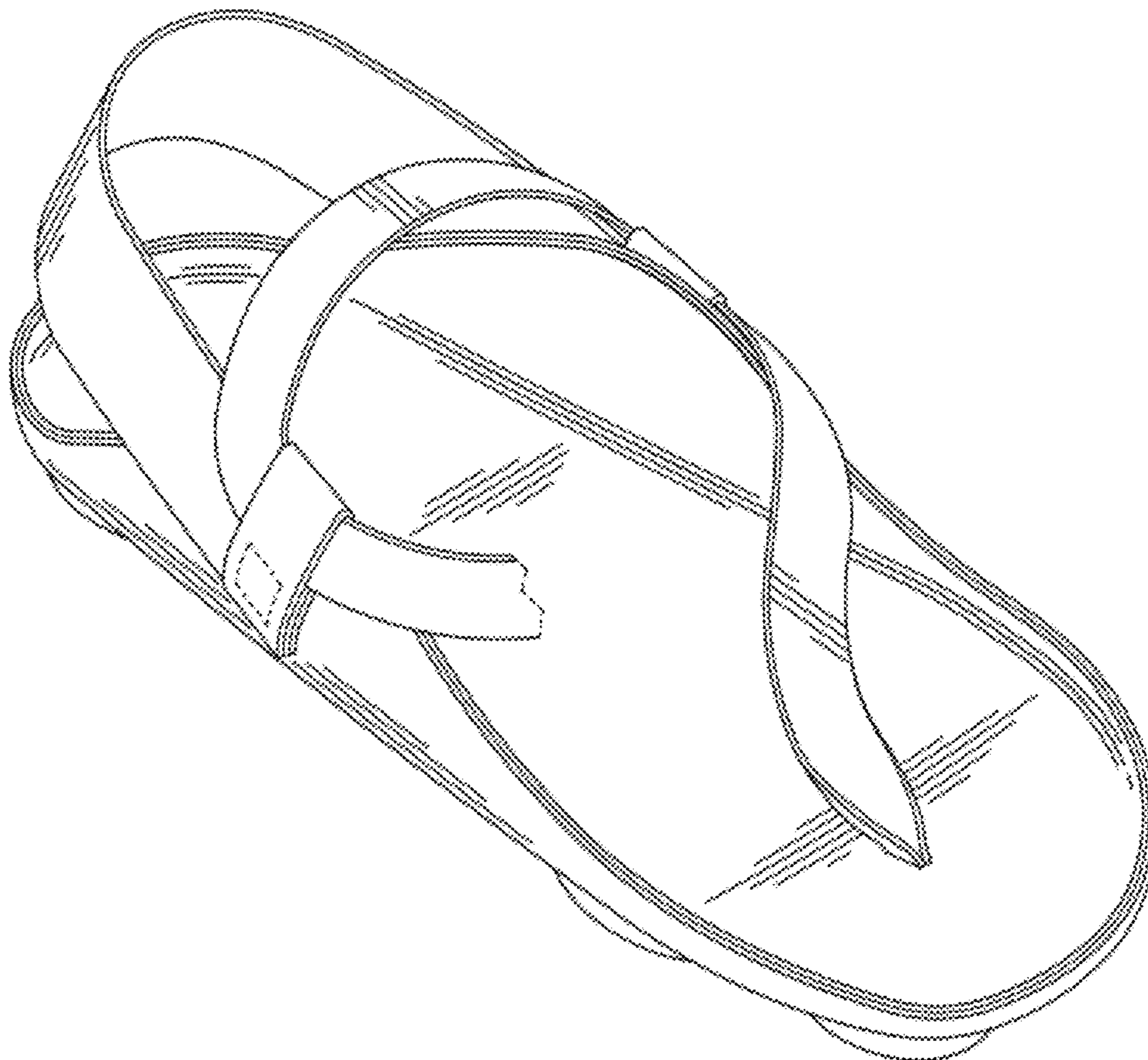
The broken lines in the drawings represent unclaimed environmental subject matter.

(56) **References Cited**

**U.S. PATENT DOCUMENTS**

D163,359 S \* 5/1951 Braun ..... D2/916  
D169,015 S \* 3/1953 Ssicca ..... D2/917  
D296,608 S \* 7/1988 Maciel ..... D2/916  
D306,930 S \* 4/1990 Combs ..... D2/916

**1 Claim, 5 Drawing Sheets**



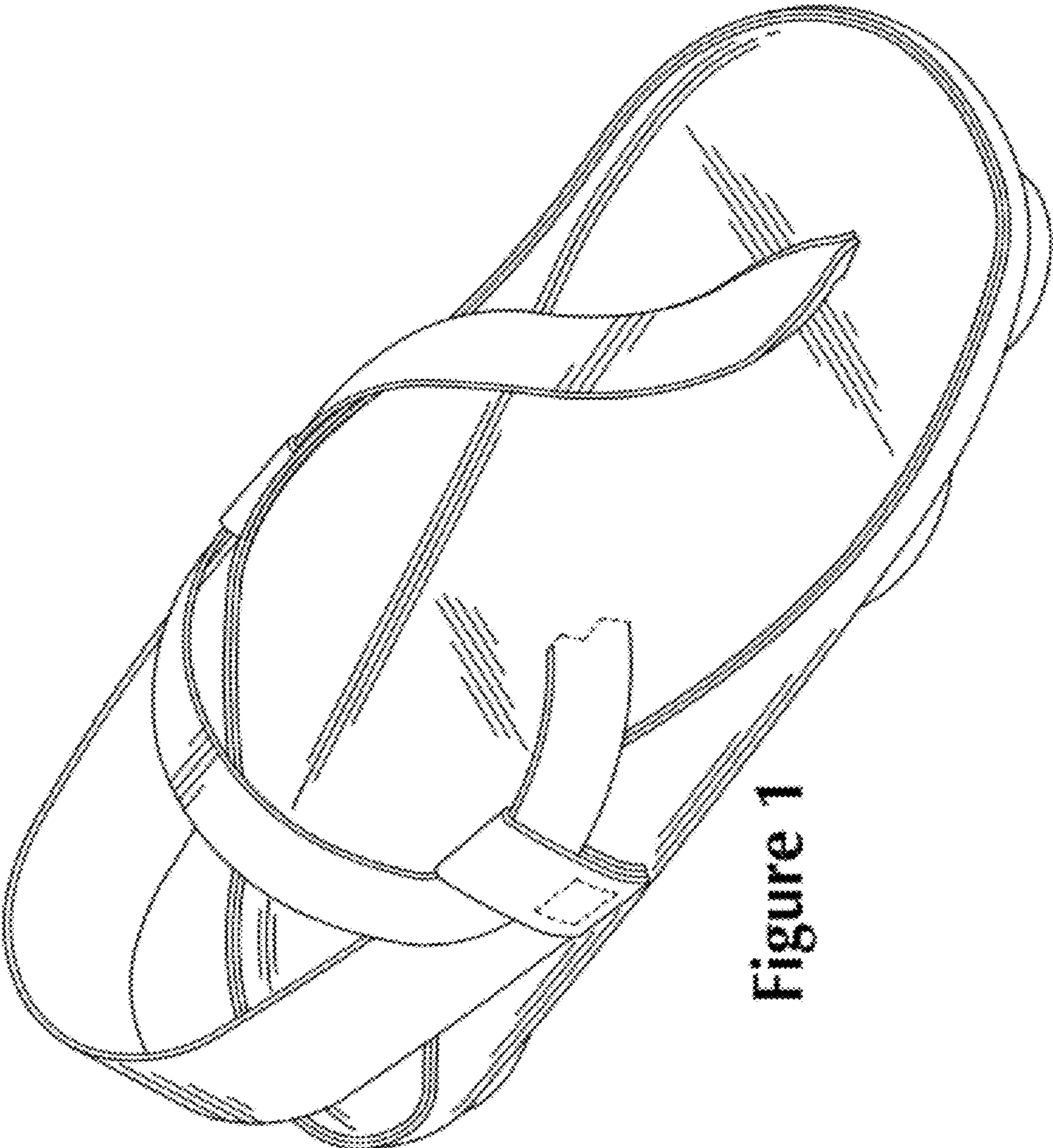


Figure 1

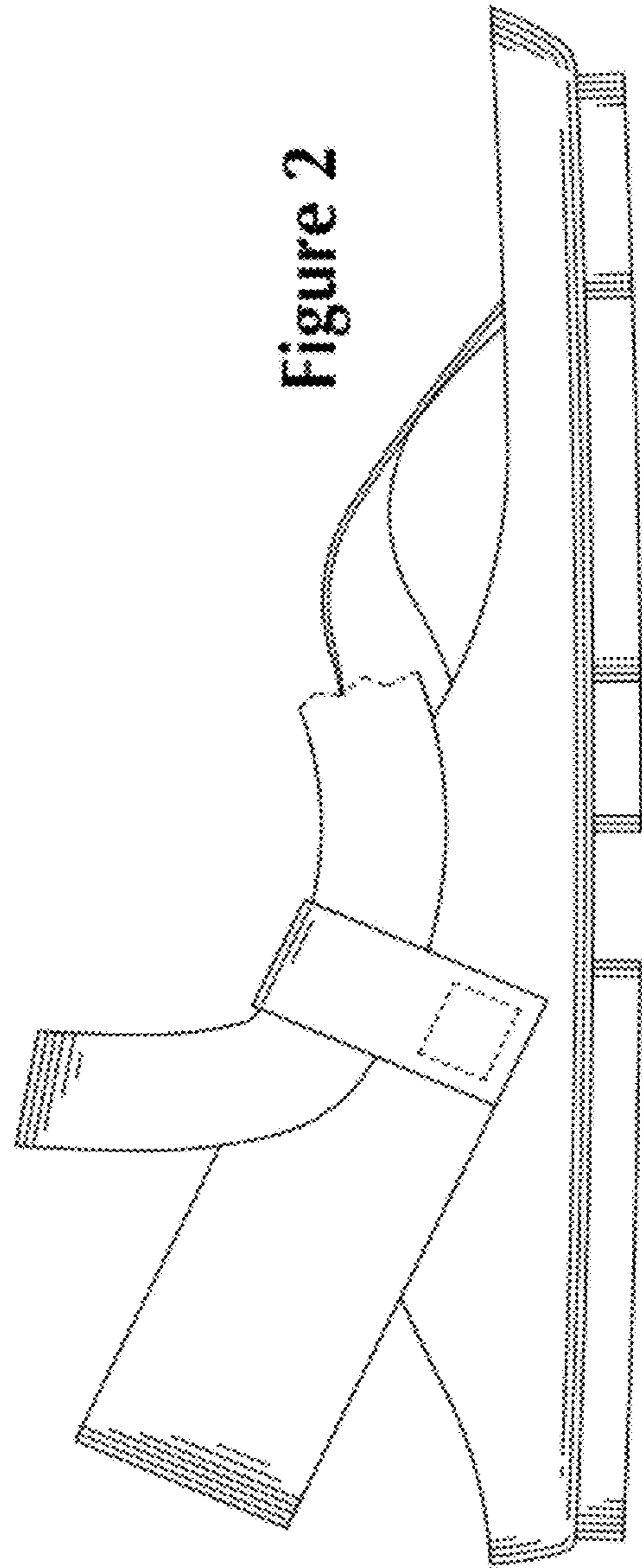


Figure 2

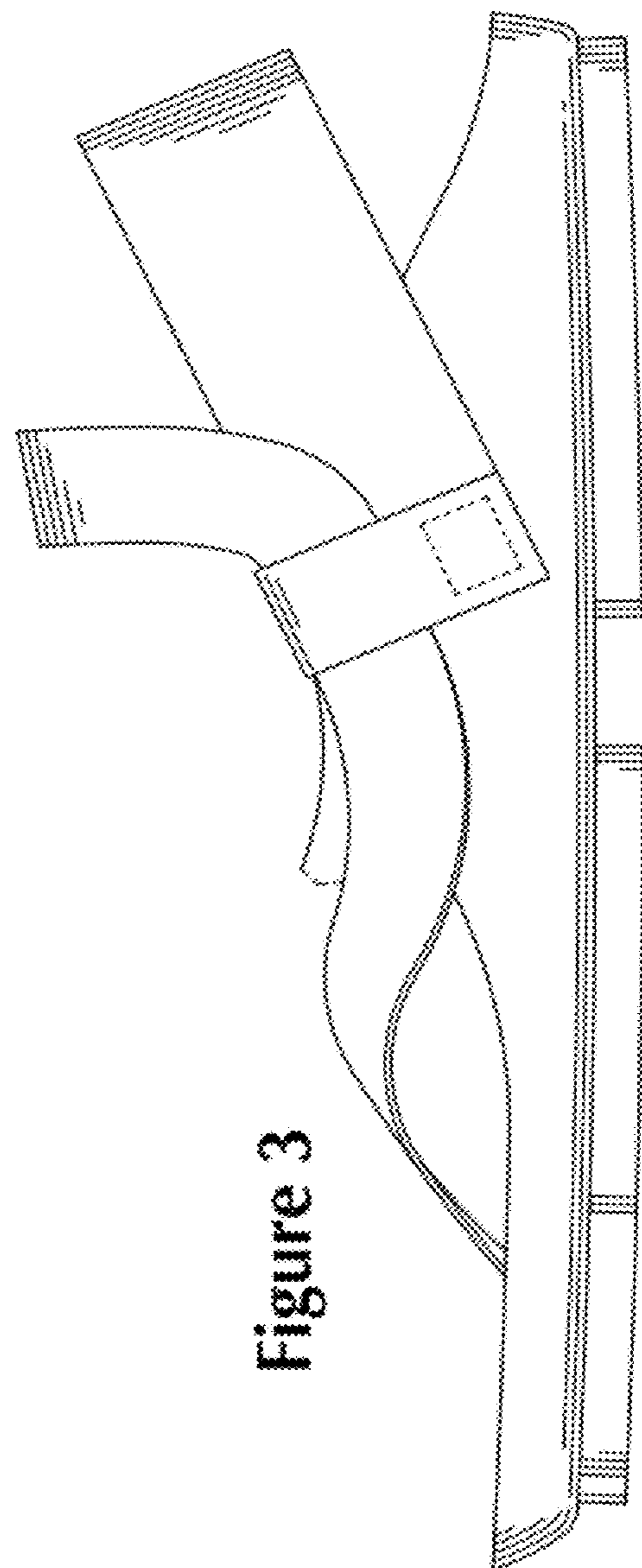
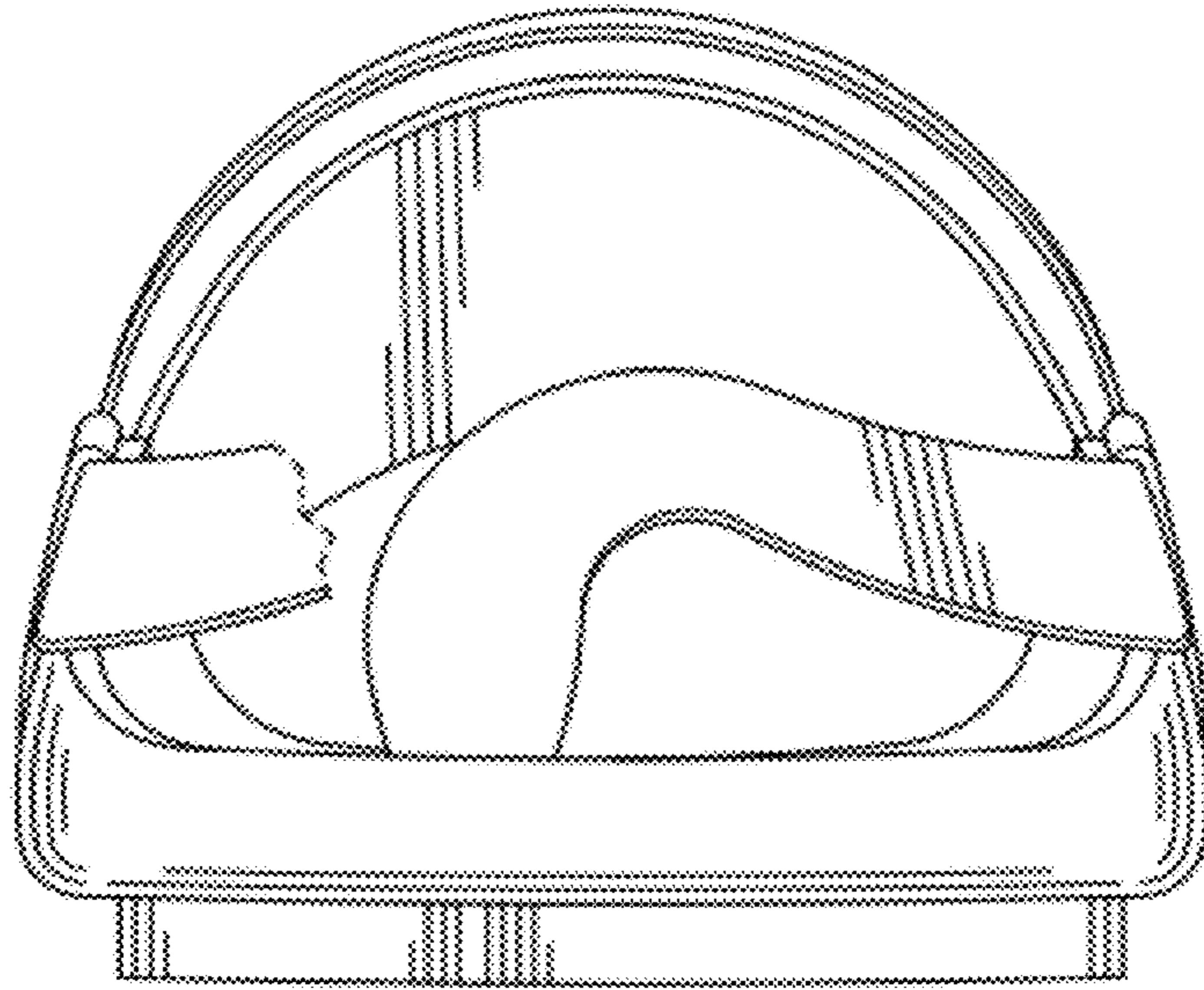
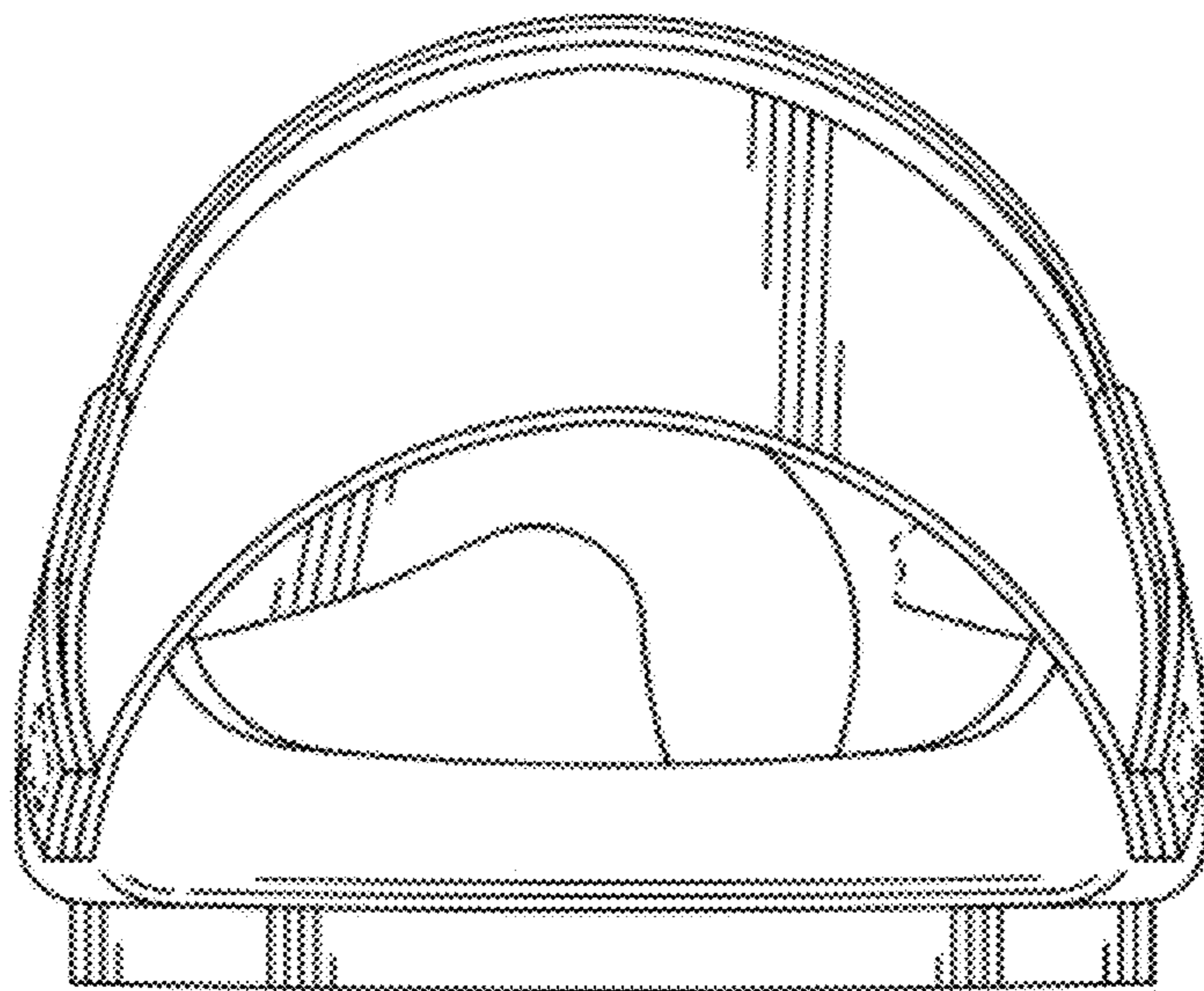


Figure 3



**Figure 4**



**Figure 5**

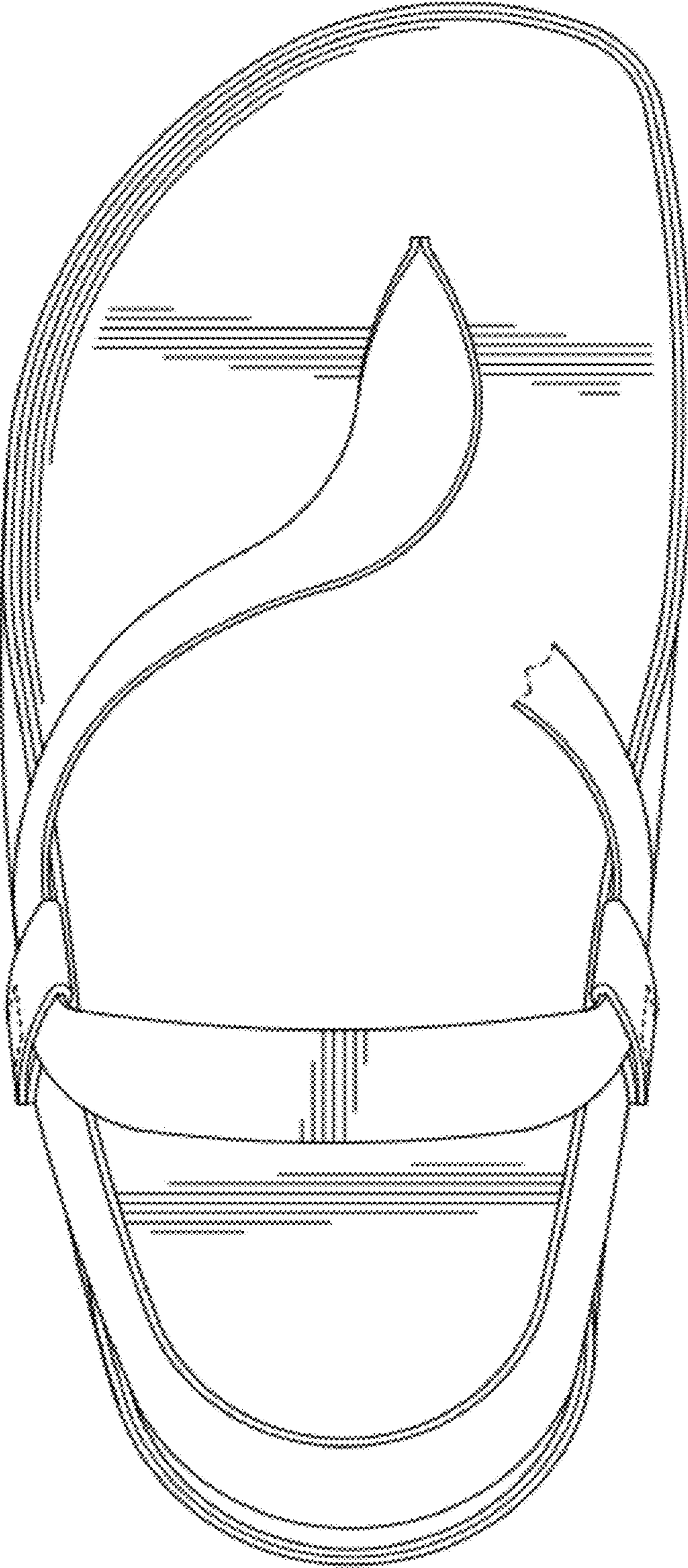


Figure 6

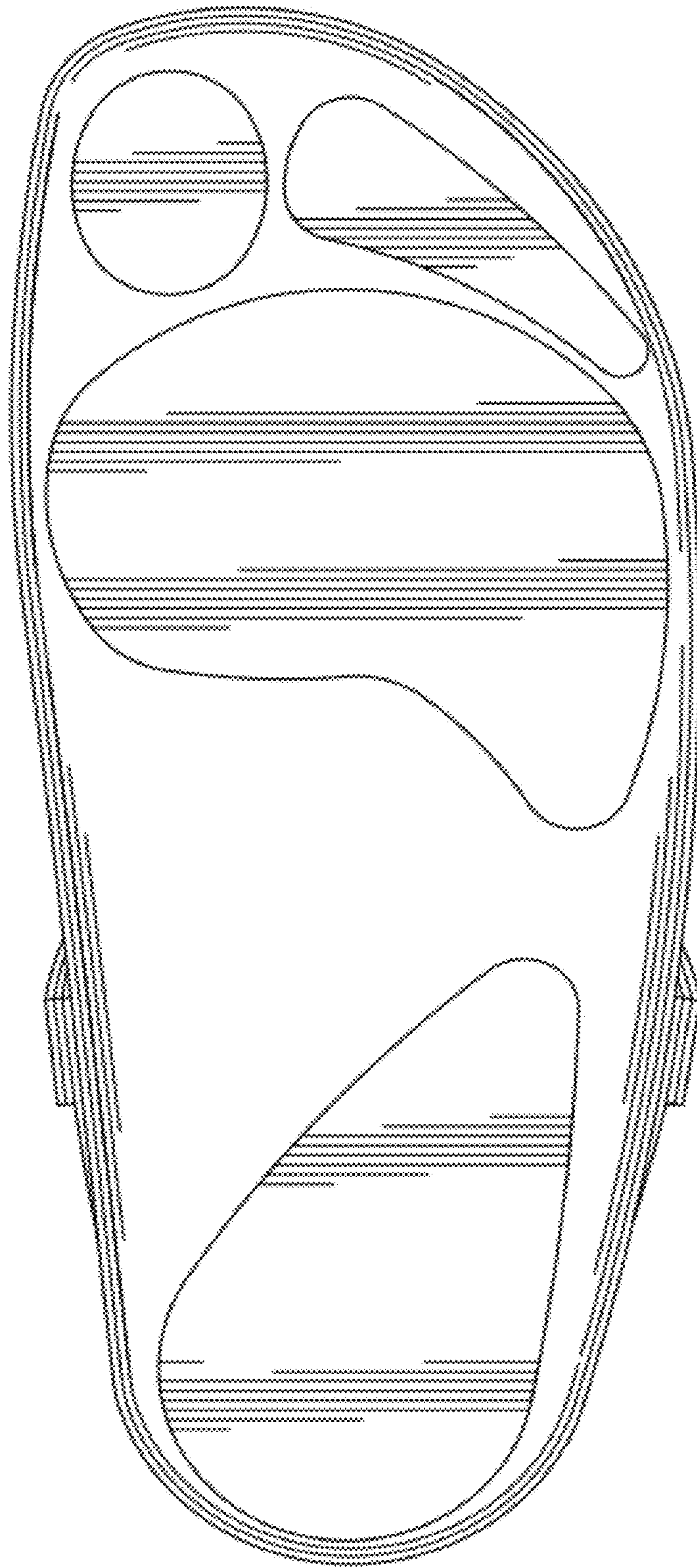


Figure 7