



US00D676216S

(12) **United States Design Patent**  
**Peterson et al.**

(10) **Patent No.:** **US D676,216 S**

(45) **Date of Patent:** **\*\* Feb. 19, 2013**

(54) **COOKIE**

(75) Inventors: **Scott David Peterson**, Spring Lake, MI (US); **Clara Grainne Eleanor O'Connor**, Helsingborg (SE)

(73) Assignee: **Societe des Produits Nestle, S.A.**, Vevey (CH)

(\*\*) Term: **14 Years**

(21) Appl. No.: **29/417,860**

(22) Filed: **Apr. 10, 2012**

(51) **LOC (9) Cl.** ..... **01-01**

(52) **U.S. Cl.** ..... **D1/128**

(58) **Field of Classification Search** ..... D1/100-130, D1/199; D21/324, 341, 386, 623, 803; D6/597, D6/601; D7/359, 409; D20/10; 426/94, 426/87, 90, 144; D25/138; D9/456  
See application file for complete search history.

(56) **References Cited**

**U.S. PATENT DOCUMENTS**

2,874,048	A	*	2/1959	Walldov	.....	426/1
D272,009	S	*	1/1984	Zonnenberg	.....	D1/199
D357,338	S	*	4/1995	Bornhorst	.....	D1/125
D465,858	S	*	11/2002	Griffith	.....	D25/138
D475,625	S	*	6/2003	Lin	.....	D9/456
D486,292	S	*	2/2004	Ni et al.	.....	D1/199

D490,589	S	*	6/2004	Bortone	.....	D1/125
D496,142	S	*	9/2004	Jimenez et al.	.....	D1/125
D512,546	S	*	12/2005	Ibanez	.....	D1/127
D526,111	S	*	8/2006	Rivero-Jimenez et al.	....	D1/125
D579,587	S	*	10/2008	Hu	.....	D25/138
D595,926	S	*	7/2009	Madsen et al.	.....	D1/106
D647,686	S	*	11/2011	Mann	.....	D1/128

\* cited by examiner

*Primary Examiner* — Cathron Brooks

*Assistant Examiner* — Katie Mroczka

(74) *Attorney, Agent, or Firm* — Gary M. Lobel

(57) **CLAIM**

The ornamental design for a cookie, as shown and described.

**DESCRIPTION**

FIG. 1 is a top view of our new design for a cookie.  
FIG. 2 is a front view of our new design for a cookie.  
FIG. 3 is a right view of our new design for a cookie.  
FIG. 4 is a left view of our new design for a cookie.  
FIG. 5 is a rear view of our new design for a cookie.  
FIG. 6 is a bottom view of our new design for a cookie.  
FIG. 7 is a perspective view showing the front, top, and right sides of our new design for a cookie; and,  
FIG. 8 is a perspective view showing the top, front and left sides of our new design for a cookie.

**1 Claim, 3 Drawing Sheets**

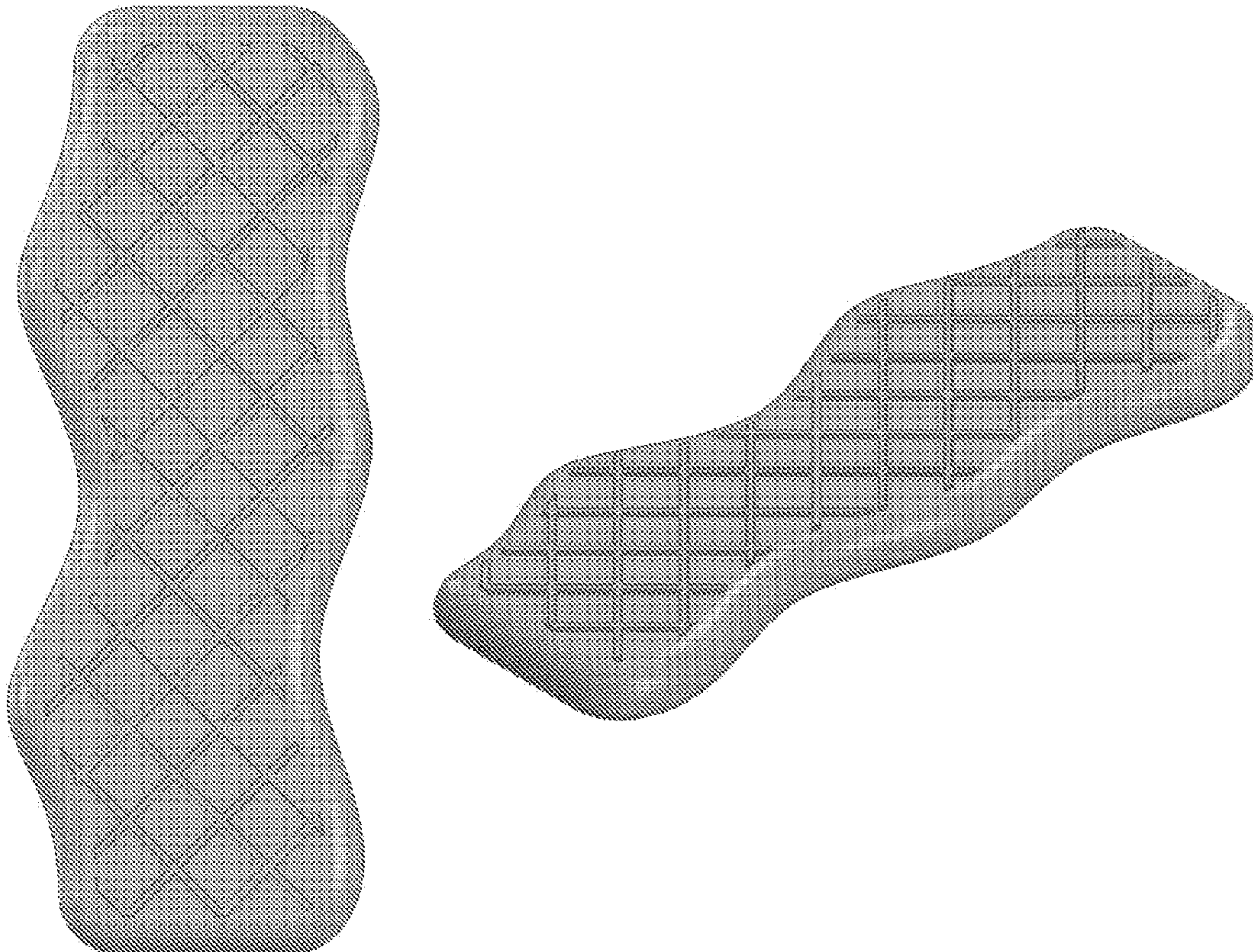




FIG. 1



FIG. 2



FIG. 3

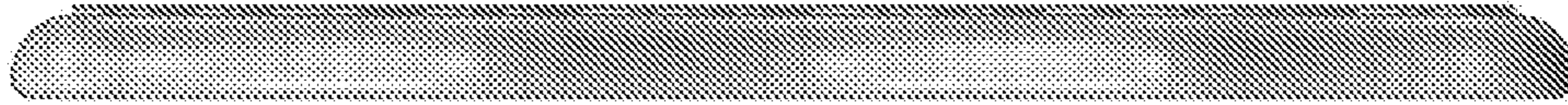


FIG. 4

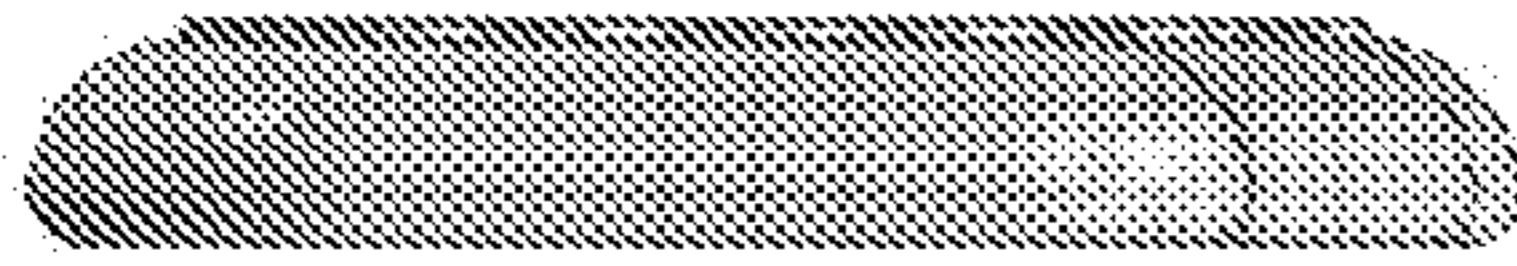


FIG. 5

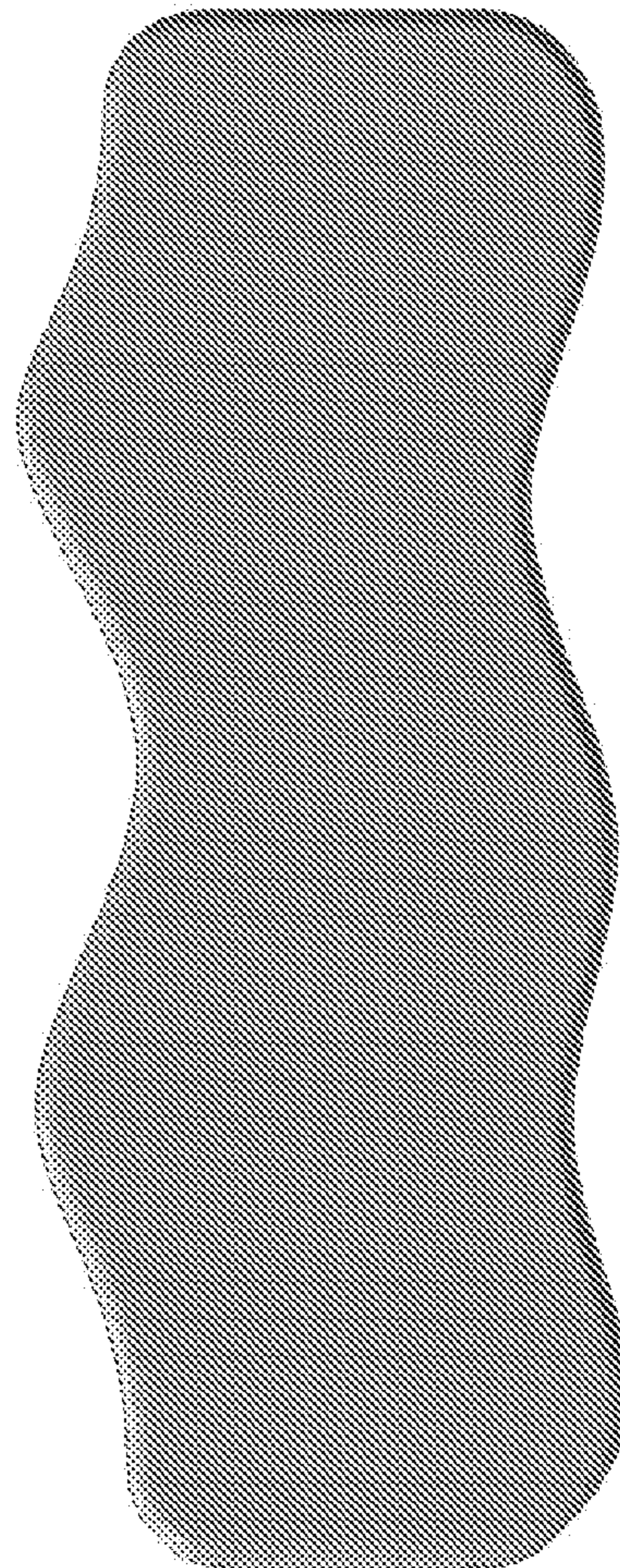


FIG. 6

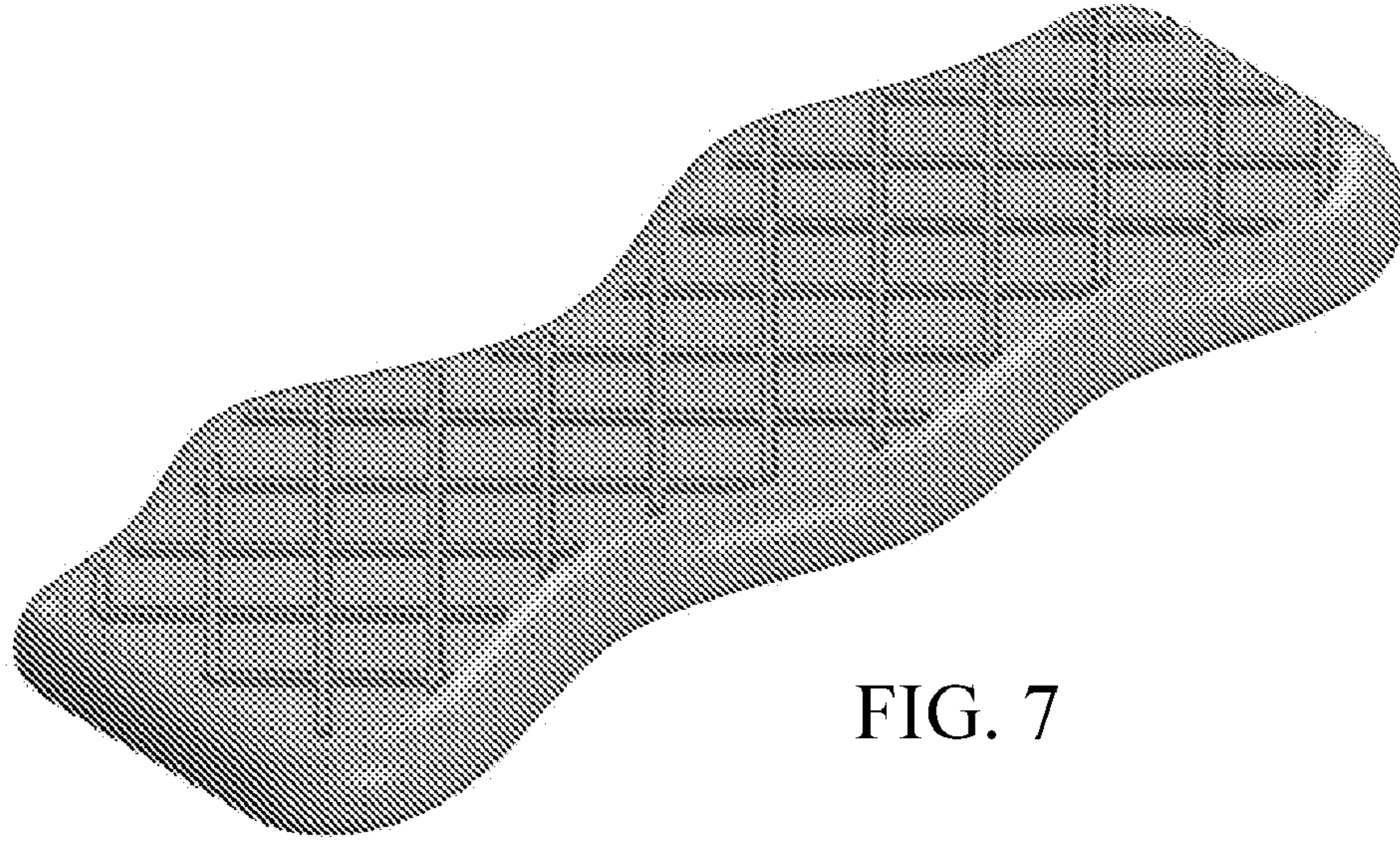


FIG. 7

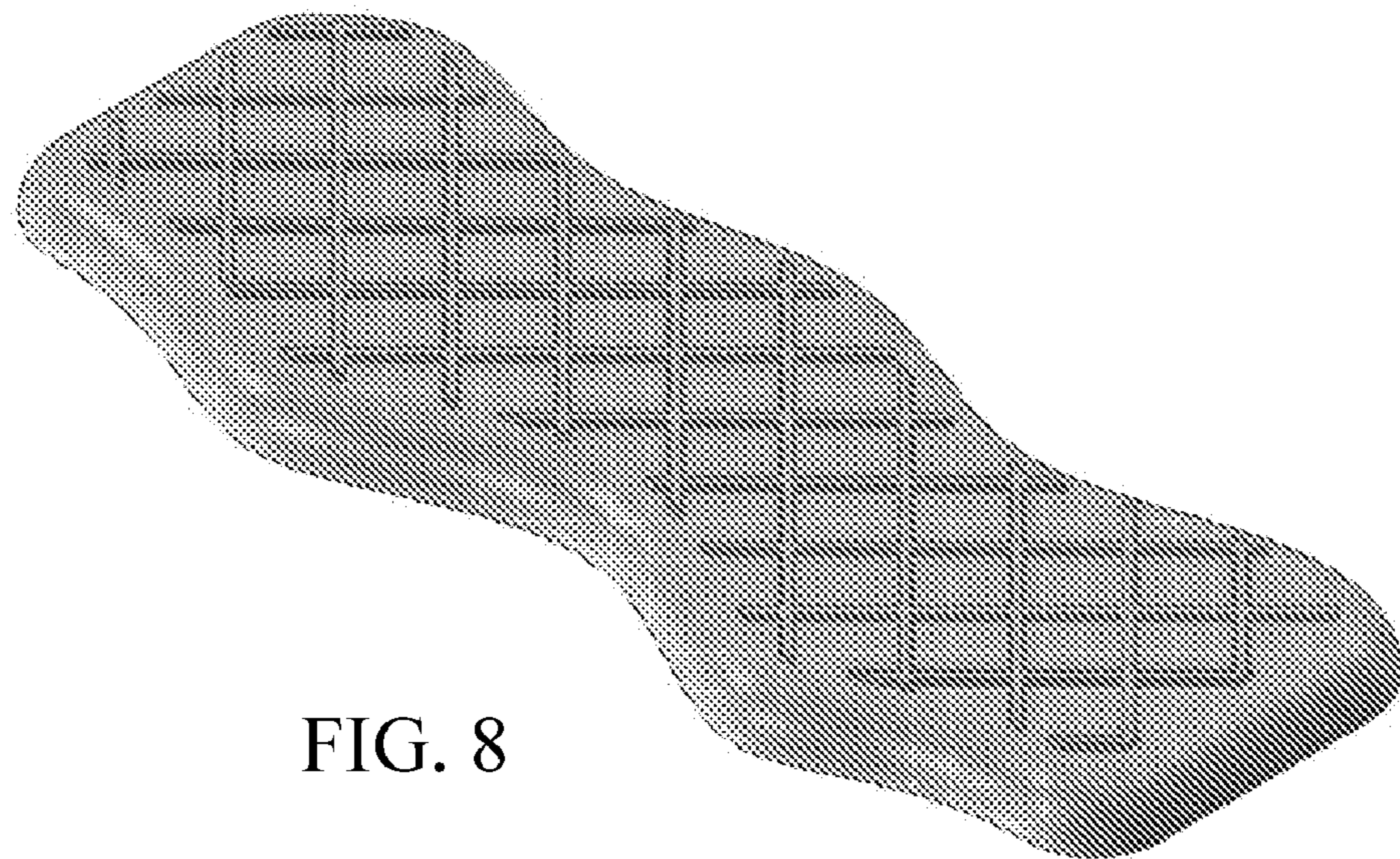


FIG. 8