



US00D676213S

(12) **United States Design Patent**  
**Dyrvall et al.**

(10) **Patent No.:** **US D676,213 S**  
(45) **Date of Patent:** **\*\* Feb. 12, 2013**

(54) **LIFTING DEVICE FOR PLASTIC AND METAL BARRELS AND DRUMS**

(75) Inventors: **Filip Dyrvall**, Solna (SE); **Jerzy Antowski**, Järfälla (SE)

(73) Assignee: **Q Enterprise Solutions AB**, Järfälla (SE)

(\*\*) Term: **14 Years**

(21) Appl. No.: **29/417,139**

(22) Filed: **Mar. 30, 2012**

(30) **Foreign Application Priority Data**

Oct. 13, 2011 (EM) ..... 001931684

(51) **LOC (9) Cl.** ..... **12-05**

(52) **U.S. Cl.** ..... **D34/28**

(58) **Field of Classification Search** ..... D34/28,  
D34/29, 33, 35, 39; 280/43.12; 180/19.1,  
180/19.2, 19.3, 8 B, 4 R, 32, 266

See application file for complete search history.

(56) **References Cited**

U.S. PATENT DOCUMENTS

4,732,102	A *	3/1988	Holman et al.	114/45
D462,822	S *	9/2002	Carson	D34/31
D471,337	S *	3/2003	Cooper	D34/28
7,325,503	B1 *	2/2008	Vaughn	114/45
D611,393	S *	3/2010	Liljedahl	D12/128
D662,273	S *	6/2012	Bayley	D34/28
D662,680	S *	6/2012	Owens et al.	D34/28

\* cited by examiner

*Primary Examiner* — Cynthia Ramirez

(74) *Attorney, Agent, or Firm* — Jacobson Holman PLLC

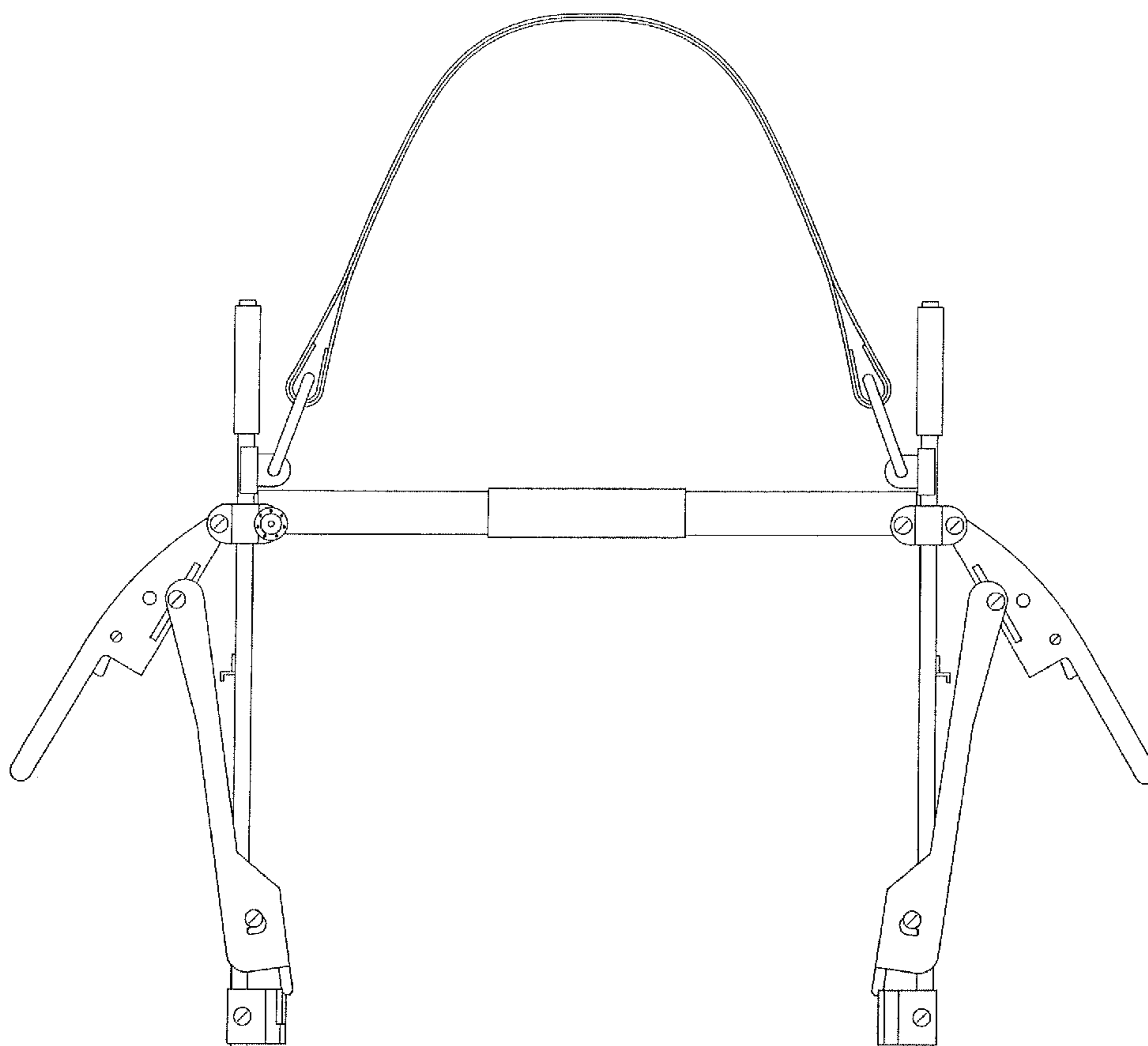
(57) **CLAIM**

The ornamental design for a lifting device for plastic and metal barrels and drums, as shown and described.

**DESCRIPTION**

FIG. 1 is a front perspective view showing our new design for a lifting device for plastic and metal barrels and drums; FIG. 2 is a rear view thereof, FIG. 3 is a left side view thereof, FIG. 4 is a right side view thereof, FIG. 5 is a top view thereof, FIG. 6 is a bottom view thereof; and, FIG. 7 is a bottom perspective view thereof.

**1 Claim, 7 Drawing Sheets**



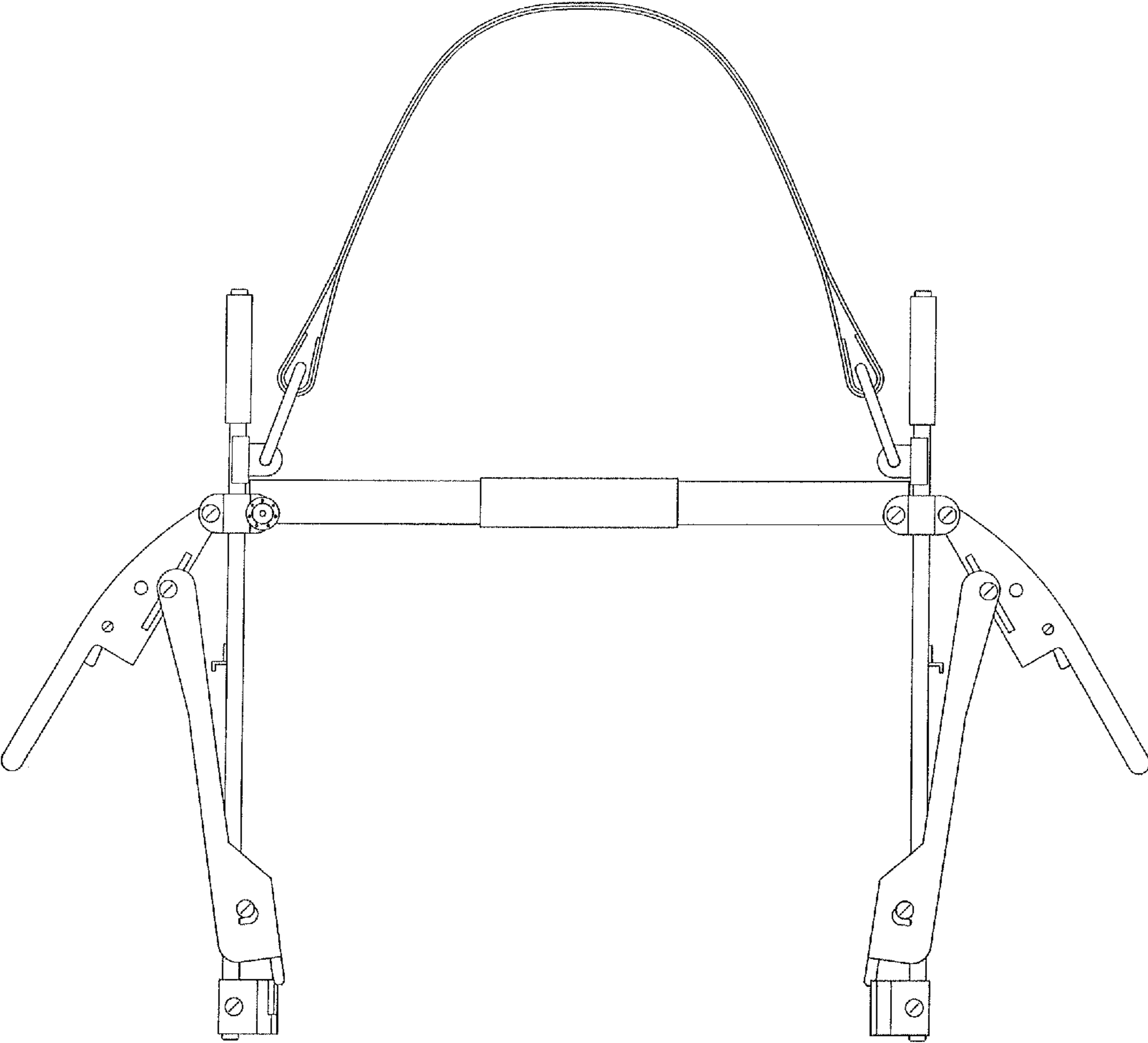


FIGURE 1

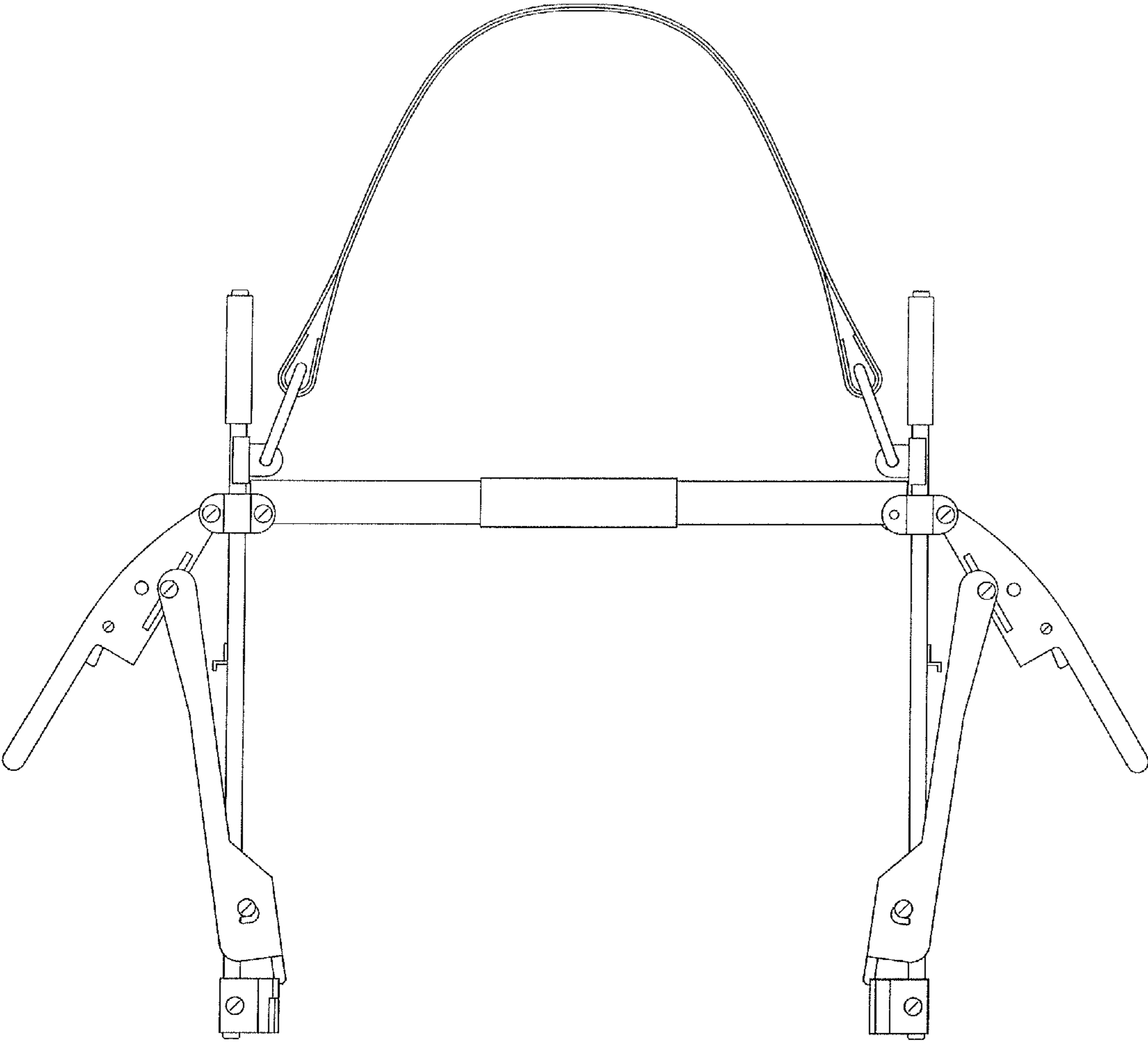


FIGURE 2

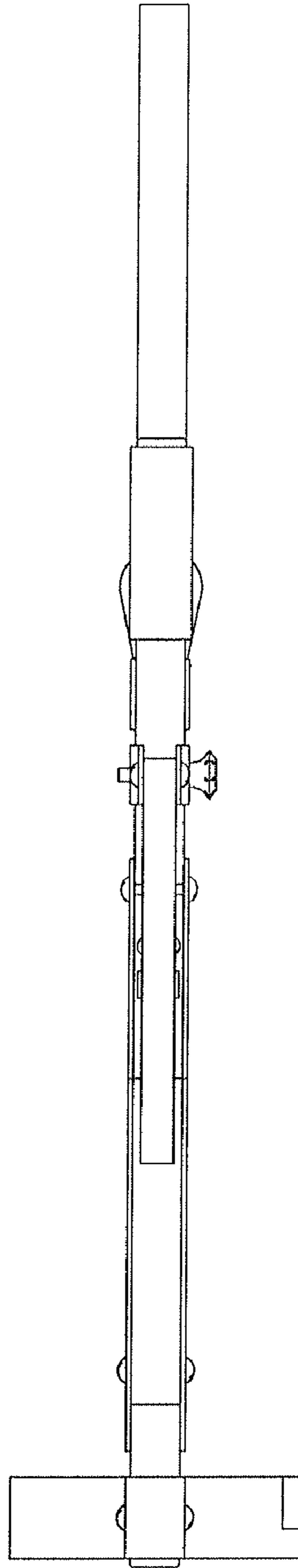


FIGURE 3

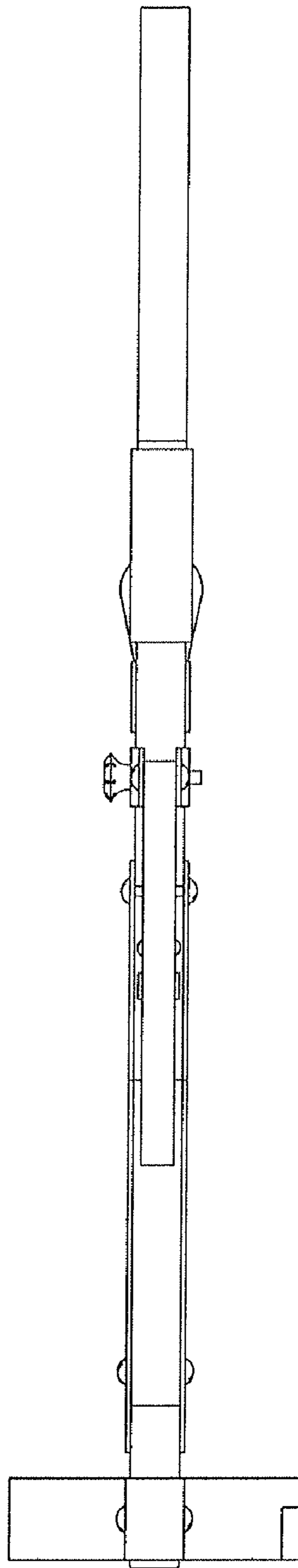


FIGURE 4

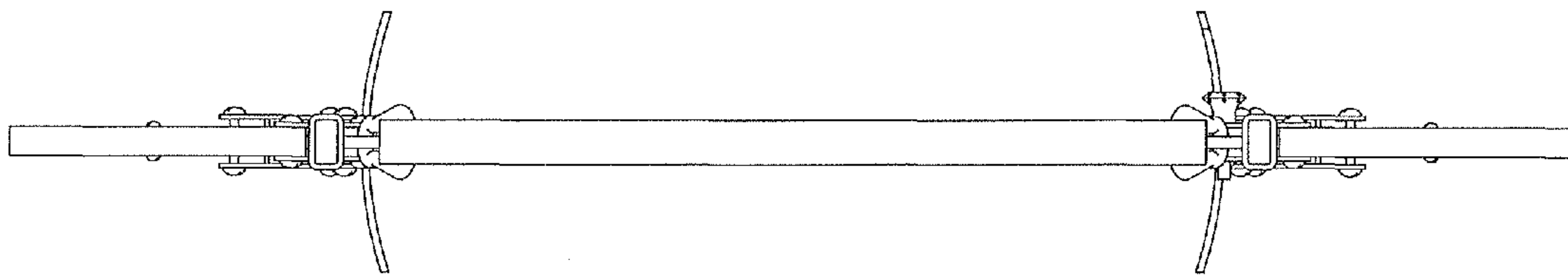


FIGURE 5

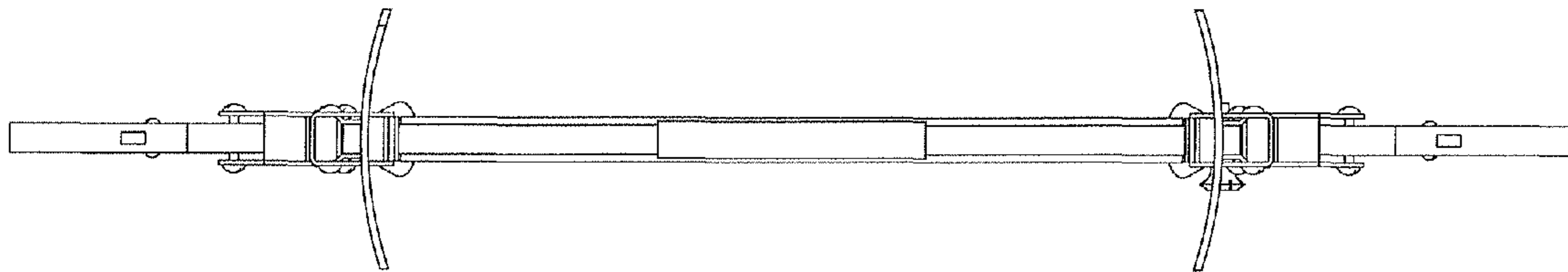


FIGURE 6

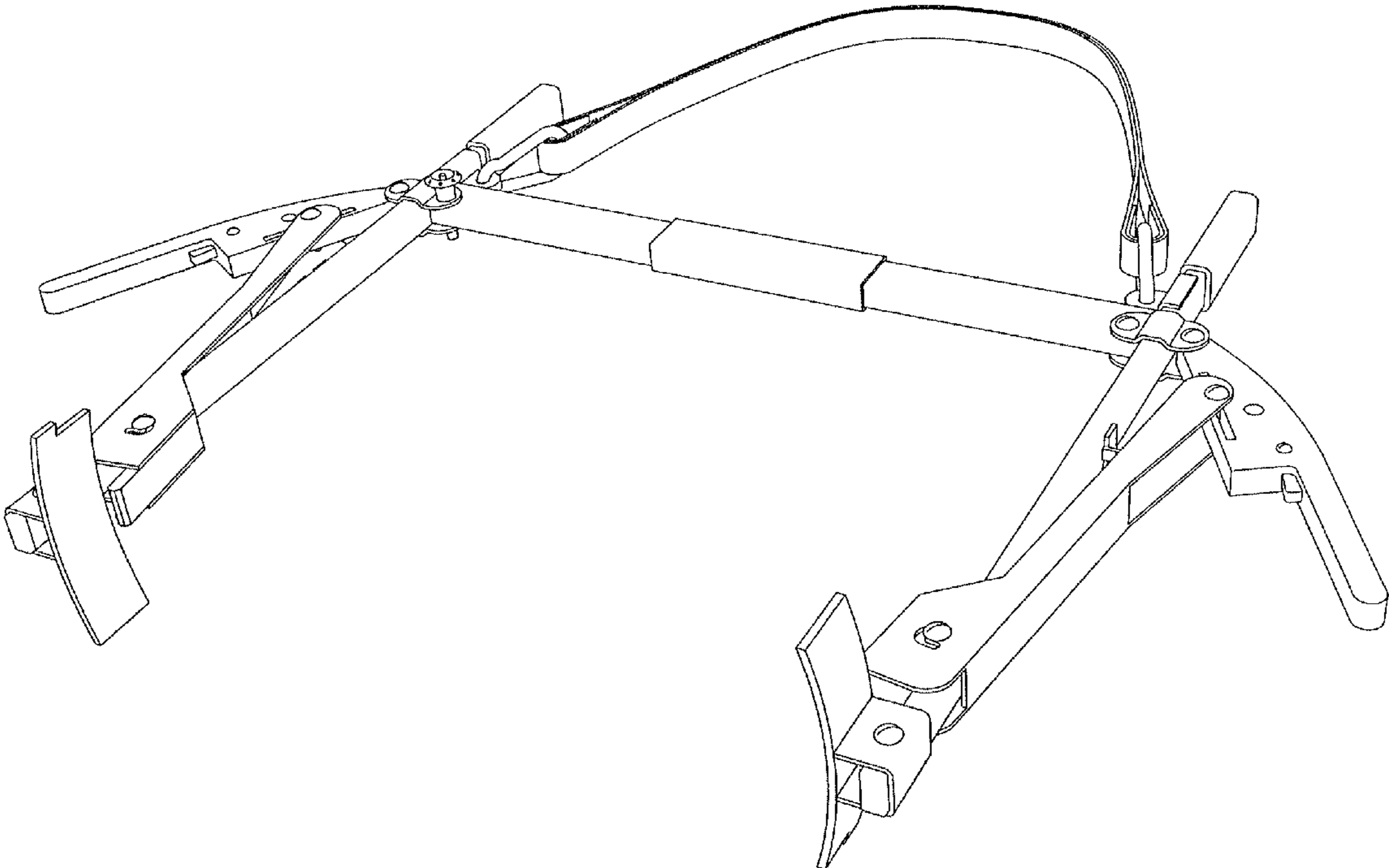


FIGURE 7