



US00D676210S

(12) **United States Design Patent**
Sirard

(10) **Patent No.:** **US D676,210 S**

(45) **Date of Patent:** **** Feb. 12, 2013**

(54) **IRON**

(75) Inventor: **Michael L Sirard**, Attleboro, MA (US)

(73) Assignee: **Euro-Pro Operating LLC**, Newton, MA (US)

(**) Term: **14 Years**

(21) Appl. No.: **29/426,403**

(22) Filed: **Jul. 5, 2012**

(51) **LOC (9) Cl.** **07-05**

(52) **U.S. Cl.** **D32/70**

(58) **Field of Classification Search** D32/73,
D32/72, 71, 70, 69, 68, 35; 392/404; 38/97,
38/96, 93, 88, 77.9, 77.83, 77.82, 77.81,
38/77.8, 77.7, 77.6, 77.5, 77.3, 77.1; 219/251,
219/245

See application file for complete search history.

(56) **References Cited**

U.S. PATENT DOCUMENTS

D428,541 S *	7/2000	Bas	D32/70
D430,371 S *	8/2000	Brady et al.	D32/70
D464,779 S *	10/2002	Garman	D32/70
D476,453 S *	6/2003	Garman	D32/70

D594,166 S *	6/2009	Mizoguchi	D32/70
D610,764 S *	2/2010	Massip et al.	D32/70
D629,989 S *	12/2010	Hollerich et al.	D32/70
D629,991 S *	12/2010	Day et al.	D32/70
D632,863 S *	2/2011	Massip et al.	D32/70
D634,090 S *	3/2011	Massip et al.	D32/70
D642,762 S *	8/2011	Ågren et al.	D32/70
D663,088 S *	7/2012	Choi et al.	D32/70

* cited by examiner

Primary Examiner — Austin Murphy

(74) *Attorney, Agent, or Firm* — Iandiorio Teska & Coleman, LLP

(57) **CLAIM**

The ornamental design for an iron, as shown and described.

DESCRIPTION

FIG. 1 is a perspective view of an iron in accordance with the present design;

FIG. 2 is a front view thereof;

FIG. 3 is a rear view thereof;

FIG. 4 is a top view thereof;

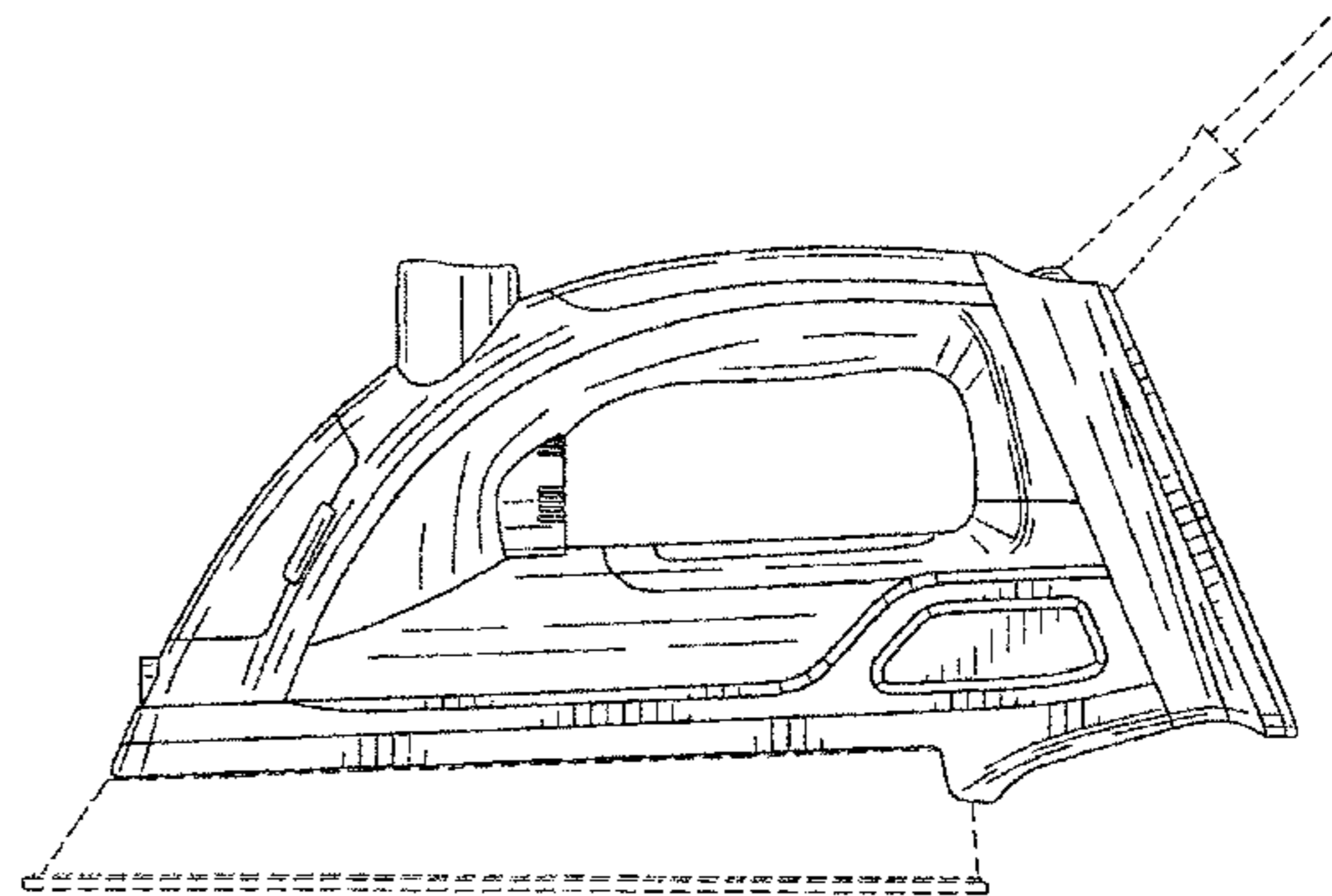
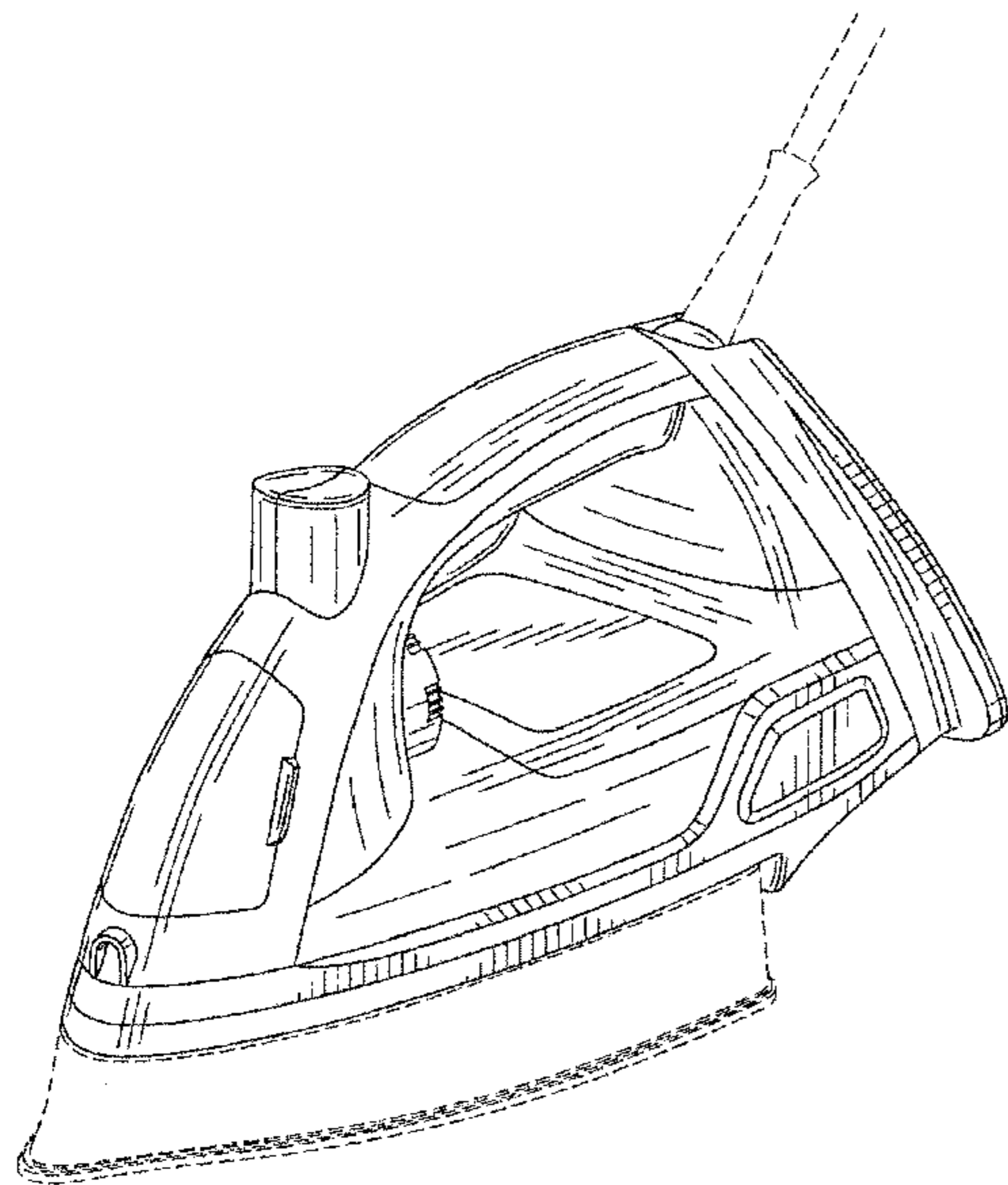
FIG. 5 is a bottom view thereof;

FIG. 6 is a left side view thereof; and,

FIG. 7 is a right side view thereof.

The broken lines in the drawings are for illustrative purposes only and form no part of the claimed design.

1 Claim, 3 Drawing Sheets



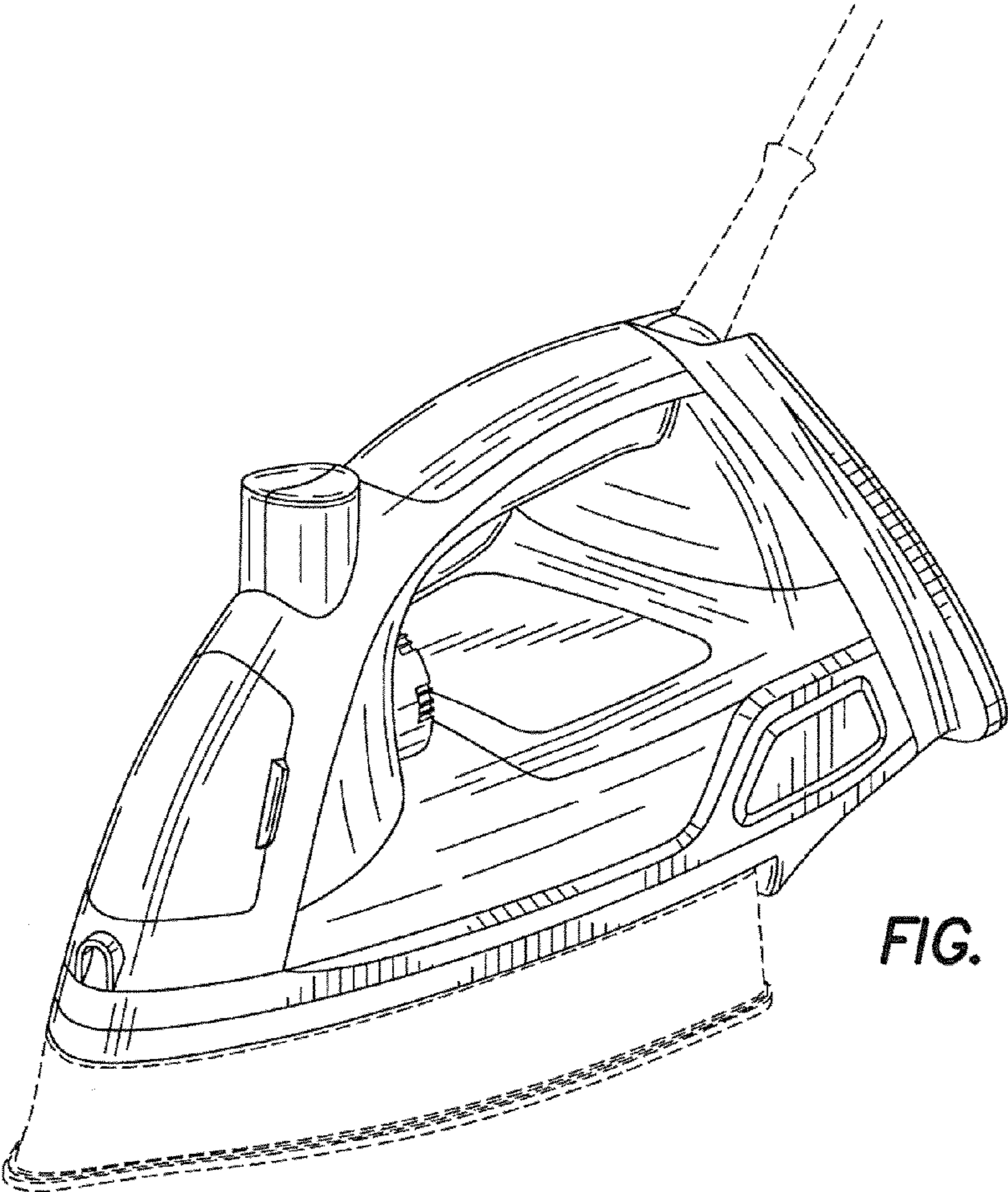


FIG. 1

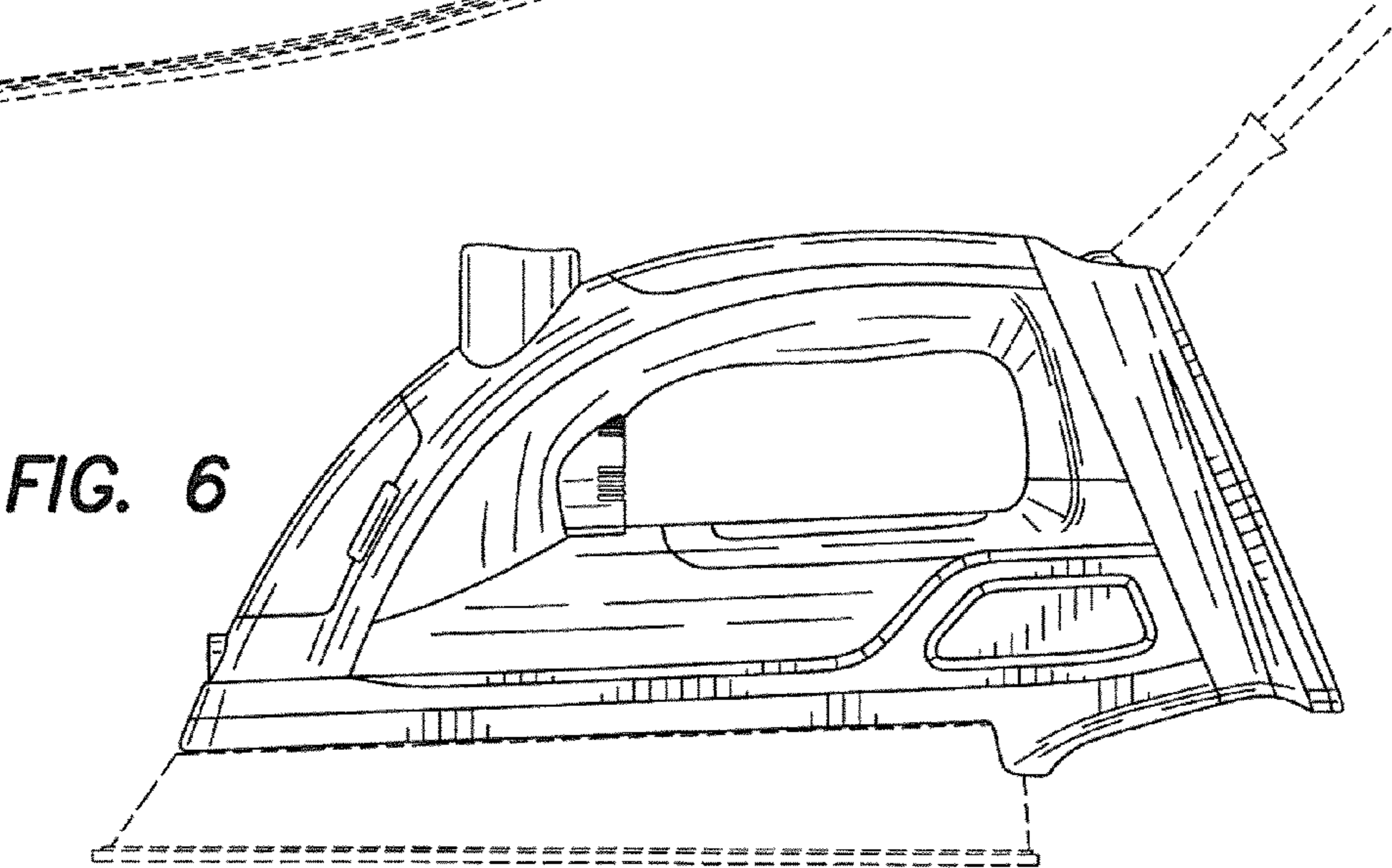


FIG. 6

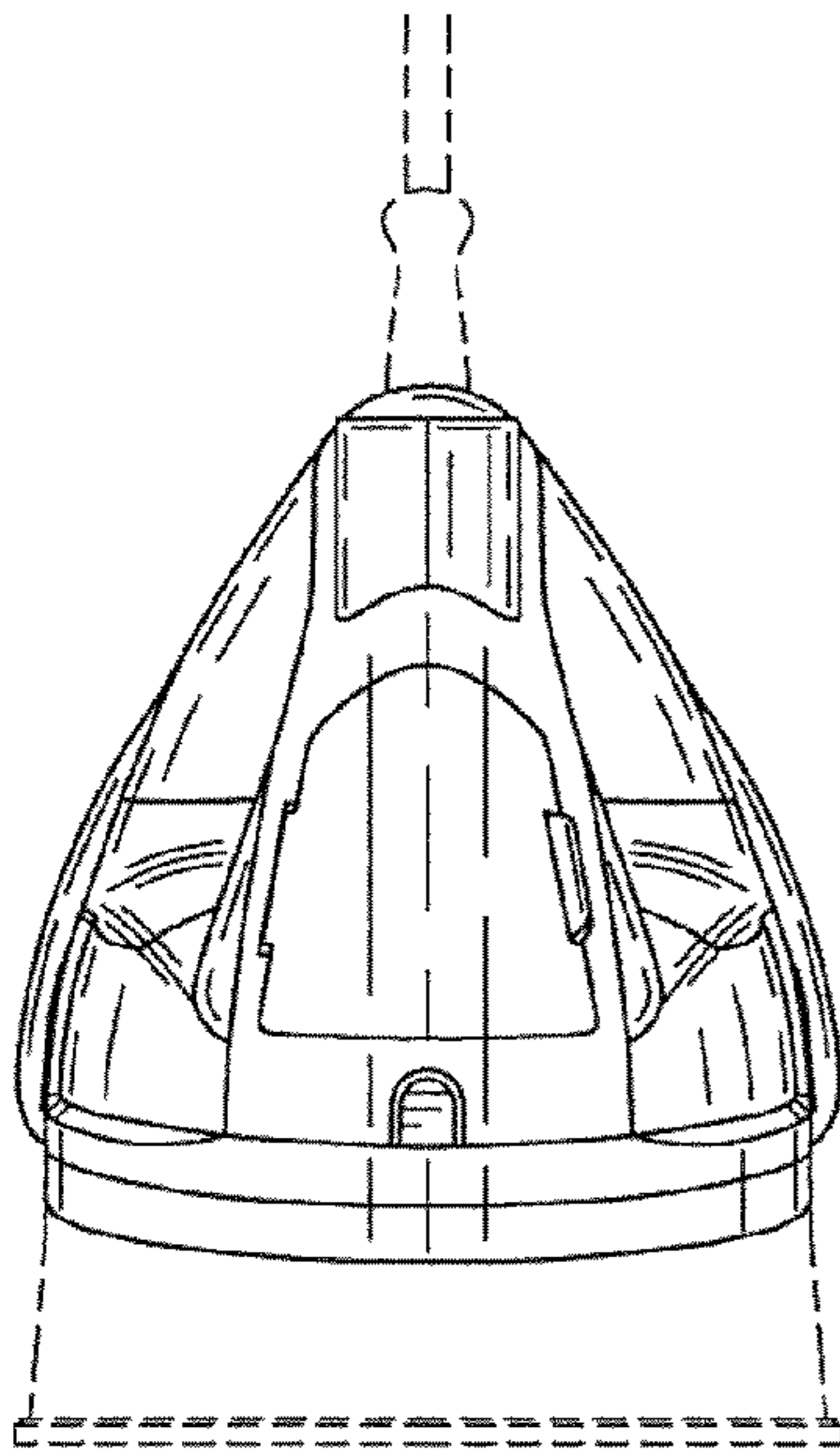


FIG. 2

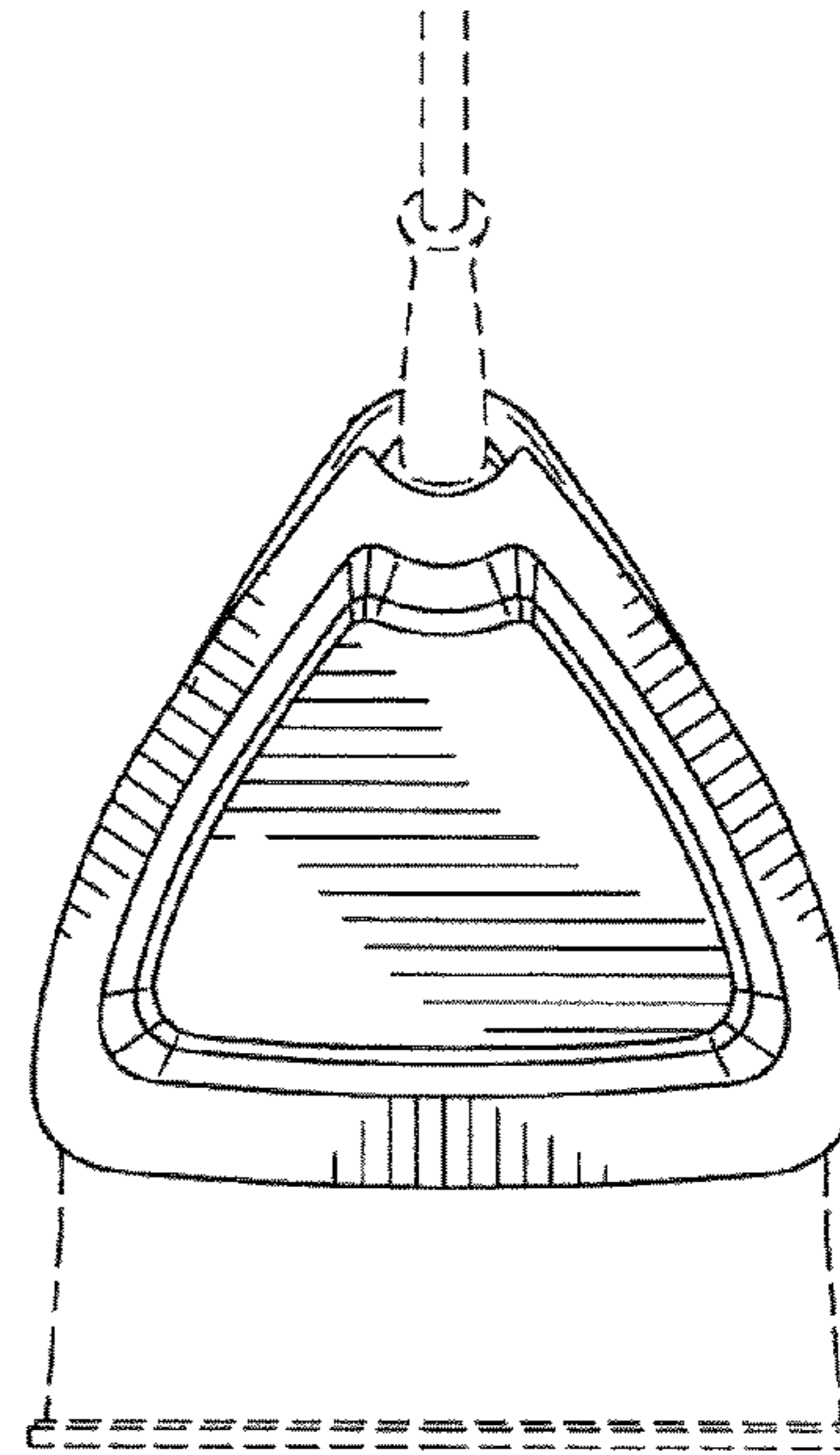


FIG. 3

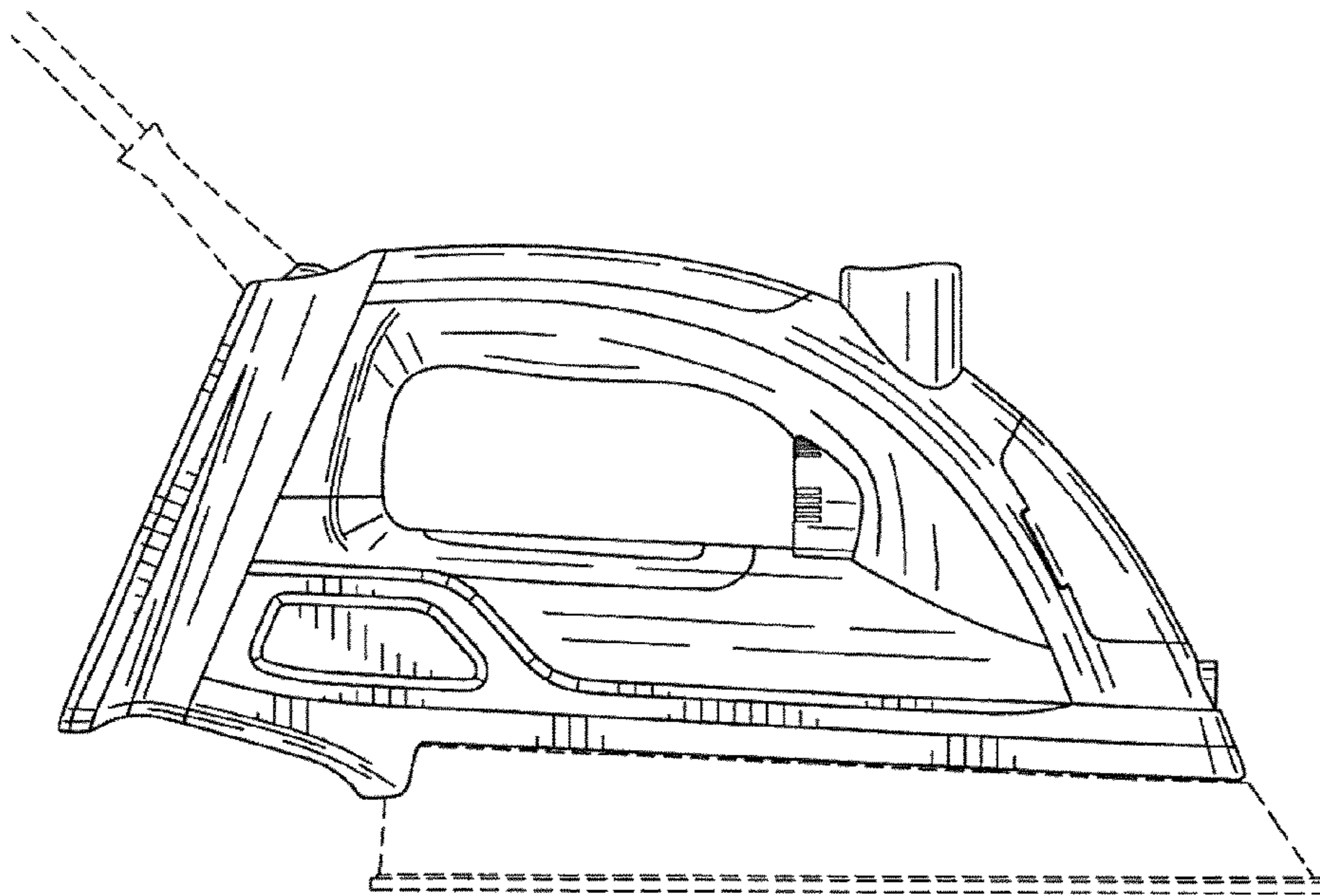


FIG. 7

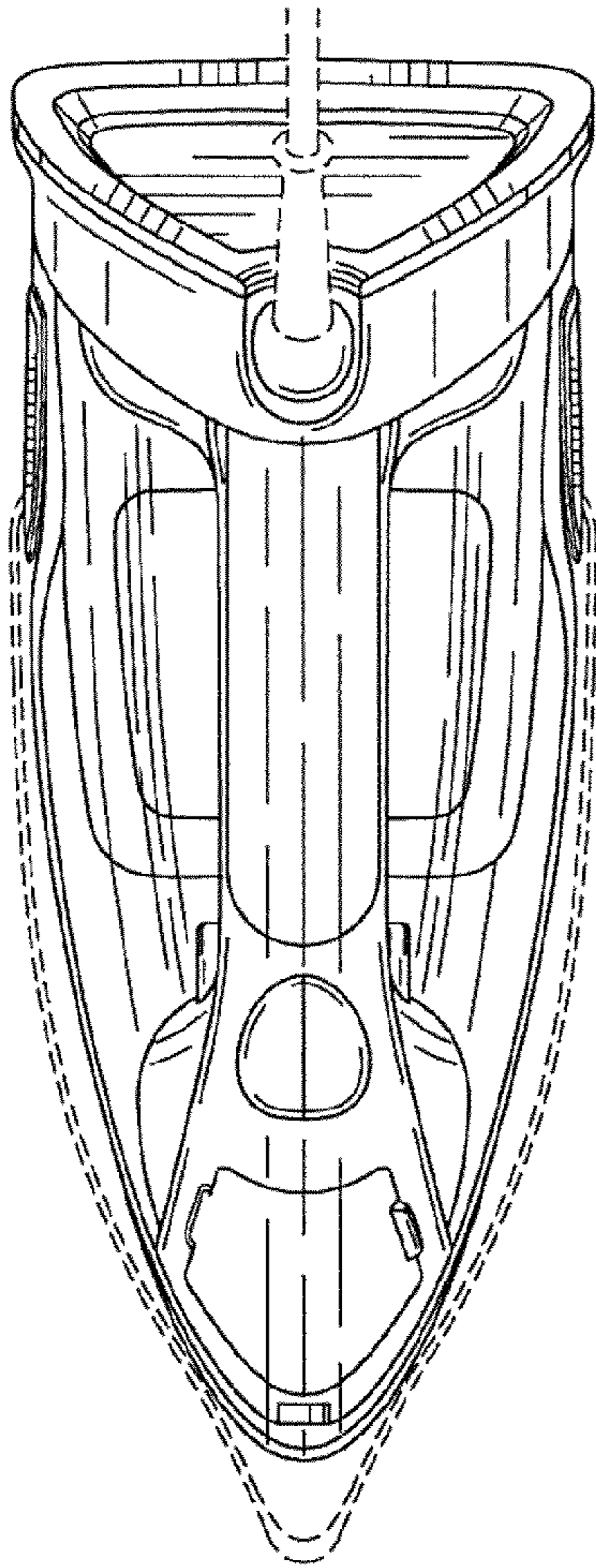


FIG. 4

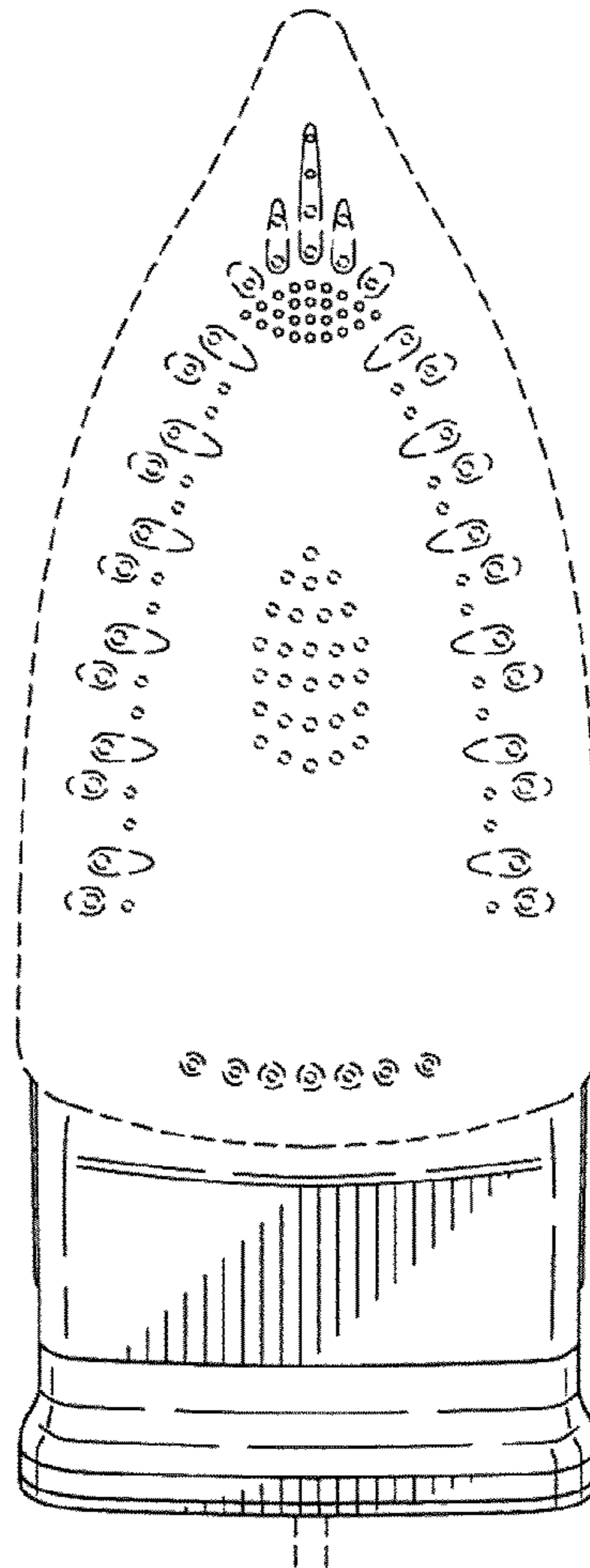


FIG. 5