



US00D676208S

(12) **United States Design Patent**
Singleton

(10) **Patent No.:** **US D676,208 S**

(45) **Date of Patent:** **** Feb. 12, 2013**

(54) **ABSORPTIVE BATH PAD**

(76) Inventor: **Gregg A. Singleton**, Sandy, UT (US)

(**) Term: **14 Years**

(21) Appl. No.: **29/420,131**

(22) Filed: **May 4, 2012**

(51) **LOC (9) Cl.** **04-01**

(52) **U.S. Cl.** **D32/40**

(58) **Field of Classification Search** D32/40-46;
15/245, 245.1, 236.01, 209, 209.1, 244.1-244.4;
D28/8

See application file for complete search history.

(56) **References Cited**

U.S. PATENT DOCUMENTS

2,717,406	A *	9/1955	Herman et al.	15/244.1
D181,211	S *	10/1957	Lindstrom	D32/50
2,899,698	A *	8/1959	Vaughn	15/244.1
D554,309	S *	10/2007	Wolk et al.	D32/40
7,644,467	B2 *	1/2010	Kleinhammer	15/235.7
D623,371	S *	9/2010	Li	D32/40
D641,527	S *	7/2011	Regnier et al.	D32/40

* cited by examiner

Primary Examiner — Robin V Webster

(74) *Attorney, Agent, or Firm* — Thorpe North & Western LLP

(57) **CLAIM**

The ornamental design for an absorptive bath pad, as shown and described herein.

DESCRIPTION

FIG. 1 is a perspective view, taken from a top front elevation, of an absorptive bath pad;

FIG. 2 is a top plan view of an absorptive bath pad;

FIG. 3 is a bottom plan view of an absorptive bath pad;

FIG. 4 is a back plan view of an absorptive bath pad;

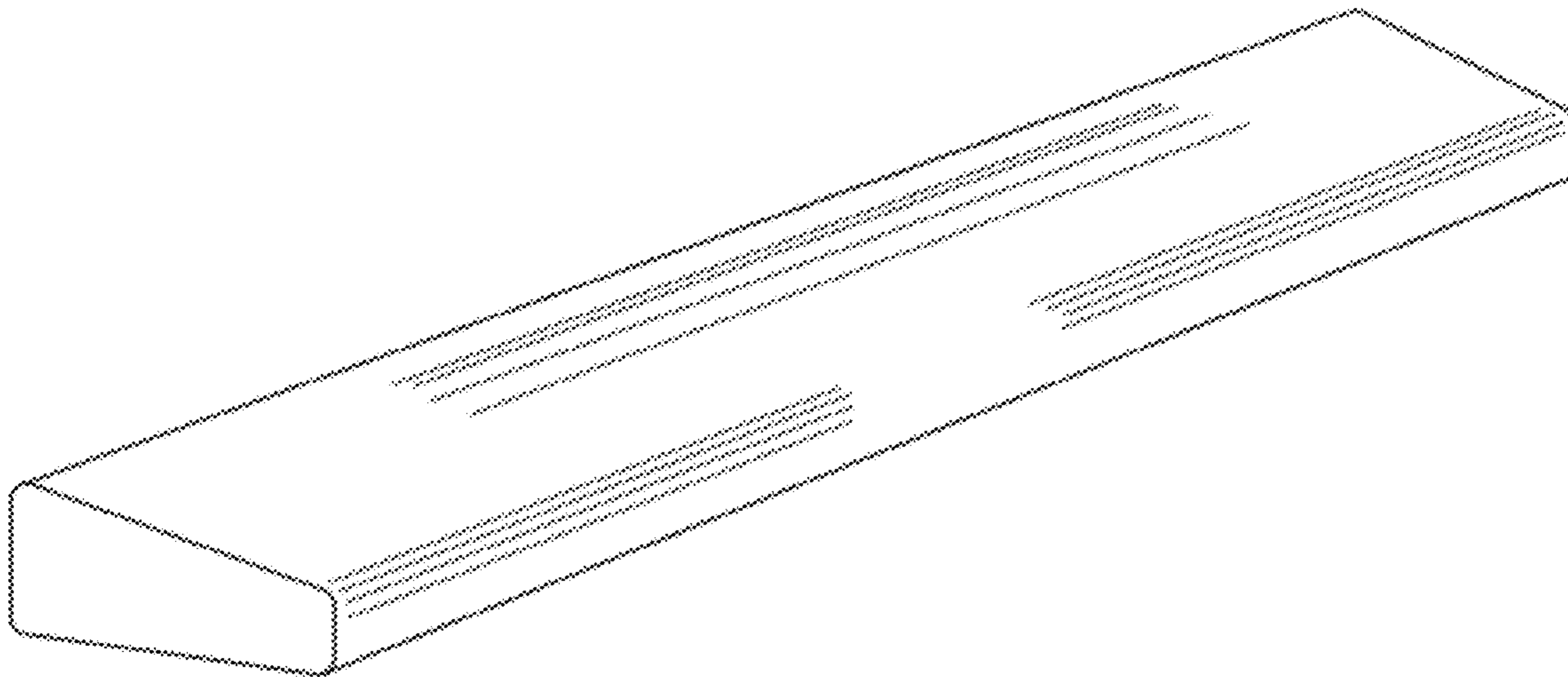
FIG. 5 is a front plan view of an absorptive bath pad;

FIG. 6 is a left side plan view of an absorptive bath; and,

FIG. 7 is a right side plan view of an absorptive bath pad.

It is noted that the surface markings are provided for clarity of the shape of the design, but do not indicate the use of any specific type of surface material. Additionally, dotted lines are use in FIG. 3, which indicate a functional structure that is not part of the claimed design.

1 Claim, 2 Drawing Sheets



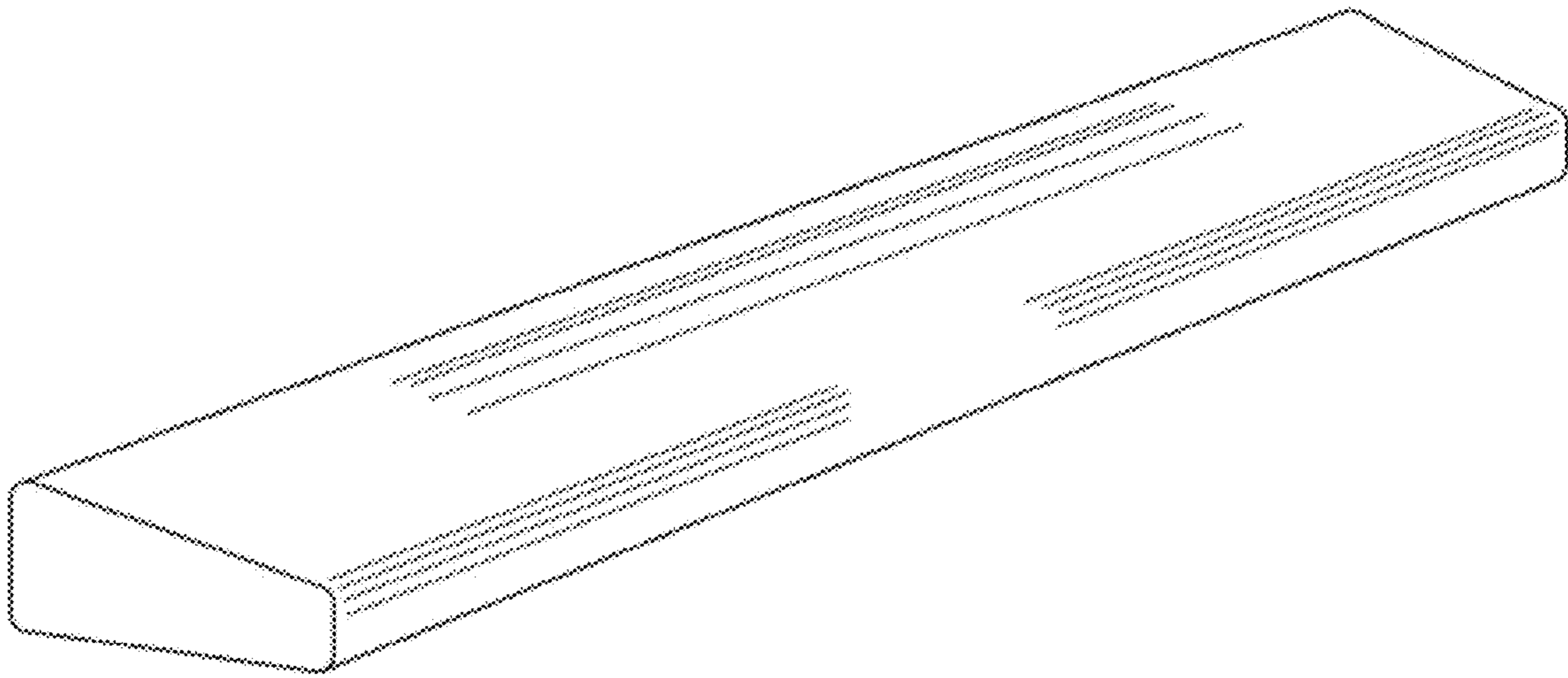


FIG. 1

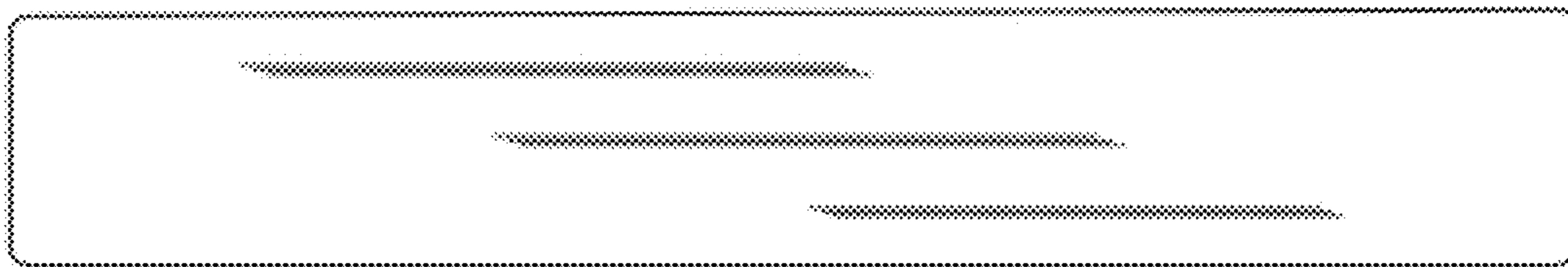


FIG. 2

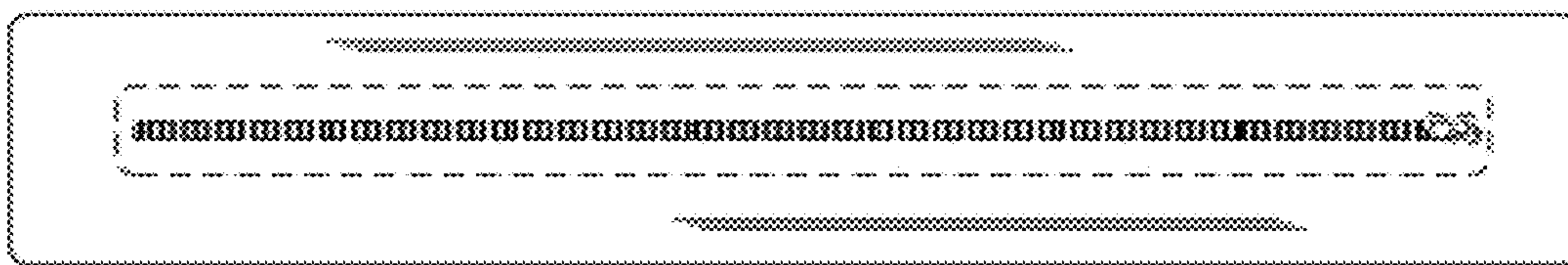


FIG. 3

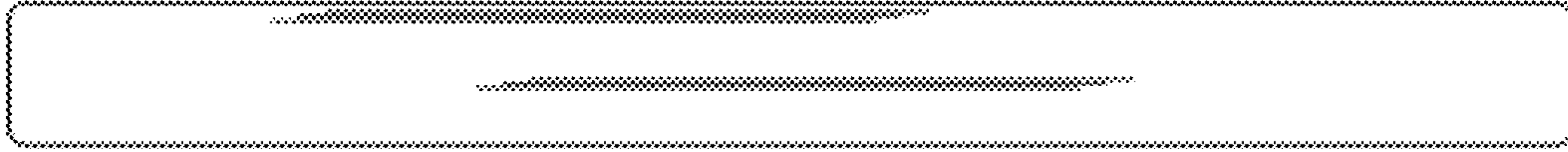


FIG. 4



FIG. 5



FIG. 6

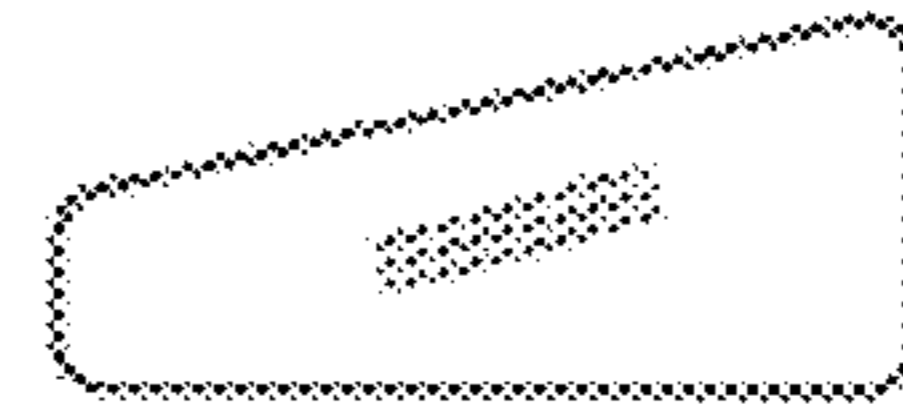


FIG. 7