



US00D676207S

(12) **United States Design Patent**
Gottschall et al.

(10) **Patent No.:** **US D676,207 S**

(45) **Date of Patent:** **** Feb. 12, 2013**

(54) **VACUUM CLEANER**

(75) Inventors: **Jason Gottschall**, South Williamsport, PA (US); **John Griffin**, Phoenix, AZ (US); **Robert L. Crevling, Jr.**, Williamsport, PA (US)

(73) Assignee: **Shop Vac Corporation**, Williamsport, PA (US)

(**) Term: **14 Years**

(21) Appl. No.: **29/428,594**

(22) Filed: **Aug. 1, 2012**

(51) **LOC (9) Cl.** **15-05**

(52) **U.S. Cl.** **D32/31**

(58) **Field of Classification Search** D32/18, D32/21, 23-24, 31; 15/319-321, 353, 347, 15/327.1-327.2, 327.4, 327.6-327.7, 329, 15/340.2; 55/DIG. 3, 375

See application file for complete search history.

(56) **References Cited**

U.S. PATENT DOCUMENTS

D429,042 S *	8/2000	Griffin et al.	D32/23
D447,844 S *	9/2001	Griffin	D32/31
D507,386 S *	7/2005	Griffin et al.	D32/21
D527,504 S *	8/2006	Griffin et al.	D32/21
D528,255 S *	9/2006	Griffin et al.	D32/21

D568,564 S *	5/2008	Griffin et al.	D32/31
D581,114 S *	11/2008	Crevling et al.	D32/23
D587,414 S *	2/2009	Griffin et al.	D32/31
D588,761 S *	3/2009	Griffin	D32/31
D591,467 S *	4/2009	Griffin et al.	D32/23
D599,968 S *	9/2009	Crevling et al.	D32/23
D631,216 S *	1/2011	Crevling et al.	D32/31
D634,084 S *	3/2011	Griffin et al.	D32/31
D640,024 S *	6/2011	Crevling et al.	D32/31
D644,801 S *	9/2011	Crevling et al.	D32/31

* cited by examiner

Primary Examiner — Ruth McInroy

(74) *Attorney, Agent, or Firm* — Marshall, Gerstein & Borun LLP

(57) **CLAIM**

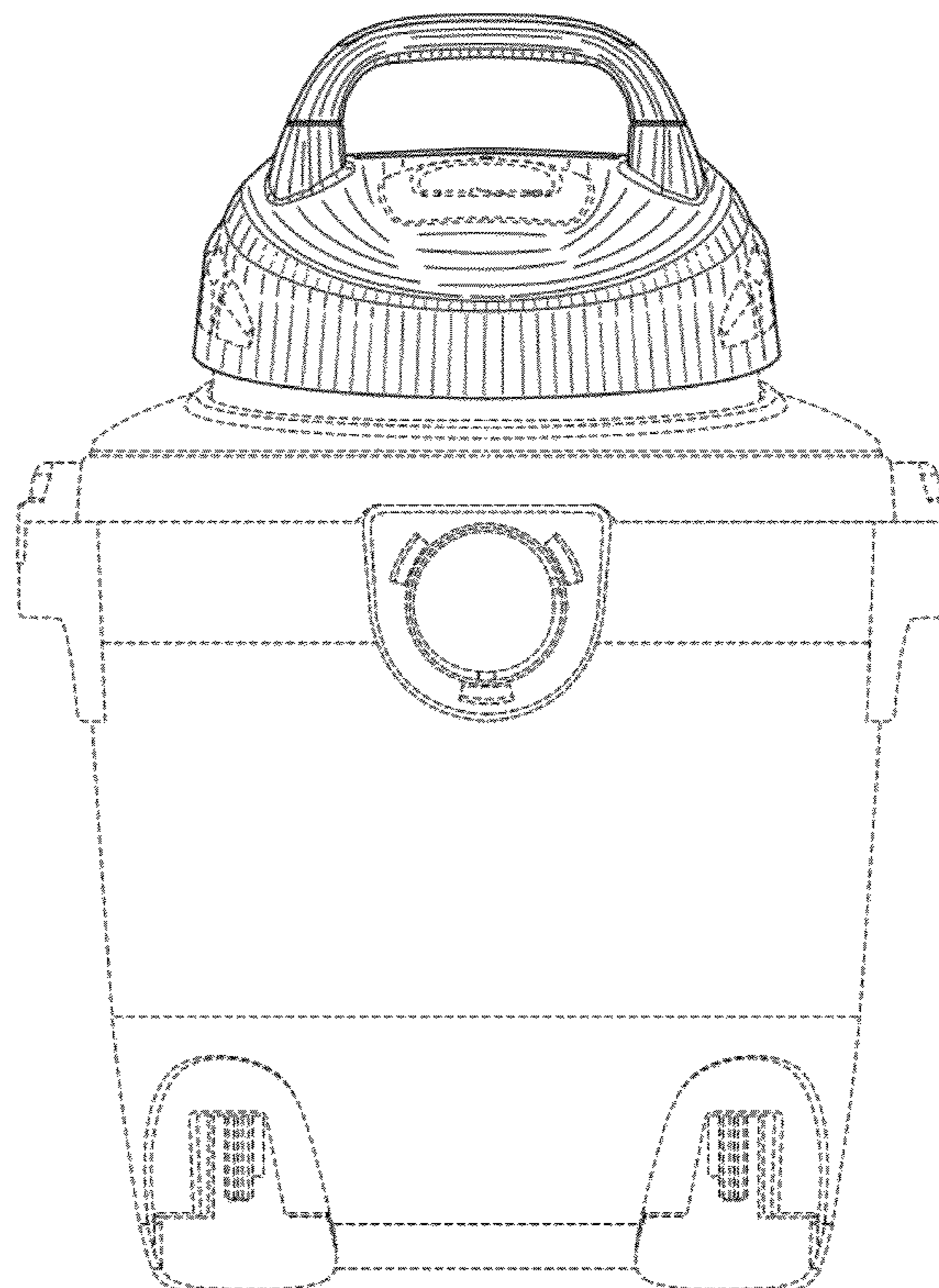
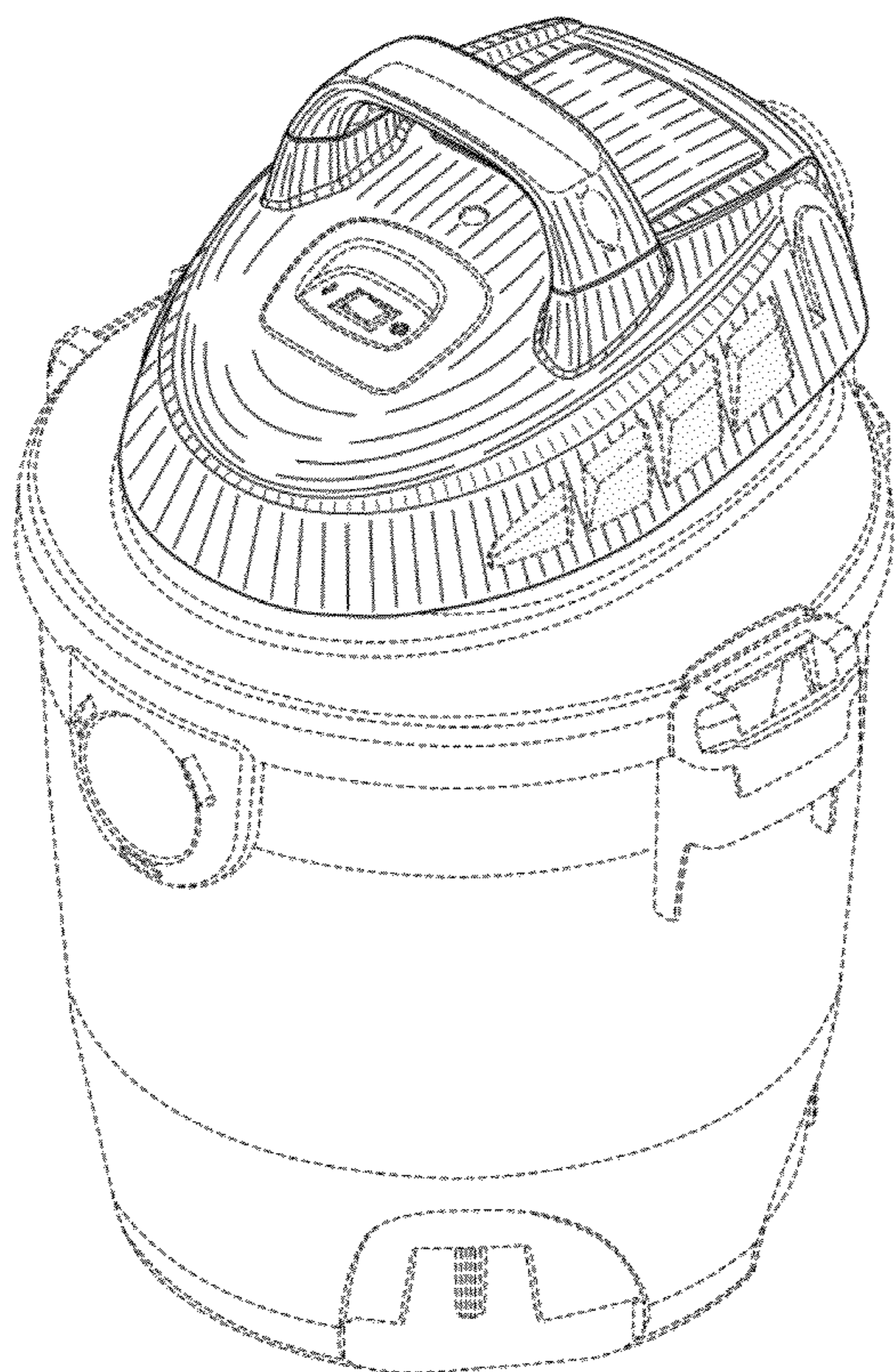
The ornamental design for a vacuum cleaner, as shown and described.

DESCRIPTION

FIG. 1 is a top, front and side perspective view of a vacuum cleaner showing our new design; FIG. 2 is a front elevation view thereof; FIG. 3 is a right side elevation view thereof; FIG. 4 is a rear elevation view thereof; FIG. 5 is a left side elevation view thereof; and, FIG. 6 is a top plan view thereof.

The details shown in broken lines form no part of the claimed design.

1 Claim, 6 Drawing Sheets



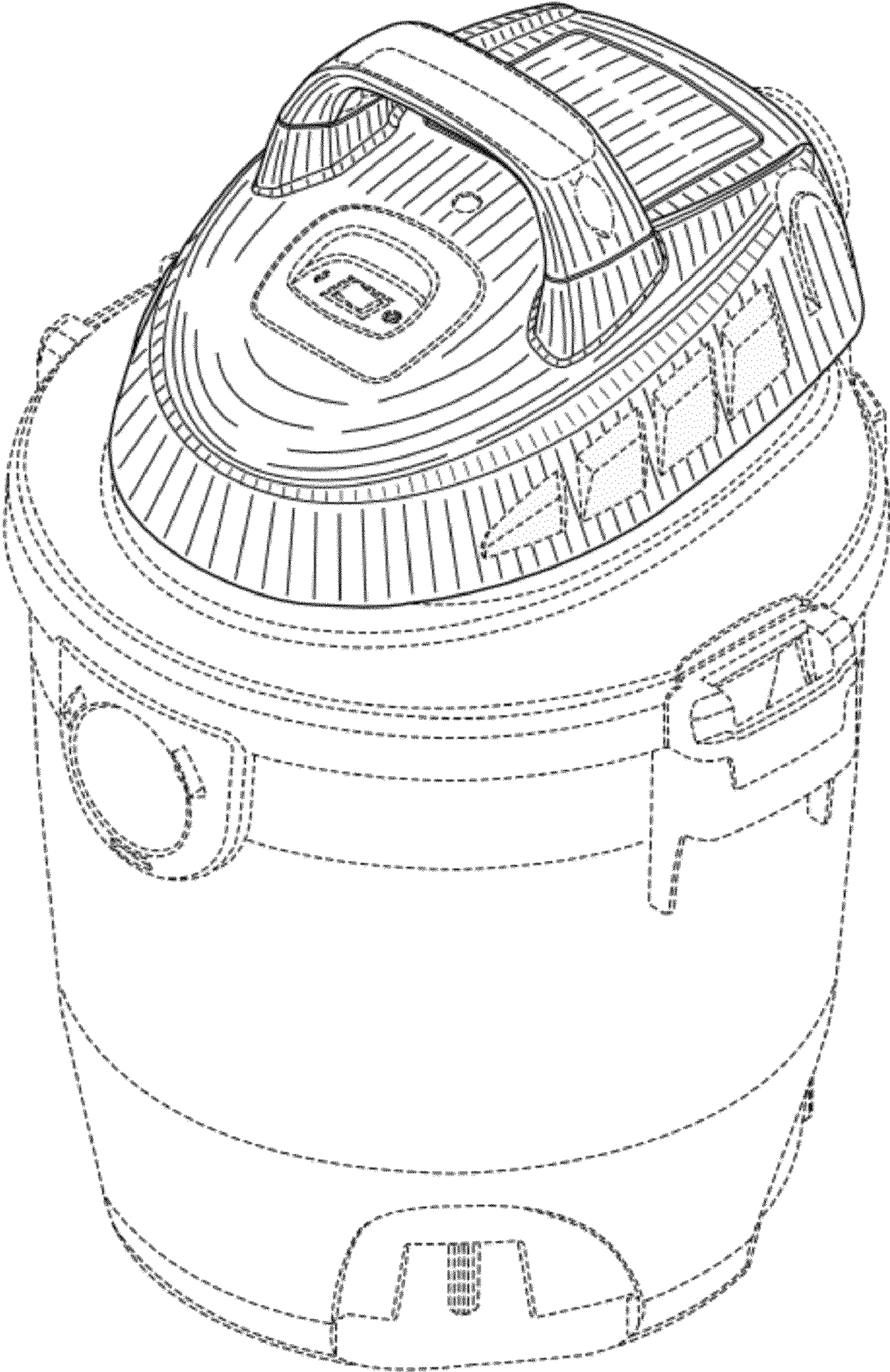


FIG. 1

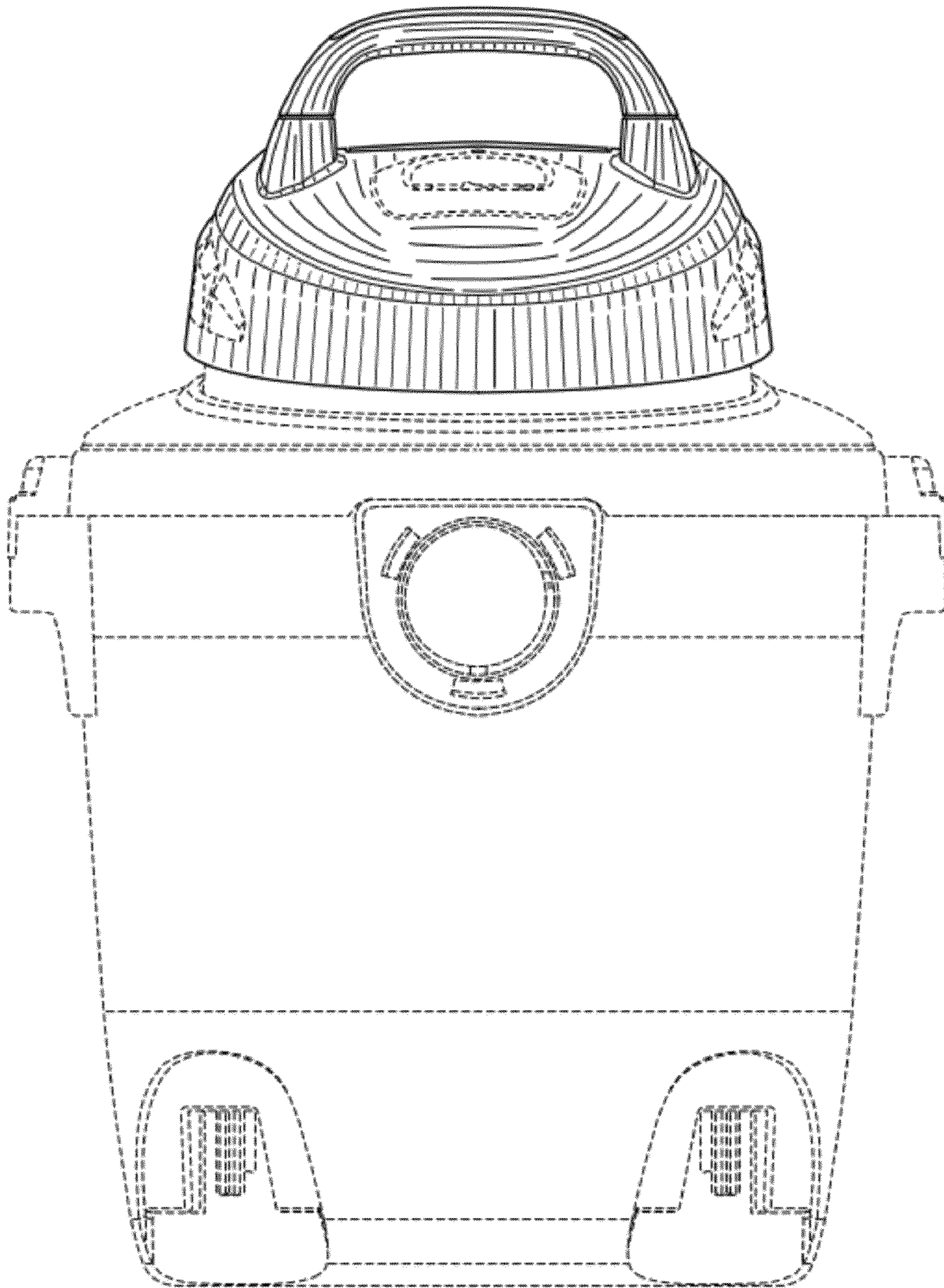


FIG. 2

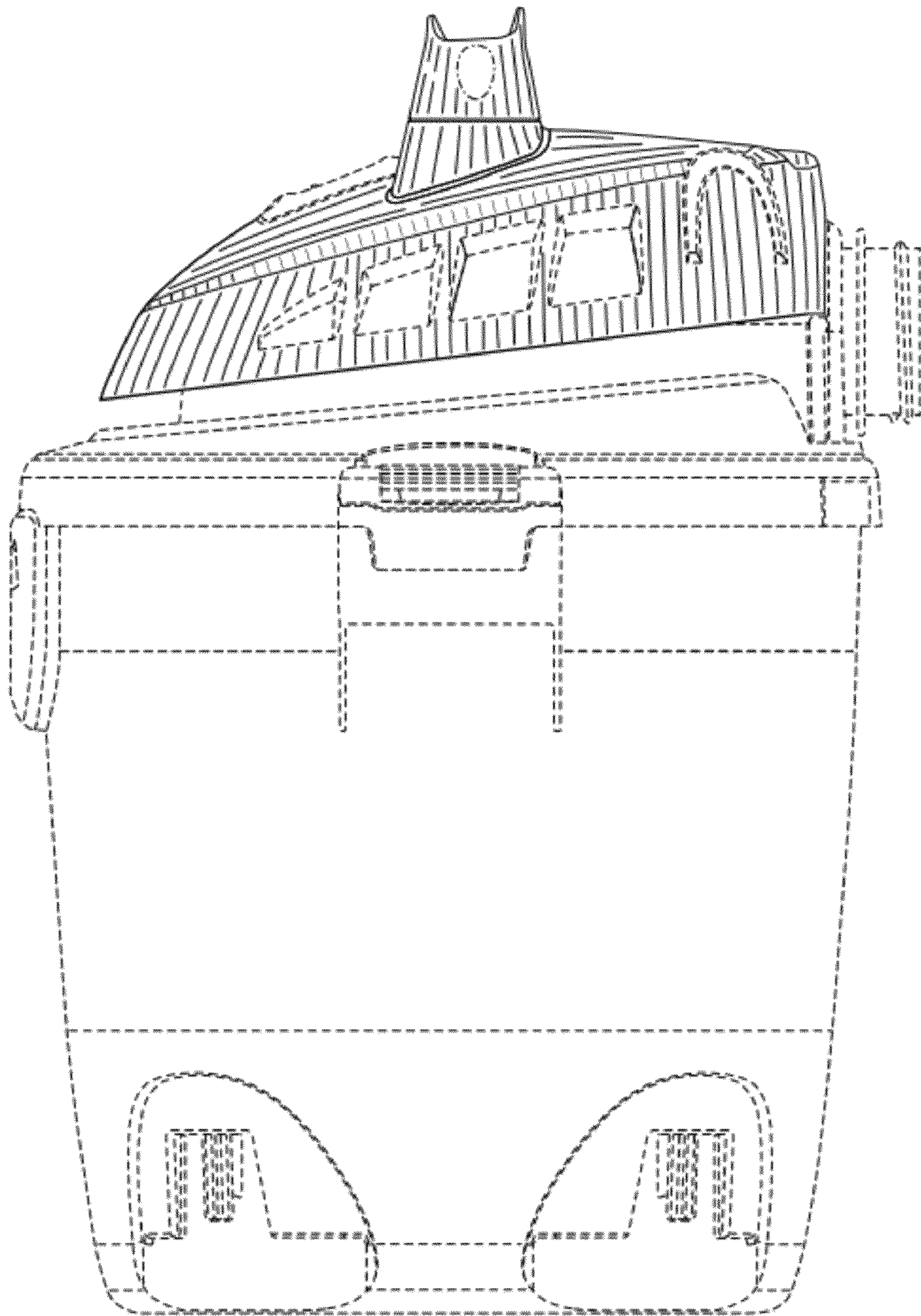


FIG. 3

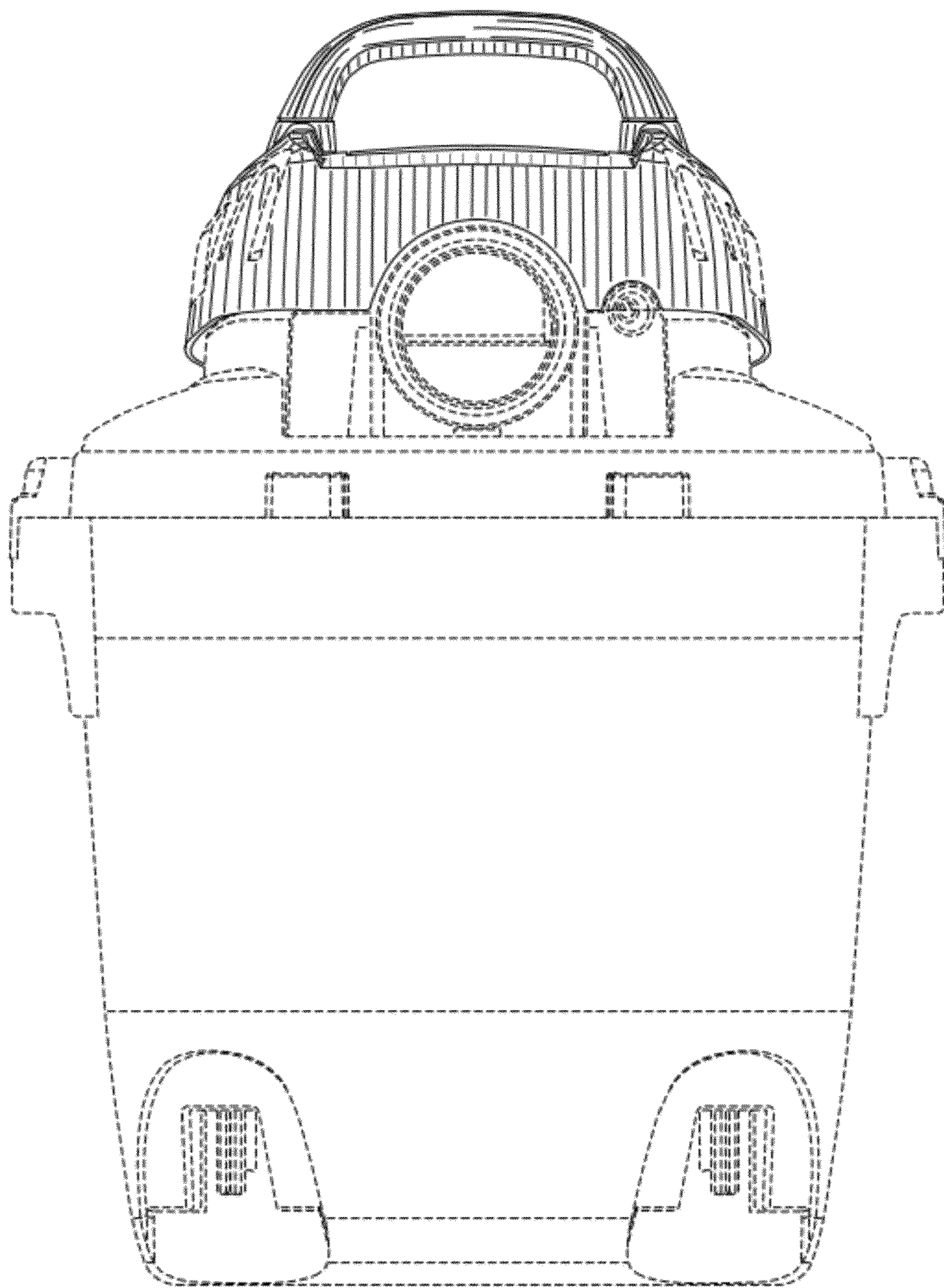


FIG. 4

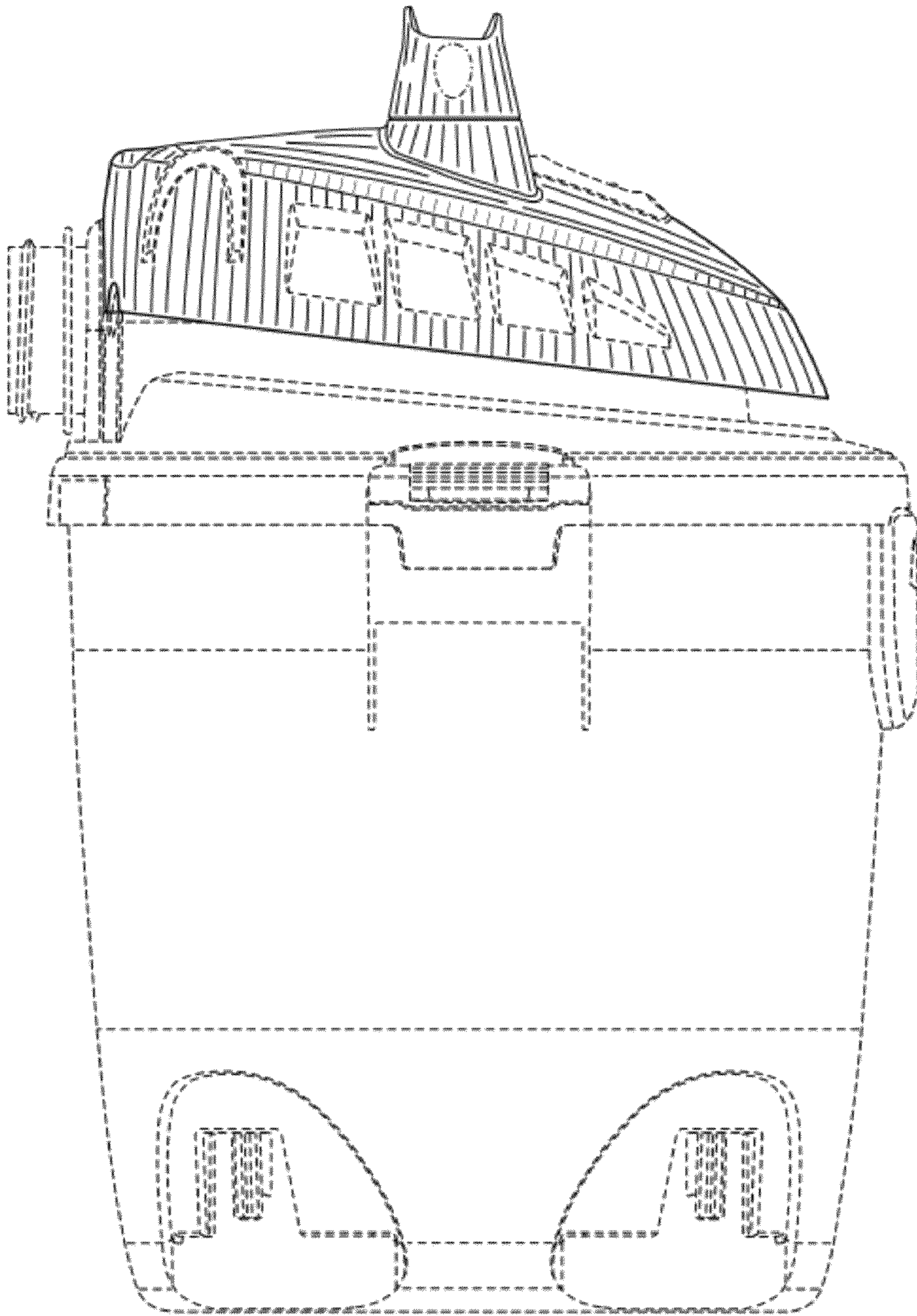


FIG. 5

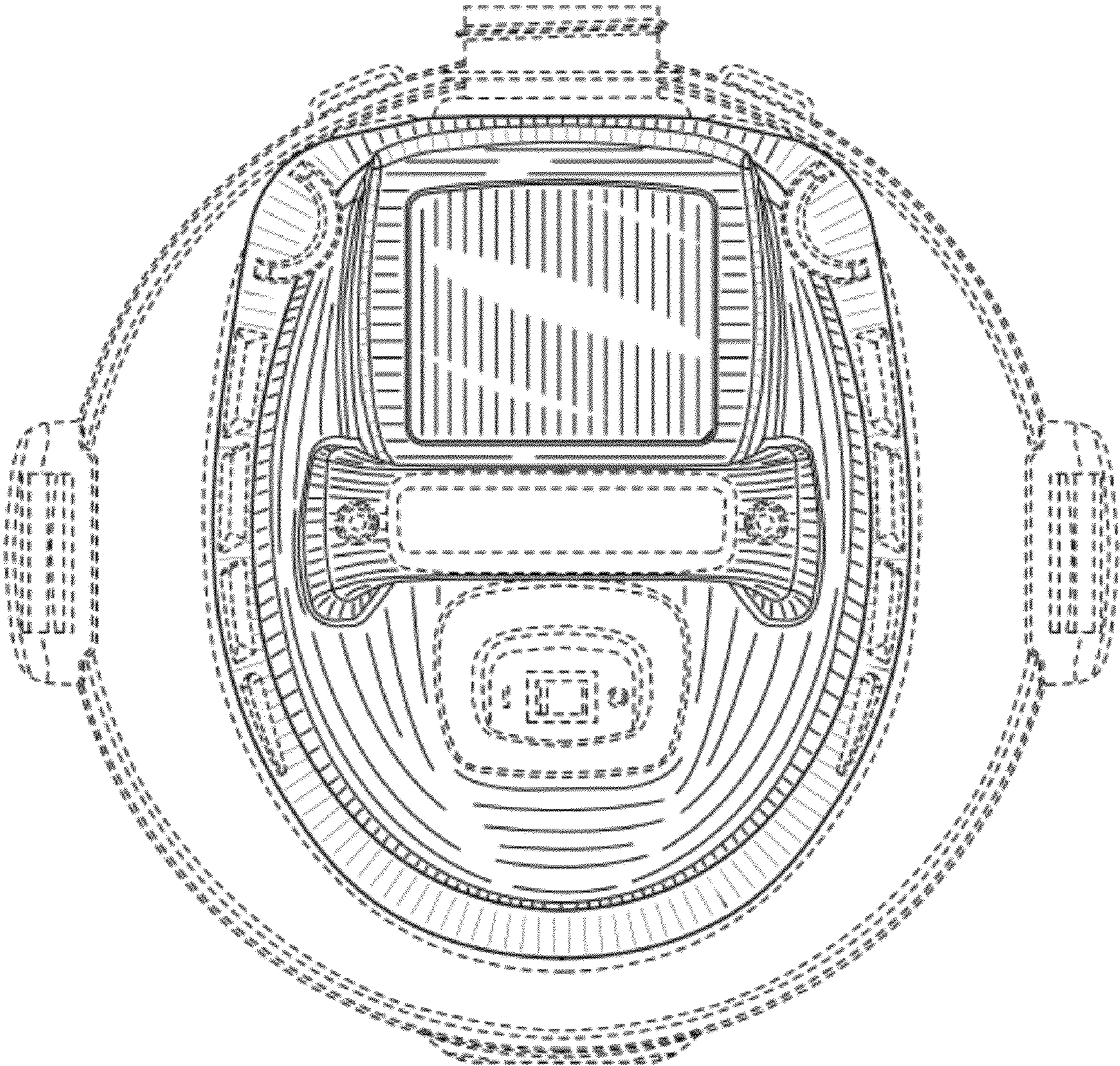


FIG. 6