



US00D676200S

(12) **United States Design Patent**  
**Yiu**

(10) **Patent No.:** **US D676,200 S**  
(45) **Date of Patent:** **\*\* Feb. 12, 2013**

(54) **COSMETIC DEVICE**  
(75) Inventor: **Wai Wah Yiu**, Kowloon (HK)  
(73) Assignee: **Forstar Limited**, Kowloon (HK)  
(\*\*) Term: **14 Years**  
(21) Appl. No.: **29/386,882**  
(22) Filed: **Mar. 4, 2011**

6,824,546	B1	11/2004	Yiu	
D499,842	S	12/2004	Yiu	
D509,626	S	9/2005	Yiu	
D556,380	S	11/2007	Long	
D581,596	S *	11/2008	Sarway	..... D28/59
D598,165	S	8/2009	Platek	
7,581,545	B1	9/2009	Moldawski et al.	
7,597,696	B2	10/2009	Poran	
D611,198	S	3/2010	Platek	
D626,693	S	11/2010	Harbeke	
D628,744	S	12/2010	Goetschi	
D638,166	S *	5/2011	Martinez de San Vicente	..... D28/10
D645,204	S	9/2011	Platek	
2005/0187563	A1	8/2005	Yiu	
2006/0260629	A1 *	11/2006	Chern	..... 132/73.6
2008/0187563	A1	8/2008	Levy	
2009/0182349	A1	7/2009	Poran	
2009/0301507	A1 *	12/2009	Tes et al.	..... 132/73.6

(30) **Foreign Application Priority Data**  
Oct. 29, 2010 (CN) ..... 2010 3 0582522  
(51) **LOC (9) Cl.** ..... **28-03**  
(52) **U.S. Cl.** ..... **D28/58; D28/51; D28/53; D28/59;**  
**D24/133; D24/146**  
(58) **Field of Classification Search** ..... 132/73,  
132/73.5-73.6, 75.3, 75.6, 75.8, 76.4-76.5;  
D28/56-59, 49-54; 30/43.92, 34.1, 26; D24/146,  
D24/133; 606/131-134; 607/88  
See application file for complete search history.

\* cited by examiner  
*Primary Examiner* — Jennifer Rivard  
(74) *Attorney, Agent, or Firm* — Foley & Lardner LLP

(57) **CLAIM**  
I claim the ornamental design for a cosmetic device, as shown and described.

(56) **References Cited**

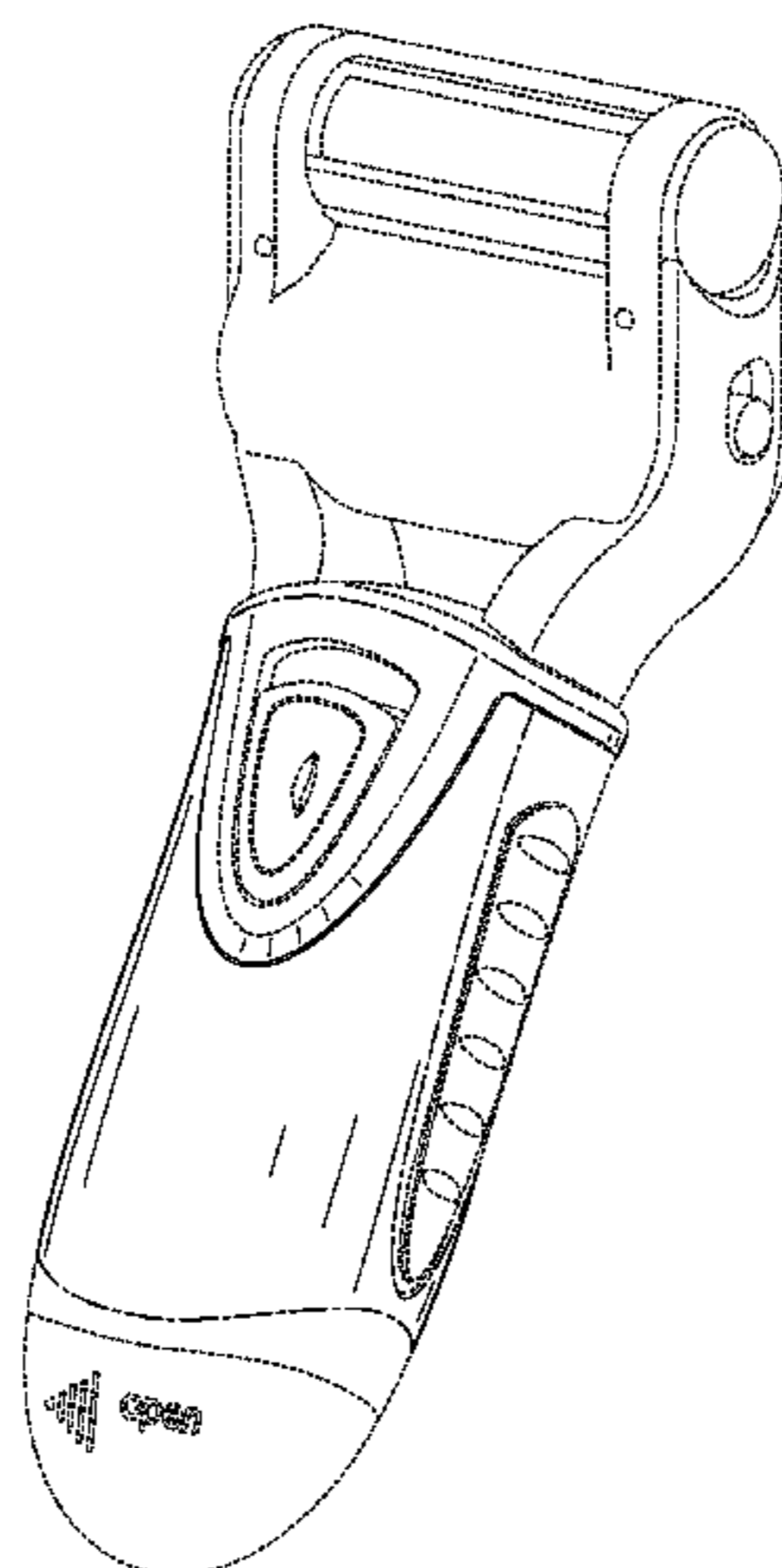
U.S. PATENT DOCUMENTS

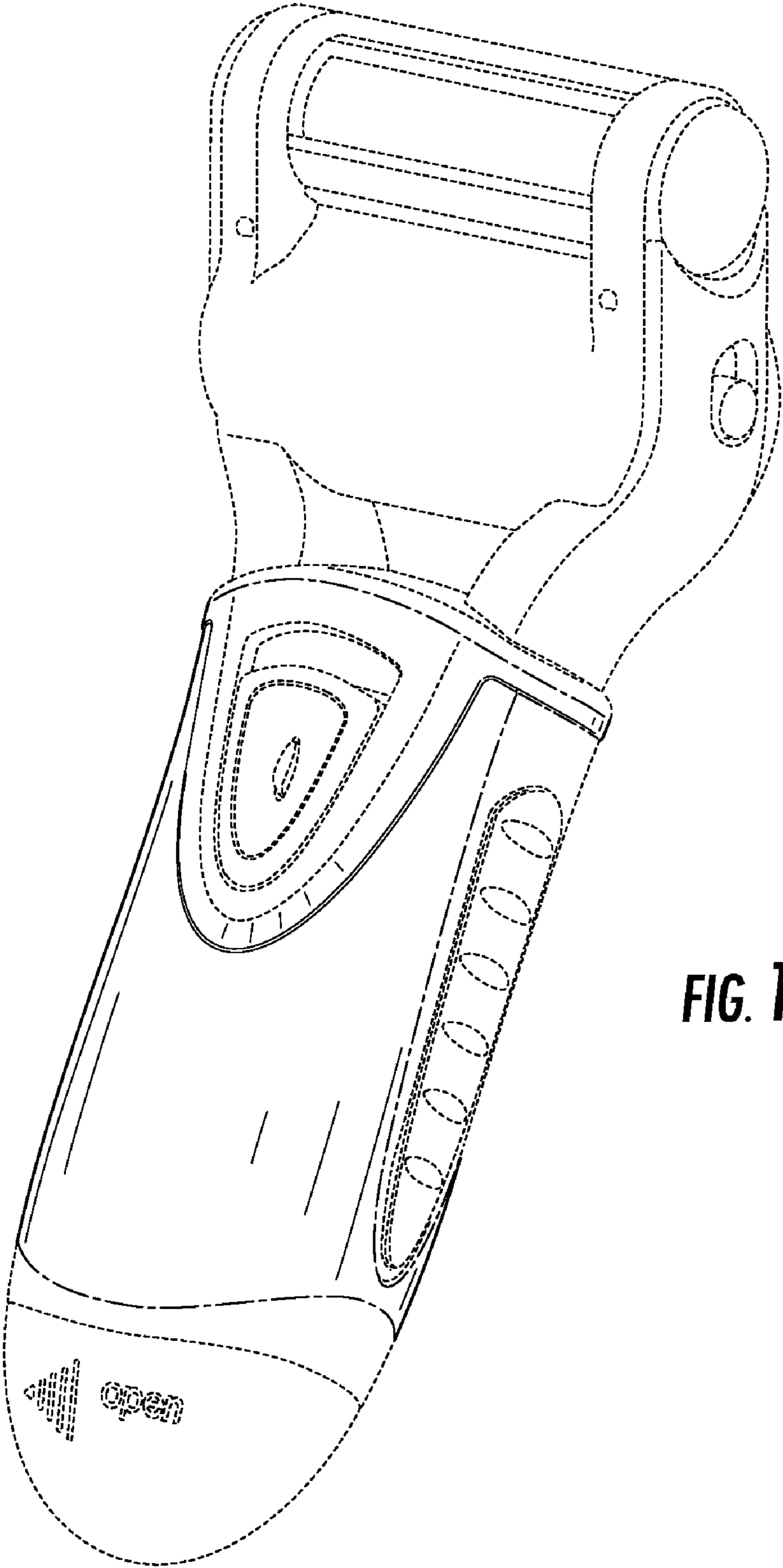
1,482,837	A	2/1924	Buck	
2,867,214	A	1/1959	Wilson	
2,936,768	A *	5/1960	Chamberlain	..... 132/73.6
3,581,393	A *	6/1971	Yager	..... 30/61
4,935,184	A	6/1990	Sorensen	
5,033,485	A *	7/1991	Hauerwas et al.	..... 132/73.6
5,281,233	A	1/1994	Dolev	
5,377,699	A	1/1995	Varnum	
5,383,273	A *	1/1995	Muller et al.	..... 30/43.92
D409,335	S *	5/1999	Slater	..... D28/58
5,976,157	A	11/1999	Yiu	
6,123,713	A	9/2000	Yiu	
6,159,222	A	12/2000	Yiu	
6,391,034	B1	5/2002	Adamson et al.	
6,436,106	B2	8/2002	Yiu	
6,471,712	B2	10/2002	Burres	
6,523,546	B2	2/2003	Jo et al.	
6,551,262	B1	4/2003	Lechtman	
6,824,461	B1	11/2004	Dolev	

**DESCRIPTION**

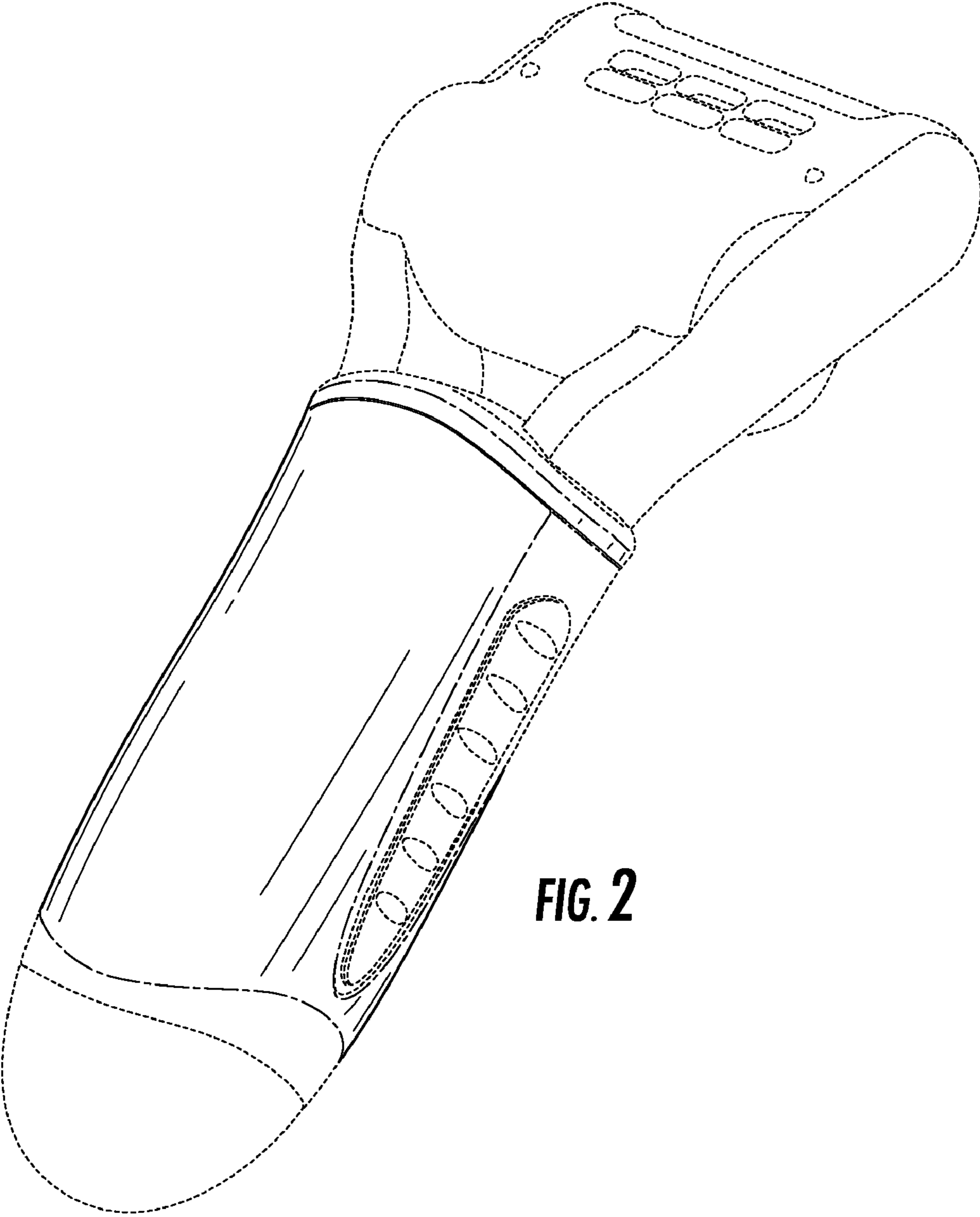
FIG. 1 is a perspective view from above of an embodiment of the claimed design;  
FIG. 2 is a perspective view from below of the claimed design of FIG. 1;  
FIG. 3 is a top view of the claimed design of FIG. 1;  
FIG. 4 is a bottom view of the claimed design of FIG. 1;  
FIG. 5 is a left side view of the claimed design of FIG. 1;  
FIG. 6 is a right side view of the claimed design of FIG. 1;  
FIG. 7 is a front view of the claimed design of FIG. 1; and,  
FIG. 8 is a rear view of the claimed design of FIG. 1.  
The claimed design is shown shaded and in solid lines. The dash-dot broken lines represent the bounds of the claim. The remaining broken lines illustrate portions of the article. None of the broken lines forms part of the claimed design.

**1 Claim, 6 Drawing Sheets**

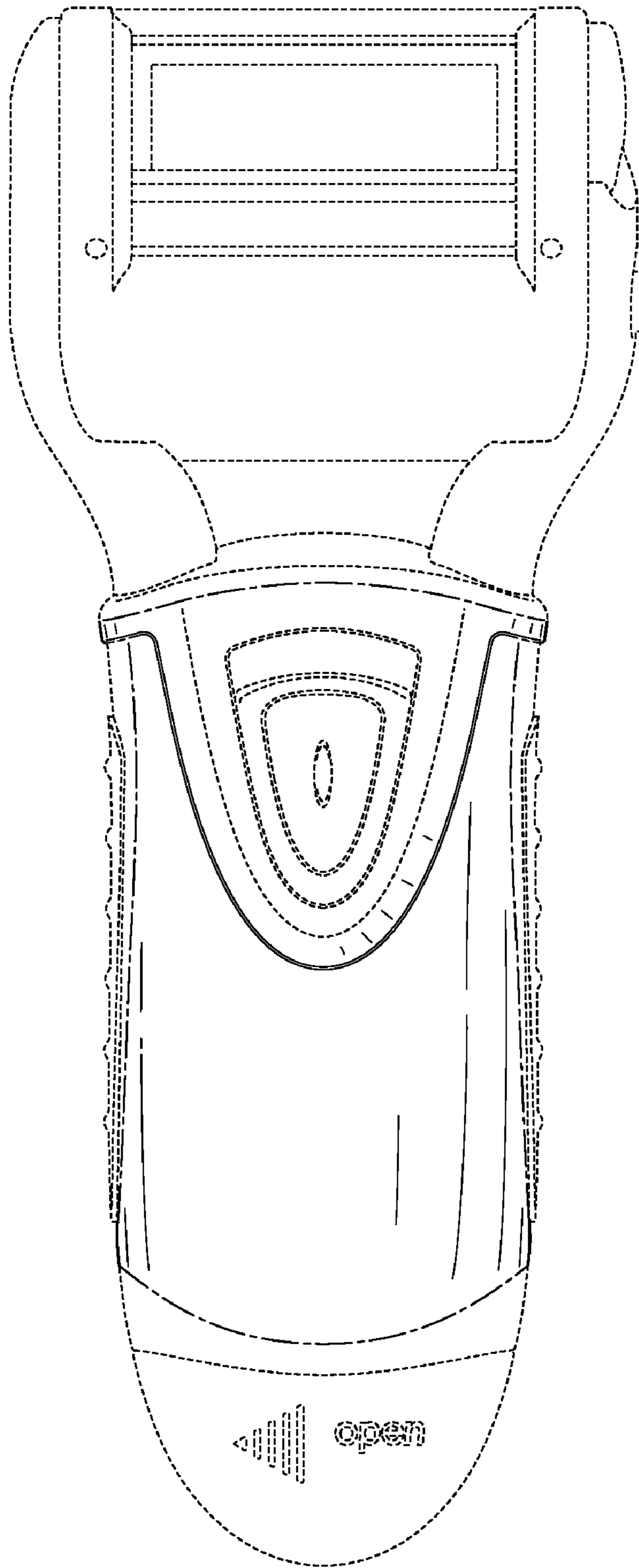




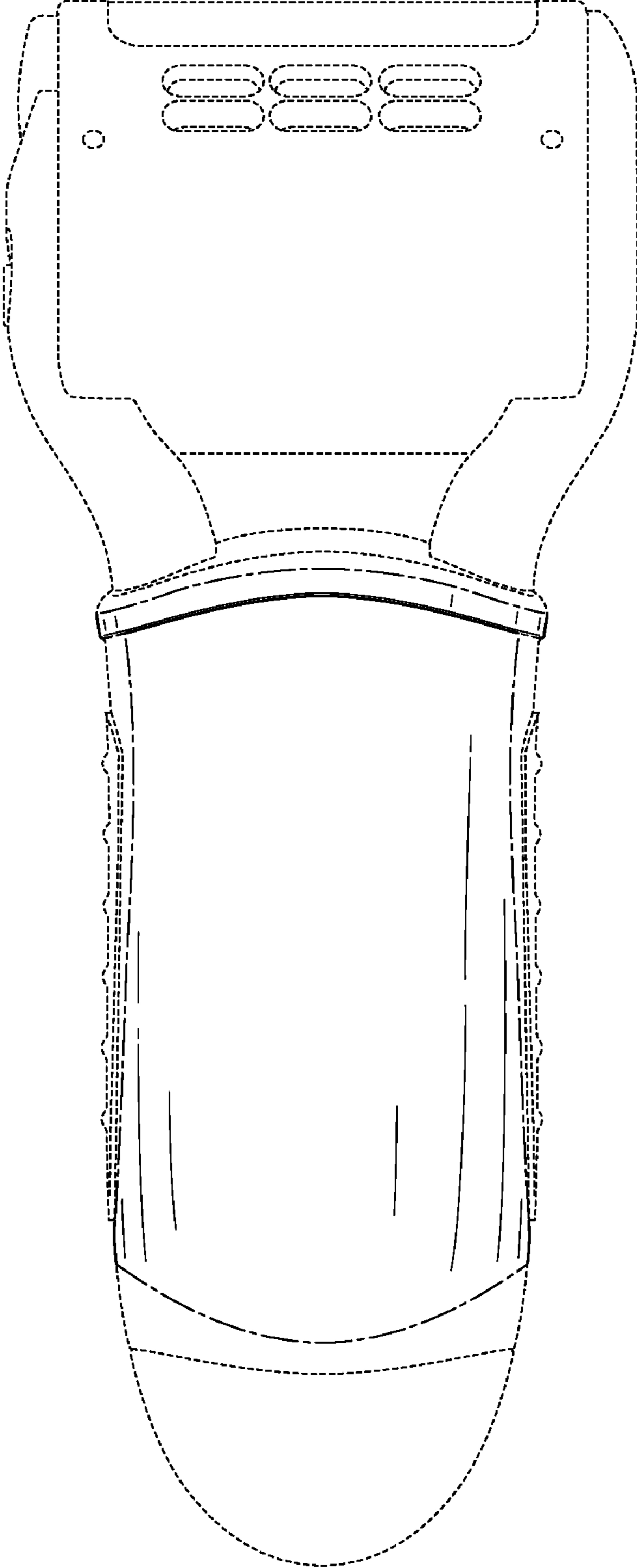
**FIG. 1**



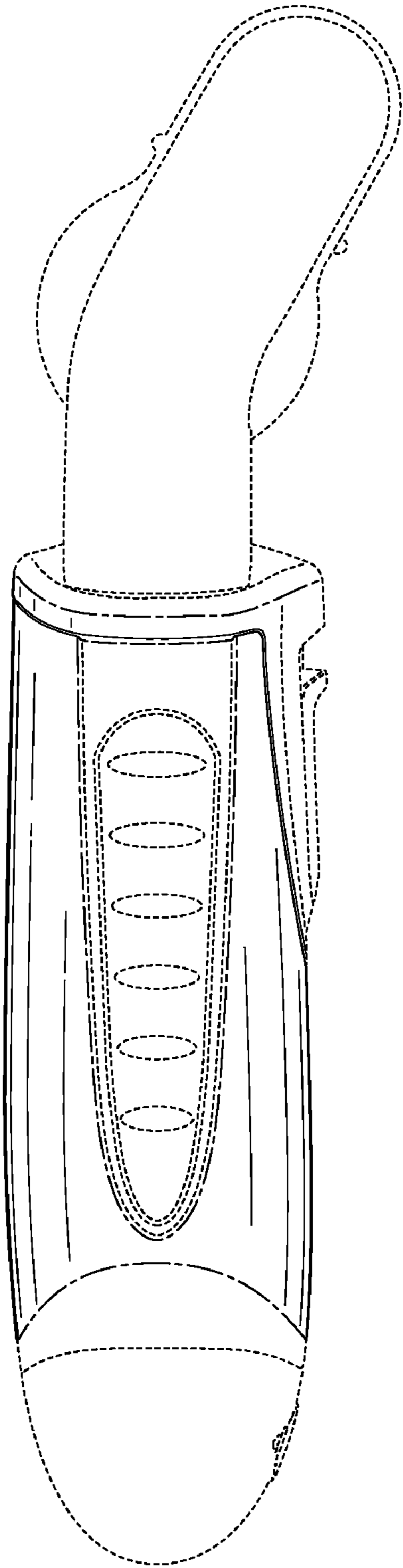
**FIG. 2**



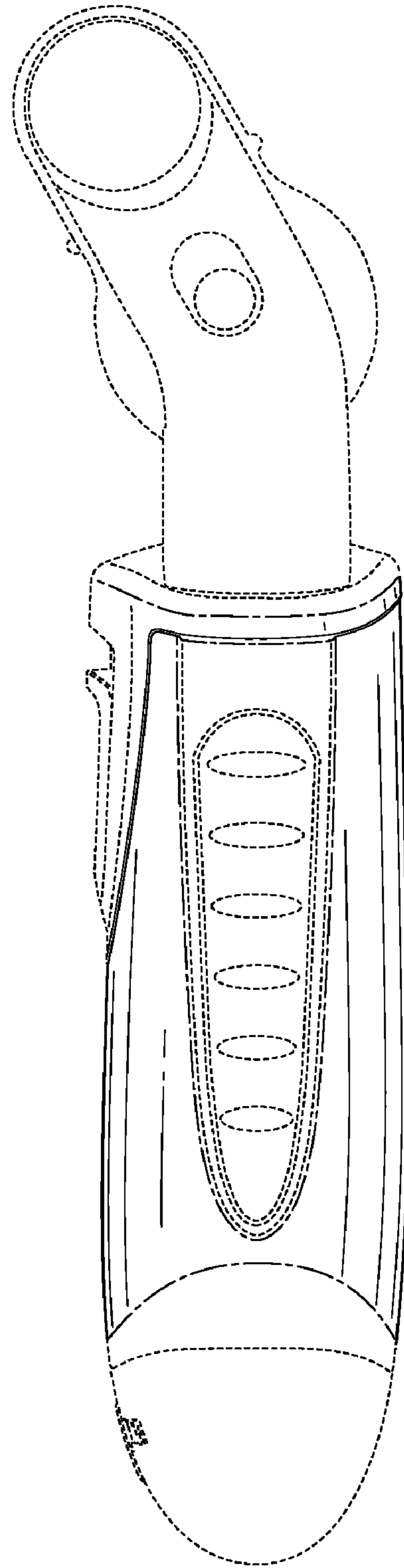
**FIG. 3**



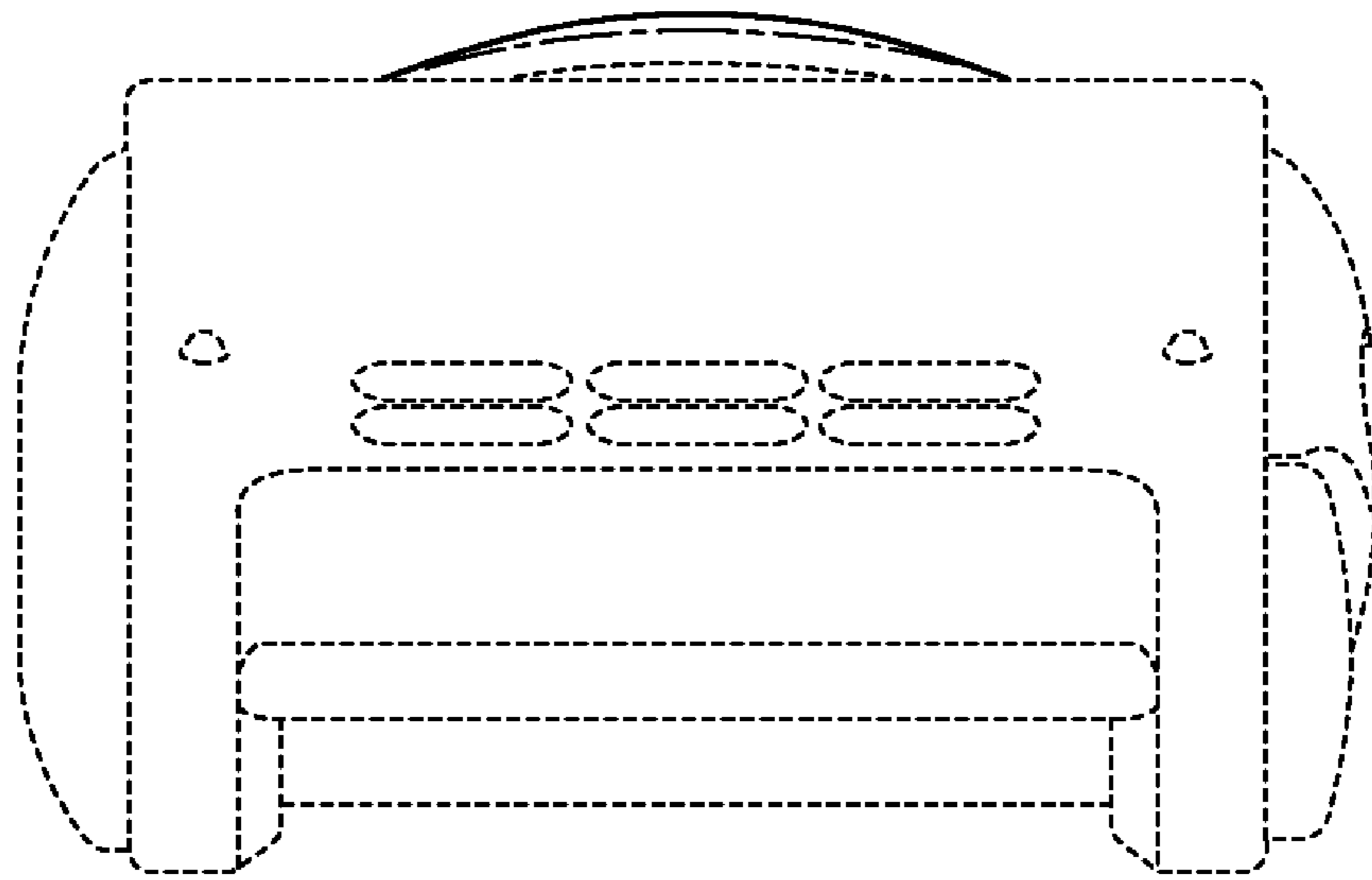
**FIG. 4**



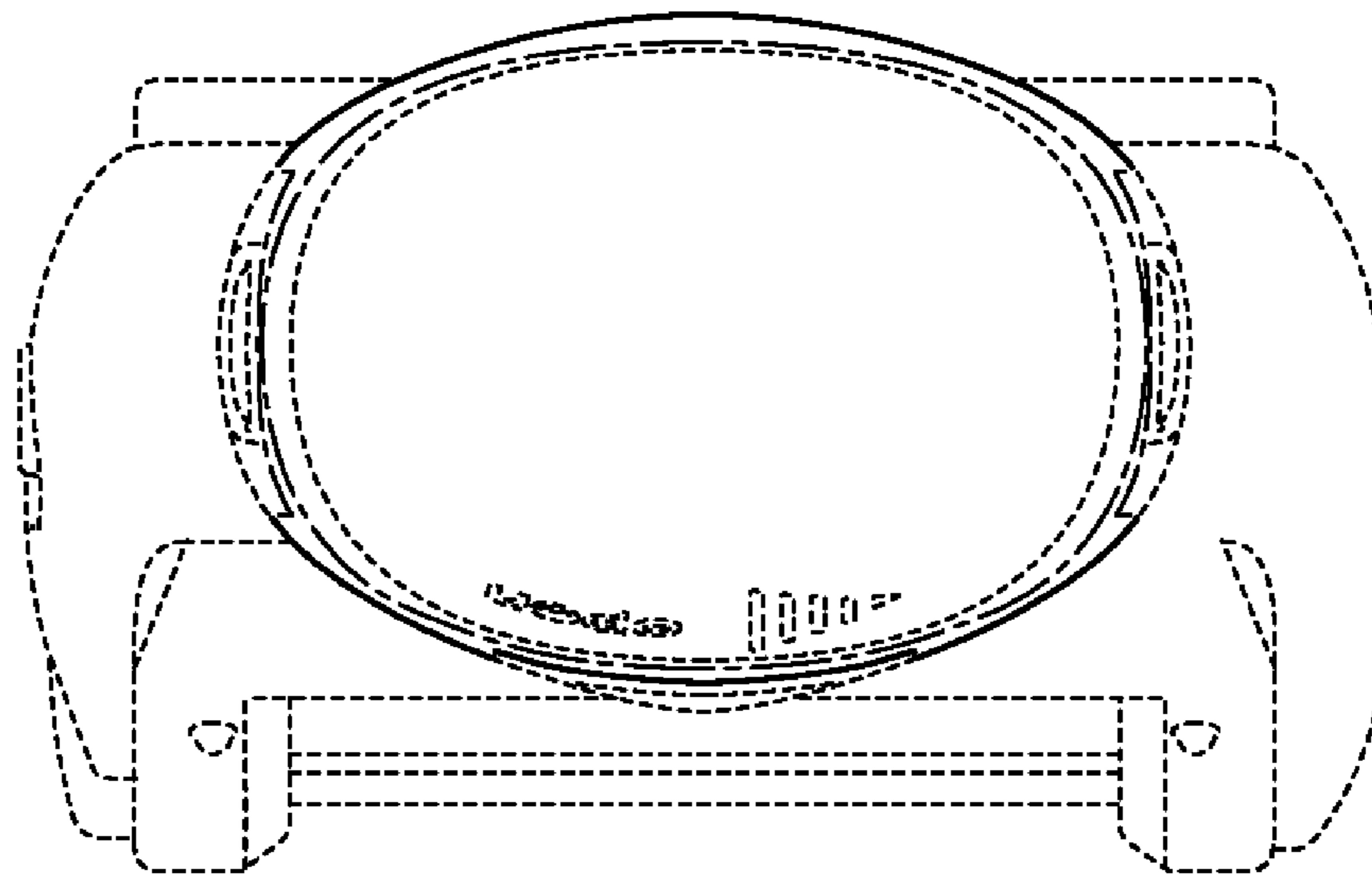
**FIG. 5**



**FIG. 6**



**FIG. 7**



**FIG. 8**