



US00D676199S

(12) **United States Design Patent**  
**Julémont**

(10) **Patent No.:** **US D676,199 S**  
(45) **Date of Patent:** **\*\* Feb. 12, 2013**

(54) **HAIR CLIPPERS**

(75) Inventor: **Pierre Julémont**, Soumagne (BE)

(73) Assignee: **Babyliss Faco SA**, Wandre (BE)

(\*\*) Term: **14 Years**

(21) Appl. No.: **29/404,069**

(22) Filed: **Oct. 14, 2011**

(30) **Foreign Application Priority Data**

Apr. 15, 2011 (EM) ..... 01851957-0001

(51) **LOC (9) Cl.** ..... **28-03**

(52) **U.S. Cl.** ..... **D28/53**

(58) **Field of Classification Search** ..... D28/44-54;  
30/34.1-34.2, 34.05, 32, 41.9, 43-43.92,  
30/47-52, 42-46, 53-55, 57-73, 526-541,  
30/74-84, 195-223, 341, 272.1, 226-227,  
30/231, 233-233.5

See application file for complete search history.

(56) **References Cited**

U.S. PATENT DOCUMENTS

D435,694 S *	12/2000	Lebherz .....	D28/53
D604,907 S *	11/2009	Emminger .....	D28/53
D652,170 S *	1/2012	Snow et al. ....	D28/54
D653,812 S *	2/2012	Julémont .....	D28/53
D655,862 S *	3/2012	Scheunert et al. ....	D28/53

\* cited by examiner

*Primary Examiner* — Jennifer Rivard

(74) *Attorney, Agent, or Firm* — Ladas & Parry LLP

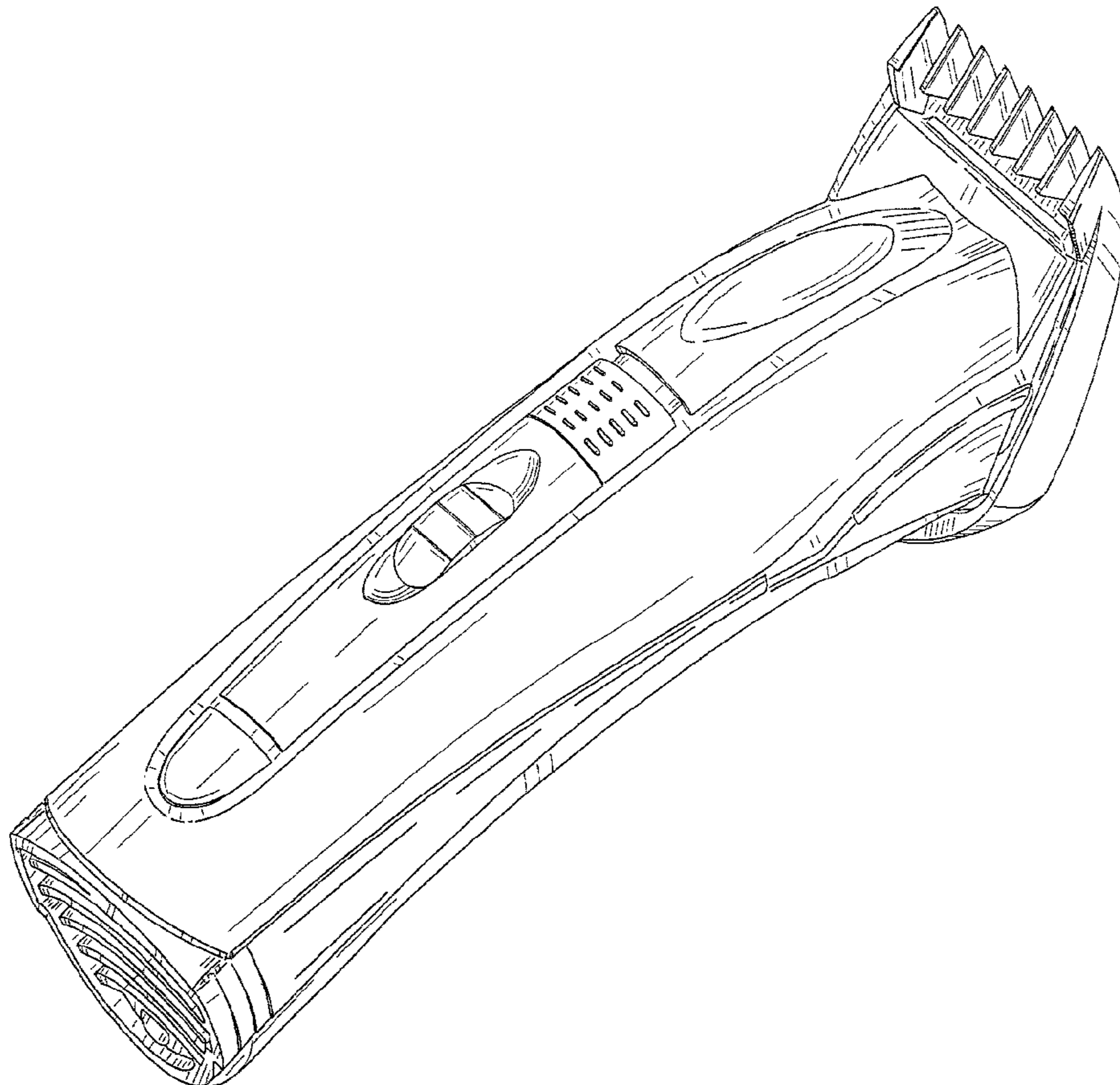
(57) **CLAIM**

The ornamental design for a hair clippers, as shown and described.

**DESCRIPTION**

FIG. 1 is a perspective view from above to the left of the hair clippers, which is the subject of my new design; FIG. 2 is a top plan view thereof; FIG. 3 is a bottom plan view thereof; FIG. 4 is a left side elevational view thereof; FIG. 5 is a right side elevational view thereof; FIG. 6 is a front elevational view thereof; and, FIG. 7 is a rear elevational view thereof.

**1 Claim, 7 Drawing Sheets**



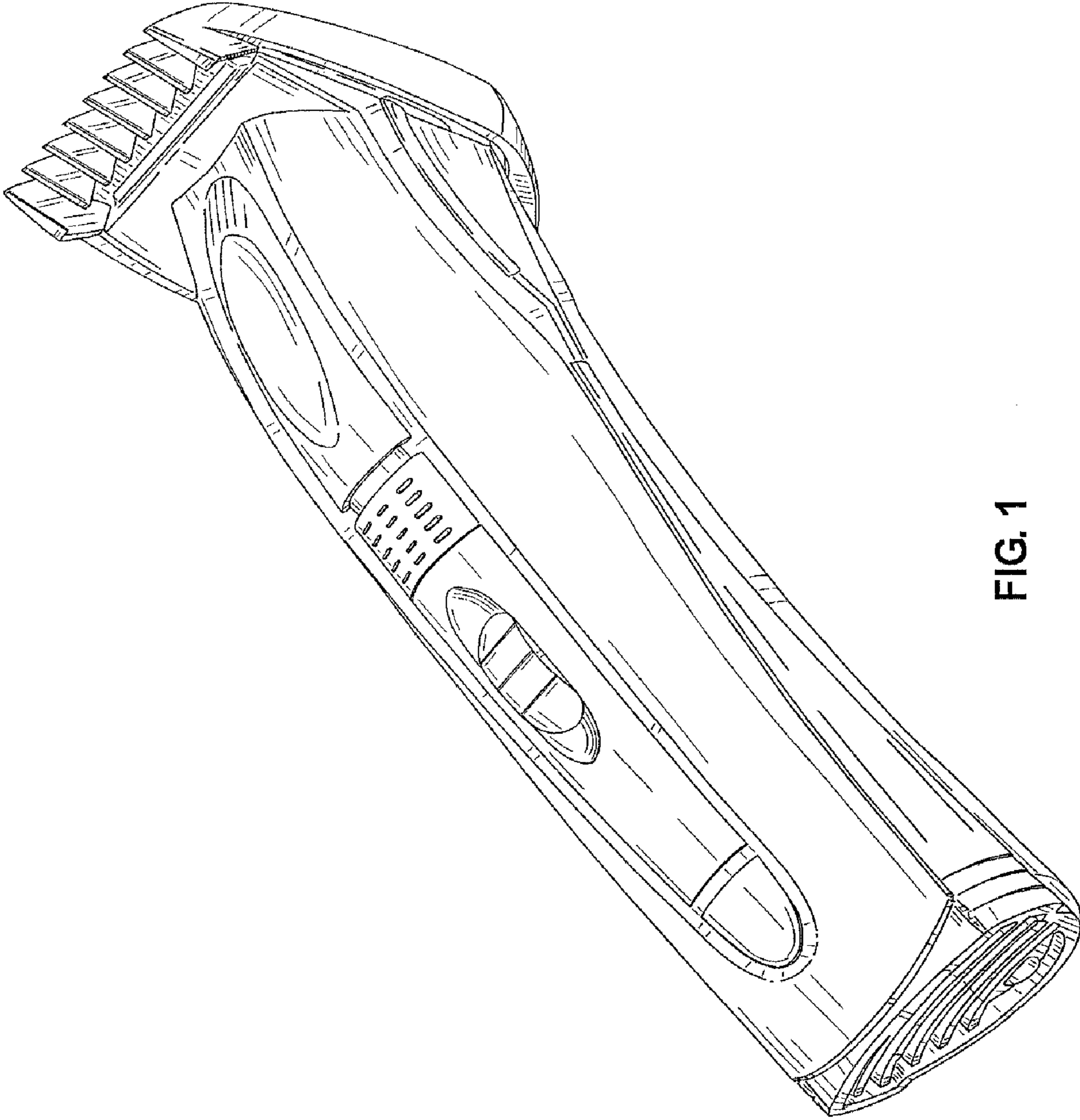


FIG. 1

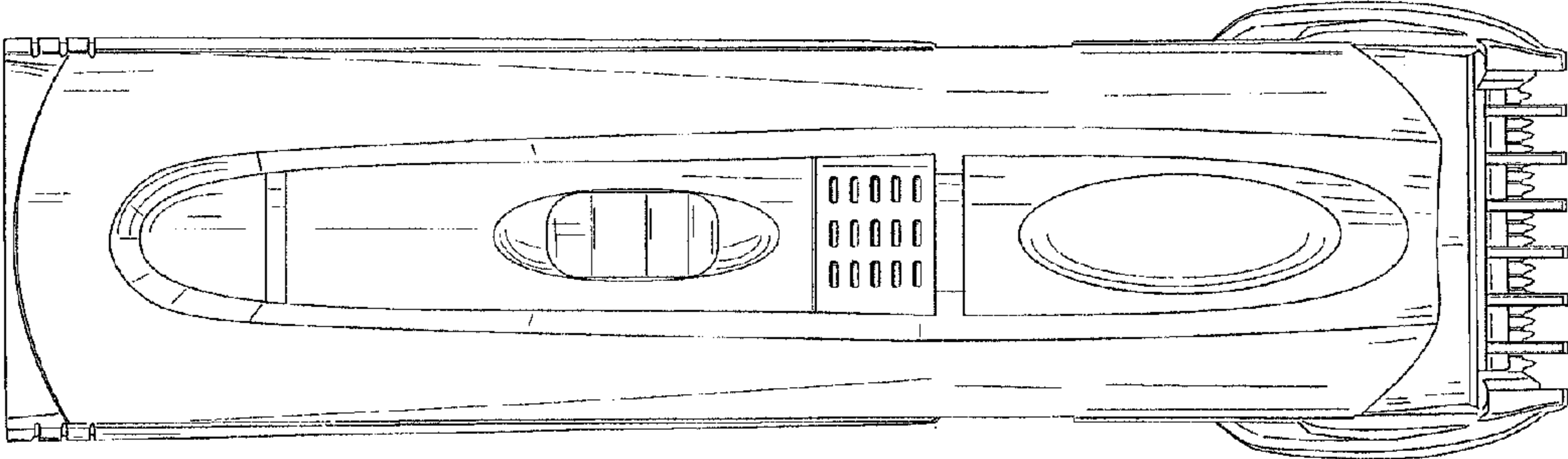


FIG. 2

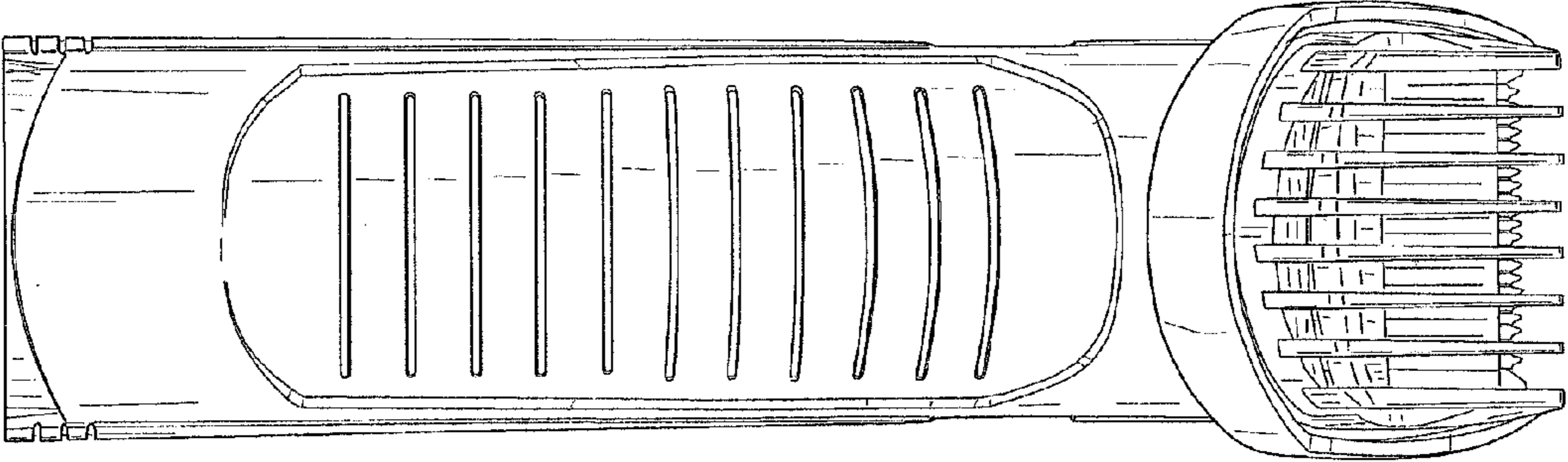


FIG. 3

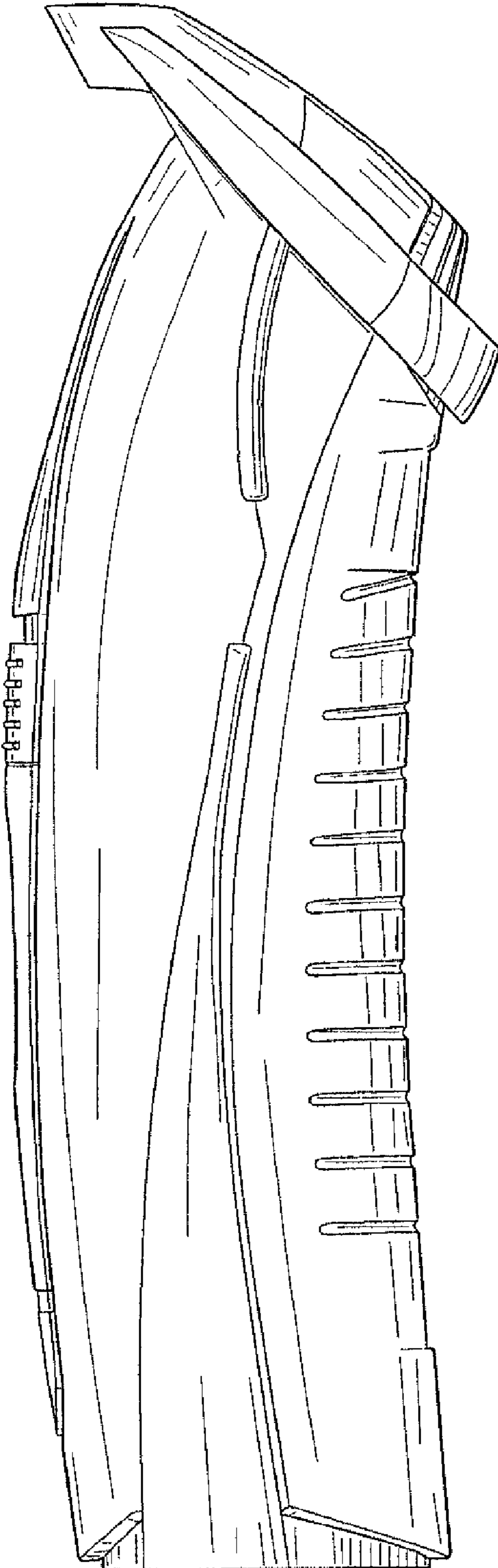


FIG. 4

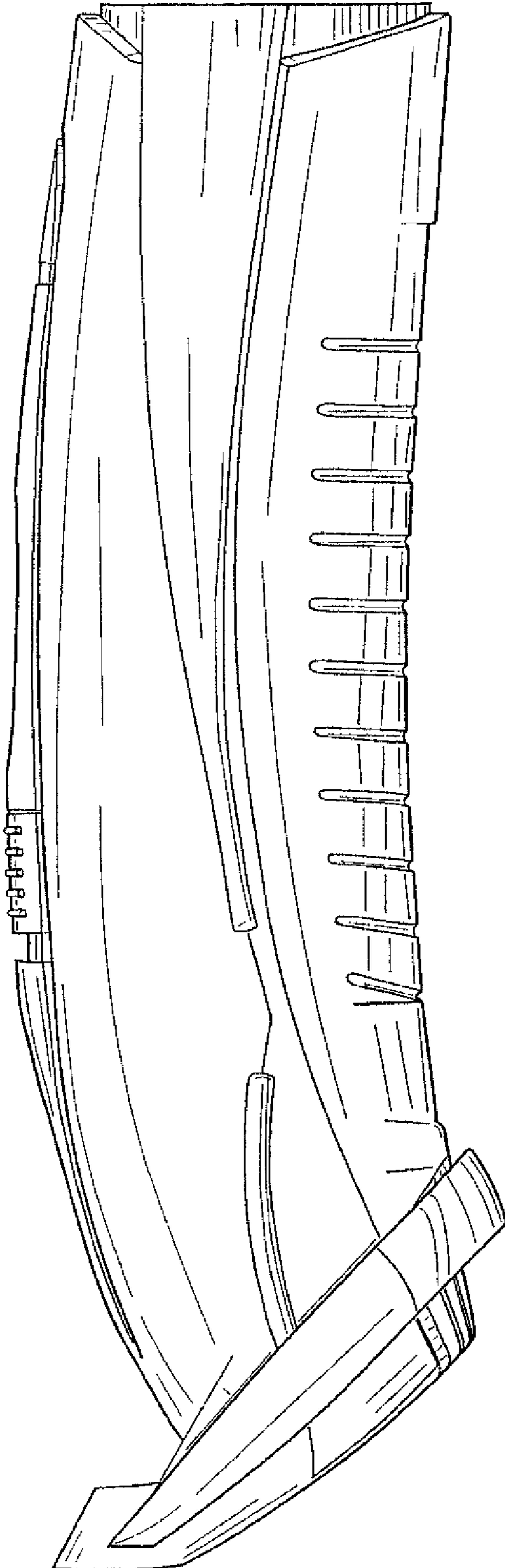


FIG. 5

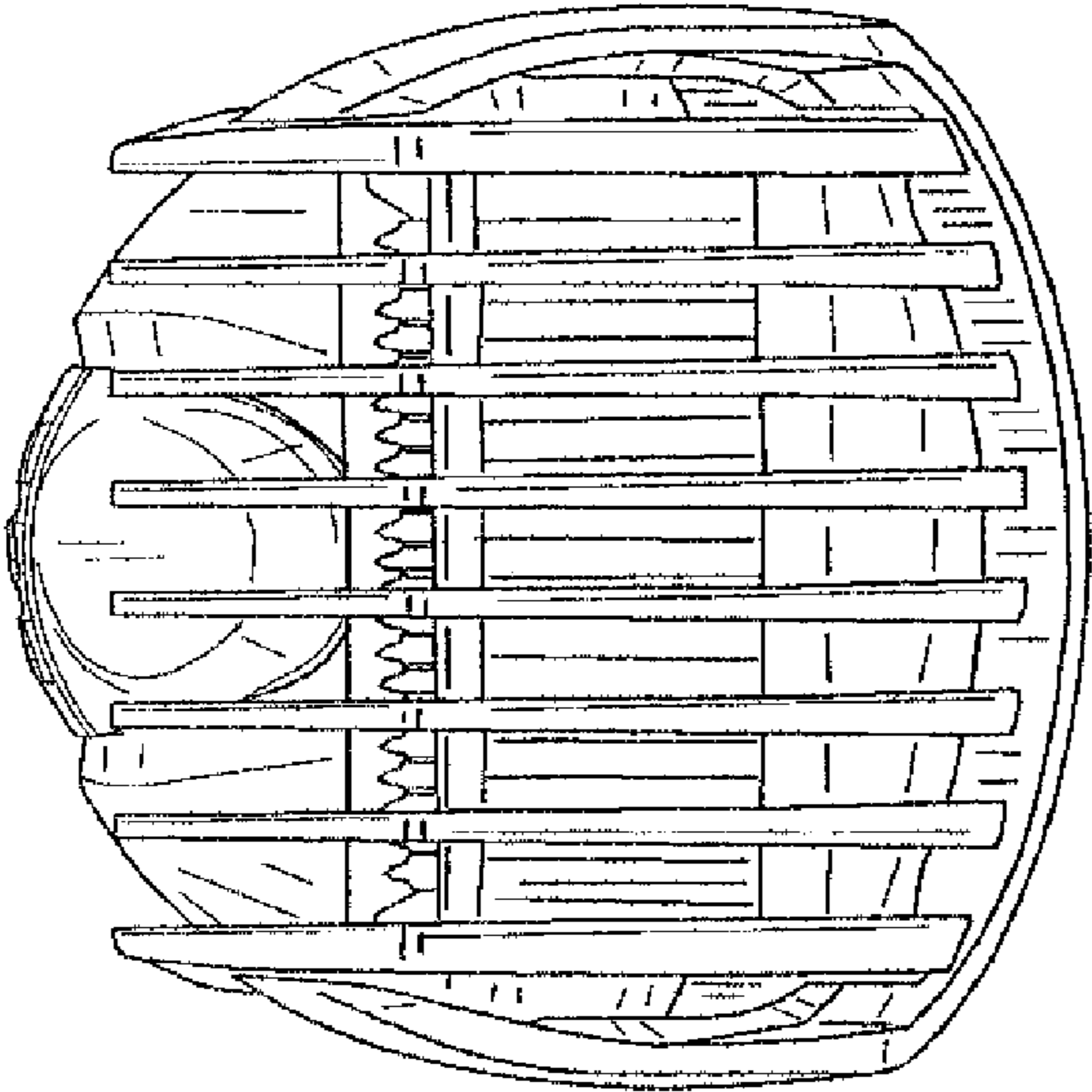


FIG. 6

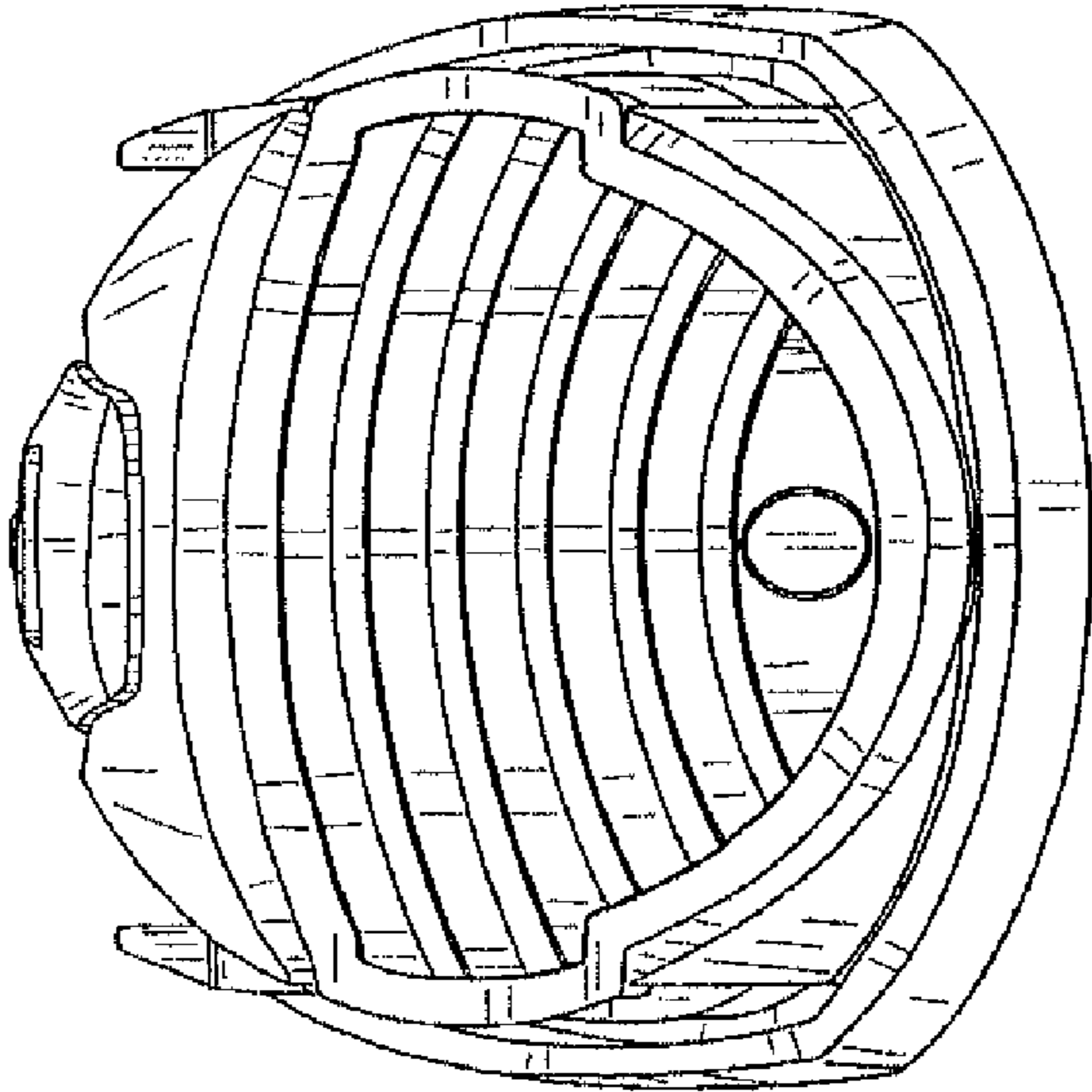


FIG. 7