



US00D676198S

(12) **United States Design Patent**  
**Lin**

(10) **Patent No.:** **US D676,198 S**

(45) **Date of Patent:** **\*\* Feb. 12, 2013**

(54) **SHAVER**

(75) Inventor: **Yong Lin**, Zhejiang (CN)

(73) Assignee: **Wenzhou Pritech Industrial Co., Ltd.**,  
Wenzhou, Zhejiang (CN)

(\*\*) Term: **14 Years**

(21) Appl. No.: **29/409,571**

(22) Filed: **Dec. 24, 2011**

(51) **LOC (9) Cl.** ..... **28-03**

(52) **U.S. Cl.** ..... **D28/49**

(58) **Field of Classification Search** ..... D28/44-54;  
30/34.1-34.2, 34.05, 32, 41.9, 43-43.92,  
30/47-52, 42-46, 53-55, 57-73, 526-541,  
30/74-84

See application file for complete search history.

(56) **References Cited**

U.S. PATENT DOCUMENTS

D294,744 S \* 3/1988 Paulin ..... D28/49  
D295,901 S \* 5/1988 Meelen ..... D28/49

D322,334 S \* 12/1991 Brun ..... D28/44.1  
D341,907 S \* 11/1993 Ullmann ..... D28/49  
5,701,673 A \* 12/1997 Ullmann et al. .... 30/34.1  
D400,302 S \* 10/1998 Ullmann ..... D28/49  
D437,974 S \* 2/2001 Yip ..... D28/51

\* cited by examiner

*Primary Examiner* — Jennifer Rivard

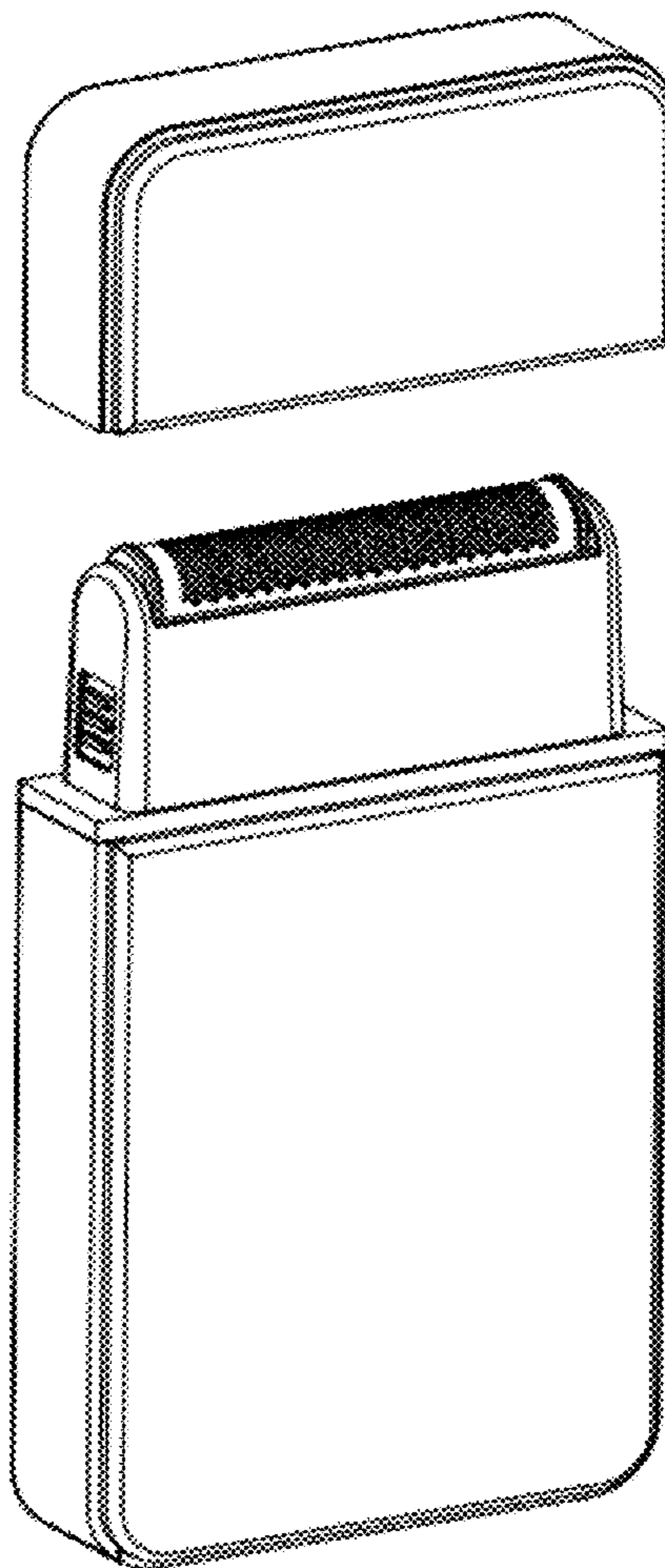
(57) **CLAIM**

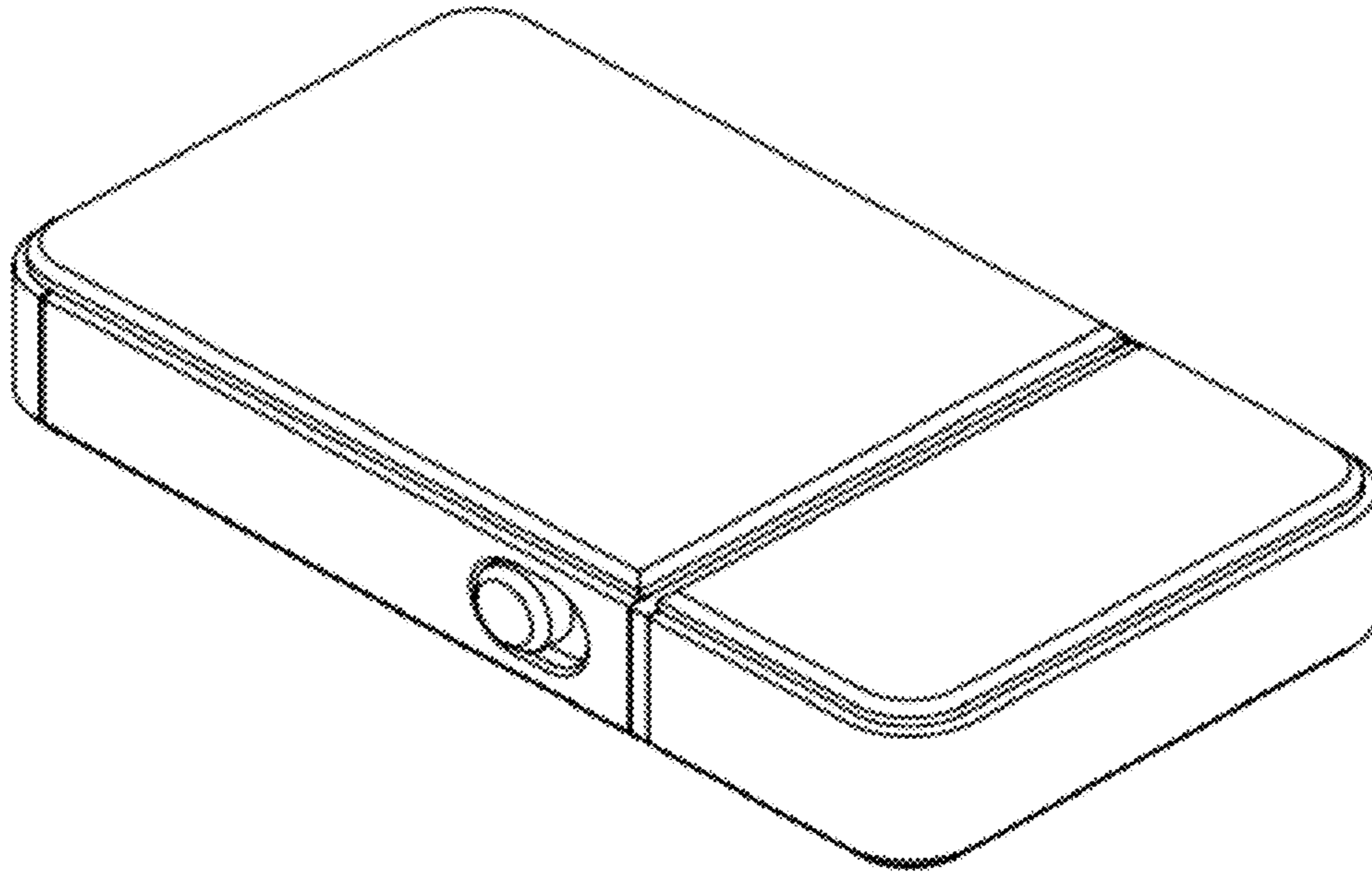
The ornamental design for a shaver, as shown and described.

**DESCRIPTION**

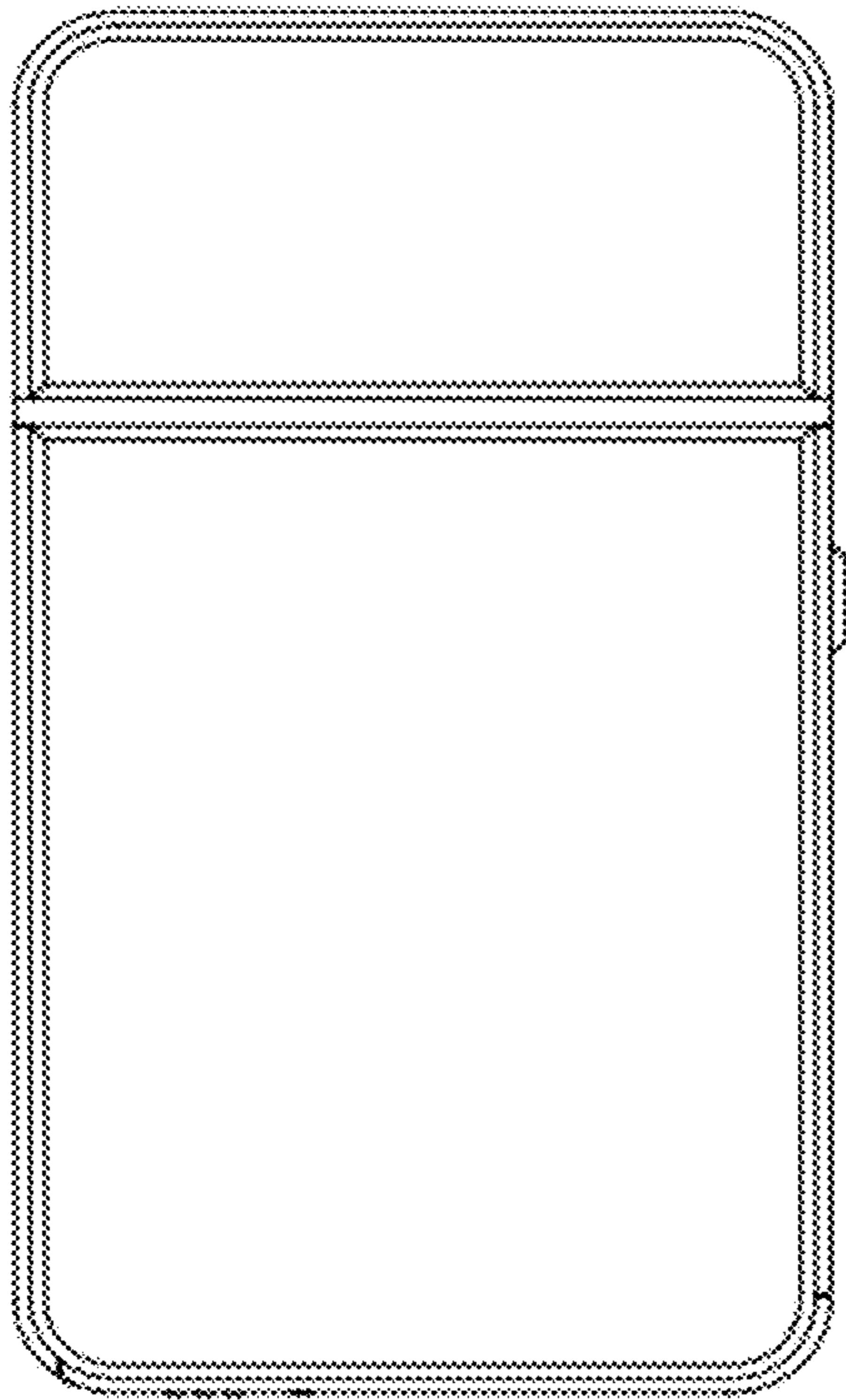
FIG. 1 is a perspective view of shaver showing my present design,  
FIG. 2 is a front view thereof;  
FIG. 3 is a rear view thereof;  
FIG. 4 is a left side view thereof;  
FIG. 5 is a right side view thereof;  
FIG. 6 is a top view thereof;  
FIG. 7 is a bottom view thereof; and,  
FIG. 8 is another perspective view of the shaver in accordance with the present design showing the cover is removed.

**1 Claim, 5 Drawing Sheets**

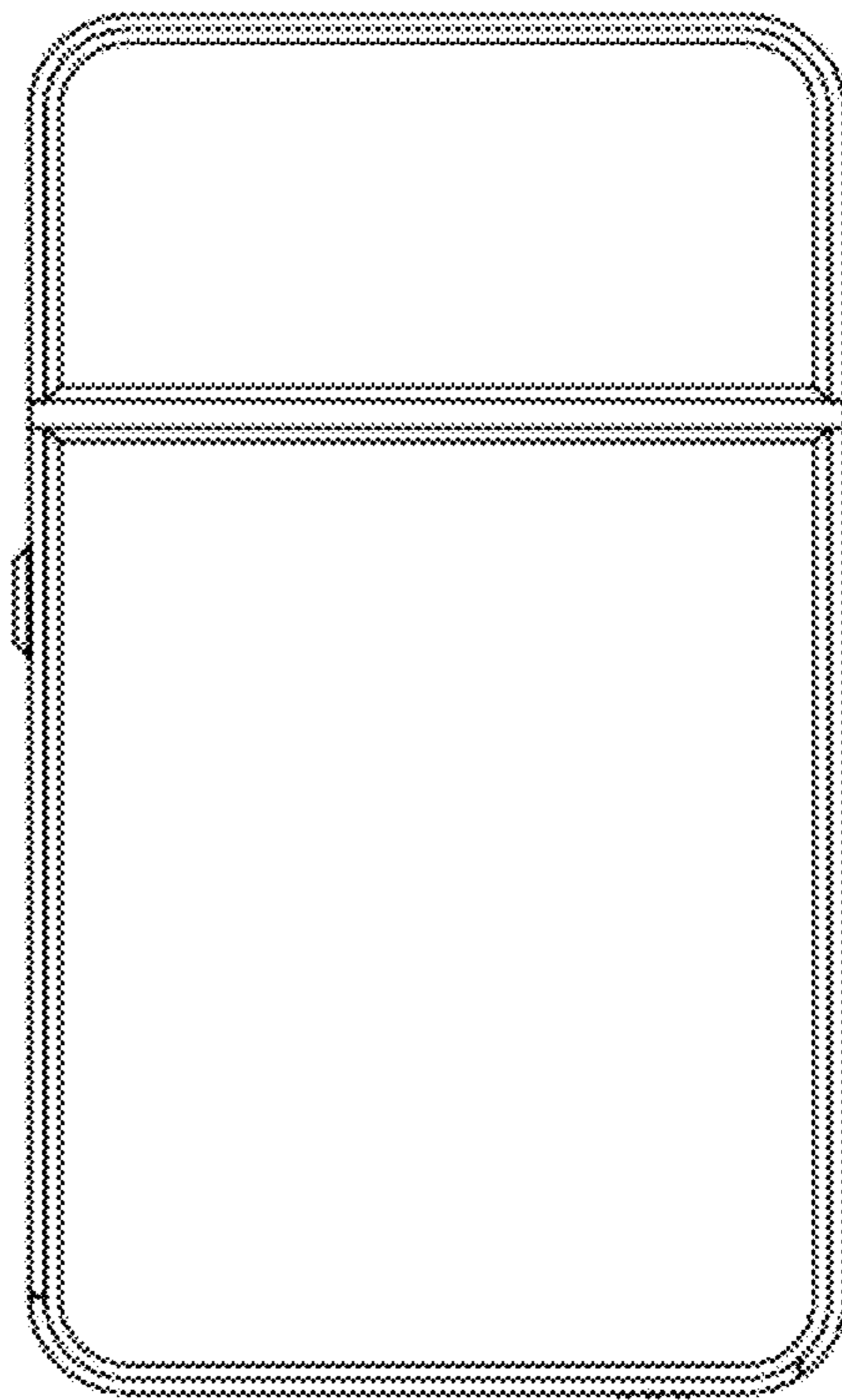




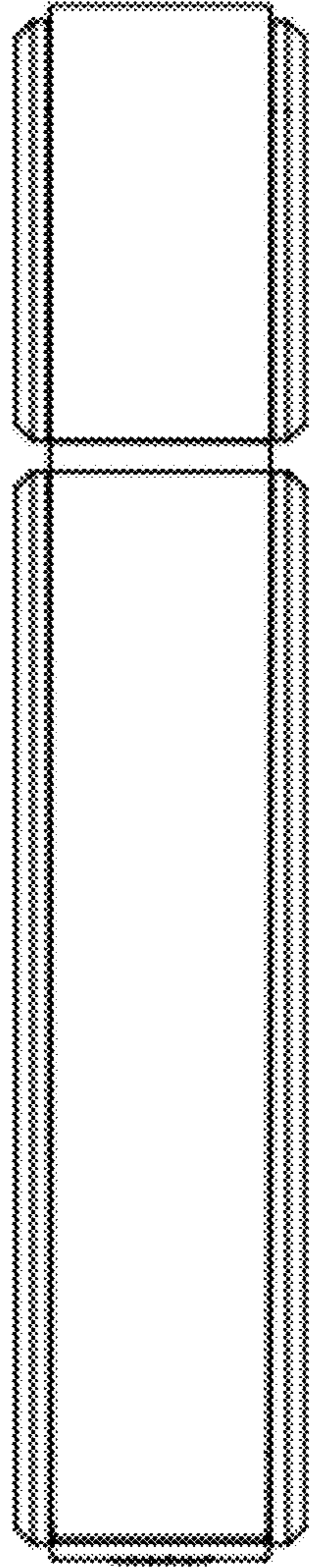
**FIG. 1**



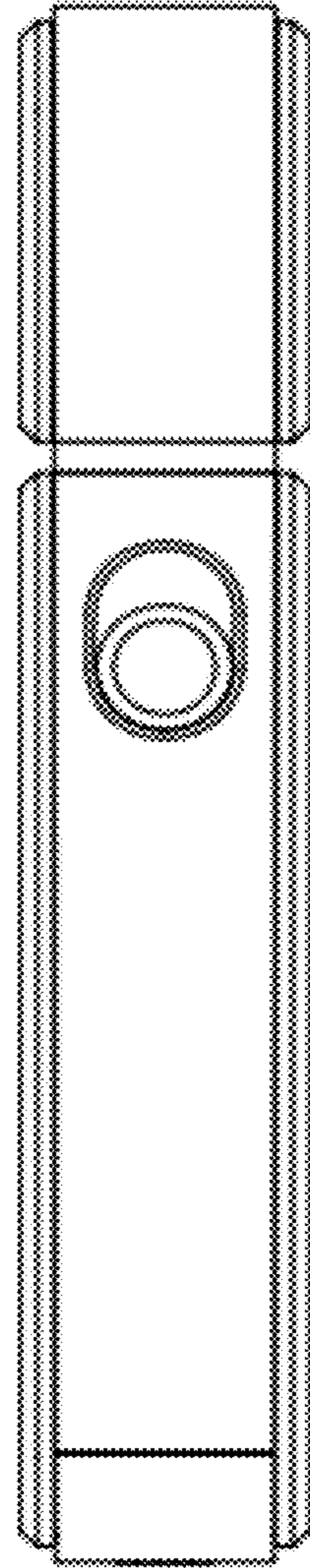
**FIG. 2**



**FIG. 3**



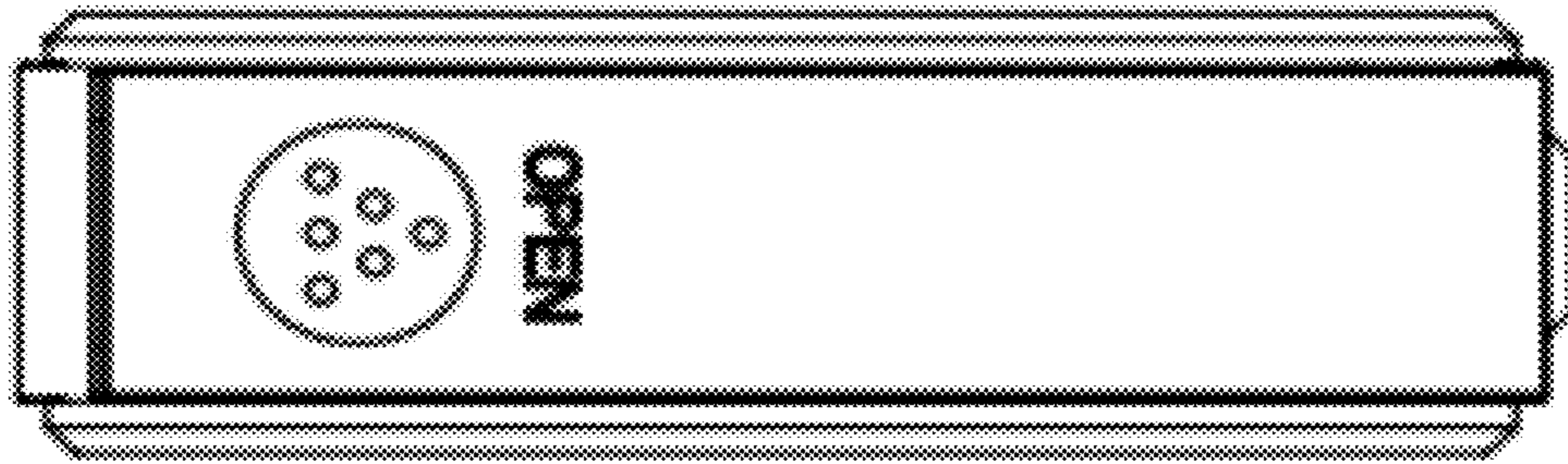
**FIG. 4**



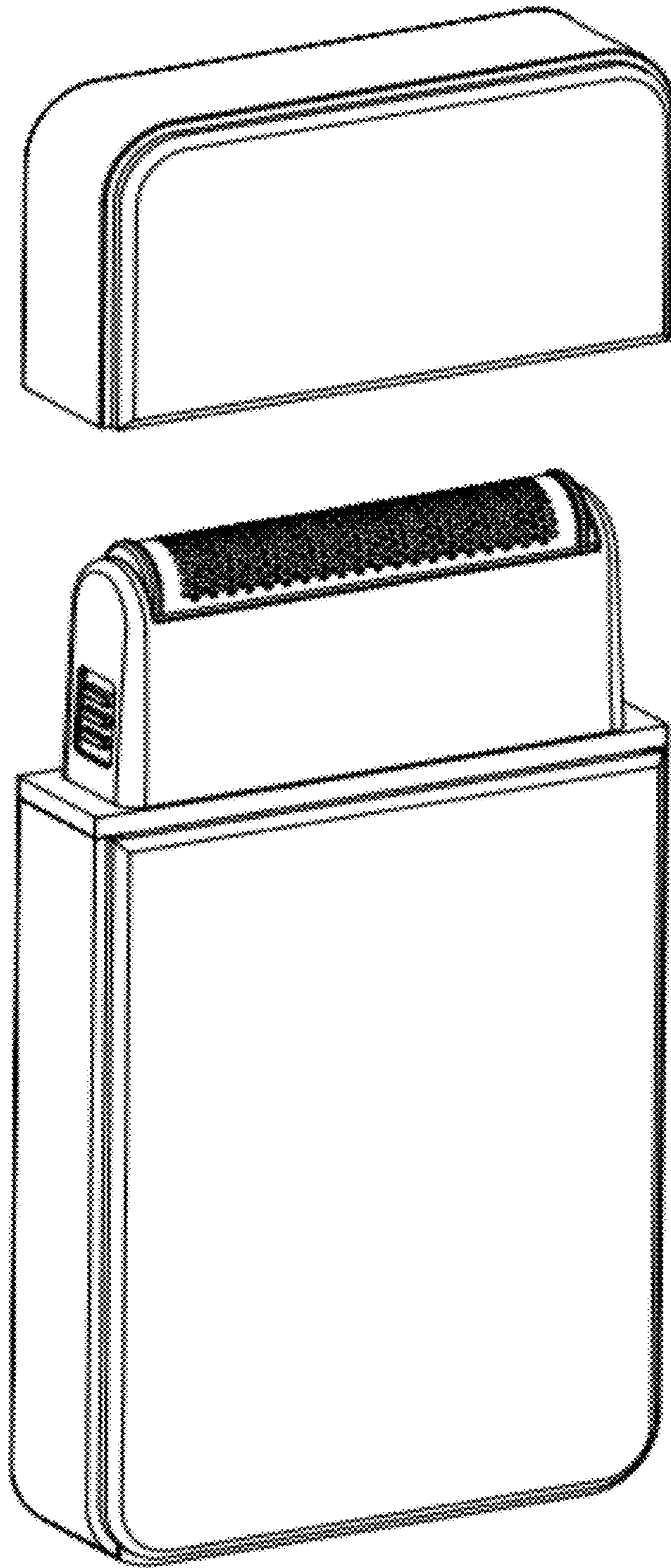
**FIG. 5**



**FIG. 6**



**FIG. 7**



**FIG. 8**