



US00D676195S

(12) **United States Design Patent**
Julémont

(10) **Patent No.:** **US D676,195 S**

(45) **Date of Patent:** **** Feb. 12, 2013**

(54) **HAIR DRYER**

(75) Inventor: **Pierre Julémont**, Soumagne (BE)

(73) Assignee: **Babyliss Faco SA**, Wandre (BE)

(**) Term: **14 Years**

(21) Appl. No.: **29/396,568**

(22) Filed: **Jul. 1, 2011**

(30) **Foreign Application Priority Data**

Jan. 5, 2011 (EM) 001801549-0011

(51) **LOC (9) Cl.** **28-03**

(52) **U.S. Cl.** **D28/13**

(58) **Field of Classification Search** D28/12-19;
34/96-101; 392/380-385; 219/222

See application file for complete search history.

(56) **References Cited**

U.S. PATENT DOCUMENTS

| | | | | |
|--------------|---------|------------|-------|--------|
| D422,114 S * | 3/2000 | Gudefin | | D28/13 |
| D428,528 S * | 7/2000 | Deguines | | D28/13 |
| D536,482 S * | 2/2007 | Koenemann | | D28/13 |
| D544,998 S * | 6/2007 | Petrucelli | | D28/13 |
| D579,151 S * | 10/2008 | Leung | | D28/13 |

| | | | | |
|--------------|---------|-----------------|-------|--------|
| D600,405 S * | 9/2009 | Soresina et al. | | D28/13 |
| D603,094 S * | 10/2009 | Piard | | D28/13 |
| D604,900 S * | 11/2009 | Yang | | D28/13 |

* cited by examiner

Primary Examiner — Zenia Bennett

(74) *Attorney, Agent, or Firm* — Ladas & Parry LLP

(57) **CLAIM**

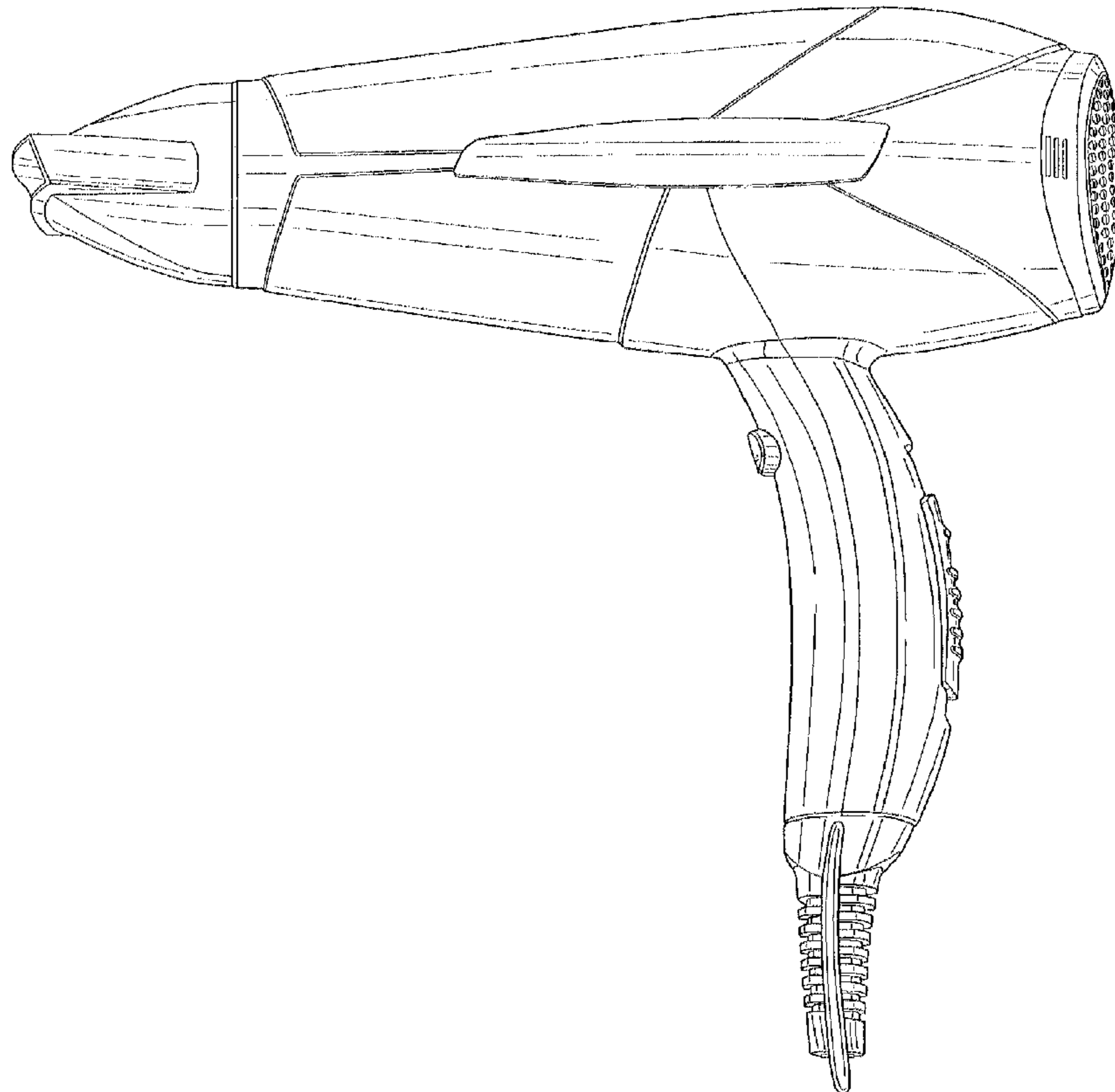
The ornamental design for a hair dryer, as shown and described.

DESCRIPTION

FIG. 1 is a perspective view from below and left side of the hair dryer embodying my new design;
FIG. 2 is a perspective view from above and right side thereof;
FIG. 3 is a front elevational view thereof;
FIG. 4 is a rear elevational view thereof;
FIG. 5 is a right side elevational thereof, the left side elevational view being a mirror image thereof;
FIG. 6 is a top plan view thereof; and,
FIG. 7 is a bottom plan view thereof.

The portions in the drawings shown in dotted lines are for environmental purposes only and form no part of the claimed design.

1 Claim, 7 Drawing Sheets



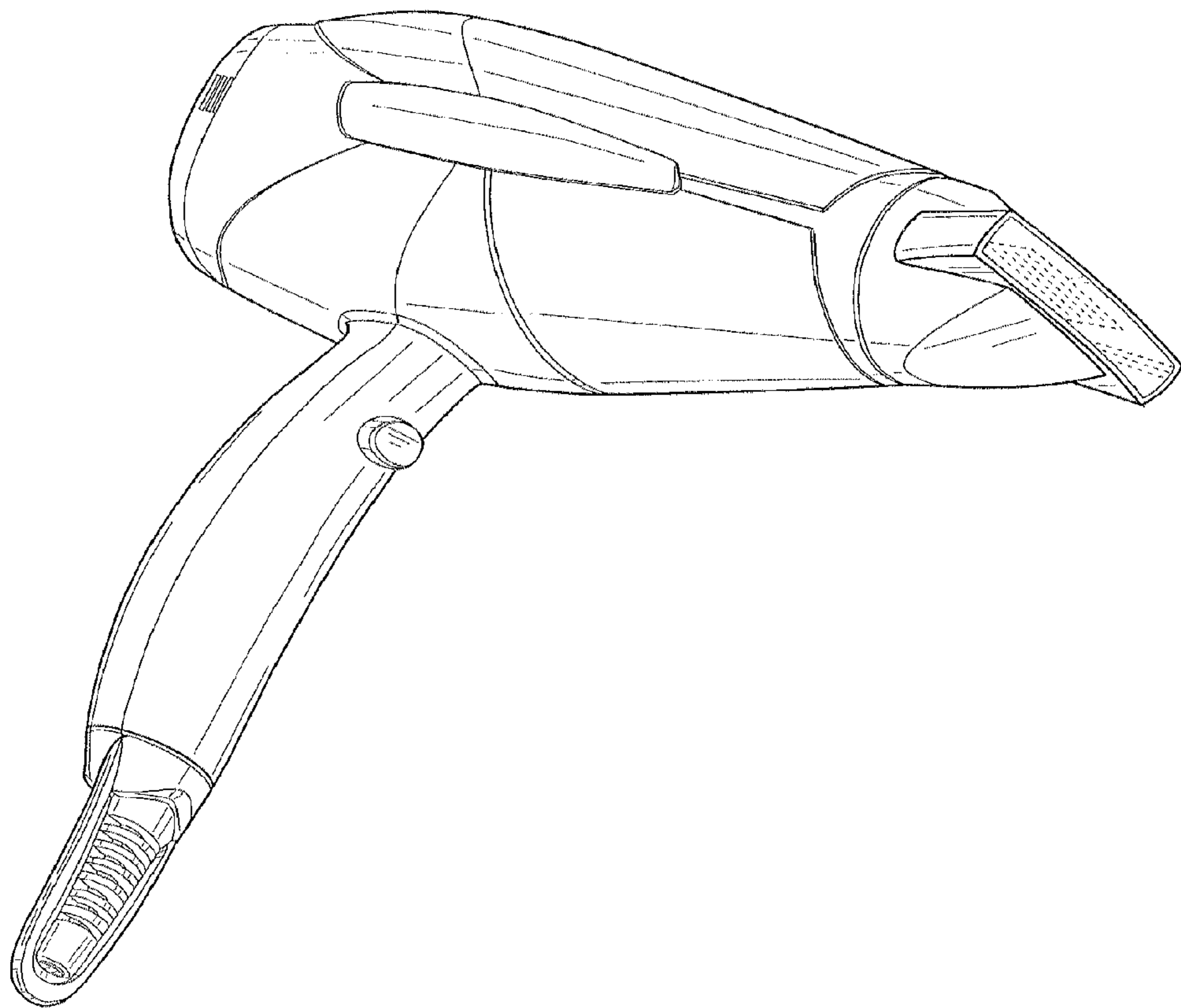


FIG. 1

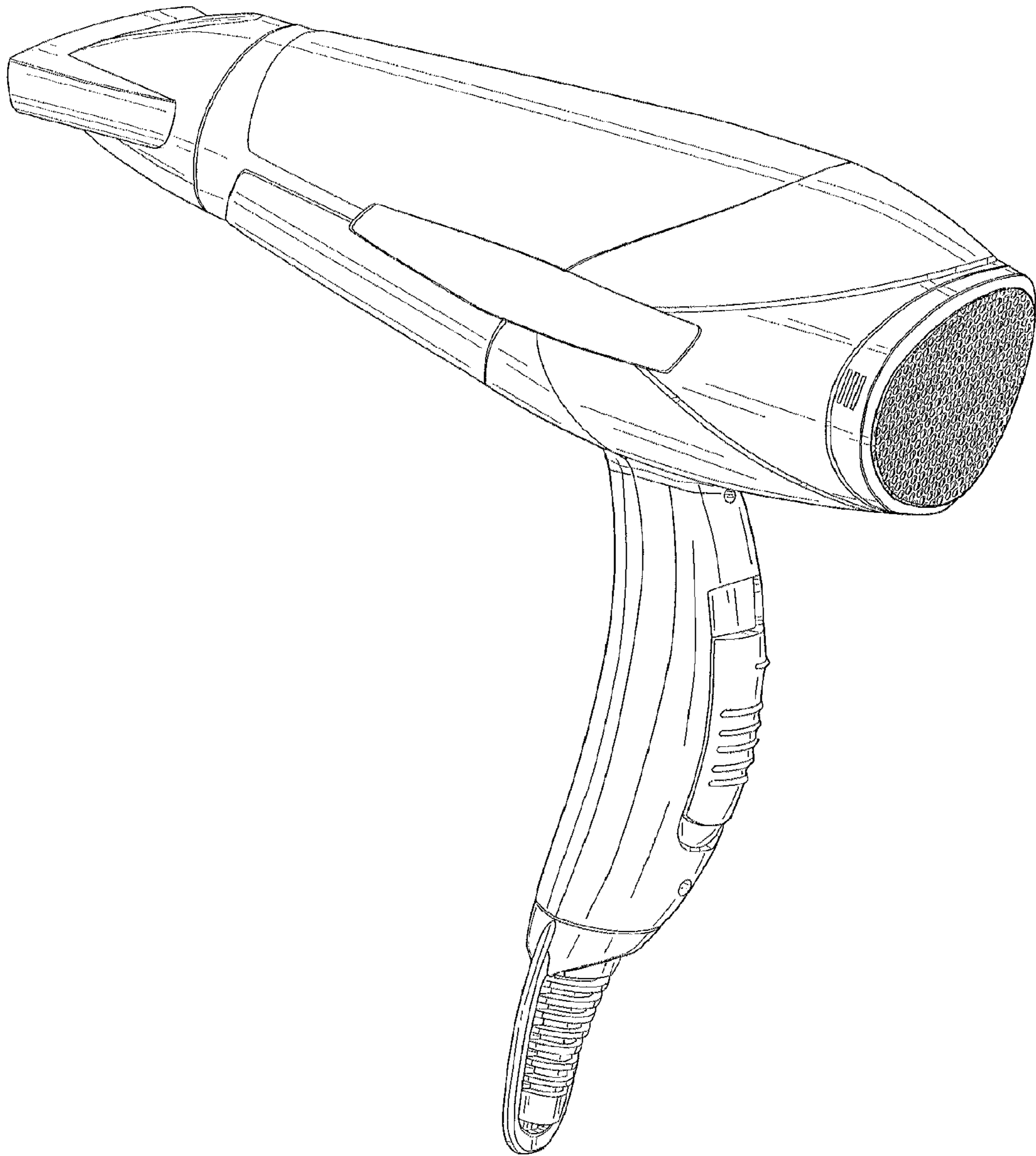


FIG. 2

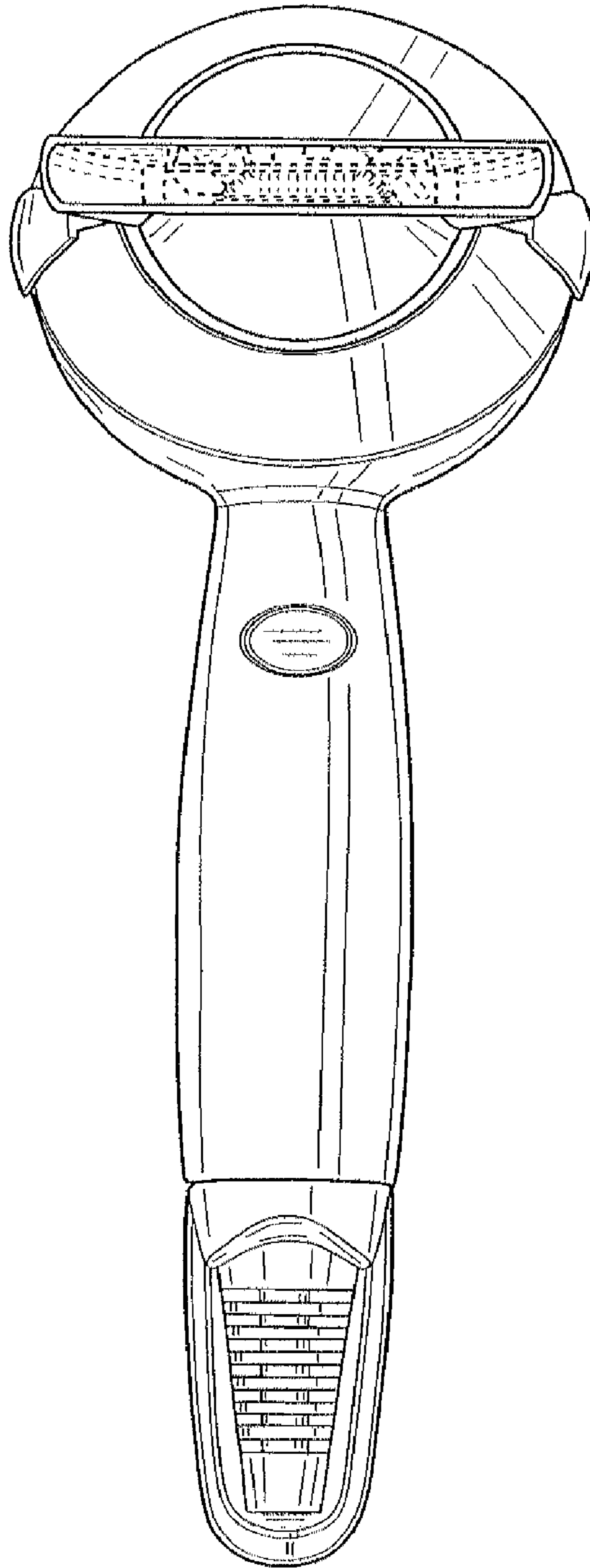


FIG. 3

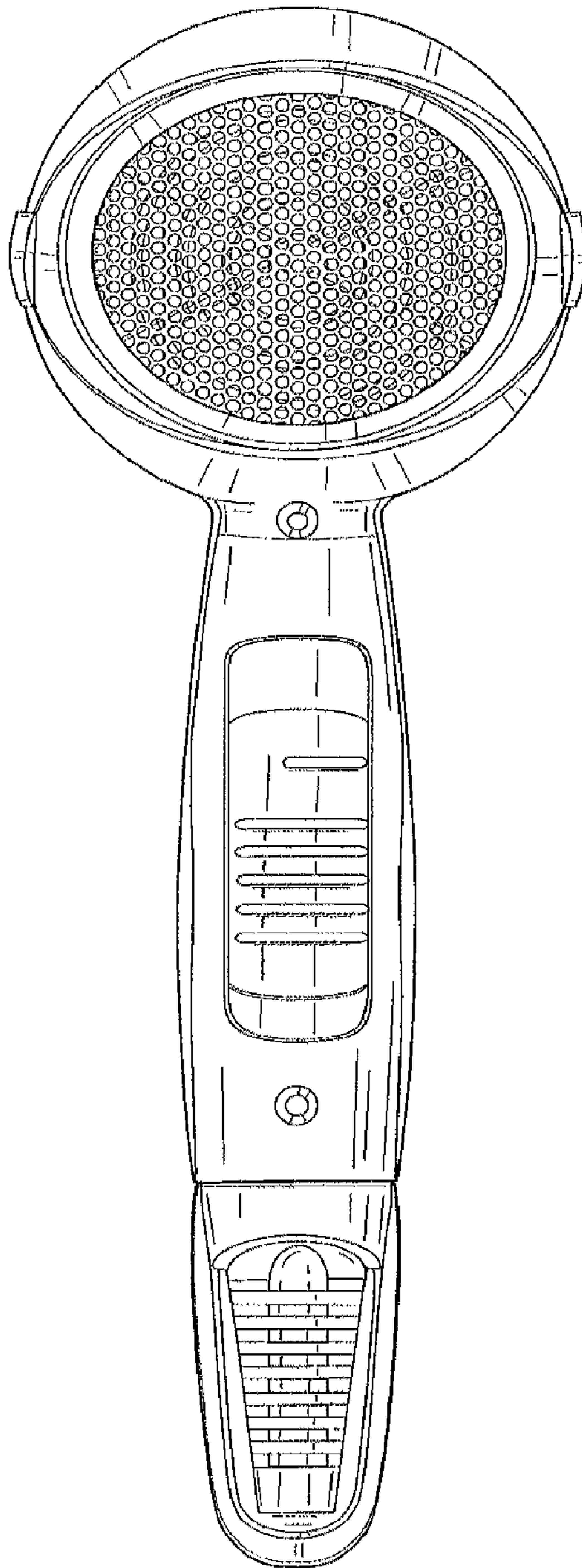


FIG. 4

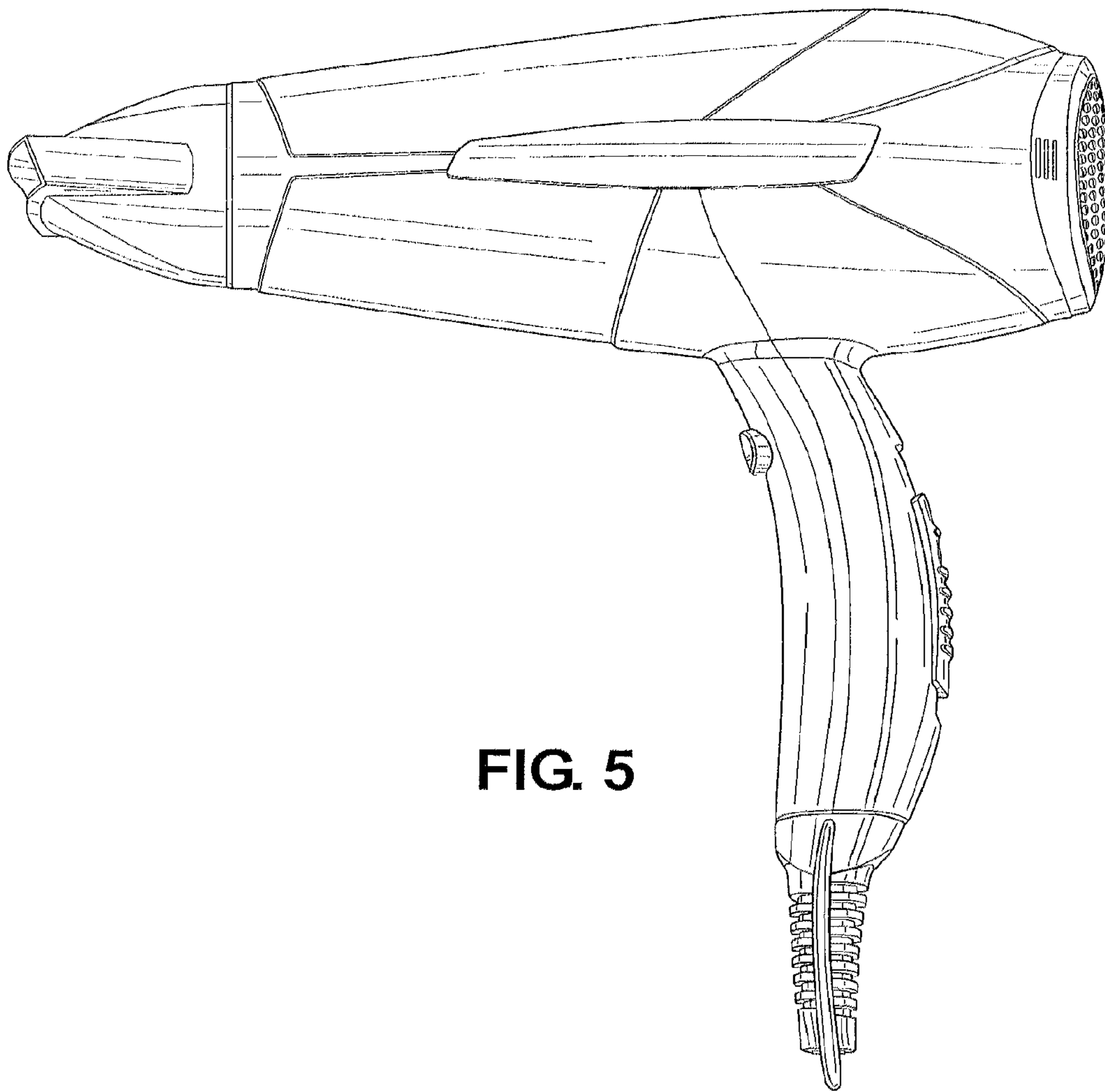


FIG. 5

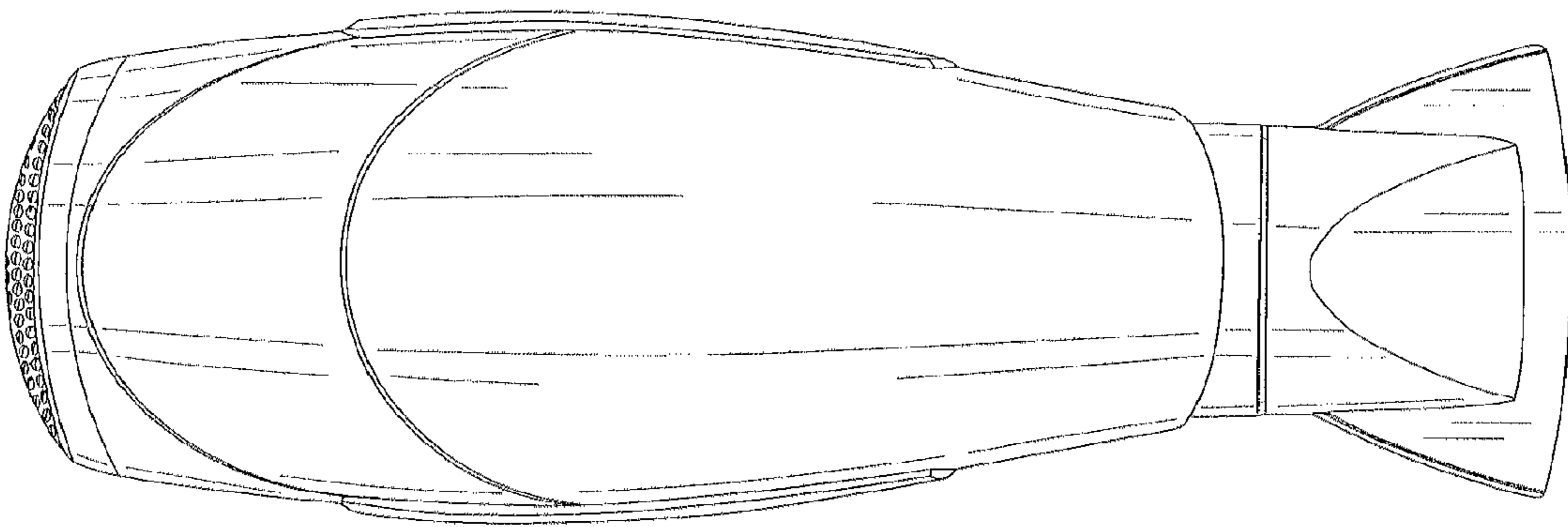


FIG. 6

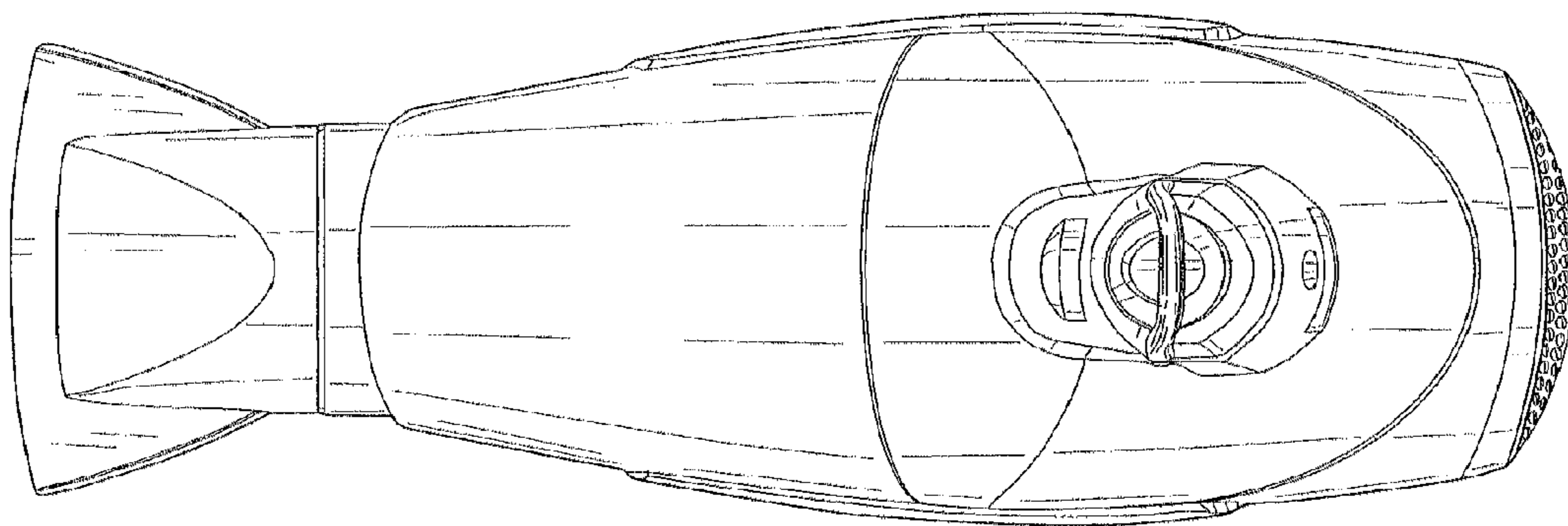


FIG. 7