



US00D676191S

(12) **United States Design Patent**  
**Barrett**

(10) **Patent No.:** **US D676,191 S**

(45) **Date of Patent:** **\*\* Feb. 12, 2013**

(54) **LIGHTED HEADPIECE FOR PORTABLE WORK LIGHT**

(76) Inventor: **Kenneth A. Barrett**, Montgomery, AL (US)

(\*\*) Term: **14 Years**

(21) Appl. No.: **29/408,021**

(22) Filed: **Dec. 6, 2011**

(51) **LOC (9) Cl.** ..... **26-99**

(52) **U.S. Cl.** ..... **D26/141**

(58) **Field of Classification Search** ..... D26/118, D26/124, 120, 122, 119, 128, 138, 145, 155, D26/1, 2, 113, 121, 123, 72, 73, 74, 75, 76, D26/77, 78, 79, 62, 64, 68, 69, 85, 86, 88, D26/125, 129, 135, 136, 139, 140, 141, 142, D26/143, 144, 152, 153, 148, 149, 150, 151, D26/154, 156, 61, 54, 52, 24, 25, 26, 28, D26/36, 35, 42, 45, 53, 55, 81, 82, 83, 84, D26/60, 63, 87, 37; 362/294, 307, 249.01-249.12, 362/549, 345, 225, 364, 326, 362, 363, 147, 362/148, 149, 223, 224, 555, 556, 218, 331, 362/613, 620, 97.1-97.3; D13/179, 180  
See application file for complete search history.

(56) **References Cited**

**U.S. PATENT DOCUMENTS**

D66,996	S	*	4/1925	Whittington	.....	D26/140
D127,833	S	*	6/1941	Price	.....	D26/63
D234,220	S	*	1/1975	Donato	.....	D26/65
D260,299	S	*	8/1981	D'Ercoli	.....	D26/63
4,494,177	A	*	1/1985	Matthews	.....	362/402
D321,062	S	*	10/1991	Bonbright	.....	D26/140
5,255,468	A	*	10/1993	Cheshire, Jr.	.....	
5,276,596	A	*	1/1994	Krenzel	.....	362/191
D355,042	S	*	1/1995	Panagiotou	.....	D26/63
5,408,393	A	*	4/1995	Becker	.....	
D375,291	S	*	11/1996	Cheung	.....	D13/138.2
D375,720	S	*	11/1996	Cheung	.....	D13/138.2
D421,664	S	*	3/2000	Sherman	.....	D26/153
6,086,228	A	*	7/2000	McGowan et al.	.....	362/396
D436,202	S	*	1/2001	Chen	.....	D26/60
D482,476	S	*	11/2003	Kwong	.....	D26/63
D509,013	S	*	8/2005	Opolka	.....	D26/63

D560,847	S	*	1/2008	Ladewig	.....	D26/141
7,390,105	B2		6/2008	Nelson et al.	.....	
7,461,963	B2		12/2008	Ono et al.	.....	
7,494,251	B1	*	2/2009	Kira	.....	362/294
7,563,070	B2		7/2009	Lin et al.	.....	
7,609,333	B2		10/2009	Fukuda	.....	
D604,880	S	*	11/2009	Lovegrove	.....	D26/63
7,635,201	B2		12/2009	Deng	.....	
D615,231	S	*	5/2010	van Klinken	.....	D26/63
D629,549	S	*	12/2010	Feigenbaum	.....	D26/63

(Continued)

**OTHER PUBLICATIONS**

[http://www.alibaba.com/product-gs/492864317/hot\\_selling\\_3W\\_LED\\_FLEXIBLE\\_CLAMP.html](http://www.alibaba.com/product-gs/492864317/hot_selling_3W_LED_FLEXIBLE_CLAMP.html) 11 pages from website dated Sep. 14, 2011 and directed to a LED flexible clamp light.

(Continued)

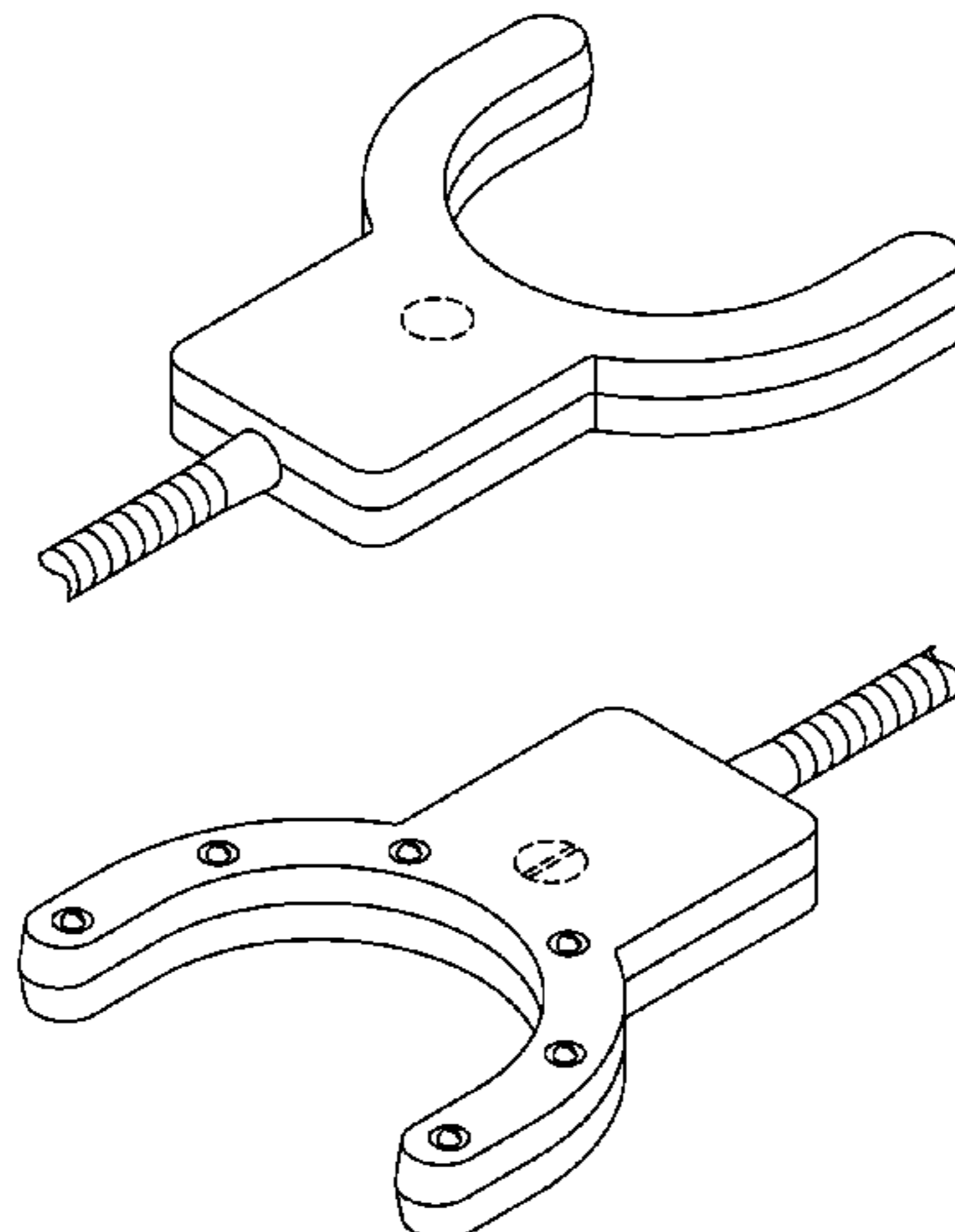
*Primary Examiner* — Kevin Rudzinski  
(74) *Attorney, Agent, or Firm* — Kenneth M. Bush; Bush Intellectual Property Law

(57) **CLAIM**  
I claim the ornamental design for a lighted headpiece for portable work light, as shown and described.

**DESCRIPTION**

FIG. 1 is a top rear perspective view of a lighted headpiece for portable work light showing my new design;  
FIG. 2 is a bottom rear perspective view thereof;  
FIG. 3 is a bottom front perspective view thereof;  
FIG. 4 is a top plan view thereof;  
FIG. 5 is a bottom plan view thereof;  
FIG. 6 is a left side elevational view thereof;  
FIG. 7 is a right side elevational view thereof;  
FIG. 8 is a front elevational view thereof;  
FIG. 9 is a rear elevational view thereof; and,  
FIG. 10 is a top rear perspective view of the lighted headpiece for portable work light shown attached via a flexible cord to a table clamp.  
The broken lines illustrating portions of the lighted headpiece for portable work light, flexible cord and table clamp form no part of the claimed design.  
The ornamental design for a lighted headpiece for a portable work light wherein the headpiece includes a U-shaped portion having a plurality of light emitting diodes.

**1 Claim, 3 Drawing Sheets**



# US D676,191 S

Page 2

---

## U.S. PATENT DOCUMENTS

7,872,275	B2	1/2011	Diamantidis
2003/0179572	A1	9/2003	Schnell
2009/0072165	A1	3/2009	Townsend
2009/0228081	A1	9/2009	Perez
2010/0110687	A1	5/2010	Zheng
2010/0177502	A1	7/2010	Lau

## OTHER PUBLICATIONS

<http://www.baskblade.com/ProductAccessory/bask-blade-adjustable-claw-grip.aspx> 4 pages from website dated Sep. 14, 2011 and directed to a flexible adjustable claw grip for use with an LED utility lamp.

\* cited by examiner

FIG. 1

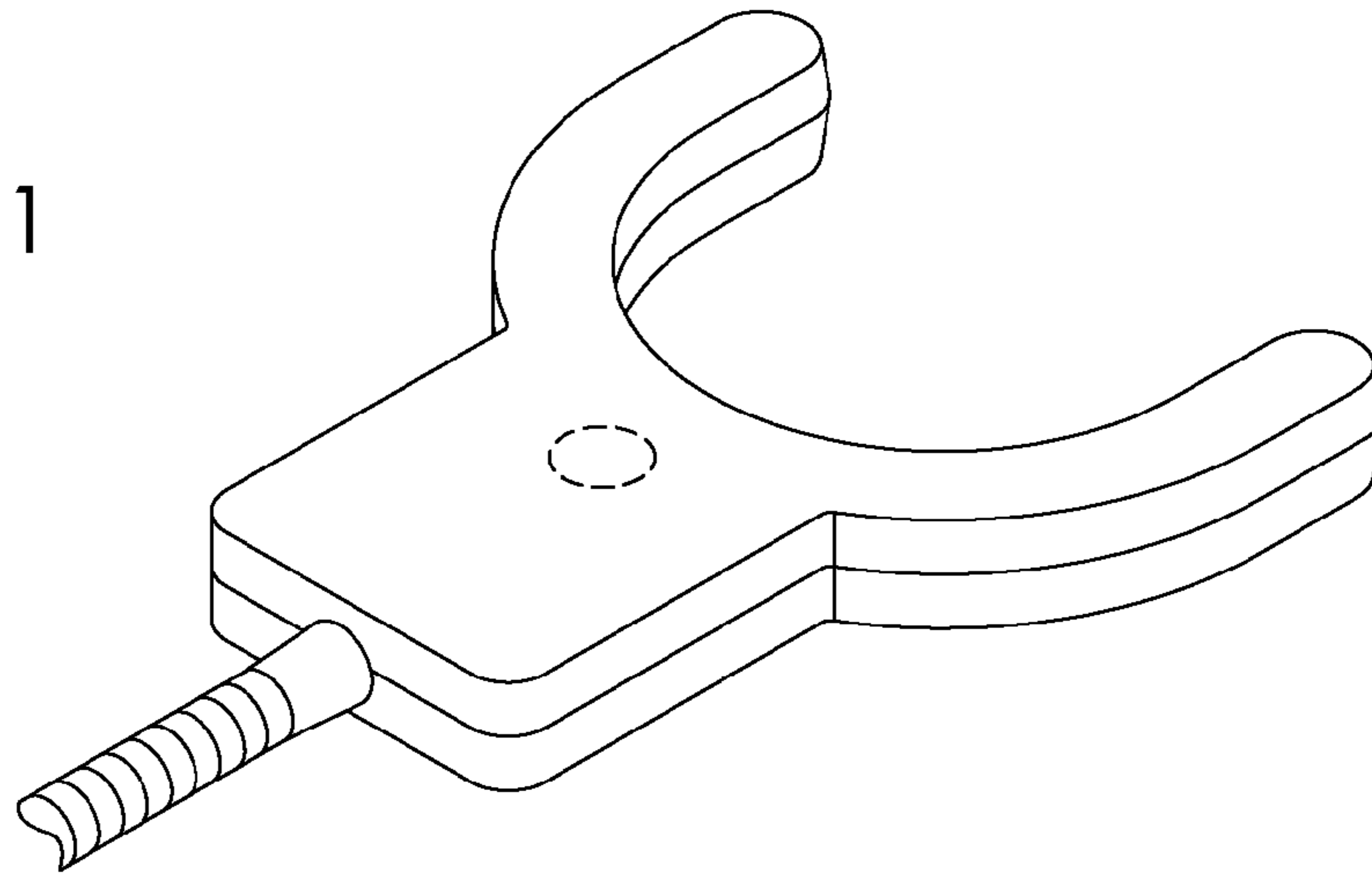


FIG. 2

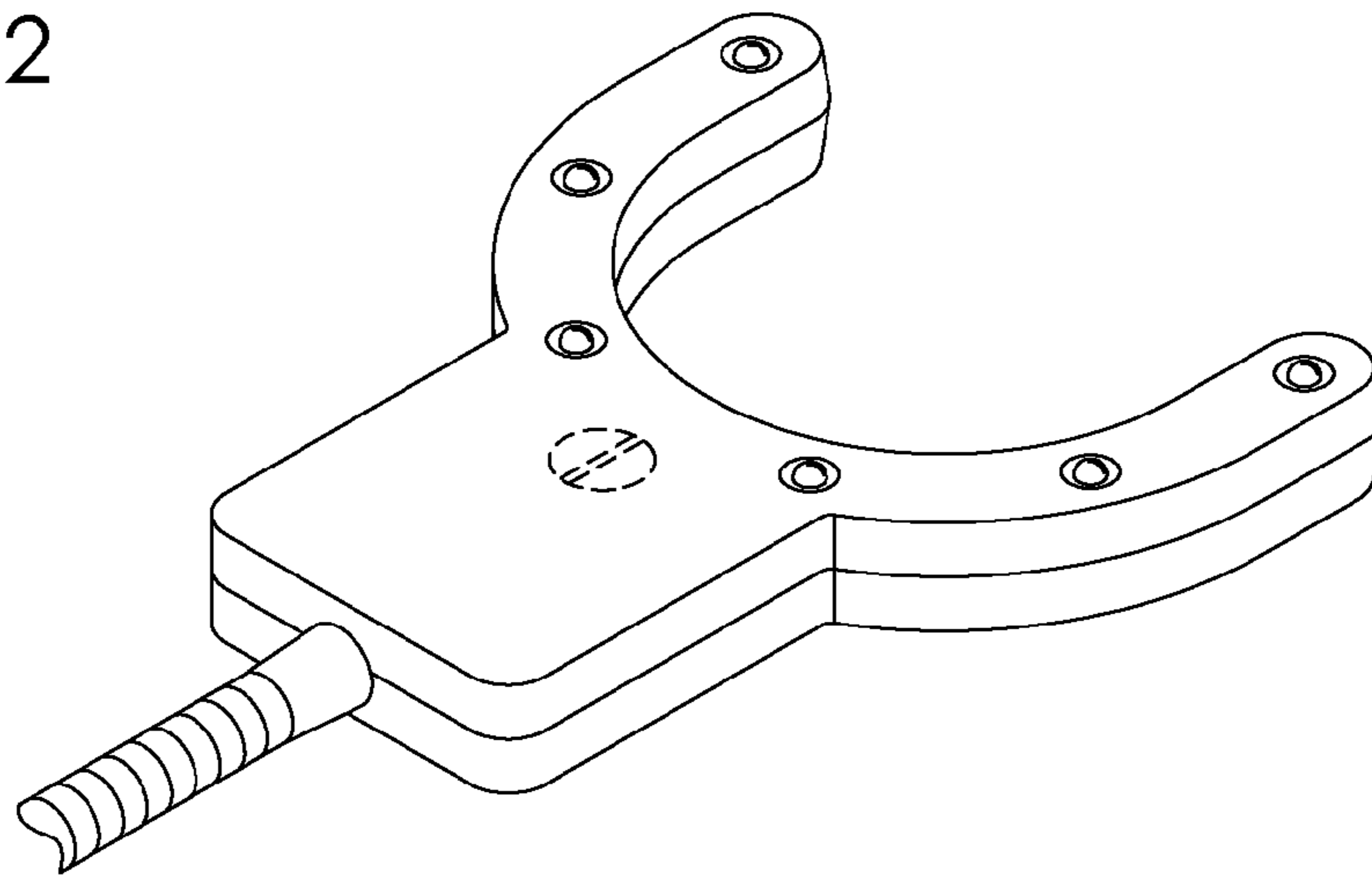
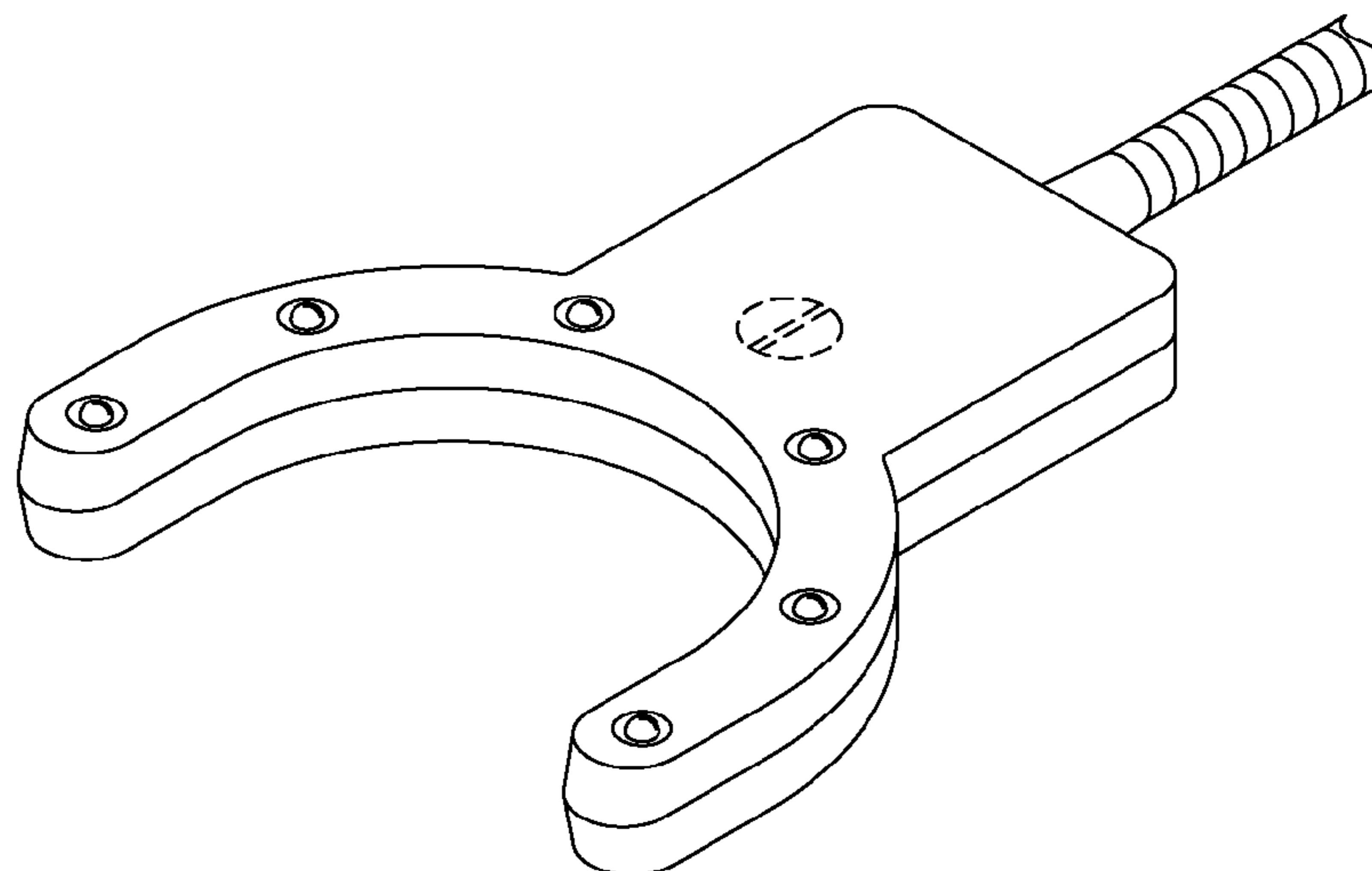


FIG. 3



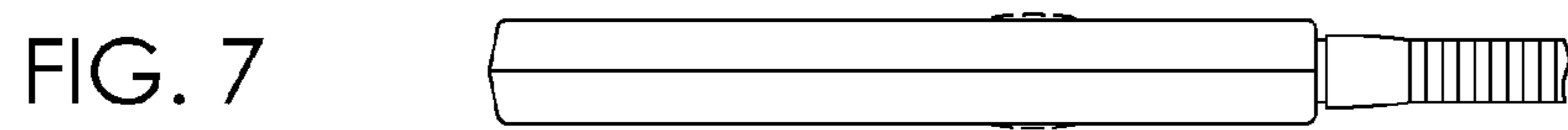
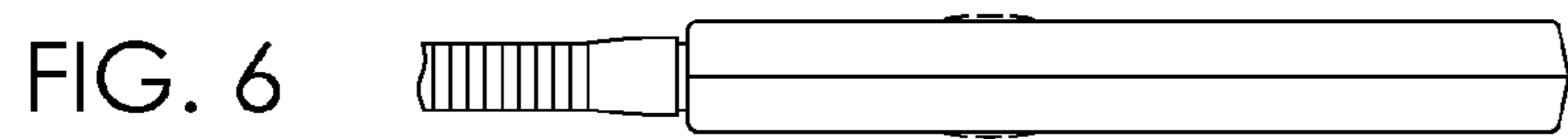
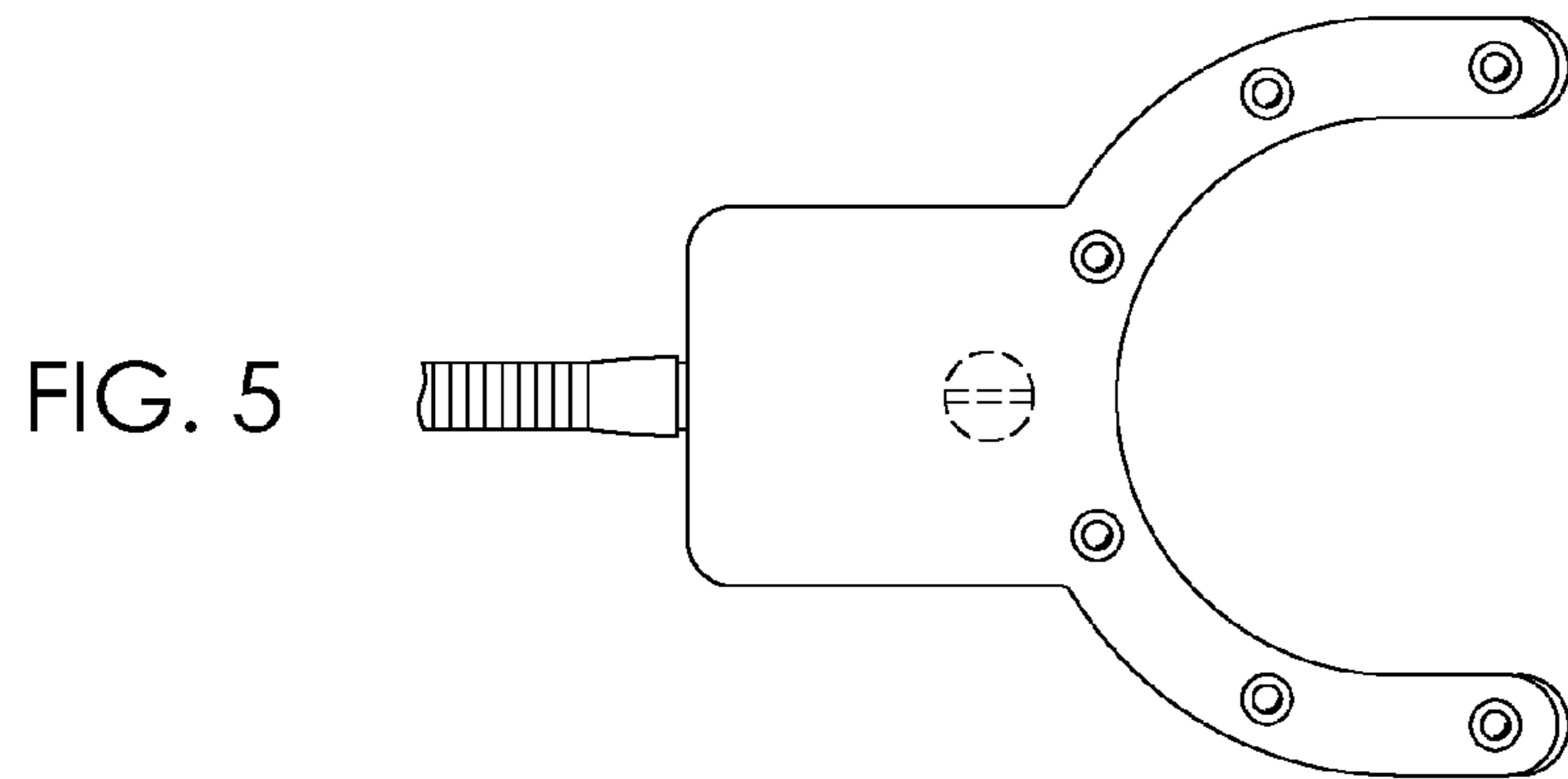
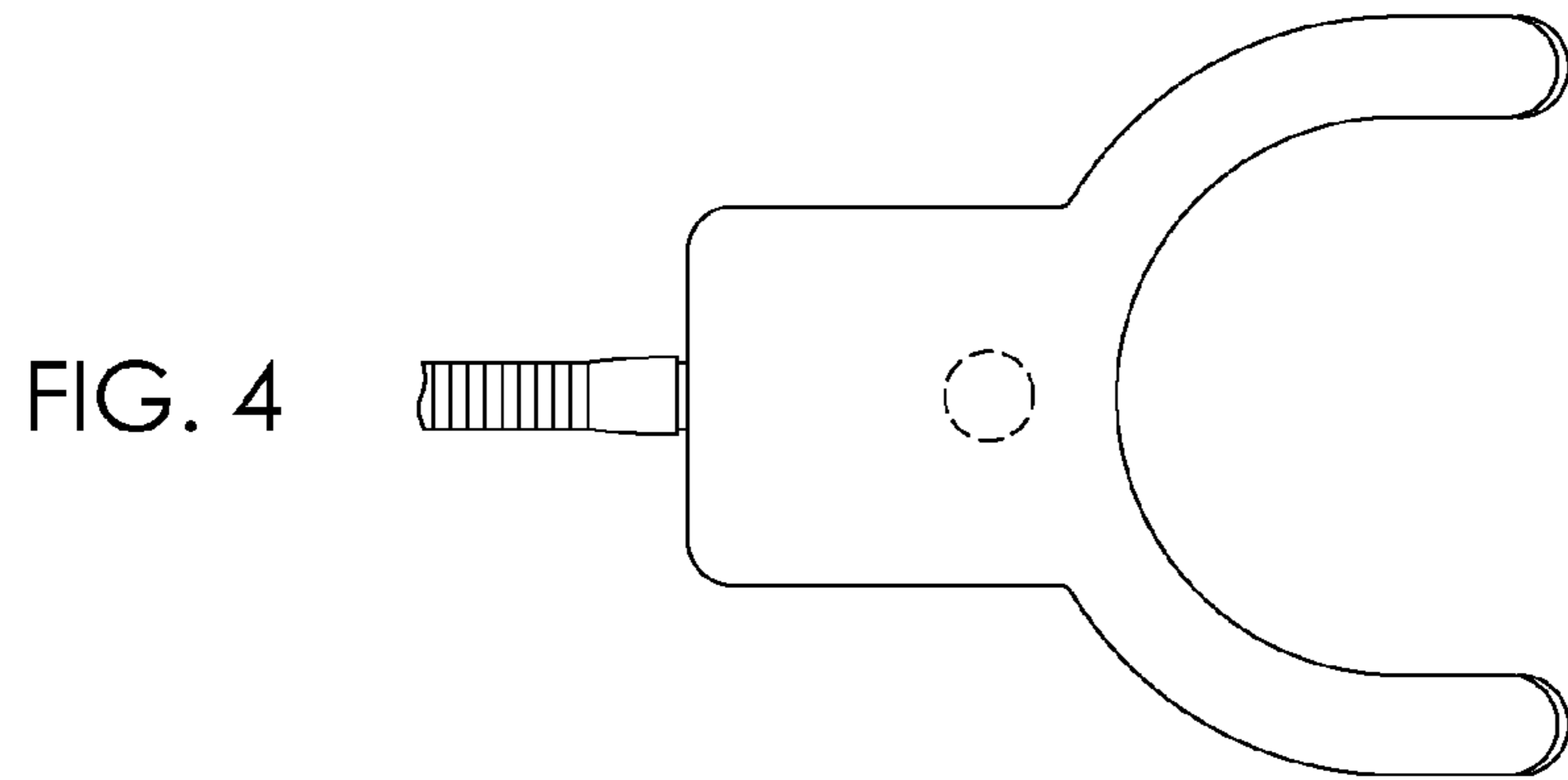


FIG. 8

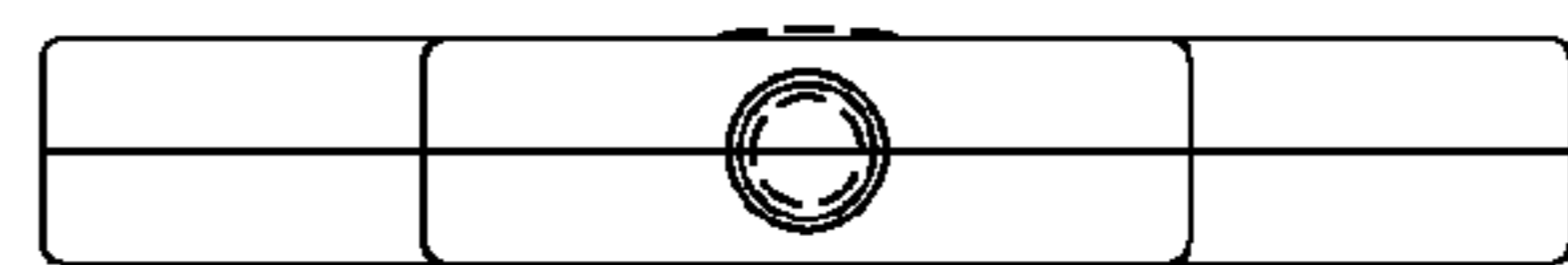


FIG. 9

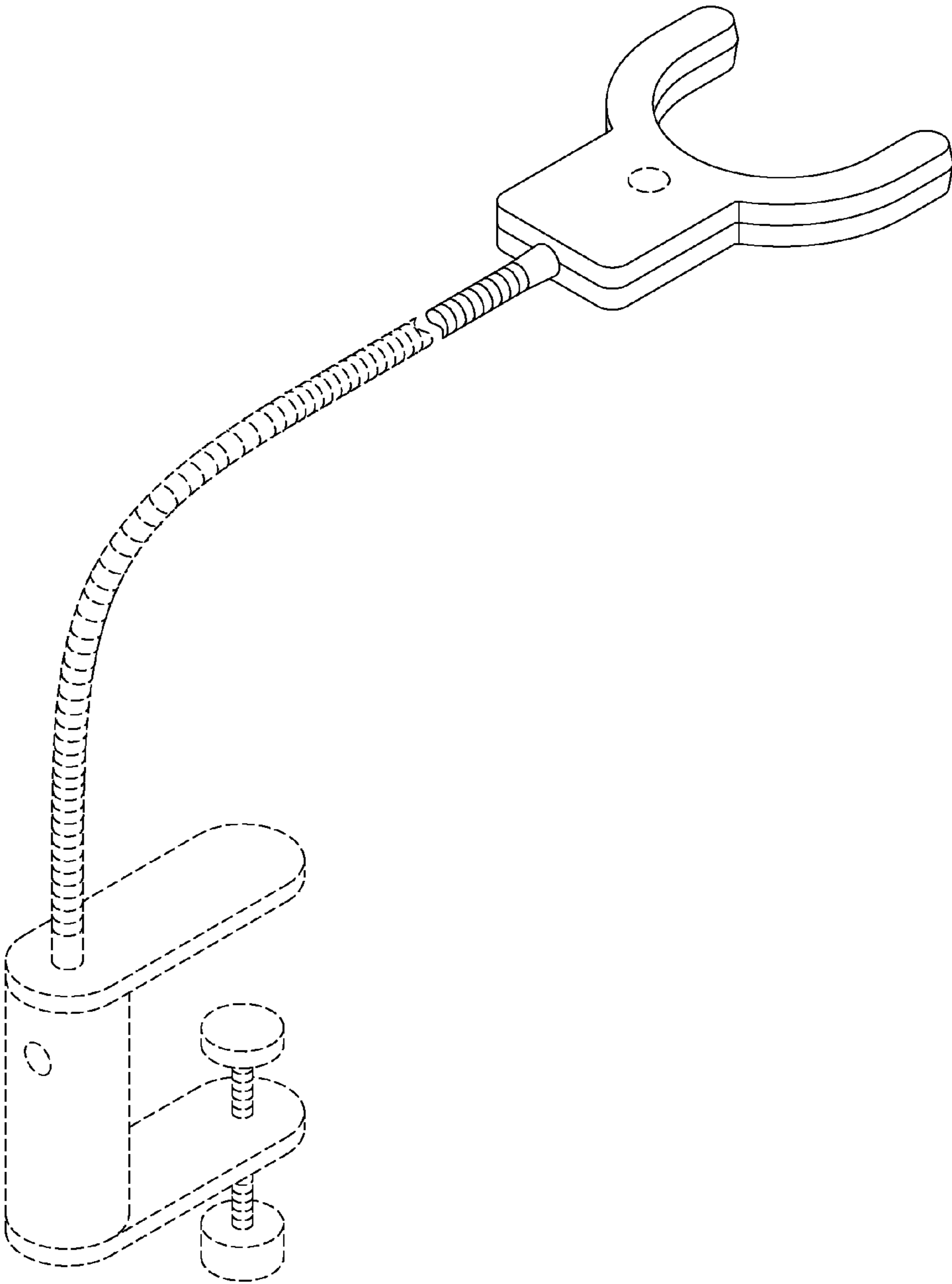


FIG. 10