



US00D676189S

(12) **United States Design Patent**
Lu

(10) **Patent No.:** **US D676,189 S**
(45) **Date of Patent:** **** Feb. 12, 2013**

(54) **LENS**

DESCRIPTION

(75) Inventor: **Dong Lu**, Cary, NC (US)
(73) Assignee: **Cree, Inc.**, Durham, NC (US)
(**) Term: **14 Years**

(21) Appl. No.: **29/407,549**

(22) Filed: **Nov. 30, 2011**

(51) **LOC (9) Cl.** **26-99**

(52) **U.S. Cl.** **D26/120**

(58) **Field of Classification Search** D26/1,
D26/2, 118, 113, 138, 119, 120, 121, 122,
D26/76, 77, 75, 78, 85, 86, 89, 90, 62, 64,
D26/65, 66, 63, 73, 72, 74, 68, 71, 28, 123,
D26/124, 127, 128, 129, 134, 135, 132, 139,
D26/154, 155, 152, 149, 148, 145, 143, 142,
D26/140, 141, 153, 144, 91, 92, 29, 24, 25,
D26/26, 8, 114, 37, 87; 362/202, 347, 349,
362/362, 419, 96, 192, 145, 294, 326, 267,
362/373, 249.01–249.12; D13/102, 179,
D13/180

See application file for complete search history.

(56) **References Cited**

U.S. PATENT DOCUMENTS

D544,110	S	*	6/2007	Hooker et al.	D26/2
D547,889	S	*	7/2007	Huang	D26/28
D561,917	S	*	2/2008	Tsao	D26/2
D566,323	S	*	4/2008	Piegras et al.	D26/123
D584,428	S	*	1/2009	Li et al.	D26/2
D587,832	S	*	3/2009	Bergmann et al.	D26/63
D605,789	S	*	12/2009	Ko	D26/28

(Continued)

Primary Examiner — Kevin Rudzinski

(74) *Attorney, Agent, or Firm* — Dennis J. Williamson;
Moore & Van Allen PLLC

(57) **CLAIM**

I claim the ornamental design for a lens, as shown and described.

FIG. 1 is a front view showing a first embodiment of my new design for a lens where features of surfaces shown in other views may be visible through the transparent material in the given view;

FIG. 2 is a perspective view showing my new design shown in FIG. 1 where features of surfaces shown in other views may be visible through the transparent material in the given view;

FIG. 3 is a back view showing my new design shown in FIG. 1 where features of surfaces shown in other views may be visible through the transparent material in the given view;

FIG. 4 is a right side view showing my new design shown in FIG. 1 where features of surfaces shown in other views may be visible through the transparent material in the given view;

FIG. 5 is a left side view showing my new design shown in FIG. 1 where features of surfaces shown in other views may be visible through the transparent material in the given view;

FIG. 6 is a top view showing my new design shown in FIG. 1 where features of surfaces shown in other views may be visible through the transparent material in the given view;

FIG. 7 is a bottom view showing my new design shown in FIG. 1 where features of surfaces shown in other views may be visible through the transparent material in the given view;

FIG. 8 is a front view showing a second embodiment of my new design for a lens;

FIG. 9 is a perspective view showing my new design shown in FIG. 8;

FIG. 10 is a back view showing my new design shown in FIG. 8;

FIG. 11 is a right side view showing my new design shown in FIG. 8;

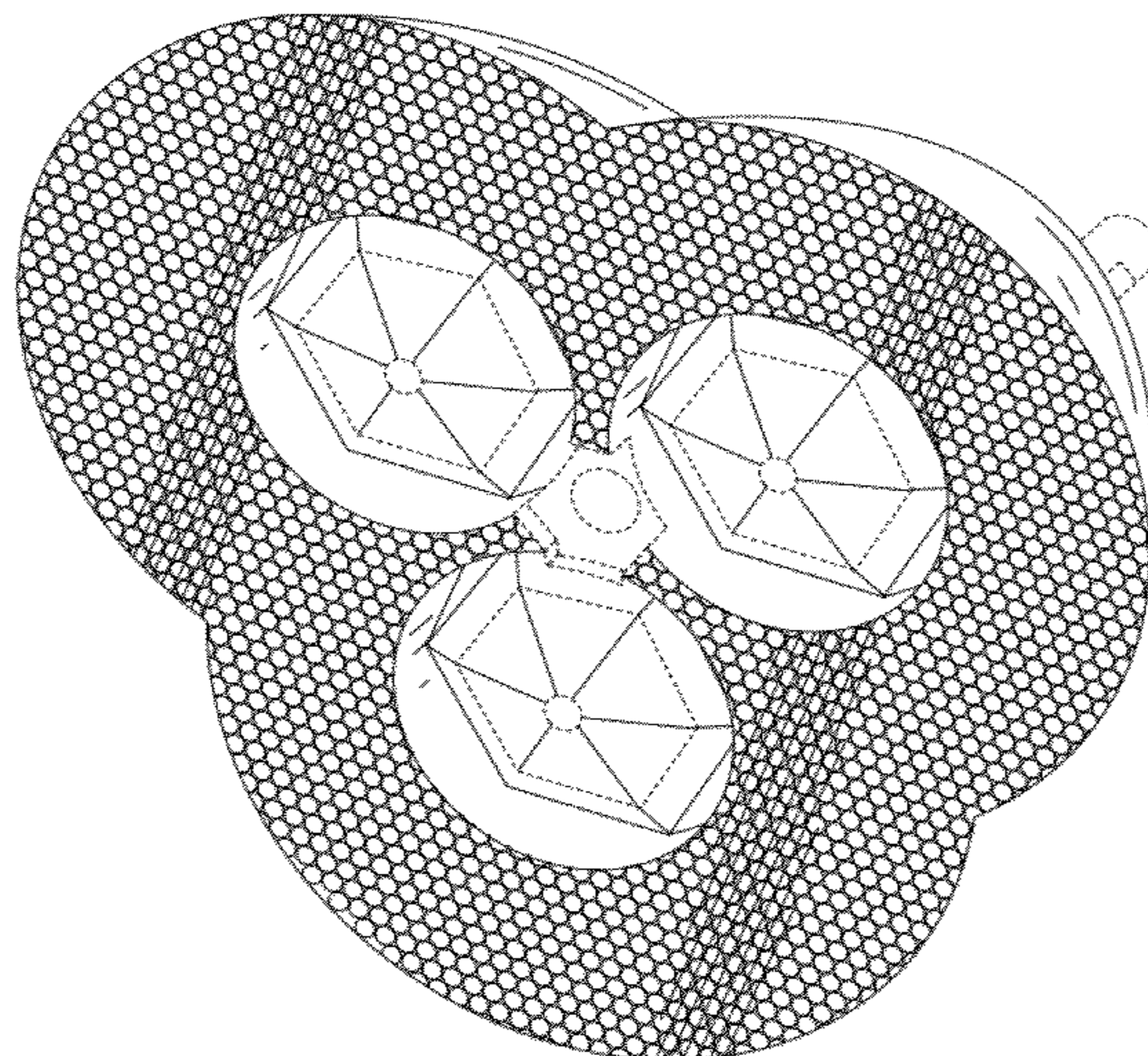
FIG. 12 is a left side view showing my new design shown in FIG. 8;

FIG. 13 is a top view showing my new design shown in FIG. 8; and,

FIG. 14 is a bottom view showing my new design shown in FIG. 8.

The portions shown in broken lines are not part of the claimed design but show the environment in which the design is associated.

1 Claim, 11 Drawing Sheets



US D676,189 S

Page 2

U.S. PATENT DOCUMENTS

D612,956 S *	3/2010	Moon	D26/2	D644,781 S *	9/2011	Kawagoe et al.	D26/120
D613,434 S *	4/2010	Weiss	D26/2	D644,782 S *	9/2011	Kawagoe et al.	D26/120
D615,239 S *	5/2010	Rashidi	D26/118	D645,180 S *	9/2011	Slater	D26/45
D636,926 S *	4/2011	You	D26/123	D645,582 S *	9/2011	Kim et al.	D26/2
D639,498 S *	6/2011	Kawagoe et al.	D26/120	D660,506 S *	5/2012	McMahan	D26/118
D641,504 S *	7/2011	Lin	D26/28	2007/0062032 A1 *	3/2007	Ter-Hovhannissian	29/840
D642,309 S *	7/2011	Huang	D26/28					

* cited by examiner

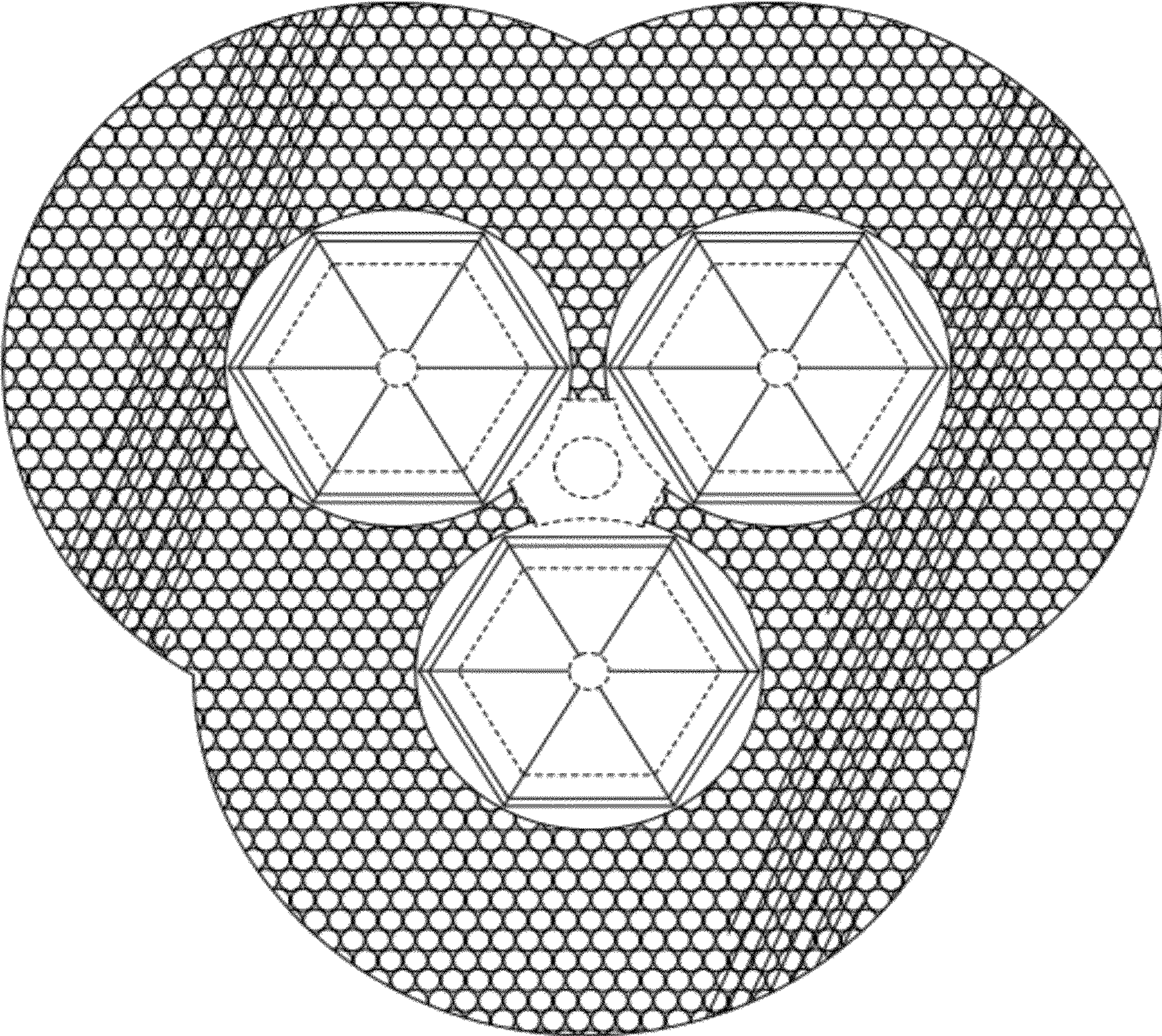


FIG. 1

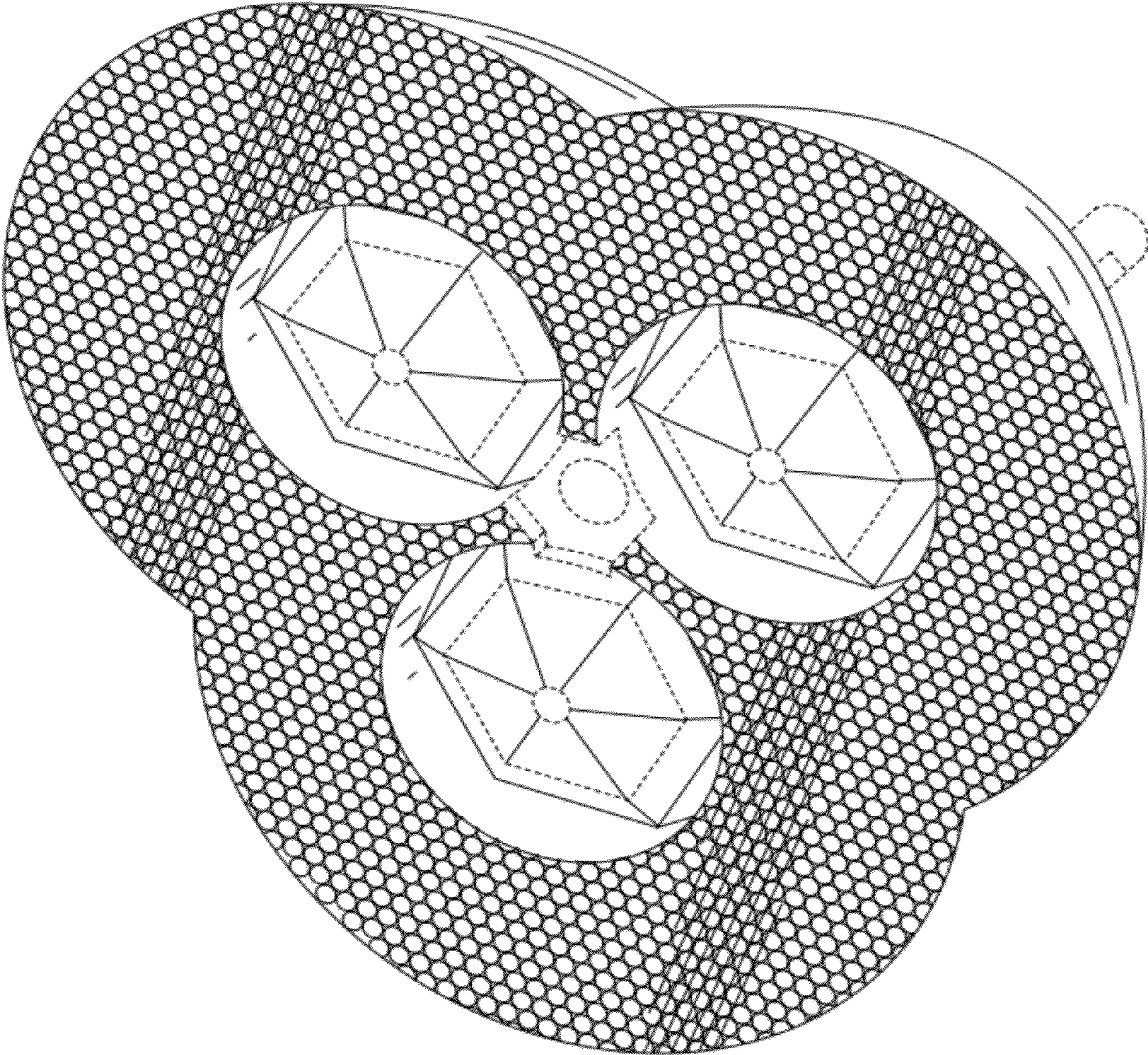


FIG. 2

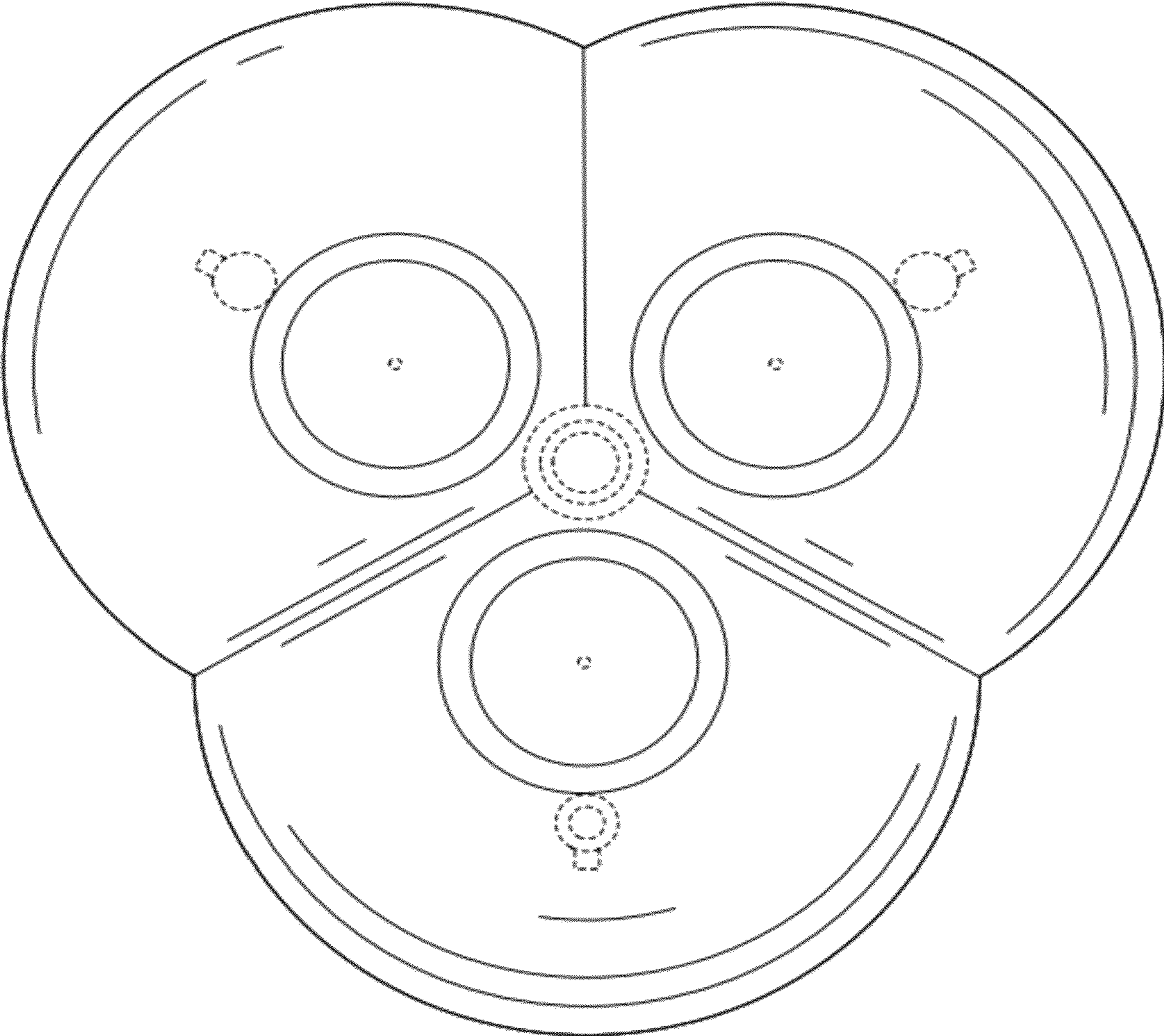


FIG. 3

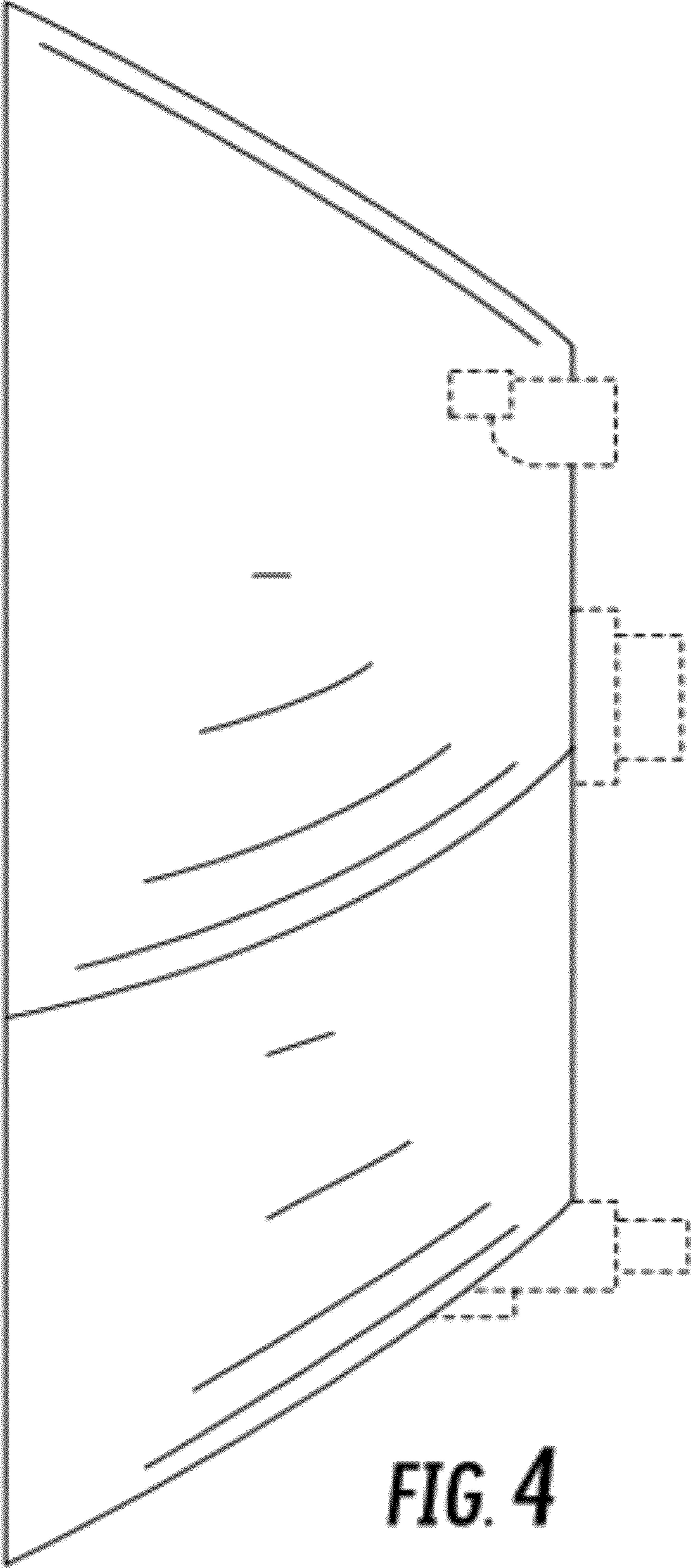


FIG. 4

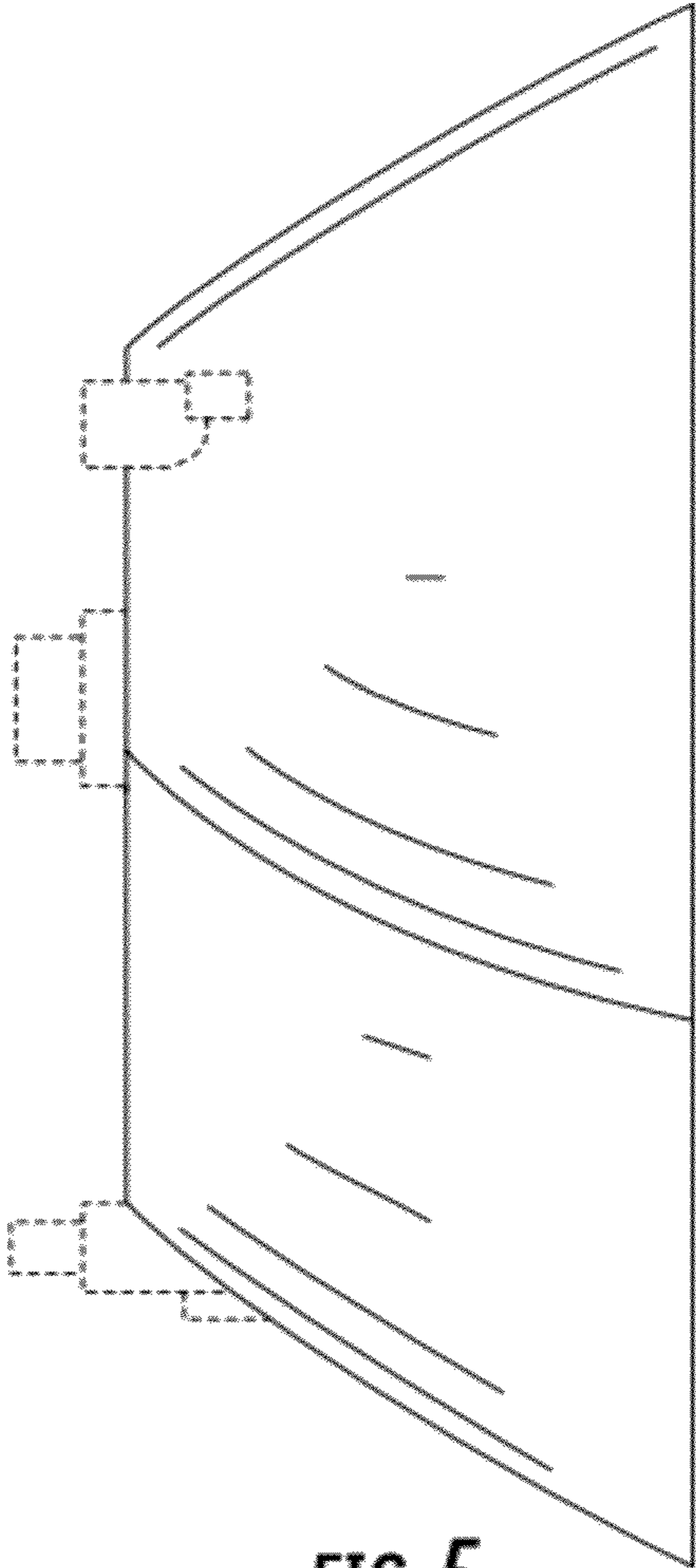


FIG. 5

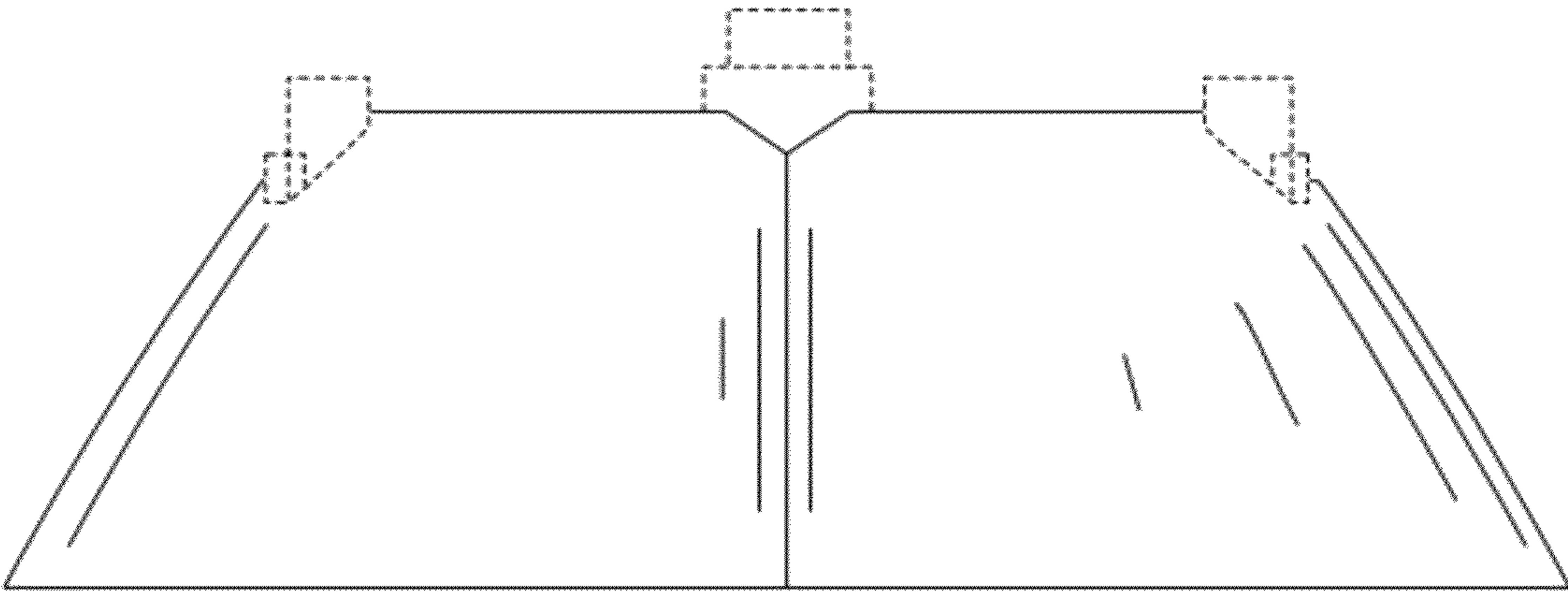


FIG. 6

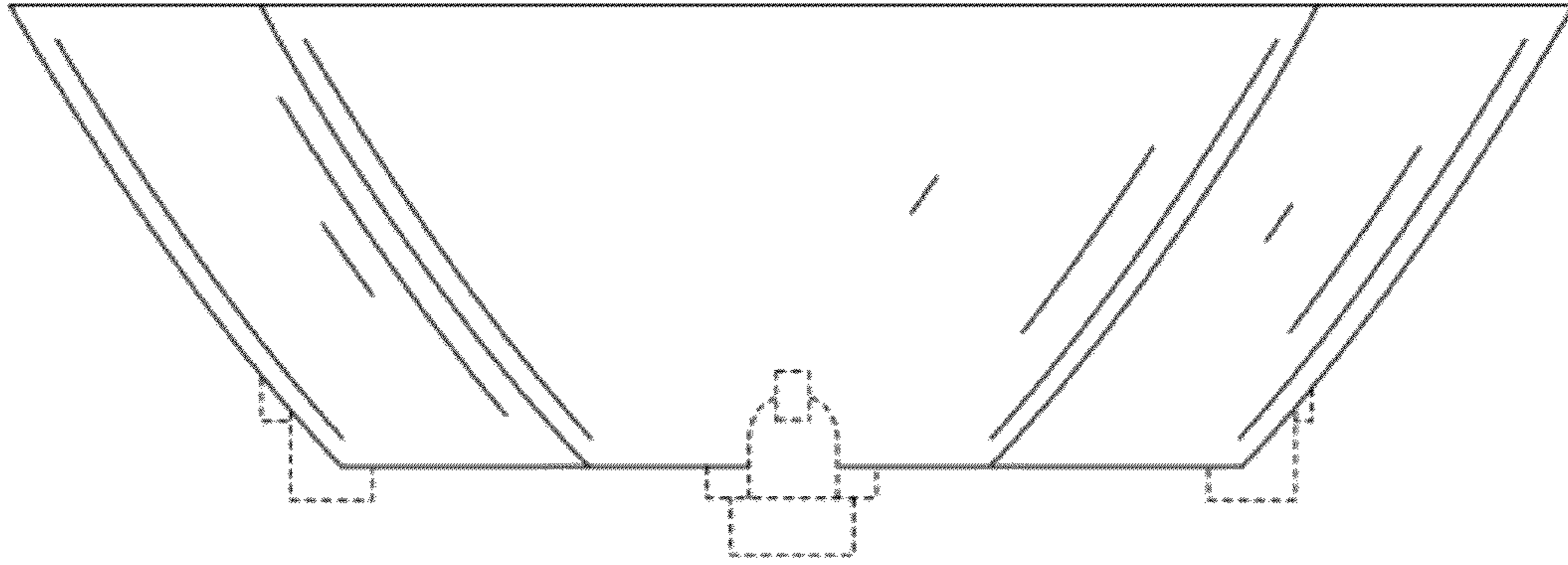


FIG. 7

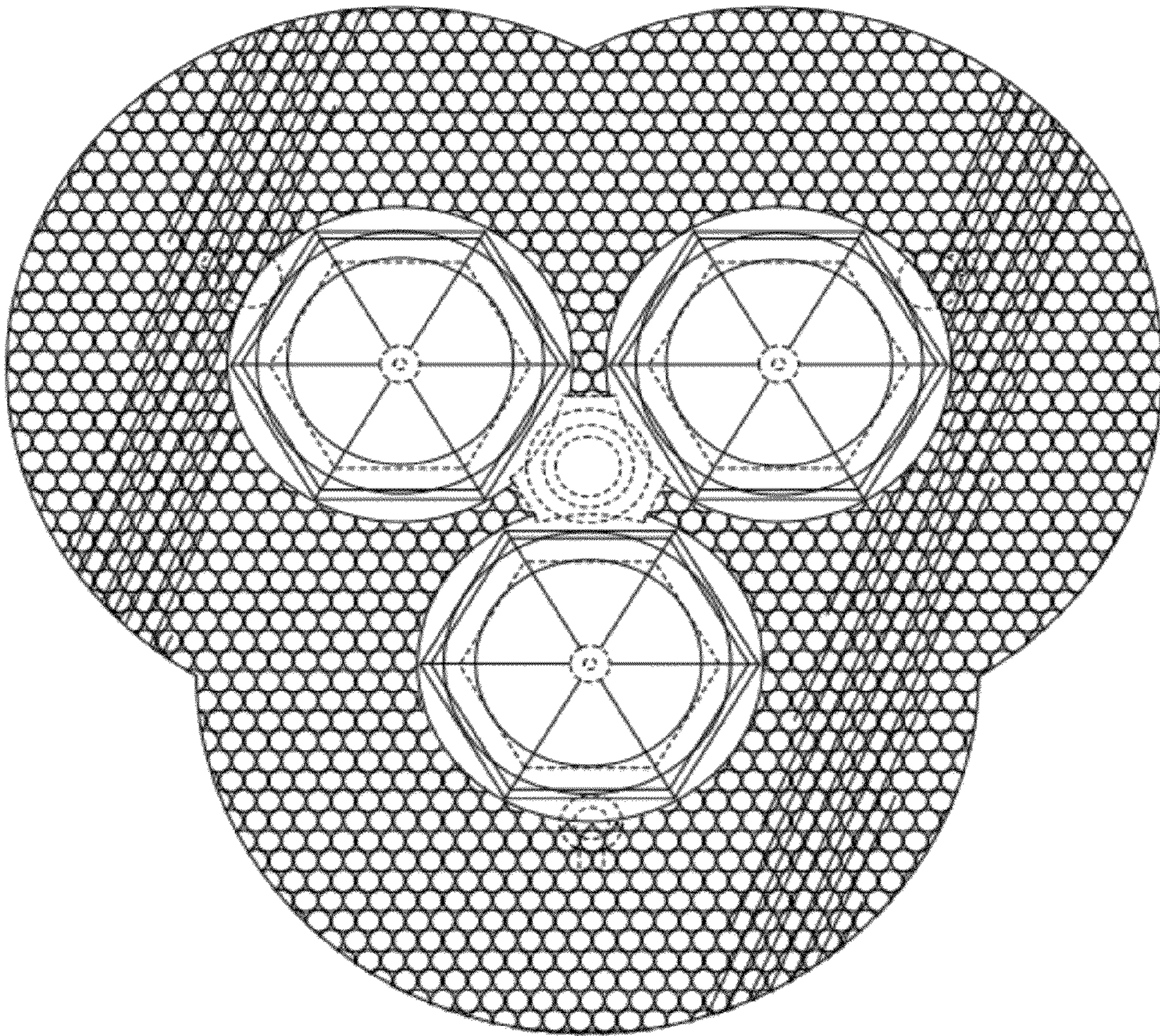


FIG. 8

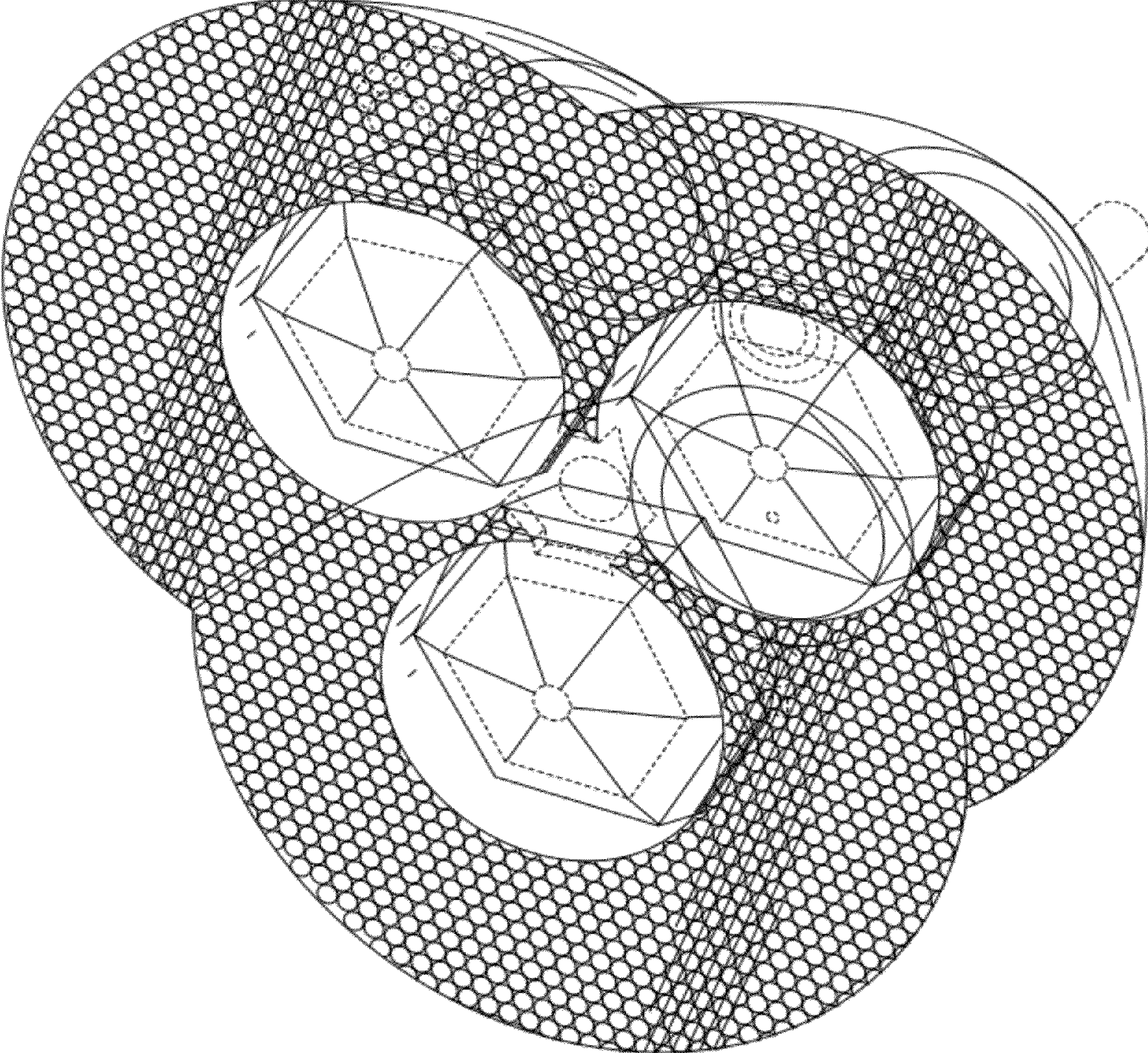


FIG. 9

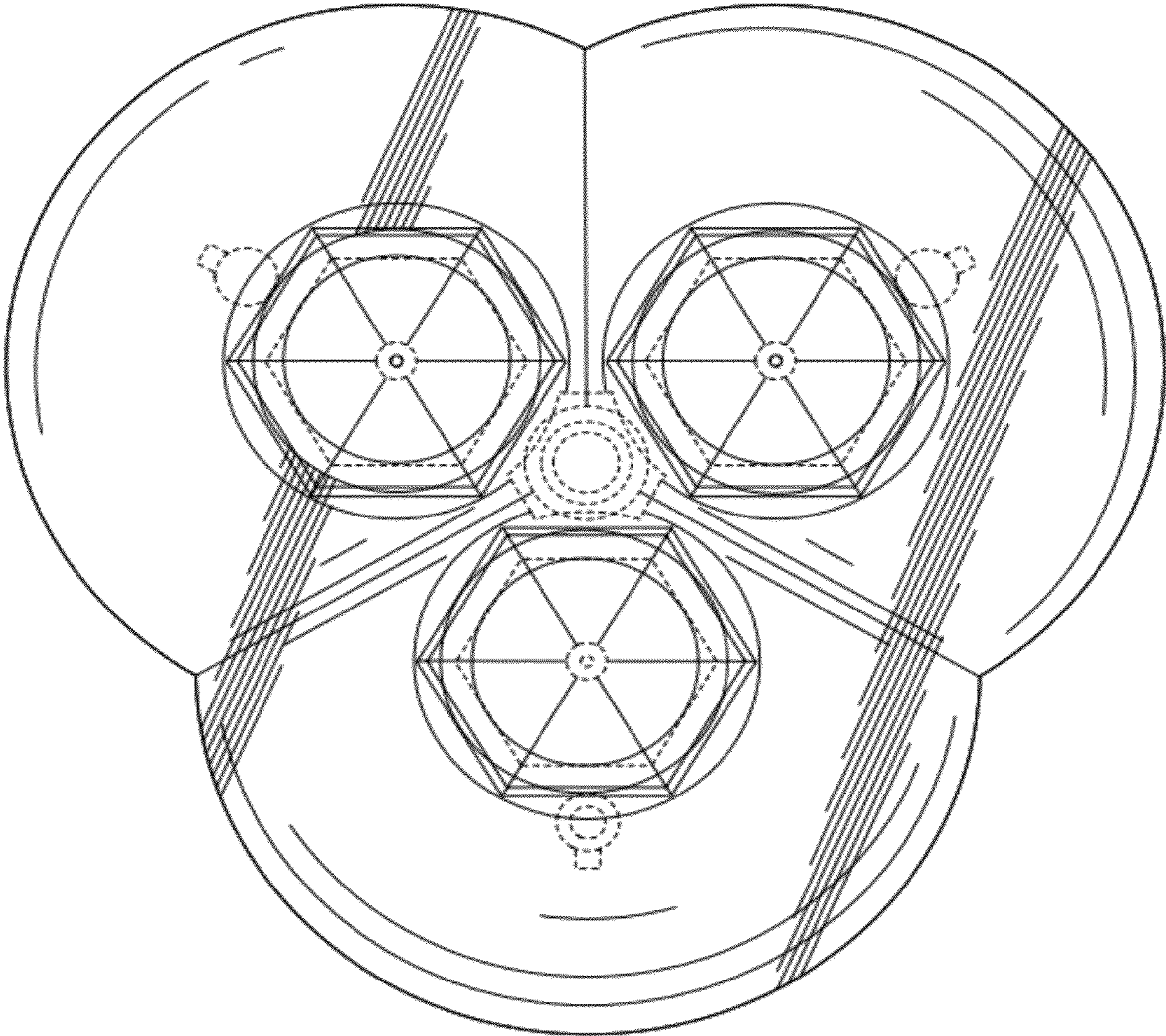


FIG. 10

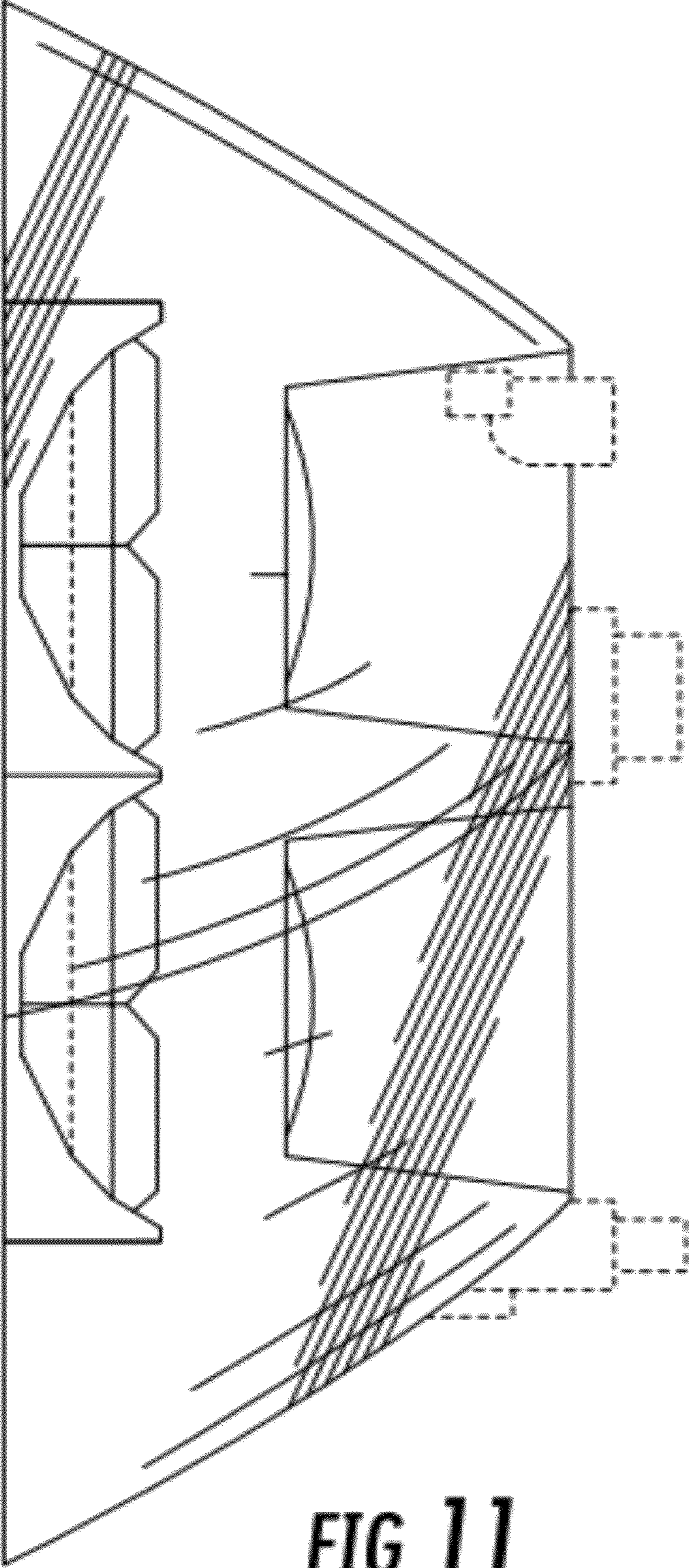


FIG. 11

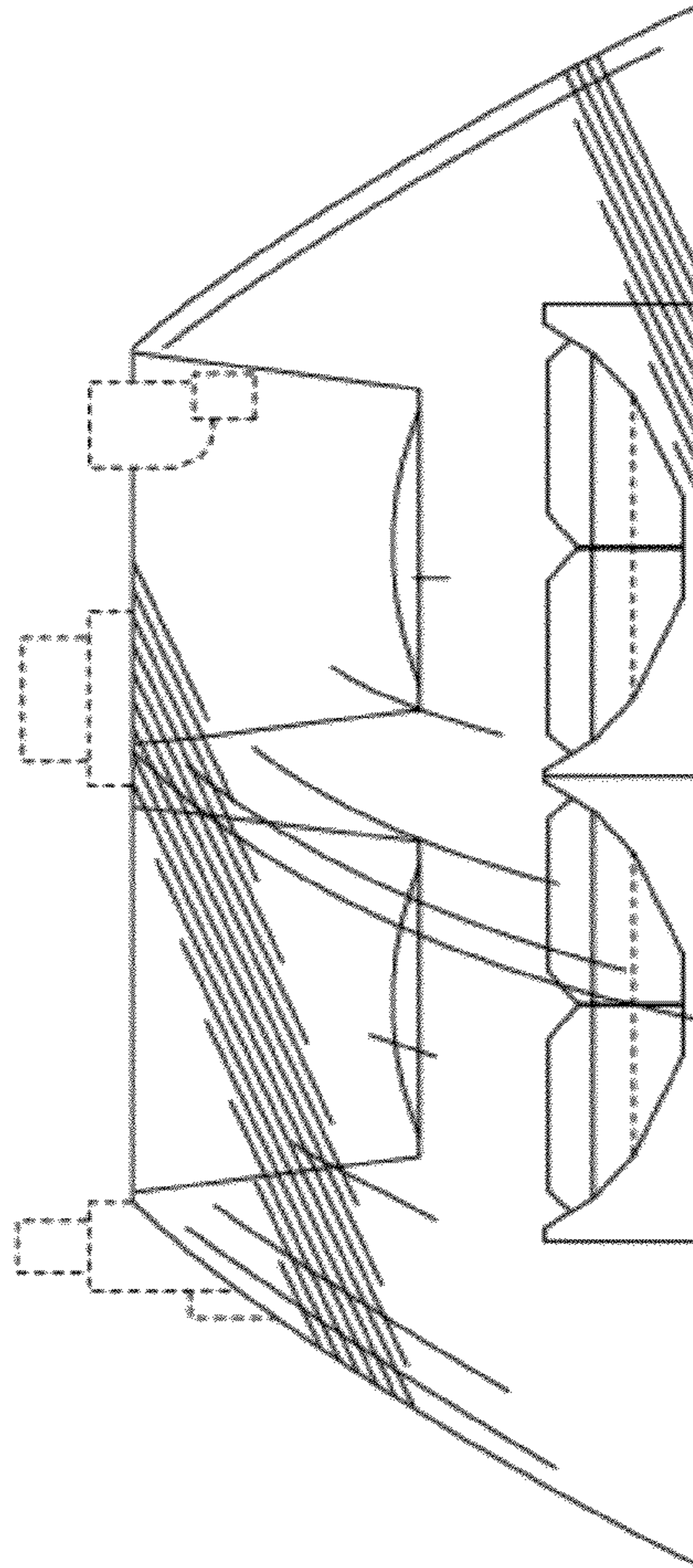


FIG. 12

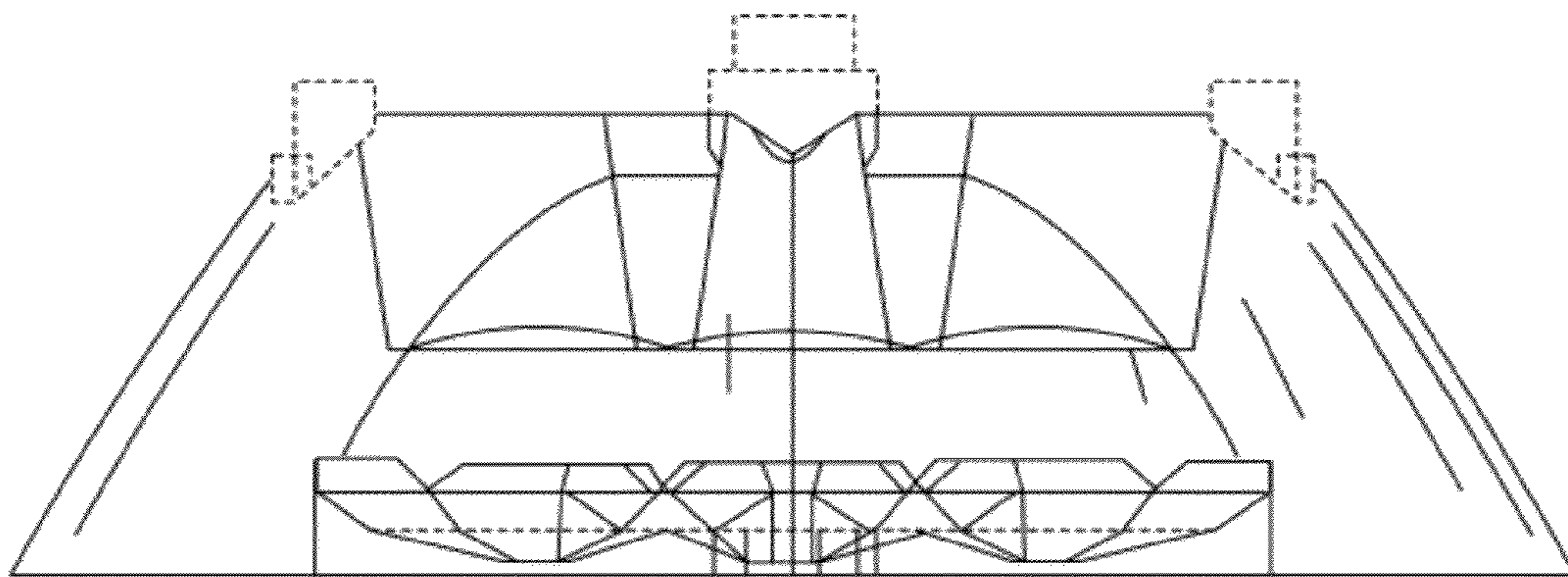


FIG. 13

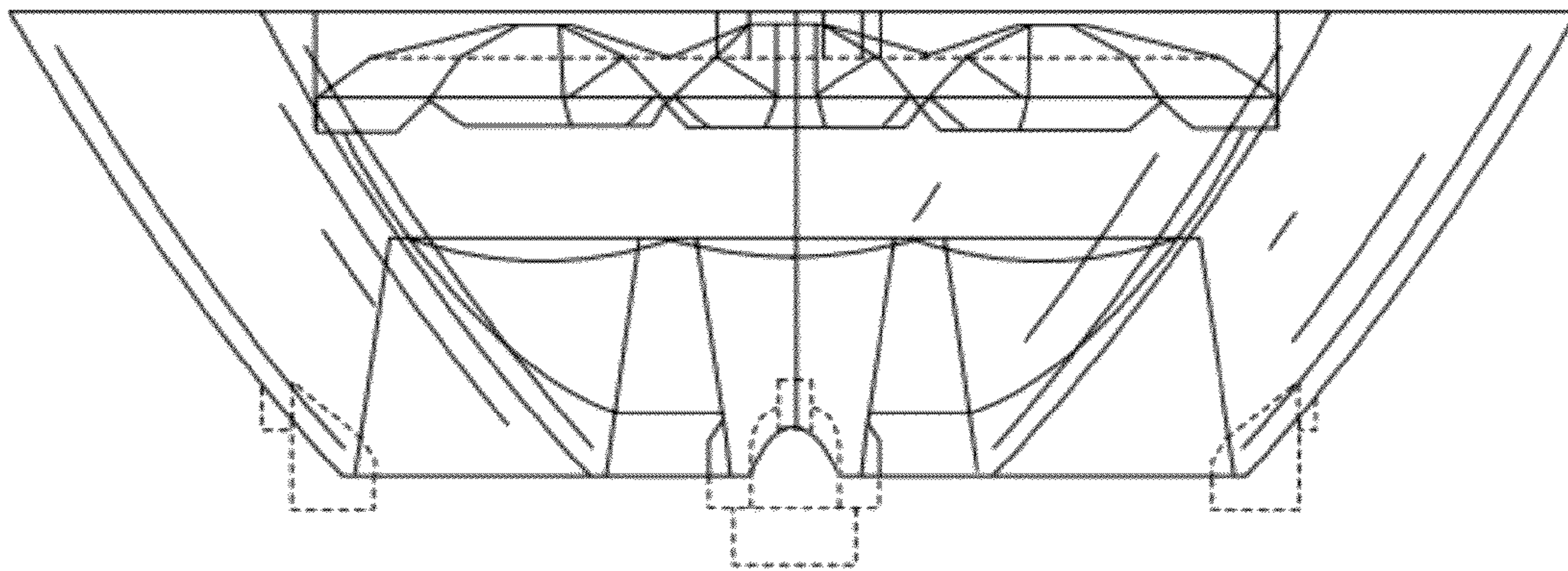


FIG. 14